



**APPLICATION
LISTING**

HOW TO READ TOKICO NO.

B 3090 (Example)

Serial Number

Bore Size

Products	No Alphabet		Bore Size
	No Alphabet	Hydraulic Shock Absorber	1000~6000 20000
	A	Suspension Strut (Oil type)	1000~4000
	B	Suspension Strut (Gas type)	1000~4000
	E	Twin Tube Shock Absorber (Gas type)	1000~4000 20000
	●EL	Compressed Twin Tube Shock Absorber with Locking Device (Gas type)	2000~3000
	●G	Mono Tube Gas Shock Absorber	1000~3000
	Q	Coil Over Type Shock Absorber (Oil type)	1000~3000
	S	Strut Cartridge (Oil type)	1000~4000
	SD	Steering Damper	1000~3000
	U	Coil Over Type Shock Absorber (Gas type)	1000~4000
	●X	Coil Over Type Mono Tube Shock Absorber (Gas type)	2000~3000
	Z	Strut Cartridge (Gas type)	1000~4000

NOTE: ●mark: Discontinued Items, service number shows with () on NUMERICAL LISTING(STOCK NO.) start from page 179.

NEW ADDITIONS

TOKICO NO.	MANUFACTURER	VEHICLE		TOKICO NO.	MANUFACTURER	VEHICLE	
B2292	HONDA	CITY	63	E4131	TOYOTA	LAND CRUISER	170
B2293	HONDA	CITY	63	E4132	TOYOTA	LAND CRUISER	170
B3299	HONDA	CR-V	66	E4133	TOYOTA	LAND CRUISER	170
B3300	HONDA	CR-V	66	U3805	TOYOTA	COROLLA/ALTIS(ASIA/INDIA)	151
E20015	HONDA	ACCORD/VIGOR	63	U3825	TOYOTA	CROWN	159
U3823	HONDA	CR-V	66	U3826	TOYOTA	CRESSIDA/MARK II/CHASER/CRESTA	158
U3834	HONDA	CR-V	66	U3828	TOYOTA	COROLLA	152
E3407	MITSUBISHI	CANTER	92			COROLLA VERSO	152
E3815	NISSAN	NAVARA	112	U3835	TOYOTA	COROLLA	152
E3816	NISSAN	NAVARA	112				
E3817	NISSAN	NAVARA	112				
U3813	NISSAN	NAVARA	112				
U3814	NISSAN	NAVARA	112				
3819	TOYOTA	DYNA/TOYOACE	161				
3820	TOYOTA	DYNA/TOYOACE	162				
3821	TOYOTA	DYNA/TOYOACE	161				
3822	TOYOTA	DYNA/TOYOACE	161				
4134	TOYOTA	DYNA/TOYOACE	161				
B2244	TOYOTA	RAUM	172				
		YARIS VERSO/FUN CARGO	177				
B2294	TOYOTA	OPA	171				
B2295	TOYOTA	OPA	171				
B2296	TOYOTA	RAUM	172				
B2297	TOYOTA	RAUM	172				
B2298	TOYOTA	bB/SCIONxB	140				
B2299	TOYOTA	COROLLA	151				
B2300	TOYOTA	COROLLA	151				
B3271	TOYOTA	COROLLA/ALTIS(ASIA/INDIA)	151				
B3272	TOYOTA	COROLLA/ALTIS(ASIA/INDIA)	151				
B3281	TOYOTA	IST	167				
B3282	TOYOTA	IST	167				
B3287	TOYOTA	COROLLA	152				
B3288	TOYOTA	COROLLA	152				
B3289	TOYOTA	COROLLA	152				
B3290	TOYOTA	COROLLA	152				
B3291	TOYOTA	PREMIO/ALLION	171				
B3292	TOYOTA	PREMIO/ALLION	171				
B3293	TOYOTA	IST	167				
B3294	TOYOTA	IST	167				
B3301	TOYOTA	COROLLA	152				
B3302	TOYOTA	COROLLA	152				
E20014	TOYOTA	CORONA/CALDINA	155				
E3810	TOYOTA	HILUX SURF/4-RUNNER	166				
		LAND CRUISER PRADO	170				
E3811	TOYOTA	LAND CRUISER PRADO	170				
E3824	TOYOTA	RAV-4	173				
E4129	TOYOTA	LAND CRUISER	168				
E4130	TOYOTA	LAND CRUISER	168				

SHOCK ABSORBERS LISTINGS BY MAKE & MODEL

CHRYSLER

300M	48
Concorde	48
LHS	48
NEON(exc Pers Susp)	48
PT CRUISER	48

DAIHATSU

APPLAUSE	50
CHARADE	50
CHARMANT	50
CONSORTE	51
CUORE	51
DELTA	51-52
DELTA 750	52
DELTA WIDE	52
DOMINO	51
ESPASS	52
F-70	52
FELLOW MAX	52
HIJET	53
LEEZA	53-54
MAX CUORE	52
MIRA CUORE	51
MOVE	51
SIRION	54
STORIA	54
TAFT	54
TAFT GT	52
TARUNA	54
TERIOS	54
XENIA	54
YRV	54
ZEBRA	54

FORD

CONTOUR	56
CROWN VIC	56
CURRENT WINDSTAR	56
ESCAPE	56
ESCORT(Exc Coupe)	56
EVEREST	56
EXPLORER(Exc Sport)	56
FREESTAR	56
MUSTANG	56

HINO

BUS	58
RANGER	58
TRUCK	59-60

HONDA

ACCORD	62-63
ACCORD AERODECK	63
ACCORD COUPE	63
BALLADE	63
BALLADE SPORTS(CR-X)	63
CITY	63
CIVIC	63-64
CIVIC (Hatchback/Sedan)	64
CIVIC FERIO	65
CIVIC PRO	65
CIVIC SHUTTLE	65
CIVIC(GRAND CIVIC)	65
CIVIC(SPORTS CIVIC)	65-66
CIVIC(WONDER CIVIC)	66
CONCERTO	66
CR-V	66
CR-X	67
FIT	67-68
FIT ARIA	67
INTEGRA	68
JAZZ	67-68
PRELUDE	68
VIGOR	63,68

ISUZU

ASKA	70
BRAVA	72
BUS	70
CABIN DAMPER	70
CAMBO	72
D-MAX	70
ELF	70-71
ELF(4WD)	71
ELF150	71
ELF250	71
"ELF250 WIDE,350"	71-72
FARGO	72
FASTER	72
GEMINI	73
HIGHPACK VAN	73
HI-LANDER	73
JOURNEY(LIGHT BUS)	73
LIGHT ELF	71
MIDI	72
PANTHER	73
RODEO	70,72
RODEO BIG HORN	73-74
SETA	72
TFR	70
TFS	70
TROOPER	72-74
TRUCK	74-75

JEEP

GRAND CHEROKEE	78
----------------	----

KIA

BESTA	80
-------	----

MAZDA

323	83-86
616	82
626	82-83,88
808	89
929	86
FORD FREDA	82
323F	85
ASTINA	85
ATENZA	87-88
AXELA	87
AZ-3	88
BONGO	82
BONGO BONDY	82
BONGO FORD J80	82
BRAWNY	82
CAPELLA	82-83
CRONOS	82-83
CX-7	83
CX-9	83
DEMIO	83
E2000,E2300,E2500	83
EUNOS500	83
FAMILIA	83-86
FORD ESCAPE	89
FORD J100	86
FORD J80	86
FORD LASER	85-86
FORD MAVERICK	89
FORD RANGER	87
FORD TELSTAR	82-83
FRIENDEE	82
GRAND FAMILIA	89
LANTIS	85
LIATA	85
LUCE	86
MAZDA 2	83
MAZDA 3	87
MAZDA 6	87-88
MAZDA 8	88

MAZDA FIGHTER(BT50)	87
MIATA	88
MILLENIUM	88
MPV	88
MX-3	88
MX-5	88
MX-6	82-83
NEW MILLENIUM	88
PREMACY	88
PRESSO	88
PROBE	88
PROCEED	88-89
PROTEGE	85
ROADSTER	88
RX-3	89
RX-4	86
SAVANNA	89
SPECTRON	82,86
TITAN	89
TITAN CABIN DAMPER	89
TITAN WALK THROUGH	89
TRIBUTE	89
XEDOS6	83

MITSUBISHI

ADVENTURE	92
BUS	92
CANTER	92-93
CHALLENGER	100
COLT	93,96-97
COLT GALANT	93
CORDIA	101
DELICA	95-96
ECLIPSE	93
FORTE	95
GALANT	93-95
GALANT LAMBDA	93
GALANT LAMBDA ETERNA	94
GALANT SIGMA ETERNA	94
JEEP	95
L200	95
L200(PICKUP)	101
L300	95-96
L400	96
LANCER	96-99
LANCER (MADE IN THAILAND ONLY)	96
LANCER CEDIA	97-98
LANCER CELESTE	96
LANCER ESTATE	96
LANCER EX	98-99
LANCER FIORE	99
LANCER MIRAGE HATCHBACK	96
LANCER VAN	99
LEGNUM	94
MAGNA	94-95
MINICAB	99
MIRAGE	96-97,99
MIRAGE HATCHBACK	99
MIRAGE SALOON	99
MIRAGE SEDAN	99
MIRAGE VAN	99
MIRAGE II	99
MITSUBISHI FUSO CABIN DAMPER	99
MONTERO	100
MONTERO IO	99
MONTERO SPORT	100
PAJERO	100
PAJERO IO	99
PAJERO PININ	99
PAJERO SPORT	100
RIBERO	96
ROSA(MICRO BUS)	100
SHOGUN	100
SIGMA	94-95
SPACE GEAR	96
STARION	100

SHOCK ABSORBERS LISTINGS BY MAKE & MODEL

TA.....	100
TREDIA.....	101
TRITON.....	95,101
TRUCK.....	101

NISSAN

810.....	107-108
AD WAGON VAN.....	116-117
ALMERA.....	119-121
ATLAS.....	104
AUSTER.....	115-116
AVENIR.....	104
BASSARA.....	113
BISON.....	109
BLUEBIRD.....	104-106
BLUEBIRD WAGON.....	104
CABALL.....	109
CABSTAR.....	106
CARAVAN.....	106
CEDRIC.....	106-107
CEFIRO.....	107-108
CHERRY.....	108
CIVILIAN.....	108-109
CLIPPER.....	108-109
CLIPPER(LIGHT COACH MICRO BUS).....	109
DATSUN AD VAN.....	118
DATSUN PICKUP.....	109-110
DATSUN TRUCK.....	109-110
EXA.....	114
GLORIA.....	106-107
HOMER.....	106
HOMY.....	106
INFINITY 130.....	107-108
JUNIOR.....	110
LAFESTA.....	110
LANGLEY.....	113-114
LARGO.....	111
LAUREL.....	111
LAUREL SPIRIT.....	117
LEOPARD.....	111-112
LIBERTA VILLA.....	114
MARCH.....	112
MAXIMA.....	107-108
MICRA.....	112
MILER.....	112
MISTRAL.....	121
NAVARA.....	112
NOMADO.....	121
PATH FINDER.....	121
PATROL.....	112-113
PRAIRIE.....	113
PRESAGE.....	113
PRIMERA.....	113
PRIMERA WAGON.....	104
PULSAR.....	113-114,118
SAFARI.....	112-113
SENTRA.....	118-121
SERENA.....	115
STANZA.....	115-116
SUNNY.....	117-121
SUNNY CAB.....	108
SUNNY TRAVELLER.....	116-117
SUNNY TRUCK.....	117
TERRANO.....	121
TERRANO II.....	121
VANETTE(SUNNY/CHERRY/DATSUN).....	121
VIOLET.....	115-116
WINGROAD.....	117
X-TRAIL.....	121

NISSAN DIESEL

BUS.....	124
TRUCK.....	124

PERODUA

KANCIL.....	126
-------------	-----

PROTON

MPI.....	128
PERSONA.....	128
SAGA.....	128
SATRIA(300/400).....	128
SATRIA(300/400/COUPE).....	128
SATRIA(400).....	128
WIRA.....	128

SUBARU

IMPREZA.....	130
JUSTY,J SERIES.....	130
SUBARU E (DOMINGO).....	130
SUBARU1300/1600/1800(L).....	130
SUBARU1300/1600/1800(RHD).....	130-131
SUBARU1600/1800(LHD).....	131

SUZUKI

ALTO.....	134
APV.....	134
CARRY.....	134-135
CERVO.....	135
CHEVROLET CRUZE.....	135
CULTUS.....	135
CULTUS CLESENT.....	136
ESCUDO.....	136
EVERY.....	135
FRONTE.....	136
FUTURA.....	136
GRAND ESCUDO.....	136
GRAND VITARA XL-7.....	136
IGNIS.....	135
JIMNY.....	136
MIGHTY BOY.....	136
RB413.....	137
SE416.....	136
SH410.....	134
SQ416.....	136
SQ420.....	136
SQ425.....	136
SR410.....	137
SR412.....	137
SV420.....	136
SV620.....	136
SWIFT.....	137
VITARA.....	136
WAGON R.....	137
WAGON R PLUS.....	137
X90.....	136

TOYOTA

4-RUNNER.....	166
ALLION.....	171
ALTIS(ASIA/INDIA).....	150-151
AURIS.....	140
AVALON.....	142-144
AVANZA.....	140
AVENSIS.....	140
AVENSIS VERSO.....	167
bB.....	140
BLIZZARD.....	140
BUS.....	176
CALDINA.....	155-156
CAMRY.....	141-144
CAMRY (FF).....	140-141
CAMRY GRACIA.....	141-142
CARINA.....	144
CARINA ED.....	144
CARINA Σ.....	156-157
CARINA(FF).....	145
CELICA.....	145-146
CELICA CAMRY.....	146
CHASER.....	157-158
COASTER.....	146
COMMUTER.....	147

COROLLA.....	147-152
COROLLA LEVIN.....	149-150
COROLLA VERSO.....	152
COROLLA II.....	174-175
CORONA.....	140,152-157
CORONA(FF).....	154
CORONA(FF)COUPE.....	155
CORSA.....	174-175
CRESSIDA.....	157-158
CRESTA.....	157-158
CROWN.....	158-159
CROWN COMFORT(TAXI).....	159
DYNA.....	160-162
ECHO.....	178
FORTUNER.....	166-167
FUN CARGO.....	177
HARRIER.....	162
HI ACE(Incl.VAN,WAGON,COMMUTER).....	162-164
HIGHLANDER.....	164
HILUX.....	164-166
HILUX SURF.....	166
HILUX VIGO.....	166-167
IPSUM.....	167
IST.....	167
KIJANG.....	167
KIJANG CAPSUL.....	167
KIJANG GRAND EXTRA.....	167
KIJANG INNOVA.....	167
KIJANG SUPER.....	167
KLUGER.....	164
LAND CRUISER.....	167-170
LAND CRUISER PRADO.....	170
LEXUS.....	171
LEXUS ES300(WINDOM).....	142-144
LEXUS(RX300/RX330).....	162
LIGHT ACE.....	171
LIGHT ACE (TRUCK).....	176
LIGHT ACE NOAH.....	175
MARK II.....	157-158
MASSY DYNA.....	171
MASTER ACE•SURF.....	171
OPA.....	171
PLATZ.....	178
PREMIO.....	171
PRIUS.....	171-172
PUBLICA.....	172
RAUM.....	172
RAV-4.....	172-173
SCEPTER.....	142-144
SCIONxB.....	140
SOLUNA VIOS.....	176-177
SPACIA.....	175
SPACIO.....	150
SPRINTER.....	147-149
SPRINTER CARIB.....	"150,173"
SPRINTER TRUENO.....	149-150
STARLET.....	173-174
STOUT.....	174
TAMARAW.....	167
TERCEL.....	174-175
TOWN ACE.....	175-176
TOWN ACE NOAH.....	175
TOYO ACE.....	160-162,176
TRUCK.....	176
VIENTA.....	142-144
VIOS.....	176-177
VISTA.....	177
VISTA ARDEO.....	177
VISTA(FF).....	140-141
VITZ.....	177-178
YARIS.....	177-178
YARIS VERSO.....	177

CHRYSLER

300M.....	48
Concorde	48
LHS	48
NEON(exc Pers Susp)	48
PT CRUISER.....	48

CHRYSLER



YEAR	MODEL (Make-Name)	FRONT				REAR			
		TOKICO NO. OIL	GAS		OEM NO.	TOKICO NO. OIL	GAS		OEM NO.

300M/Concorde/LHS

98~02	LH	R			04782012AD	04782012AF			04895000AC	04895000AE
		L			04782013AD	04782013AF				

NEON(exc Pers Susp)

00~05	PL				04656174AE		R		04656354AD	
							L		04656355AD	

PT CRUISER

01~07	PT				04656459AC	04656459AD			04656439AH	
-------	----	--	--	--	------------	------------	--	--	------------	--

CHRYSLER

DAIHATSU

FORD

HINO

HONDA

ISUZU

JEEP

KIA

MAZDA

○ Eying
⊥ Upper Bolt

◎ Bushing
T Lower Bolt

⊗ XPin Type Bushing
⊞ Suspension Strut

⊕ Coil Over Type
⊏ Strut Cartridge

DAIHATSU

APPLAUSE	50
CHARADE	50
CHARMANT	50
CONSORTE	51
CUORE	51
DELTA	51-52
DELTA 750	52
DELTA WIDE	52
DOMINO	51
ESPASS	52
F-70	52
FELLOW MAX	52
HIJET	53
LEEZA	53-54
MAX CUORE	52
MIRA CUORE	51
MOVE	51
SIRION	54
STORIA	54
TAFT	54
TAFT GT	52
TARUNA	54
TERIOS	54
XENIA	54
YRV	54
ZEBRA	54

DAIHATSU



YEAR	MODEL (Make-Name)	FRONT					REAR				
		TOKICO NO. OIL	TOKICO NO. GAS		OEM NO.		TOKICO NO. OIL	TOKICO NO. GAS		OEM NO.	

APPLAUSE

89/06~97/09	A101	R	A1070	●B1070	⊕	48510-87104 48510-87108	48510-87105 48510-87109						
		L	A1071	●B1071	⊕	48520-87101 48520-87105	48520-87102 48520-87106						
89/06~97/09	A101	R	A1070	●B1070	⊕	48510-87106 48510-87114 48510-87118	48510-87111 48510-87117						
		L	A1071	●B1071	⊕	48520-87103 48520-87111 48520-87115	48520-87108 48520-87114						
90/10~97/09	A101	R	A1070	●B1070	⊕	48510-87113	48510-87116						
		L	A1071	●B1071	⊕	48520-87110	48520-87113						
89/06~97/09	A111(4WD)	R	A1070	●B1070	⊕	48510-87107 48510-87110	48510-87112 48510-87115	R	A1072	●B1072	⊕	48530-87105	48530-87108
		L	A1071	●B1071	⊕	48520-87104 48520-87107	48520-87109 48520-87112	L	A1073	●B1073	⊕	48540-87105	48540-87108

CHARADE

83/01~86/12	G11,V,G30,V(Incl.Van,Excl.TX,TS,CX,Turbo)	R	A1052	●B1052	⊕	48510-87715		1165	E1165	⊥	48530-87710	48530-87713	
		L	A1053	●B1053	⊕	48520-87715				⊙	48530-87712		
83/01~86/12	G11,G30,(TX,TS,CX)	R	A1052	●B1052	⊕	48510-87716		1165	E1165	⊥	48530-87710	48530-87713	
		L	A1053	●B1053	⊕	48520-87716				⊙	48530-87712		
83/09~86/12	G11,G30,(Turbo,DETOMASO Turbo)G26 (926 Turbo)	R	A1052	●B1052	⊕	48510-87717		1165	E1165	⊥	48530-87710	48530-87713	
		L	A1053	●B1053	⊕	48520-87717				⊙	48530-87712		
87/01~87/11	G100S(TD,TS,CS,CD),G101S(TD,CD,CS)	R	A1058	●B1058	⊕	48510-87719		R	A1076	●B1076	⊕	48530-87721	
		L	A1059	●B1059	⊕	48520-87719		L	A1077	●B1077	⊕	48540-87707	
87/01~87/11	G100S(TX,CX,Turbo CX),G101S(TX,CX)	R	A1058	●B1058	⊕	48510-87723		R	A1076	●B1076	⊕	48530-87717	
		L	A1059	●B1059	⊕	48520-87723		L	A1077	●B1077	⊕	48540-87703	
87/01~	G100S(Turbo TR)	R	A1058	●B1058	⊕	48510-87724		R	A1074	●B1074	⊕	48530-87718	
		L	A1059	●B1059	⊕	48520-87724		L	A1075	●B1075	⊕	48540-87704	
87/10~	G100S(GTTi,GTXX)	R	A1058	●B1058	⊕	48510-87722		R				48530-87719	
		L	A1059	●B1059	⊕	48520-87722	48520-87729	L				48540-87705	
87/11~	G100S(TD,TS,CS,CD),G101S(TD,CD,CS)	R	A1058	●B1058	⊕	48510-87725		R	A1076	●B1076	⊕	48530-87721	
		L	A1059	●B1059	⊕	48520-87725		L	A1077	●B1077	⊕	48540-87707	
87/11~	G100S(TX,CX,Turbo CX),G101S(TX,CX)	R	A1058	●B1058	⊕	48510-87726		R	A1076	●B1076	⊕	48530-87717	
		L	A1059	●B1059	⊕	48520-87726		L	A1077	●B1077	⊕	48540-87703	
88/02~	G102S	R	A1058	●B1058	⊕	48510-87724		R	A1074	●B1074	⊕	48530-87718	
		L	A1059	●B1059	⊕	48520-87724		L	A1075	●B1075	⊕	48540-87704	
88/02~	G112S(4WD)	R	A1070	●B1070	⊕	48510-87721		R	A1072	●B1072	⊕	48530-87723	
		L	A1071	●B1071	⊕	48520-87721		L	A1073	●B1073	⊕	48540-87709	
90/11~	G100,101(KISA)	R	A1058	●B1058	⊕	48510-87725		R				48530-87736	
		L	A1059	●B1059	⊕	48520-87725		L				48540-87722	
90/11~	G102 KISA	R	A1058	●B1058	⊕	48510-87724		R				48530-87737	
		L	A1059	●B1059	⊕	48520-87724		L				48540-87723	
90/11~	G100,101(TD,WILL,CD)	R	A1058	●B1058	⊕	48510-87725		R				48530-87739	
		L	A1059	●B1059	⊕	48520-87725		L				48540-87725	
90/11~97/09	G112	R	A1070	●B1070	⊕	48510-87721		R	A1072	●B1072	⊕	48530-87723	
		L	A1071	●B1071	⊕	48520-87721		L	A1073	●B1073	⊕	48540-87709	

CHARMANT

74~79/07	A10,A20,A30,A40(Excl.Van)		S1010	-----	⊥	48510-12021 48510-12022	48510-12032 48510-87103		2207		⊥	48531-19108	48531-87180
											⊙		
74/11~79/08	A10V,20V(Van)		S1010	-----	⊥	48510-12021 48510-12022	48510-12032		●2193		⊥	48531-19115	
79/07~81/09	A40(Excl.Sporty Custo, Van) A30(Excl.Van)		S1010	-----	⊥	48510-12022	48510-12032		2207		⊥	48531-87181	
79/07~81/09	A40Sporty Custom(Excl.Van)		S1010	-----	⊥	48510-87103			2207		⊥	48531-87180	
79/08~81/09	A30V,40V(VAN)		S1010	-----	⊥	48510-12022	48510-12032		-----			48531-87182	
81/10~83/08	A35,A55		S1065	Z1065	⊥	48510-12200	48520-12080					48531-87183	
83/08~88	A35,45,60		S3014		⊥	48510-12280	48520-12150					48531-87183	

○ Eyering
⊥ Upper Bolt

⊙ Bushing
⊥ Lower Bolt

⊗ XPin Type Bushing
⊕ Suspension Strut

⊕ Coil Over Type
⊥ Strut Cartridge

DAIHATSU



YEAR	MODEL (Make-Name)	FRONT				REAR			
		TOKICO NO. OIL	GAS		OEM NO.	TOKICO NO. OIL	GAS		OEM NO.

CONSORTE

72~	EP30,EP31,EP50	S1005	●Z1005		48510-10012	48520-10012	●2260		48531-19077	48531-19196
					48510-10032	48520-10032				
73~	EP45,EP47,EP51	●S1006	-----		48510-10040	48510-10050	2207		48531-19108	

CUORE

85/08~86/04	L70V(C,S)						1165	E1165		48530-87226	
85/08~87/08	L70V(A,B,FB)						1165	E1165		48530-87226	
85/08~87/08	L70S(TA,TC,TCX,CX,CA,CG)						1165	E1165		48530-87226	
86/04~87/08	L70V(C,S)						1165	E1165		48530-87226	
86/04~87/08	L70S(GRAN)						1165	E1165		48530-87226	
87/08~	L70S(GRAN)						1165	E1165		48530-87226	
87/08~	L70S(TA,TC,TCX,CX,CA,CG)						1165	E1165		48530-87226	
87/08~	L70V(A,B,FB)						1165	E1165		48530-87226	
87/08~	L70V(C,S)						1165	E1165		48530-87226	
85/08~90/07	L80						1165	E1165		48530-87224	48530-87225
										48530-87226	48530-87228
										48530-87229	48530-87230

CUORE/DOMINO/MOVE

95/08~	L601						1214			48531-87285	48531-87286
										48531-87294	
98/10~	L901	R						E1217		48531-97206	
		L									

CUORE/MIRA CUORE

90/08~94/08	L200						1211			48531-87257	48531-87201
										48531-87258	48531-87246
90/08~94/08	L201						1211			48531-87257	48531-87246
										48531-87258	48531-87201
94/08~	L501(660)						1214			48531-87293	48531-87276
										48531-87277	48531-87B01

DELTA

70~77/08	DV21,23,26(M)(Mixer)	●3261			48510-87301		3037	E3435		48530-87305	
								●EL3037			
77~77/08	SL17L(Long Body), SV18L(Long Body)	2518			48510-87302	48510-87303	3235			48530-87307	

○ Eyering
⊥ Upper Bolt

◎ Bushing
T Lower Bolt

⊗ XPin Type Bushing
⊞ Suspension Strut

⊕ Coil Over Type
⊔ Strut Cartridge

CHRYSLER

DAIHATSU

FORD

HINO

HONDA

ISUZU

JEEP

KIA

MAZDA

DAIHATSU



YEAR	MODEL (Make-Name)	FRONT				REAR			
		TOKICO NO. OIL	GAS	⌄	OEM NO.	TOKICO NO. OIL	GAS	⌄	OEM NO.

DELTA(Continued)

70~77/08	SV16T,17(T•W)(High Floor• Double Cab)	2518		○	48510-87302	48510-87303		-----		48530-87304	48530-87306
77/08~84/09	V10,11,13,17,20,23,24,30,31, 33,34,40,47,54	3318		⌄	48510-87305	48510-87307		3271		⊙	48530-87310
77/08~84/09	V12,18,32,42,48	3318		⌄	48510-87306	48510-87308				⊙	48530-87311
77/08~84/09	V15,25,26,35,36,56	3318		⌄	48510-87305	48510-87307		●3319		⊙	48530-87312
84/09~	V57,78,98(Single Tire, Special Chassis)	3318		⌄	48510-87306	48510-87308				⊙	48530-87310
84/09~	V57,98(Low Deck, Low Deck Dump)	3318		⌄	48510-87307	48510-87308		●3319		⊙	48530-87312
84/09~	V75(High Floor 3-side Opening,standard Dump)	3318		⌄	48510-87307	48510-87308		3464		⊙	48530-87315
84/09~	V75,79,99(Special Chassis, Low Deck)	3318		⌄	48510-87307	48510-87308				⊙	48530-87317
84/09~	V78,98 (Double Tire,Excl.Low Deck,Special Chassis)	3318		⌄	48510-87307	48510-87308		3271		⊙	48530-87319
84/09~	V79(High Floor 3-side Opening), V99(Excl.Low Deck),V76	3318		⌄	48510-87307	48510-87308		3272		⊙	48530-87311

DELTA 750

71~79/10	KD10,11	2092		⌄	48500-29025	48500-29075		2186	E2186	○	48531-29165	48531-29166
79/10~82/09	KD20(Double Tire)	2612	-----	⌄	48500-29245			2254	●EL2254	○	48531-29655	
79/10~82/09	KD20(Single Tire)	2612	-----	⌄	48500-29245			2048	E2048	○	48531-29645	

DELTA WIDE

76/10~81/01	TB11G(Wagon),TB15G(Wagon)	●2470		⌄	48500-29185			2048	E2048	○	48531-29335	
76/10~82/10	KB10V,11V,12V,TB10V, 11V(VAN)	●2470		⌄	48500-29185			2048	E2048	○	48531-29325	
81/01~82/10	TB15G(Wagon)	●2470		⌄	48500-29265			2048	E2048	○	48531-29875	
82/11~84/05	YB20G,21G,CR21G(Wagon)		E2713	⌄	48500-29275				E2714	⌄	48531-80016	
84/05~84/08	YB20G,21G,CR21G(Wagon)			⌄	48500-29276				E2714	⌄	48531-80016	
84/08~	YB20G,21G,CR21G(Wagon)			⌄	48500-29276				E2827	⌄	48531-80052	

ESPASS

95~	S-91	S1119		⌄	48511-00001			2842		○	48530-87535	
95~	S-92			⌄	48511-00002			2842		○	48530-87535	

F-70/TAFT GT

84~			E20003	⌄	48510-87606	48510-87680			E20003	⌄	48530-87612	48530-87680
-----	--	--	--------	---	-------------	-------------	--	--	--------	---	-------------	-------------

FELLOW MAX/MAX CUORE

70~74	L38(Incl.Hardtop SL,GXL)							2508		⌄	48530-87202	
73/04~76/05	L38(Incl.Hardtop GL,TL)							2508		⌄	48530-87201	
76/06~80/05	L40							2508		⌄	48530-87206	

○ Eyering
⌄ Upper Bolt

⊙ Bushing
⌄ Lower Bolt

⊗ XPin Type Bushing
⌄ Suspension Strut

⊕ Coil Over Type
⌄ Strut Cartridge

TOKICO SHOCK ABSORBERS

NUMERICAL LISTING

DAIHATSU



YEAR	MODEL (Make-Name)	FRONT				REAR			
		TOKICO NO. OIL	GAS	⌄	OEM NO.	TOKICO NO. OIL	GAS	⌄	OEM NO.

HIJET

71/09~81/08	S38 ,40	●1049		⌄ ⊗	48510-87501	48510-87502	1123		○ ○	48530-87501	48530-87502
77/03~78/02	S60	2510		⌄ ⊗	48510-87503	48510-87504	2507		○ ○	48530-87503	48530-87507
78/02~79/09	S60(Truck with Flat Low Deck)	2510		⌄ ⊗	48510-87503	48510-87504	2507		○ ○	48530-87503	
78/02~79/09	S60(Excl.Truck with Flat Low Deck) (Incl.Van,Panel Van)	2510		⌄ ⊗	48510-87503	48510-87504	1123		○ ○	48530-87502	
79/09~81/03	S60 ,All	2510		⌄ ⊗	48510-87503	48510-87504	1123		○ ○	48530-87502	
81/04~82/03	S65,C(Truck Panel Van) (Excl.Agricultural 12 Tire Model)						1123		○ ○	48530-87504	48530-87505
81/04~82/03	S65V(STD,SDL,E)(Van)						1123		○ ○	48530-87504	48530-87505
81/04~82/03	S65V(L only)(Van)						1123		○ ○	48530-87508	
82/03~83/10	S65V(L only)(Van)						1123		○ ○	48530-87508	
82/03~83/10	S65V(STD,SDL,E)(Van)						1123		○ ○	48530-87504	48530-87505
82/03~83/10	S65,C(Truck Panel Van) (Excl.Agricultural 12 Tire Model)						1123		○ ○	48530-87504	48530-87505
83/10~84/10	S65(Agricultural 12 Tire Model)						2504		○ ○	48530-87511	48530-87514
83/10~84/10	S65,C(Truck Panel Van) (Excl.Agricultural 12 Tire Model)						1123		○ ○	48530-87504	48530-87505
83/10~84/10	S65V(LX,Incl.Turbo)(Van)						2504		○ ○	48530-87510	48530-87511
83/10~84/10	S65V(L only)(Van)						1123		○ ○	48530-87508	
83/10~84/10	S65V(STD,SDL,E)(Van)						1123		○ ○	48530-87504	48530-87505
84/10~86/05	S65(Agricultural 12 Tire Model)						2504		○ ○	48530-87511	48530-87514
84/10~86/05	S65,C(Truck Panel Van)* (Excl.Agricultural 12 Tire Model)						1123		○ ○	48530-87504	48530-87505
84/10~86/05	S65V(L only)(Van)						1123		○ ○	48530-87508	
84/10~86/05	S65V(LX,Incl.Turbo)(Van)						2504		○ ○	48530-87510	48530-87511
84/10~86/05	S65V(SDL with High Roof)(Van)						1123		○ ○	48530-87504	48530-87505
84/10~86/05	S65V(STD,SDL,Excl.High Roof,E) (Van)						1123		○ ○	48530-87504	48530-87505
86/05~87/02	S80P,S80C	●S1112		⌄	48510-87537	48520-87534	1199		○ ○	48530-87505	48531-87517
86/05~90/04	S80V(ATRAI LX,ATRAI EX)	S1111		⌄	48510-87540	48520-87537	-----			48530-87520	
86/05~90/04	S80V(STD,SDX,G,GX,HCT) ●●●Excl.Low Floor Van	S1111		⌄	48510-87540	48520-87537	1199		○ ○	48530-87505	48530-87516
86/05~90/04	S80V(STD,SDX,G,GX,HCT) ●●●Low Floor Van	S1111		⌄	48510-87540	48520-87537	-----			48530-87521	48531-87518
87/02~90/04	S80P,S80C				48510-87539	48520-87536	1199		○ ○	48530-87505	48530-87516

LEEZA

86/11~87/06	L100V(Y,Z),L100S(TS)						1165	E1165	⌄ ⊗	48530-87226	48530-87227
-------------	----------------------	--	--	--	--	--	------	-------	--------	-------------	-------------

○ Eyering
⌄ Upper Bolt

⊙ Bushing
⌄ Lower Bolt

⊗ XPin Type Bushing
⌄ Suspension Strut

⌄ Coil Over Type
⌄ Strut Cartridge

CHRYSLER

DAIHATSU

FORD

HINO

HONDA

ISUZU

JEEP

KIA

MAZDA

DAIHATSU



YEAR	MODEL (Make-Name)	FRONT				REAR			
		TOKICO NO. OIL	TOKICO NO. GAS	⌘	OEM NO.	TOKICO NO. OIL	TOKICO NO. GAS	⌘	OEM NO.

LEEZA(Continued)

86/11~87/08	L100V(X),L100S(TD)					1165	E1165	⌘ ⊙	48530-87226 48530-87227
87/08~	L100V(X),L100S(TD)					1165	E1165	⌘ ⊙	48530-87226 48530-87227

SIRION/STORIA

98/01~00	M100(1.0,2WD) No.~M100-538945								48531-97201 48531-97202 48531-97205 48531-97206 48531-97226
98/01~00	M100(1.0,2WD) No.~M100-538945						E1217	⊙ ⊙	48531-97227 48531-97231 48531-97238 48531-97236
00~	M100(1.0,2WD) No.M100-538946~ M101(1.3,2WD)						E1217	⊙ ⊙	48531-97235 48531-97403 48531-97410 48531-97409

TAFT

74/08~78/08	F10,20,50,60	2254	●EL2254	○ ○	48510-87601 48510-87602		2048	E2048	○ ○	48530-87601 48530-87603 48530-87602
78/08~84/04	F10,20,50,60	2254		○ ○	48510-87603		2048	E2048	○ ○	48530-87601 48530-87603 48530-87602
78~84	Steering Damper	SD1010		⊙ ⊙	45700-87601 45700-87604					

TARUNA

99~					48510-87Z15 48520-87Z14			E3802	○ ⊙	48530-87Z13
-----	--	--	--	--	-------------------------	--	--	-------	--------	-------------

TERIOS

97/03~	J100(2WD) incl.with ABS							E1216	○ ⊙	48530-87401
97/03~98/09	J100G(1300,4WD)							E1216	○ ⊙	48530-87401
98/09~00/05	J100G(1300,4WD)							E20011	○ ⊙	48530-87409
00/05~05/12	J102G(1300,4WD) CL							E20009	○ ⊙	48530-87404
01/12~03/08	J102G(1300,4WD) CX AERO PACK							E20010	○ ⊙	48530-87407
00/05~05/12	J102G(1300,4WD) CUSTOM MEMORIAL PACK							E20010	○ ⊙	48530-87407
00/05~05/12	J122G(1300)							E20010	○ ⊙	48530-87407

XENIA

03~					48510-BZ070 48520-BZ070			E2999	⊙ ⊙	48531-BZ090
-----	--	--	--	--	-------------------------	--	--	-------	--------	-------------

YRV

00/08~	M200(1.0,2WD) M201(1.3,2WD)							E1217	⊙ ⊙	48531-97416 48531-97420 48531-97414 48531-97419
--------	--------------------------------	--	--	--	--	--	--	-------	--------	--

ZEBRA

87~	S-88/S-89				48511-00002-001 48510-87545 48520-87542		2842		○ ○	48530-87535-001 48530-87535
-----	-----------	--	--	--	--	--	------	--	--------	-----------------------------

○ Eyering
⌘ Upper Bolt

⊙ Bushing
T Lower Bolt

⊗ XPin Type Bushing
⊞ Suspension Strut

⊞ Coil Over Type
⌘ Strut Cartridge

FORD

CONTOUR	56
CROWN VIC	56
CURRENT WINDSTAR	56
ESCAPE	56
ESCORT(Exc Coupe)	56
EVEREST	56
EXPLORER(Exc Sport)	56
FREESTAR	56
MUSTANG	56

FORD



YEAR	MODEL (Make-Name)	FRONT				REAR			
		TOKICO NO. OIL	GAS	⌘	OEM NO.	TOKICO NO. OIL	GAS	⌘	OEM NO.

CONTOUR

94~97	CDW27				94BB-18045-CB XW7Z-18124-BA F7AC-18045-AB XW7Z-18124-AA 94BB-18045-AH XS2Z18124-A				93BB-18K076-GH XS2Z-18125-AA 93BB-18K076-GG
98~01	SW164				98BG-18045-CB 3U2Z-18124-BU F8RZ-18124-DA				98BG-18K076-CE F8RZ-18124-BA F8RZ-18124-DA 3U2Z-18124-BU F8RZ-18124-FA 3U2Z-18124-JA

CROWN VIC

03~05	EN				7W73-18045-JA 3U2Z-18124-BJ 3U2J-18124-BNA				7W73-18080-BA 8W73-18080-BA 7W7Z-18125-B
93~02	HG				F8VC-18045-AB 3U2Z-18124-ZA				1W73-18080-AB 1W73-18080-CA 1W7Z-18125-CA

CURRENT WINDSTAR

94~03	WIN126				2F23-18045-AE 2F2Z-18124-AA 2F23-18045-AD				
-------	--------	--	--	--	--	--	--	--	--

ESCAPE

01~08	U204	R			YL84-18K001-EA YL8Z-18124-EA YL8Z-18045-EA				6L84-18080-EJ 6L8Z-18125-AD
		L			YL84-18K001-EA YL8Z-18124-EB YL84-18045-EA				

ESCORT(Exc Coupe)

97~03	CT120	R			F7C6-18K026-AC 3U2Z-18124-XA	R			F7C6-18080-AG 3U2Z-18125-HA
		L			F7C6-18B027-AC XS4Z-18124-CA	L			F7C6-18K004-AG F7CZ-18125-AA

EVEREST

03/04~06/02	J90F,J90U(U268)			E4123	⌞ UP20-34-700A ⊙			E4111	⊙ UP21-28-700C ⊙
06/03~07/10	J97MU4X4,J90U(U268)4X4			E4124	⌞ UR61-34-70XC ⊙			E4125	⊙ UR61-28-700C ⊙
07/11~	J90F,J90U(U268)			E4123	⌞ UP20-34-700A ⊙			E4126	⊙ UV9K-28-700 ⊙

EXPLORER(Exc Sport)

04~05	U152				5L24-18045-AC 5L2Z-18124-AB				5L24-18080-BB 5L2Z-18125-BA
-------	------	--	--	--	-----------------------------	--	--	--	-----------------------------

FREESTAR

08/03~	V229				6F2Z-18124-AD 6F23-18124-AF				
--------	------	--	--	--	-----------------------------	--	--	--	--

MUSTANG

05~	S197				6R33-18045-BE 6R3Z-18124-BA 6R3Z-18124-FA				7R33-18080-AA 7R3Z-18125-J 7R33-18080-AA 7R3Z-18125-J
-----	------	--	--	--	--	--	--	--	--

○ Eyering
⌞ Upper Bolt

⊙ Bushing
⌞ Lower Bolt

⊗ XPin Type Bushing
⌘ Suspension Strut

⊕ Coil Over Type
⌚ Strut Cartridge

HINO

BUS	58
RANGER	58
TRUCK	59-60

HINO



YEAR	MODEL (Make-Name)	FRONT				REAR			
		TOKICO NO. OIL	GAS	⊕	OEM NO.	TOKICO NO. OIL	GAS	⊕	OEM NO.

BUS

62~70/07	RE100,120,140 (Leaf Spring)	5029		⊕ ⊕	6-031-7708-00 6-031-7708-02 6-031-7708-01 6-031-7708-03		6016		⊕ ⊕	6-031-7707-01
62~75	RL100	-----			6-031-7711-01		5029		⊕ ⊕	6-031-7708-00 6-031-7708-02 6-031-7708-01 6-031-7708-03
68~78/03	RC300,320	5029		⊕ ⊕	6-031-7708-00 6-031-7708-02 6-031-7708-01 6-031-7708-03		6016		⊕ ⊕	6-031-7707-01
75~88/01	RL300,320	-----			6-071-48047-0		5032		⊕ ⊕	6-071-4800-81
76~77/06	RD100,120	5029		⊕ ⊕	6-031-7708-00 6-031-7708-02 6-031-7708-01 6-031-7708-03		6016		⊕ ⊕	6-031-7707-00 6-031-7709-01
76/02~80/01	AM100(Light Bus RAINBOW), w/Air Conditioner	3256		⊥ ⊕	6-071-4802-60					48530-1090
76/02~80/01	AM100(Light Bus RAINBOW), w/O Air Conditioner	3256		⊥ ⊕	6-071-4802-60		-----			48530-1080
77/06~80/01	RD300	5029		⊕ ⊕	48500-1040		6016		⊕ ⊕	48530-1190
77/07~80/01	RE101,121,141,161(Air Suspension)									
77/07~80/01	RE101,121,141,161(Leaf Spring)									
78/03~79/09	RC301,RC321(Leaf Spring)	5029		⊕ ⊕	6-031-7708-03		6016		⊕ ⊕	6-031-7707-02
80/01~	AM101(Light Bus RAINBOW)	3256		⊥ ⊕	48500-1160 6-071-4802-60		-----			48530-1080
80/01~	RC301,321,381(Leaf) (Excl.RC301 Low Floor)	5029		⊕ ⊕	48500-1040 6-031-7708-03		6016		⊕ ⊕	48530-1190 6-031-7707-02
80/01~	RD301	5029		⊕ ⊕	48500-1040 6-031-7708-03		6016		⊕ ⊕	48530-1190 6-031-7707-02
80/01~	RE101,121,141(Leaf Spring)	5029		⊕ ⊕	48500-1040 6-031-7708-03		6016		⊕ ⊕	48530-1190 6-031-7707-02
80/01~	RL301,321	-----			48500-1200 6-071-48047-0		5032		⊕ ⊕	48500-1120 6-071-4800-81
80/10~	RJ170A,172A(RAINBOW)				48500-1320		5032		⊕ ⊕	48500-1120 48510-1060
82/02~	RR170A,172A(RAINBOW)				48500-1380		5032		⊕ ⊕	48500-1120 48510-1060
82/10~83/11	RT223AA,225AA,226AA	5029		⊕ ⊕	48500-1040					48530-1350

RANGER

72~79/09	KR,KU All	3256		⊥ ⊕	6-071-4802-63					
78/08~81/02	HV10,11,17,20,23 (Incl.Dump,Mixer)	3318		⊥ ⊕	4851A-87305		3271		⊗ ⊗	4853A-87310
78/08~81/02	HV25L(Low Deck Double Tire)	3318		⊥ ⊕	4851A-87305		●3319		⊗ ⊗	4853A-87312
79/01~81/02	HV12H,18H,48H(High Floor 3-side Opening Double Tire Long Body)	3318		⊥ ⊕	4851A-87305		3272		⊗ ⊗	4853A-87311
80/07~82/06	GD17 ,FD12 ,15 ,17	3322		⊥ ⊕	48500-1290					
81/02~	HV10,11,17,20,23 (Incl.Dump,Mixer)				4850B-87307 4851A-87308 4851A-87306		3271		⊗ ⊗	4853A-87310
81/02~	HV12H,18H,42H,48H(High Floor 3-side , Opening Double Tire Long Body)				4850B-87307 4851A-87308 4851A-87306		3272		⊗ ⊗	4853A-87311
80/12~	FT173A,175A	3322		⊥ ⊕	48500-1290					
81/03~	KD154A	3322		⊥ ⊕	48500-1290					
84/09~	HV76HU,79HU,99HU				4851A-87308		3272		⊗ ⊗	4853A-87311
84/09~	HV98H,HS,PWS,M,D,DJ,DK, HV78(All)				4851A-87308		3271		⊗ ⊗	4853A-87310

⊕ Eyering
⊥ Upper Bolt

⊗ Bushing
⊥ Lower Bolt

⊗ XPin Type Bushing
⊥ Suspension Strut

⊗ Coil Over Type
⊥ Strut Cartridge

TOKICO SHOCK ABSORBERS

NUMERICAL LISTING

HINO



YEAR	MODEL (Make-Name)	FRONT				REAR			
		TOKICO NO. OIL	GAS	⊕	OEM NO.	TOKICO NO. OIL	GAS	⊕	OEM NO.

TRUCK

63~76/10	HE(Tractor)	5029		⊙	6-031-7708-00	6-031-7708-02				
				⊙	6-031-7708-01					
70~75/07	KF ,KF701,700,720 (Excl.KF300,702)	5029		⊙	6-031-7708-00	6-031-7708-02				
				⊙	6-031-7708-01	6-031-7708-03				
70~75/07	TC	5029		⊙	6-031-7708-00	6-031-7708-02				
				⊙	6-031-7708-01	6-031-7708-03				
70~75/07	ZM (Excl,ZM300,702)	5029		⊙	6-031-7708-00	6-031-7708-02				
				⊙	6-031-7708-01	6-031-7708-03				
70~76/02	KB302,303,313	5029		⊙	6-031-7708-00	6-031-7708-02				
				⊙	6-031-7708-01	6-031-7708-03				
70~76/02	KB322,342,362,382	5032		⊙	6-071-7800-80	6-071-7800-81				
				⊙						
70~77	TE100,120	5029		⊙	6-031-7708-00	6-031-7708-02				
				⊙	6-031-7708-01	6-031-7708-03				
70~79/10	KS341,391	5029		⊙	6-031-7708-00	6-031-7708-02				
				⊙	6-031-7708-01	6-031-7708-03				
71~75/07	KF300,702	5032		⊙	6-071-4800-80	6-071-4800-81				
				⊙						
71~75/07	ZM300,702	5032		⊙	6-071-4800-80	6-071-4800-81				
				⊙						
75/07~79/09	KF (Excl.KF585)	5032		⊙	6-071-4800-81					
				⊙						
75/07~79/09	TC383 Trailer(Container)	5032		⊙	6-071-4800-81					
				⊙						
75/07~79/09	TC (Excl.TC383 Trailer) (Container)	5029		⊙	6-031-7708-03					
				⊙						
75/07~79/09	ZM All	5032		⊙	48500-1120	6-071-4800-81				
				⊙						
76/02~79/09	KB304,314,324,344,364,384 KB394,KB501	5032		⊙	48500-1120	6-071-4800-81				
				⊙						
76/10~79/09	HE340,350,335,355	5029		⊙	6-031-7708-02	6-031-7708-03			6-071-7707-02	
				⊙						
76/10~79/09	HE526	5032		⊙	6-071-4800-81				6-071-7707-02	
				⊙						
76/12~79/09	KF585	5032		⊙	48500-1120	6-071-4800-81				
				⊙						
77/01~79/09	HH341(Tractor)	5032		⊙	6-071-4800-81					
				⊙						
78/03~80	LB700,720,760	3256		⊥	6-071-4802-60					
				⊙						
79/09~81	ZM303,ZM940 ZM500,540,560, 580 ZM706,745,765,785 ZM103	5032		⊙	48510-1020					
				⊙						
79/09~81	TC303,323,343,363,383,562,582 TC723,743,763,783,922,942 (Incl.Tractor)	5032		⊙	48510-1020					
				⊙						
79/09~82	KB304,314,324,344,364,384 KB394,KB501,980	5032		⊙	48510-1020					
				⊙						
79/09~	KF301,321,341,346,361,366 KF381,386,391,396 KF500,545,565,585,595 KF704,724,747,767,787,798	5032		⊙	48510-1020					
				⊙						
79/09~	HE526,HE356,366(Tractor), Front 4 Leaf Springs	5032		⊙	48510-1040		6016	⊙	48530-1140	
				⊙				⊙		
79/09~	HE526,HE356,366(Tractor), Front 6 Leaf Springs	5032		⊙	48510-1060		6016	⊙	48530-1140	
				⊙				⊙		
79/09~	HH341,541	5032		⊙	48510-1060					
				⊙						
79/10~81	KS341,391	5029		⊙	48510-1050					
				⊙						
79/10~	ZC101,121	5029		⊙	48510-1050					
				⊙						

⊙ Eyering
⊥ Upper Bolt

⊙ Bushing
⊥ Lower Bolt

⊗ XPin Type Bushing
⊥ Suspension Strut

⊕ Coil Over Type
⊥ Strut Cartridge

CHRYSLER

DAIHATSU

FORD

HINO

HONDA

ISUZU

JEEP

KIA

MAZDA

HINO



YEAR	MODEL (Make-Name)	FRONT				REAR			
		TOKICO NO.		⊕	OEM NO.	TOKICO NO.		⊕	OEM NO.
OIL	GAS	OIL	GAS						

TRUCK(Continued)

81/04~	FP27#A ,28#A	5032		○	48500-1340				48530-1370
81/04~	FR27#A ,28#A ,60#A ,63#A	5032		○	48500-1340				
81/04~	FS27#A,60#A,63#A (633A Only ~Chassis No15000) FN27#A, 28#A,60#A,63#A,GN272,274, 282,284	5032		○	48500-1340				
81/06~	FH22#A ,FH270A(Excl.Semi Tractor) FH272A	5032		○	48500-1340				
81/11~	KK188A,189A,196B,198B,199B	5032		○	48500-1340				
	211W	3769		⊥	48511-0W070				
	FE,FF6W	5059		○	48500-3210A				

CHRYSLER

DAIHATSU

FORD

HINO

HONDA

ISUZU

JEEP

KIA

MAZDA

○ Eyering
⊥ Upper Bolt

◎ Bushing
T Lower Bolt

⊗ XPin Type Bushing
⊕ Suspension Strut

⊕ Coil Over Type
⊔ Strut Cartridge

HONDA

ACCORD	62-63
ACCORD AERODECK	63
ACCORD COUPE	63
BALLADE	63
BALLADE SPORTS(CR-X)	63
CITY	63
CIVIC	63-64
CIVIC (Hatchback/Sedan)	64
CIVIC FERIO	65
CIVIC PRO	65
CIVIC SHUTTLE	65
CIVIC(GRAND CIVIC)	65
CIVIC(SPORTS CIVIC)	65-66
CIVIC(WONDER CIVIC)	66
CONCERTO	66
CR-V	66
CR-X	67
FIT	67-68
FIT ARIA	67
INTEGRA	68
JAZZ	67-68
PRELUDE	68
VIGOR	63,68

TOKICO SHOCK ABSORBERS

NUMERICAL LISTING

HONDA



YEAR	MODEL (Make-Name)	FRONT					REAR				
		TOKICO NO.		⚙	OEM NO.		TOKICO NO.		⚙	OEM NO.	
		OIL	GAS				OIL	GAS			

ACCORD

85/06~89/08	CA1-100,106,120,CA5-100 CA2-100,106,120,CA3-100, 106,120 CA5(2.0SS,2.0GXL)	R	Q2781	U2781	⚙	51605-SE0-003	51605-SE0-931		Q2783	U2783	⚙	52610-SE0-931	52610-SE0-945
							51605-SE0-010	51605-SE0-932					52610-SE0-943
		L	Q2782	U2782	⚙	51605-SE0-013	51605-SE0-G01					52611-SE0-053	
						51605-SE0-033	51605-SE0-G03					52611-SE0-651	
						51606-SE0-003	51606-SE0-033					52611-SE0-654	
						51606-SE0-010	51606-SE0-931						
						51606-SE0-013	51606-SE0-932						
						51606-SE0-G02							
89/09~93/09	CB1,CB2,CB3(2.0EXL),CB3 (2.0SI,2.0EXL-I,2.0SI-T) CB4(2.0EXL),CB4(2.0EXL-I,2.0SI)			U3737	⚙	51605-SM4-E02	51606-SM4-E02			U2896	⚙	52611-SM4-014	
						51605-SM4-J02	51606-SM4-J02					52611-SM4-913	
												52611-SM4-961	
												52611-SM4-J61	
91/04~94/11	CD3(1.8EF,1.8EX),CD4(2.0EX), CD4(2.0EXL) CD5(2.2UTE, 2.2UTL,2.2VTS),CD6(SIR), CB9(2.2i),CE1(2.2VI,2.2VIX)			U3737	⚙	51601-SV4-922	51601-SV4-J12			U2938	⚙	52611-SM5-A03	
						51602-SV4-922	51602-SV4-J12					52611-SV4-A02	
						51605-SM5-A02	51606-SM5-A02					52611-SV4-J02	
						51605-SV4-A02	51606-SV4-A02					52611-SV4-N02	
						51605-SV4-J02	51606-SV4-J02					52611-SV5-A02	
						51605-SV4-N02	51606-SV4-N02						
						51605-SV5-A02	51606-SV5-A02						
90/01~93/08	U.S. MADE			U3714	⚙	51606-SM1-A12	51605-SM1-A12			U2896	⚙	52611-SM1-A02	
						51601-SM4-K100-M2						52610-SM4-K100-012	
89/09~93/10	CB8/9(USA WAGON)			U3714	⚙	51605-SM4-305	51606-SM4-305			U2896	⚙	52611-SM4-305	
89~96	CB#,CC#,CE#			U3737	⚙	51601-SM4-E24	51605-S37-G00			U2896	⚙	52611-S37-G00	52611-SM1-A22
						51605-SM1-A02	51605-SM4-305					52611-SM4-014	52611-SM4-913
						51605-SM4-E02	51605-SM4-J02					52611-SM4-Y02	52611-SN7-E01
						51605-SN7-E01	51605-SN7-E02					52611-SN7-E02	
						51602-SM4-E24	51606-S37-G00						
						51606-SM1-A02	51606-SM4-305						
						51606-SM4-E02	51606-SM4-J02						
						51606-SN7-E01	51606-SN7-E02						
93/09~98	CD#,CE#			U3737	⚙	51601-SV4-922	51601-SV4-J12			U2938	⚙	52610-SV5-J01	52611-SV4-A02
						51605-SV4-A02	51605-SV4-J02					52611-SV4-J02	52611-SV4-N02
						51605-SV4-N02	51605-SV5-A02					52611-SV5-A02	52620-SV5-J01
						51605-SV5-N02	51602-SV4-J12						
						51602-SV4-922	51606-SV5-A02						
						51606-SV4-A02	51606-SV5-N02						
						51606-SV4-J02	51606-SV4-N02						
98/02~	CGL1/2/4/5 2.0, 3.0 SED AND USA COUPE			U3730	⚙	51601-S87-A04	51605-SB0-A04			U2934	⚙	52610-S87-A01	52611-S82-A02
						51605-S80-A04	51605-SB2-A02					52611-S80-A02	52611-S84-A04
						51605-S82-A02	51605-SB2-A03					52611-S80-A04	52611-S87-A04
						51605-S82-A03	51605-SB4-A06						
						51605-S84-A06	51605-SB7-A06						
						51605-S87-A04	51606-SB0-A01						
						51605-S87-A06	51606-SB2-A01						
						51605-SB0-A02	51606-SB7-A07						
						51606-S80-A01							
97/09~	CF3/4/6(1.8i/2.0i/2.2i SED/ Wagon)			U3807	⚙	51605-S0A-922	51605-S0A-J12			U3808	⚙	52611-S0A-923	52611-S0A-J02
												52611-S0A-J12	
98/10~	CG7/8/9,CH1(1.6i/1.8i/2.0i/ 2.2i SED)			U3807	⚙	51605-S1A-E02	51605-S1A-G21			U3808	⚙	52611-S1A-E01	52611-S1A-G21
03/02~	CL7/8/9,CM#			U3781	⚙	51605-SDA-Y03	51605-SDB-A04			U3806	⚙	52610-SDA-A02	52611-SDA-A02
						51605-SDB-Y04	51605-SEA-902					52611-SDB-A02	
						51605-SEA-E02	51605-SED-J01						
						51605-SEE-J01	51605-SEB-J02						
						51605-SED-903							
04~	2.0 VTI-L 2.0L for Indonesia					51605-S86-K61				U2934	⚙	52611-S86-K81	

○ Eyering
⊥ Upper Bolt

⊙ Bushing
⊥ Lower Bolt

⊗ XPin Type Bushing
⚙ Suspension Strut

⚙ Coil Over Type
⊥ Strut Cartridge

TOKICO SHOCK ABSORBERS

NUMERICAL LISTING

HONDA



YEAR	MODEL (Make-Name)	FRONT					REAR				
		TOKICO NO. OIL	GAS		OEM NO.		TOKICO NO. OIL	GAS		OEM NO.	

ACCORD AERODECK

85/06~89/08	CA1,CA2	R	Q2781	U2781	☞	51605-SE0-010	51605-SE0-931	Q2783	U2783	☞	52611-SE0-003	52611-SE0-043
						51605-SE0-023	51605-SE0-932				52611-SE0-033	52611-SE0-053
		L	Q2782	U2782	☞	51605-SE0-033	51605-SE0-934	52611-SE0-931	52611-SE0-938			
						51606-SE0-010	51606-SE0-931	52611-SE0-934	52611-SE0-945			
						51606-SE0-023	51606-SE0-932	52611-SE0-935	52611-SE0-946			
						51606-SE0-033	51606-SE0-934	52611-SE0-936				

ACCORD COUPE

88/04~89/12	CA6-100	R	Q2781	U2781	☞	51605-SE0-933		Q2783	U2783	☞	52611-SE0-937	
		L	Q2782	U2782	☞	51606-SE0-933						
90/04~96	CB6(2.0SI-Excl), CB7(2.2L Excl)			U3714	☞	51605-SM1-A02	51606-SM1-A02		U2896	☞	52611-SM1-A22	

ACCORD/VIGOR

03/02~	CL# (2.0L I,2.4L I,2.2L CDTi)			U3781	☞	51605-SDA-Y03	51605-SDB-A04		U3809	☞	52611-SEA-E03	52611-SEF-E02
						51605-SDB-Y04	51605-SEA-902					
						51605-SEA-E02	51605-SEB-J02					
						51605-SED-903	51605-SED-E12					
						51605-SED-J01	51605-SEE-J01					
						51605-SEF-E03						
03/02~	CM1(2.0L)/CM2(2.4L)/ CN2(2.2L CDTi)			U3781	☞	51605-SDA-Y03	51605-SDB-A04		E20015	⊥ ◎	52610-SED-E04	52610-SEE-J03
						51605-SDB-Y04	51605-SEA-902				52610-SEE-J04	52611-SED-904
						51605-SEA-E02	51605-SEB-J02				52611-SED-J03	52611-SEE-J03
						51605-SED-903	51605-SED-E12					
						51605-SED-J01	51605-SEE-J01					
						51605-SEF-E03						

BALLADE

83/10~87/08	AJ-100,AK-100 AJ-110,120,AK-110,120	R	●A2071	●B2071	☞	51605-SB2-014	51605-SB2-936				52611-SB3-004	52611-SB3-673
					☞	51605-SB2-024	51605-SB2-961				52611-SB3-014	52611-SB3-674
		L	●A2072	●B2072	☞	51606-SB2-014	51606-SB2-936	52611-SB3-671	52611-SB3-921			
						51606-SB2-024	51606-SB2-961				52611-SB3-672	52611-SB3-942

BALLADE SPORTS(CR-X)

83/06~87/08	AE-100,110,120,130 AF-100,110,120,130	R	●A2071	●B2071	☞	51601-SB2-014	51605-SB2-932		U2741	☞	52610-SB2-602	52611-SB2-671	
						51605-SB2-004	51605-SB2-933				52611-SB2-003	52611-SB2-672	
						51605-SB2-014	51605-SB2-934				52611-SB2-004	52611-SB2-673	
								51605-SB2-024	51605-SB2-935			52611-SB2-013	52611-SB2-674
								51605-SB2-931	51605-SB2-936			52611-SB2-014	52611-SB2-675
												52611-SB2-024	52611-SB2-922
										52611-SB2-602	52611-SB2-923		
84/09~87/09	AS-100,110,120					51605-SB2-981	51606-SB2-981		U2741	☞	52610-SB2-602	52611-SB2-671	
						51605-SB2-982	51606-SB2-982				52611-SB2-003	52611-SB2-672	
						51605-SB2-983	51606-SB2-983				52611-SB2-004	52611-SB2-673	
											52611-SB2-013	52611-SB2-674	
											52611-SB2-014	52611-SB2-675	
										52611-SB2-024	52611-SB2-922		
										52611-SB2-602	52611-SB2-923		

CITY

03~05	for THAILAND	R		B2292	☞	51605-SEL-T02			E20013	⊥ ○	52611-SEL-T02	
		L		B2293	☞	51606-SEL-T02						

CIVIC

91/09~95/08	EG7-100,EG8-100,EG9-100	R		U3456	☞	51605-SR3-003	51605-SR3-N02		U3458	☞	52611-SR3-003	52611-SR3-J01
						51605-SR3-J01						
		L		U3457	☞	51606-SR3-003	51606-SR3-J01					
						51606-SR3-N02						

○ Eying
⊥ Upper Bolt

◎ Bushing
T Lower Bolt

⊗ XPin Type Bushing
☞ Suspension Strut

☞ Coil Over Type
☞ Strut Cartridge

HONDA



YEAR	MODEL (Make-Name)	FRONT				REAR			
		TOKICO NO. OIL	GAS	⌘	OEM NO.	TOKICO NO. OIL	GAS	⌘	OEM NO.

CIVIC(Continued)

91/09~95/08	EG7-100,EG8-100,EG9-100 (U.S.Made)	R	U3456	⌘	51605-SR0-003			U3713	⌘	52611-SR0-B01
		L	U3457	⌘	51606-SR0-003					
01~02	EU1.3.7/EP1.2/EM2 ES1.3,EU1,EU3,EU7,EM2,EP1, EP2,ES1,ES3	R	B3204	⌘	51605-S5A-A07 51605-S5A-N55 51605-S5D-A05 51605-S5P-G01 51605-S5S-G03 51605-S6A-G03 51605-S6A-G04 51605-S6A-N03 51605-S5A-J55 51605-S5A-R31			U3741	⌘	52611-S5A-305 52611-S5A-N06
		L	B3205	⌘	51606-S5A-A07 51606-S5A-N55 51606-S5D-A05 51606-S5P-G01 51606-S5S-G03 51606-S6A-G03 51606-S6A-N03 51606-S5A-J54 51606-S5D-A05					
01~02	EP3 (2000) TYPE-R	R	B4020	⌘	51605-S5A-A09 51605-S5T-J03 51605-S5T-Z04 51605-S6F-E05 51605-S5V-E05			U3741	⌘	52611-S5A-305 52611-S5A-N06
		L	B4021	⌘	51606-S5T-Z04					
03~05	Si 3 (2000) 3Door	R	B3204	⌘	51605-S5A-A07 51605-S5A-N55 51605-S5D-A05 51605-S5P-G01 51605-S5S-G03 51605-S6A-G03 51605-S6A-G04 51605-S6A-N03 51605-S5A-J55 51605-S5A-R31					52610-S5T-A11 52611-S5A-A02 52611-S5P-A02
		L	B3205	⌘	51606-S5A-A07 51606-S5A-N55 51606-S5D-A05 51606-S5P-G01 51606-S5S-G03 51606-S6A-G03 51606-S6A-N03 51606-S5A-J54 51606-S5D-A05					
03~	Ex,LX(1700)	R	B4020	⌘	51605-S5A-U51 51605-S5A-A09					52610-S5T-A11 52611-S5A-A02
		L	B4021	⌘	51606-S5A-U51 51606-S5A-A09					52611-S5P-A02

CIVIC (Hatchback/Sedan)

95/08~00/09	EK2,EK3		U3736	⌘	51601-S03-J61 51605-S04-J01 51602-S03-J51 51601-S03-J51 51602-S03-J61 51601-S04-J61 51602-S04-J61			U2937	⌘	52610-S03-J01 52611-S04-J01 52610-S04-J01
95/08~00/09	EK4		U3736	⌘	51601-S03-N01 51605-S04-N01 51602-S03-N01					52610-S03-N01 52611-S04-N01
97/08~00/09	EK9				51601-S03-Z01 51605-S03-Z01 51602-S03-Z01					52610-S03-Z01 52611-S04-Z01
00/09~03/09	EU1	R			51601-S6A-N26 51605-S6A-N05					52610-S6A-N24 52611-S6A-N12
		L			51602-S6A-N26 51606-S6A-N05					52620-S6A-N24 52610-S6A-N14 52620-S6A-N14
00/09~05/09	EU2	R			51601-S6C-916 51605-S6C-905					52610-S6C-913 52611-S6C-904
		L			51602-S6C-916 51606-S6C-905					52620-S6C-913
00/09~05/09	EU3	R			51601-S6A-N26 51605-S6A-N05	R				52610-S6A-N55 52611-S6A-N54
		L			51602-S6A-N26 51606-S6A-N05	L				52620-S6A-N55 52611-S6A-N54
00/09~05/09	EU3	R			51601-S6A-801 51605-S6A-801	R				52610-S6A-802 52611-S6A-801
		L			51602-S6A-801 51606-S6A-801	L				52620-S6A-802 52611-S6A-801
00/09~05/09	EU3	R			51601-S6A-802 51605-S6A-802	R				52610-S6A-803 52611-S6A-802
		L			51602-S6A-802 51606-S6A-802	L				52620-S6A-803 52611-S6A-802
00/09~05/09	EU4	R			51601-S6C-916 51605-S6C-905	R				52610-S6C-913 52611-S6C-904
		L			51602-S6C-916 51606-S6C-905	L				52620-S6C-913 52611-S6C-904
00/09~05/09	EU4	R			51601-S6C-917 51605-S6C-906	R				52610-S6C-914 52611-S6C-905
		L			51602-S6C-917 51606-S6C-906	L				52620-S6C-914 52611-S6C-905
05/09~	FD1	R			51601-SNA-916 51605-SNA-905					52610-SNA-903
		L			51602-SNA-916 51606-SNA-905					
06/04~	FD2	R			51601-SNG-J06 51605-SNG-J04					52610-SNA-903
		L			51602-SNG-J06 51606-SNG-J04					

○ Eyering
⊥ Upper Bolt

⊙ Bushing
⊥ Lower Bolt

⊗ XPin Type Bushing
⌘ Suspension Strut

⌘ Coil Over Type
⌘ Strut Cartridge

HONDA



YEAR	MODEL (Make-Name)	FRONT				REAR			
		TOKICO NO. OIL	GAS		OEM NO.	TOKICO NO. OIL	GAS		OEM NO.

CIVIC FERIO

98/09~00/09	EK2,EK3				U3736		51601-S04-J51 51602-S04-J51 51602-S04-J61	51605-S04-J01 51601-S04-J61			U2937		52610-S04-J01 52610-S04-J11	52611-S04-J01
95/08~00/09	EK4				U3736		51601-S04-N11 51602-S04-N11	51605-S04-N01			U2937		52610-S04-N01	52611-S04-N01
95/08~00/09	EK5						51601-S07-J11 51602-S07-J11	51605-S07-J01					52610-S07-J01	52611-SR7-023
95/08~00/09	EK8				U3736		51601-S04-J61 51602-S04-J61	51605-S04-J01			U2937		52610-S04-J01	52611-S04-J01
00/09~04/01	ES1	R					51601-S5A-N19 51602-S5A-N19	51605-S5A-N08 51606-S5A-N08					52610-S5A-N13 52620-S5A-N13	52611-S5A-N05
		L					51601-S5A-N18 51602-S5A-N18	51605-S5A-N07 51606-S5A-N07					52610-S5A-N03 52620-S5A-N03	52611-S5A-N04
04/01~05/09	ES1	R					51601-S5A-N31 51602-S5A-N31	51605-S5A-N08 51606-S5A-N08					52610-S5A-N14 52620-S5A-N14	52611-S5A-N06
		L					51601-S5C-927 51602-S5C-927	51605-S5C-908 51606-S5C-908					52610-S5C-942 52620-S5C-942	52611-S5C-904
00/09~05/09	ES2	R					51601-S5C-926 51602-S5C-926	51605-S5C-907 51606-S5C-907					52610-S5C-941 52620-S5C-941	52611-S5C-903
		L					51601-S5A-N65 51602-S5A-N65	51605-S5A-N08 51606-S5A-N08					52610-S5A-N62 52620-S5A-N62	52611-S5A-G01
00/09~05/09	ES3	R					51601-S5A-N31 51602-S5A-N31	51605-S5A-N08 51606-S5A-N08			U3741		52610-S5A-N14 52620-S5A-N14	52611-S5A-N06
		L					51601-S5A-N32 51602-S5A-N32	51605-S5A-N09 51606-S5A-N09			U3741		52610-S5A-N14 52620-S5A-N14	52611-S5A-N06
00/09~05/09	ET2	R					51601-S5C-926 51602-S5C-926	51605-S5C-907 51606-S5C-907					52610-S5C-941 52620-S5C-941	52611-S5C-903
		L					51601-S5C-927 51602-S5C-927	51605-S5C-908 51606-S5C-908					52610-S5C-942 52620-S5C-942	52611-S5C-904

CIVIC PRO

83/10~87/09	VJ-100,110,120						51605-SB6-004 51605-SB6-014	51606-SB6-004 51606-SB6-014			U2741		52611-SB6-901 52611-SB6-902	52611-SB6-903
-------------	----------------	--	--	--	--	--	--------------------------------	--------------------------------	--	--	-------	--	--------------------------------	---------------

CIVIC SHUTTLE

83/10~85/08	AJ-500,510						51601-SB6-004 51605-SB6-004	51602-SB6-004 51606-SB6-004			U2741		52610-SB6-004 52611-SB6-004	52611-SB6-014
							51605-SB6-931 51606-SB6-931	51606-SB6-931			U2741		52611-SB6-901	
85/09~87/09	AK-520,530						51605-SB6-014 51606-SB6-014	51606-SB6-014			U2741		52611-SB6-982	

CIVIC(GRAND CIVIC)

87/09~89/07	EF1-100,120,EF2-100,120, EF3-100,120,EF2-300,310, EF4-100,110,EF5-100						51605-SH3-003 51605-SH3-004	51606-SH3-003 51606-SH3-004			U2799		52611-SH3-003	52611-SH3-004
89~91/12	EF1-100,120,EF2-100,120, EF3-100,120,EF2-300,310, EF4-100,110,EF5-100	R			U2817		51605-SH3-014 51605-SH3-024 51605-SH3-040 51605-SH3-905	51605-SH3-G05 51605-SH3-N92 51605-SH3-904			U2847		52611-SH3-A03	52611-SH3-A04
		L			U2818		51606-SH3-040	51606-SH3-905						

CIVIC(SPORTS CIVIC)

91/09~95/08	EG3-100,EG4-100,EG5-100, EG6-100	R			U3456		51605-SR3-003 51605-SR3-J01	51605-SR3-N02			U3458		52611-SR3-003	52611-SR3-J01
		L			U3457		51606-SR3-J01 51606-SR3-003	51606-SR3-N02						
91/09~95/08	EG3-100,EG4-100,EG5-100, EG6-100(U.S.Made)	R			U3456		51605-SR0-003				U3713		52611-SR0-B01	
		L			U3457		51606-SR0-003							

○ Eying
└ Upper Bolt

◎ Bushing
T Lower Bolt

⊗ XPin Type Bushing
⊞ Suspension Strut

⊞ Coil Over Type
└ Strut Cartridge

CHRYSLER

DAIHATSU

FORD

HINO

HONDA

ISUZU

JEEP

KIA

MAZDA

HONDA



YEAR	MODEL (Make-Name)	FRONT				REAR			
		TOKICO NO. OIL	TOKICO NO. GAS	⌘	OEM NO.	TOKICO NO. OIL	TOKICO NO. GAS	⌘	OEM NO.

CIVIC(SPORTS CIVIC)(Continued)

92/04~01	EJ1/2(Coupe)	R		U3456	⌘	51605-SR0-023 51605-SR3-J01 51605-SR3-J02	51605-SR8-J01 51605-SR8-J03			U2847	⌘	52611-SR0-N31	52611-SR3-A01
		L		U3457	⌘	51606-SR3-023 51606-SR3-J01 51606-SR3-J02	51606-SR8-J01 51606-SR8-J03						
95/09~00/08	EK#			U3544	⌘	51605-S04-Y02				U2921	⌘	52611-S04-Y02	

CIVIC(WONDER CIVIC)

83/09~87/08	AG-100,110,120,130 AH-100,110,120,130 AJ-100,110,120,130 AK-100,110,120,130	R	●A2071	●B2071	⌘	51601-SB2-014 51601-SB3-671 51605-SB2-014 51605-SB3-931 51605-SB3-932 51605-SB3-961 51605-SB2-024				U2741	⌘	52610-SB3-673 52610-SB3-674 52611-SB3-004 52611-SB3-922 52611-SB3-014 52611-SB3-923 52611-SB3-671 52611-SB3-924 52611-SB3-672 52611-SB3-942 52611-SB3-673 52611-SB3-963 52611-SB3-674 52611-SB3-964 52611-SB3-901 52611-SB3-965	52611-SB3-911 52611-SB3-921 52611-SB3-922 52611-SB3-923 52611-SB3-924 52611-SB3-942 52611-SB3-963 52611-SB3-964 52611-SB3-965
		L	●A2072	●B2072	⌘	51602-SB2-014 51602-SB3-671 51606-SB2-014 51606-SB3-931 51606-SB3-932 51606-SB3-961 51606-SB2-024							
84/09~87/08	AT-100,110,120,AU-100,110,120.					51601-SB2-982 51601-SB2-983	51602-SB2-982 51602-SB2-983			U2741	⌘	52610-SB3-673 52610-SB3-674 52611-SB3-004 52611-SB3-922 52611-SB3-014 52611-SB3-923 52611-SB3-671 52611-SB3-924 52611-SB3-672 52611-SB3-942 52611-SB3-673 52611-SB3-963 52611-SB3-674 52611-SB3-964 52611-SB3-901 52611-SB3-965	52611-SB3-911 52611-SB3-921 52611-SB3-922 52611-SB3-923 52611-SB3-924 52611-SB3-942 52611-SB3-963 52611-SB3-964

CONCERTO

89/06~92	MA1,2(JAPAN MADE)	R		U2817	⌘	51605-SJ4-000	51605-SJ4-900			U2799	⌘	52611-SJ4-000	52611-SJ4-900
		L		U2818	⌘	51606-SJ4-000	51606-SJ4-900						

CR-V

95/10~01/08	RD1,RD2			U3738	⌘	51601-S10-A22 51602-S10-A22 51601-S10-J03 51605-S10-024 51602-S10-J03	51605-S10-A01			U3739	⌘	52610-S10-A11 52611-S10-A01 52610-S10-034 52611-S10-024	52610-S10-A21
01/08~04/09	RD4	R		B4026	⌘	51601-S9A-J16 51601-S9A-J17	51605-S9A-034			U3823	⌘	52610-S9B-N02 52610-S9B-N03 52620-S9B-N02	52611-S9A-N02 52611-S9A-N03 52620-S9B-N02
		L		B4027	⌘	51602-S9A-J16 51602-S9A-J17	51606-S9A-034						
01/08~04/09	RD5	R		B4026	⌘	51601-S9A-J06 51601-S9A-J07	51605-S9A-034			U3823	⌘	52610-S9A-N03 52610-S9A-N04	52611-S9A-N02 52611-S9A-N03
		L		B4027	⌘	51602-S9A-J06 51602-S9A-J07	51606-S9A-034						
04/09~	RD6,RD7	R		B4028	⌘	51601-S9A-J35	51605-S9A-J22			U3823	⌘	52610-S9B-J03 52611-S9A-J02	52610-S9A-J13 52620-S9B-J02
		L		B4029	⌘	51602-S9A-J35	51606-S9A-J22						
06/10~	RE3	R		B3299	⌘	51601-SWA-J15 51601-SWA-J16	51605-SWA-J04 51605-SWA-J05		R	U3834	⌘	52610-SWA-E04 52610-SWA-E05	52611-SWA-E01 52611-SWA-E02
		L		B3300	⌘	51602-SWA-J15 51602-SWA-J16	51606-SWA-J04 51606-SWA-J05		L				
06/10~	RE4	R		B3299	⌘	51601-SWA-J15 51601-SWA-J16	51605-SWA-J04 51605-SWA-J05		R	U3834	⌘	52610-SWA-E14 52610-SWA-E15	52611-SWA-E01 52611-SWA-E02
		L		B3300	⌘	51602-SWA-J15 51602-SWA-J16	51606-SWA-J04 51606-SWA-J05		L				

○ Eying
⊥ Upper Bolt

◎ Bushing
⊥ Lower Bolt

⊗ XPin Type Bushing
⌘ Suspension Strut

⌘ Coil Over Type
⌘ Strut Cartridge

TOKICO SHOCK ABSORBERS

NUMERICAL LISTING

HONDA



YEAR	MODEL (Make-Name)		FRONT				REAR					
			TOKICO NO. OIL	GAS		OEM NO.	TOKICO NO. OIL	GAS		OEM NO.		
87/07~91/08	EF6/7/8	R		U2817	⊕	51605-SH3-901 51605-SH3-905 51605-SH3-N03 51605-SH3-N91	51605-SH3-903 51605-SH3-N00 51605-SH3-N04		U2799	⊕	52611-SH3-004 52611-SH3-020	52611-SH3-024 52611-SH3-N91
		L		U2818	⊕	51606-SH3-901 51606-SH3-905 51606-SH3-N03 51606-SH3-N91	51606-SH3-903 51606-SH3-N00 51606-SH3-N04					
88/01~88/12	ED9 chassis No.S000001~S100001	R				51605-SH3-901			U2799	⊕	52611-SH3-004	
		L				51606-SH3-901						
89/01~92/03	ED9,EE8 chassis No.S100001~	R		U2817	⊕	51605-SH3-904 51605-SH3-N92	51605-SH3-905		U2847	⊕	52611-SH3-A02 52611-SH3-A04	52611-SH3-A03 52611-SH3-G01
		L		U2818	⊕	51606-SH3-904 51606-SH3-N92	51606-SH3-905					
91/09~00	EG1/2	R		U3456	⊕	51605-SR3-J02	51605-SR3-N02		U3458	⊕	52611-SR3-003	52611-SR3-N02
		L		U3457	⊕	51606-SR3-J02	51606-SR3-N02					
92/04~00	EG2,EH6	R		U3456	⊕	51605-SR3-J02 51605-SR3-N02	51605-SR3-J03 51605-SR3-N03		U2847	⊕	52611-SR3-A01	52611-SR3-N12
		L		U3457	⊕	51606-SR3-J02 51606-SR3-N02	51606-SR3-J03 51606-SR3-N03					

FIT ARIA

02/11~05/11	GD6(1300)	R				51605-SEL-J01					52610-SEL-T02	52610-SEL-T01
		L				51606-SEL-J01						
02/11~	GD8(1500)	R				51605-SEL-J01					52610-SEL-T02	52610-SEL-T01
		L				51606-SEL-J01						
02/11~05/11	GD7(1300 4WD)	R				51605-SEW-901					52610-SEW-902	52610-SEW-901
		L				51606-SEW-901						
02/11~	GD9(1500 4WD)	R				51605-SEW-901					52610-SEW-902	52610-SEW-901
		L				51606-SEW-901						

FIT/JAZZ

01/06~	GD1(1300) GD2(1300 4WD)	R		B2288	⊕	51601-SAA-G02 51601-SAA-J25 51605-SAA-033	51601-SAA-J15 51601-SAA-G12 51605-SAA-G02		E20012	⊥ ⊙	52610-SAA-G02	52610-SAA-N01
		L		B2289	⊕	51602-SAA-G02 51602-SAA-J25 51606-SAA-033	51602-SAA-J15 51602-SAA-G12 51606-SAA-G02					
02/09~	GD1(1300) GD3(1500)	R		B2290	⊕	51601-SAA-J51 56105-SAA-004 51605-SAG-C02	51601-SAA-J61 51605-SAA-J51		E20012	⊥ ⊙	52610-SAA-E03 52610-SAA-J11	52610-SAG-C02 52610-SAA-J02
		L		B2291	⊕	51602-SAA-J51 56106-SAA-004	51602-SAA-J61 51606-SAA-J51					
02/09~	GD4(1500)	R				51601-SAB-904 51601-SAB-913	51605-SAB-903				52610-SAB-024	
		L				51602-SAB-904 51602-SAB-913	51606-SAB-903					
04/01~	GD2(1300)	R				51601-SAB-914	51605-SAB-903				52610-SAB-034	
		L				51602-SAB-914	51606-SAB-903					
04/01~	GD4(1500)	R				51601-SAB-905 51601-SAB-914	51605-SAB-903				52610-SAB-034	
		L				51602-SAB-905 51602-SAB-914	51606-SAB-903					
07/10~	GE6(1300)	R				51610-TF0-J23	51611-TF0-J03				52610-TF0-J03	
		L				51620-TF0-J23	51621-TF0-J03					
07/10~	GE8(1500)	R				51610-TF0-J13	51611-TF0-G03				52610-TF0-J13	
		L				51620-TF0-J13	51621-TF0-G03					
07/10~	GE7(1300) GE9(1500)	R				51610-TF6-023	51611-TF6-023				52610-TF6-023	
		L				51620-TF6-023	51621-TF6-023					
04~06	GD1/GD3 For Thailand	R		B2286	⊕	51605-SAE-T02			E20013	⊥	52611-SEL-T012	
		L		B2287	⊕	51606-SAE-T02				○		

○ Eyering
⊥ Upper Bolt

⊙ Bushing
⊥ Lower Bolt

⊗ XPin Type Bushing
⊕ Suspension Strut

⊕ Coil Over Type
⊔ Strut Cartridge

CHRYSLER

DAIHATSU

FORD

HINO

HONDA

ISUZU

JEEP

KIA

MAZDA

HONDA



YEAR	MODEL (Make-Name)	FRONT					REAR				
		TOKICO NO. OIL	GAS		OEM NO.		TOKICO NO. OIL	GAS		OEM NO.	

FIT/JAZZ(Continued)

03/01~	GD2,4(1300,1500)	R		B2288	⊕	51605-SEN-C02			E20012	⊥	52610-SEN-C02	
	china	L		B2289	⊕	51606-SEN-C02				⊙		

INTEGRA

89/04~93/04	DA5,6,7,8	R		U2817	⊕	51605-SK7-004	51605-SK7-N02				52611-SK7-004	52611-SK7-010
		L		U2818	⊕	51606-SK7-004	51606-SK7-N02					
93/05~01/06	DB6,7,8,DC1,2	R		U3456	⊕	51605-SR3-013	51605-ST7-J02		U3458	⊕	52611-SR3-003	52611-ST7-003
		L		U3457	⊕	51606-SR3-013	51606-ST7-J02					
						51605-SR3-J02	51605-ST7-N01					
						51606-SR3-J02	51606-ST7-N01					
						51605-SR3-J03	51605-ST7-N02					
						51606-SR3-J03	51606-ST7-N02					

PRELUDE

82/11~87/03	AB-100,110,125,129 ***Excl.XC,XJ BA1-100,104		Q2689		⊕	51605-SB0-013		R	●A2075	●B2075	⊕	52611-SB0-003	52611-SB0-024
						51605-SB0-014						52611-SB0-004	52611-SB0-951
						51605-SB0-023						52611-SB0-013	52611-SB0-952
						51605-SB0-024						52611-SB0-014	52611-SB0-954
						51605-SB0-034		L	●A2076	●B2076	⊕	52612-SB0-003	52612-SB0-024
												52612-SB0-004	52612-SB0-951
												52612-SB0-013	52612-SB0-952
												52612-SB0-014	52612-SB0-954
87/04~91/08	BA-100,110(Excl.Si) BA5-100 BA4-110(Si) BA5-110(XX,Si)	R	Q2781	U2781	⊕	51605-SFI-010	51605-SFI-923					52611-SFI-902	51612-SFI-902
		L	Q2782	U2782	⊕	51606-SFI-010	51606-SFI-923					52620-SFI-905	52620-SFI-024
						51605-SFI-014	51605-SFI-925						
						51606-SFI-014	51606-SFI-925						

VIGOR

85/06~89/12	CA1-100,106,120,CA2-100, 106,120,CA3-100,106,120, CA5-100	R	Q2781	U2781	⊕	51605-SE0-003	51605-SE0-931		Q2783	U2783	⊕	52610-SE0-651	52620-SE0-651
						51605-SE0-010	51605-SE0-932					52610-SE0-654	52620-SE0-654
						51605-SE0-013						52610-SE0-655	52620-SE0-655
		L	Q2782	U2782	⊕	51606-SE0-003	51606-SE0-931					52610-SE0-931	52610-SE0-935
						51606-SE0-010	51606-SE0-932					52610-SE0-934	52610-SE0-945
						51606-SE0-013							

○ Eyering
⊥ Upper Bolt

⊙ Bushing
⊥ Lower Bolt

⊗ XPin Type Bushing
⊕ Suspension Strut

⊕ Coil Over Type
⊔ Strut Cartridge

ISUZU

ASKA	70
BRAVA.....	72
BUS.....	70
CABIN DAMPER	70
CAMBO	72
D-MAX.....	70
ELF.....	70-71
ELF(4WD)	71
ELF150.....	71
ELF250.....	71
"ELF250 WIDE,350"	71-72
FARGO.....	72
FASTER.....	72
GEMINI.....	73
HIGHPACK VAN.....	73
HI-LANDER	73
JOURNEY(LIGHT BUS)	73
LIGHT ELF	71
MIDI.....	72
PANTHER	73
RODEO	70,72
RODEO BIG HORN	73-74
SETA.....	72
TFR	70
TFS	70
TROOPER.....	72-74
TRUCK.....	74-75

ISUZU



YEAR	MODEL (Make-Name)	FRONT				REAR			
		TOKICO NO. OIL	GAS	⌚	OEM NO.	TOKICO NO. OIL	GAS	⌚	OEM NO.

ASKA

83/04~90	JJ110,JJ120(Turbo)	S4002		⌚	8-94118-285-0 8-94118-286-0 8-94254-334-2	8-94118-287-0 8-94118-288-0 8-94254-335-2		2751	●EL2751	⌚	8-94118-304-0 8-94254-321-2
83/04~90	JJ120(ELECTRO)	S4002		⌚	8-94254-334-2	8-94254-335-2					8-94122-930-0 8-94122-931-0
85/06~90	JJ110,120,510(LS)	S4004	●Z4004	⌚	8-94403-860-2	8-94403-861-2					8-94419-273-0
85/06~90	JJ110,JJ510,120(LT,LJ,LX,LF,LS/J)	S4004	●Z4004	⌚	8-94403-856-1 8-94403-858-1	8-94403-857-1 8-94403-859-1		2751	●EL2751	⌚	8-94254-321-2
85/06~90	JJ120(Excl LS)				8-94416-262-0			2751	●EL2751	⌚	8-94254-321-2
83/04~90	JJ110,120	S4002		⌚	8-94108-598-2					⌚	

BUS

58~65	BD	5016		⊙	9-51630-286-0	9-51630-374-0		●6023		⌚	9-51630-370-0 9-51630-388-0
59~64	BB	4002		⌚	9-51630-177-0 9-51630-237-0	9-51630-339-0		-----			9-51630-221-0 9-51630-270-0
59~72	BX	4002		⌚	9-51630-177-0 9-51630-237-0	9-51630-339-0		●6008		⌚	9-51630-268-0 9-51630-342-0
78/11~80/11	ECM430	5016		⊙	1-51630-006-0			-----			9-51630-381-0
80/02~	CLM,CJM,CPM(Leaf Spring)	5016		⊙	1-51630-076-0			-----			1-51630-077-0
80/11~	ECM430	5016		⊙	1-51630-076-0			-----			1-51630-077-0
81/11~	CQA,CQM,CHA,CHM	5016		⊙	1-51630-076-0			-----			1-51630-077-0
82/05~	EDM430	5016		⊙	1-51630-076-0			-----			1-51630-077-0
84/03~	LV314,318(Leaf Spring)(Excl. Low Floor Model)	5016		⊙	1-51630-079-0			-----			1-51630-077-0

CABIN DAMPER

85/02~94/03	ES,FT,FR	2894R		⊙	1-51630-132-0			2895R		⌚	1-51630-149-1
87/07~01/12	CX,CY	2869R		⊙	1-51630-104-2 1-51630-151-1	1-51630-151-0		2870R		⊙	1-51630-105-2 1-51630-152-0 1-51630-152-1

D-MAX/RODEO/TFR/TFS

02~	TFSR(D/EL3)Series 2WD ALL		U3776	⌚	8-97236-299-0			E3777	⊙	8-97368-600-0
02~	TFS(D/ER3)Series 4WD ALL		E3778	⌚	8-97251-556-2 8-97368-597-0 8-97371-639-1 8-97372-286-0 8-97372-287-0 8-97940-815-3	8-97368-596-0 8-97371-639-0 8-97372-286-0 8-97940-815-3		E3779	⊙	8-97301-842-4 8-97368-599-0 8-97368-601-0 8-97368-603-0 8-97371-613-0 8-97940-844-4
02~	TFR(D/EL3)Series 2WD without High RideSuspension ALL				8-97244-955-3 8-97371-749-0	8-97244-955-4		E3777	⊙	8-97301-843-4 8-97368-600-0 8-97940-845-4
02~	TFR(D/EL3)Series 2WD with High RideSuspension ALL		E3778	⌚	8-97251-556-2 8-97368-597-0 8-97371-639-1 8-97372-286-0 8-97372-287-0 8-97940-815-3	8-97368-596-0 8-97371-639-0 8-97372-286-0 8-97940-815-3		E3779	⊙	8-97301-842-4 8-97368-599-0 8-97368-601-0 8-97368-603-0 8-97371-613-0 8-97940-844-4

ELF

74~84/05	TL-20,TL23N,24N,34N(Flat Low Deck),TL-20(Excl.Flat Low Deck) TL23N,24N,34N(Flat Low Deck) TL23N,24N(Flat Low Deck)	3169	●EL3169	⌚	8-97253-609-0	9-51630-665-0 9-51630-665-1		3391	-----	⊙	5-51630-002-0 5-51630-002-1 5-51630-062-0 9-51630-666-0
70~84/05	TL-10,20,30(TL-20,1970-74) TL34(Flat Low Deck),KT15A,16A, 24A,25A(Flat Low),TL40,50,70	3169	●EL3169	⌚	8-97253-609-0 9-51630-321-0	9-51630-060-1 9-51630-665-0 9-51630-665-1		3165	●EL3165	⊙	5-51630-062-0 8-97253-658-0 9-51630-300-0 9-51630-660-0 9-51630-661-0 9-51630-666-0
70~84/05	TL-60	3169	●EL3169	⌚	8-97253-609-0 9-51630-321-0	9-51630-665-0 9-51630-665-1		4018		⊙	9-51630-253-0 9-51630-253-1

⊙ Eying
⌚ Upper Bolt

⊙ Bushing
⌚ Lower Bolt

⊗ XPin Type Bushing
⌚ Suspension Strut

⌚ Coil Over Type
⌚ Strut Cartridge

TOKICO SHOCK ABSORBERS

NUMERICAL LISTING

ISUZU



YEAR	MODEL (Make-Name)	FRONT				REAR			
		TOKICO NO. OIL	GAS	⌄	OEM NO.	TOKICO NO. OIL	GAS	⌄	OEM NO.

ELF(Continued)

70~84/05	KS(ELF350),KS,KT,(Excl.15A,16A,24A,25A,26A,Flat Low)	4029		⌄ ○	9-51630-647-0 9-51630-647-1		3165	●EL3165	○	5-51630-062-0 9-51630-666-0 9-51630-300-0
70~81/09	TL40,50,70	3169	●EL3169	⌄ ○	8-97253-609-0 9-51630-665-0 9-51630-321-0 9-51630-665-1		3166		○	8-97253-658-0 9-51630-661-0 9-51630-322-0
80~84/05	TL34N(Flat Low Deck)	3169	●EL3169	⌄ ○	8-97253-609-0 9-51630-665-1		3068	E3344 ●EL3344	○ ○ ○ ○	5-51630-052-0
82/06~84/05	KT26A(Flat Low)	3169	●EL3169	⌄ ○	8-97253-609-0 9-51630-060-0		-----			5-51630-070-0

ELF(4WD)

87/09~	NKS58***Damp	3169	●EL3169	⌄ ○	8-94440-038-1 8-97253-609-0		3166		○ ○	8-94119-685-0 8-97253-658-0
87/09~	NKS58***Excl.Damp	3169	●EL3169	⌄ ○	8-94440-038-1 8-97253-609-0		4018		○ ○	9-51630-253-2
87/12~	NPS58,59	4029		⌄ ○	8-94431-219-0		3165	●EL3165	○ ○	9-51630-666-0

ELF150

84/06~97	NHR54,55	3169	●EL3169	⌄ ○	8-94167-458-0 8-94446-690-0 8-94167-458-1 8-97253-609-0 8-94249-333-1 9-51630-665-2		3391	-----	○ ○	5-51630-048-1 8-94167-460-1
----------	----------	------	---------	--------	---	--	------	-------	--------	--------------------------------

ELF150/LIGHT ELF

68~	KA20,40,50 KAG51ZVE(9-Seater Van)	3169	●EL3169	⌄ ○	5-51630-001-0 9-51630-249-0 8-97253-609-0 9-51630-309-0 9-51630-294-0 9-51630-631-0		3068	E3344 ●EL3344	○ ○ ○ ○	9-51630-295-0 9-51630-310-0
72~84/05	KA41,KA51,KAG41,KAG51,V, KAD41,KAD51,V,(Incl.Flat Low. Excl.Flat Low Van),KA41V, 51V(Van),KAD42,52(Excl.Bus) KA51NV,52NV(Flat Low Van)	3169	●EL3169	⌄ ○	5-51630-001-0 9-51630-309-0 8-97253-609-0 9-51630-631-0 9-51630-249-0		3391	-----	○ ○	9-51630-671-0 9-51630-041-0
81~82	KAG51ZVE	3169	●EL3169	⌄ ○	5-51630-001-0 9-51630-309-0 8-97253-609-0 9-51630-631-0 9-51630-249-0					5-51630-066-0

ELF250

84/06~	NKR55,57(Double Tire***E4,Less than 2.6m Wheelbase Excl.2.46m)	3169	●EL3169	⌄ ○	8-97253-609-0 9-51630-665-2 8-94249-333-1 9-51630-665-3		4018		○ ○	9-51630-253-1
84/06~	NKR55,57(Single Tire,E1 Flat Low Bias ,Double Tire***E3(1.75t,2t)	3169	●EL3169	⌄ ○	8-97253-609-0 9-51630-665-2 8-94249-333-1		3391	-----	○ ○	5-51630-048-1 8-94249-402-1
84/06~	NKR55,57(Double Tire*** Wheelbase 2.46m),E2(2.25t,2.75t)	3169	●EL3169	⌄ ○	8-97253-609-0 9-51630-665-2 8-94249-333-1		3166		○ ○	8-97253-658-0 9-51630-661-0
86~97	NKR55,NHR55	3537		⌄ ○	8-97107-985-0		3178		○ ○	8-94249-402-1
	NKR LONG(Rigid)						3576		○ ○	8-97253-651-0
	NKR 55E-1E(Rigid)	3577		⌄ ○	8-97253-599-0					
86~97	NKR55 S/T(Rigid)						3578		○	8-97107-986-0 8-97253-641-0
96~	NKR66E	3794		⌄ ⊙	8-97253-592-0				⊗	

ELF250 WIDE,350

84/06~	NPR57,59,NPR57,58,59(W Tire)	4029		⌄ ○	9-51630-647-1		3165	●EL3165	○ ○	9-51630-666-0
86/02~	NPR57,58,59(Small Diameter W Tire)	4029		⌄ ○	9-51630-647-1		3166		○ ○	8-97253-658-0 9-51630-661-0

○ Eyering
⌄ Upper Bolt

⊙ Bushing
⌋ Lower Bolt

⊗ XPin Type Bushing
⌋ Suspension Strut

⊕ Coil Over Type
⌋ Strut Cartridge

CHRYSLER

DAIHATSU

FORD

HINO

HONDA

ISUZU

JEEP

KIA

MAZDA

ISUZU



YEAR	MODEL (Make-Name)	FRONT				REAR			
		TOKICO NO. OIL	GAS	⌚	OEM NO.	TOKICO NO. OIL	GAS	⌚	OEM NO.

ELF250 WIDE,350(Continued)

	NPR(Rigid)	3575		⌚	8-97253-617-0					
				○						
96~	NPR71L	4117		⊙	8-97083-035-0					
90~	ELF Steering Damper	SD1215		⊙	8-97012-618-2					
				⊙						

FARGO/MIDI/SETA

80~86/11	WFR10,11,12,50,51,53	3317		⌚	8-94226-971-0		3068	E3344	○	8-94226-583-0	
				⊗				●EL3344	○	8-94226-583-1	
				○					○		
86/11~88/11	WFR10,11,12,50,51,53	3317		⌚	8-94226-971-0		3068	E3344	○	8-94455-822-0	
				⊗					○		
88/11~	WFR10,11,50,51,53(9800series 2WD)	3317		⌚	8-94468-290-1		3068	E3344	○	8-94455-822-0	
				⊗					○		
83/11~	WFS51,53				8-94101-317-0					8-94259-563-1	8-94259-565-1
										8-94259-566-0	8-94455-823-0

FASTER/RODEO/TROOPER/CAMBO/BRAVA

72~76/12	KB20	2204	●EL2204	⌚	9-51630-659-0	9-51630-674-1		3068	E3344	○	9-51630-660-0	9-51630-675-1
			E2693	⊙					●EL3344	○		
				⊙						○		
77/01~79/12	KB20	2204	●EL2204	⌚	9-51630-659-3	9-51630-674-2		2186	E2186	○	5-51630-018-2	5-51630-019-1
			E2693	⊙					-----	○		
				⌚								
				⊙								
79/05~80/10	KBD40(4WD)	2204	●EL2204	⌚	9-51630-659-3	9-51630-674-2		2186	E2186	○	5-51630-046-1	5-51630-047-1
			E2693	⊙					-----	○		
				⌚								
				⊙								
79/12~80/10	KB20	2204	●EL2204	⌚	9-51630-659-3	9-51630-674-2		2186	E2186	○	5-51630-046-1	5-51630-047-1
			E2693	⊙					-----	○		
				⌚								
				⊙								
79/12~80/10	KB25	2204	●EL2204	⌚	9-51630-659-3	9-51630-674-2		2186	E2186	○	5-51630-018-2	5-51630-019-1
			E2693	⊙					-----	○		
				⌚								
				⊙								
80/10~	KBD21,26	2618	E2618	⌚	8-94223-752-0			2619	E2619	○	8-94223-293-1	8-94426-944-0
			●EL2618	⊙					●EL2619	○		
				⌚						○		
				⊙						○		
80/10~	KBD41(4WD),46(4WD)	2204	E2693	⌚	9-51630-659-3			2619	E2619	○	8-94223-293-1	8-94426-944-0
			●EL2204	⊙					●EL2619	○		
				⌚						○		
				⊙						○		
82/12~	KBD42(4WD)	2204	E2693	⌚	9-51630-659-3			2768		○	8-94113-468-0	8-94254-615-0
			●EL2204	⊙						○		
				⌚								
				⊙								
87~	TF940(2WD)		E2914	⌚	8-94454-918-0	8-94454-918-2			E3528	○	8-94454-920-0	8-94454-921-0
				⊙						○		
87~	TF940(4WD)		E2915	⌚	8-94454-919-0	8-94454-919-2			E3528	○	8-94454-920-0	8-94454-921-0
				⊙	8-97188-418-0					○	8-94454-920-2	
83/05~00/01	Steering Damper	SD1001		⊙	8-94232-382-0	8-94241-469-1						
				⊙	8-94241-469-0	8-94241-469-2						
88/04~97on	Steering Damper	SD1009		⊙	8-94312-814-0	8-97161-106-0						
				⊙	8-94312-814-1							

○ Eyering
⌚ Upper Bolt

⊙ Bushing
⌚ Lower Bolt

⊗ XPin Type Bushing
⌚ Suspension Strut

⌚ Coil Over Type
⌚ Strut Cartridge

TOKICO SHOCK ABSORBERS

NUMERICAL LISTING

ISUZU



YEAR	MODEL (Make-Name)	FRONT					REAR				
		TOKICO NO. OIL	GAS		OEM NO.		TOKICO NO. OIL	GAS		OEM NO.	
GEMINI											
74~87/01	PF50,60,PF60	2285	●E2616 ●EL2616	⊥ ⊙ ⊥ ⊙	8-94203-209-1 8-94207-076-0 8-94251-419-1	8-94213-238-0 8-94253-145-0	2284	●E2617 ●EL2617	⊥ ⊙ ⊥ ⊙	8-94200-219-3 8-94251-423-1	8-94213-245-0 8-94253-147-0
79/11~87/01	PF60(ZZT,ZZL,ZZR,ZZT)	2285	●E2616 ●EL2616	⊥ ⊙ ⊥ ⊙	8-94222-020-0 8-94251-417-0	8-94251-421-1	●2617	●E2617 ●EL2617	⊥ ⊙ ⊥ ⊙	8-94224-099-1 8-94251-425-1	8-94251-427-1
85/03~90/03	JT150,600	-----			8-94411-187-0 8-94411-187-1 8-94411-752-0 8-94413-752-1	8-94411-186-0 8-94411-186-1 8-94411-751-0 8-94413-751-1	E1176		⊥ ⊙ ⊥ ⊙	8-94177-235-0 8-94407-626-1 8-94407-626-2 8-94428-697-0	8-94407-626-1
85/08~90/03	JT600(Diesel)	-----			8-94418-677-0	8-94418-676-0	E1176		⊥ ⊙	8-94177-235-0	

HIGHPACK VAN

83/01~	UFR52G	2618	●EL2618	⊥ ⊙	8-94223-752-0		3178	-----	○ ○	5-51630-041-0	8-94167-460-1
--------	--------	------	---------	--------	---------------	--	------	-------	--------	---------------	---------------

HI-LANDER

00~	MSG-5K(2.5D),AWO3-72LE (2.5Turbo-D)	2618	E2618	⊥ ⊙	8-97014-042-0		2619	E2619	○ ○	8-97109-633-0	
-----	--	------	-------	--------	---------------	--	------	-------	--------	---------------	--

JOURNEY(LIGHT BUS)

72~	KA41,42,51,52	3169	●EL3169	⊥ ○	5-51630-001-0	8-97253-609-0	3178	-----	○ ○	9-51630-671-0	
72/10~80/01	BL,BE(Deluxe w/Air Conditioner)	4029		⊥ ○	9-51630-647-1		3165	●EL3165	○ ○	9-51630-666-0	
72/10~80/01	BL,BE(Excl.Deluxe w/ Air Conditioner)	4029		⊥ ○	9-51630-647-1		3166		○ ○	9-51630-661-0	
76/10~79/04	CCM370,410(Excl.Deluxe Deck)	3232		⊥ ○	1-51630-033-0		4020		⊥ T	9-51630-338-0	
76/10~79/04	CCM370,410 Low Deck	3232		⊥ ○	1-51630-033-0		4002		⊥ T	9-51630-339-0	
79/04~80/09	CCM370,410(Excl. Deluxe Deck)	4046		⊥ ○	1-51630-020-0		4020		⊥ T	9-51630-338-0	
79/04~80/09	CCM370,410 Low Deck	4046		⊥ ○	1-51630-020-0		4002		⊥ T	9-51630-339-0	
80/02~	BL,BE All	4029		⊥ ○	9-51630-647-1		3166		○ ○	9-51630-661-0	
84/03~	LT312	5016		○ ○	1-51630-076-0		-----			1-51630-077-0	

PANTHER

	C190,C233		E2618	⊥ T	8-97955-175-0	8-97014-042		E20001	○ ○	8-97955-176-0	8-97014-043
	TBR541		E2618	⊥ T	8-97956-186			E20001	○ ○	8-97956-187	

RODEO BIG HORN/TROOPER

81/09~	UBS52	2693	E2693	⊥ ⊙	8-94226-944-0	R	2619	E2619	○ ○	8-94124-548-0	8-94124-549-0
						L	2692	●EL2619	○ ○	8-94223-293-1	8-94235-473-0
86/11~88/08	UBS12,52(Excl.Heavy Duty Sus)	3676		⊥ ⊙	8-94438-651-1	R	2835		⊥ ○	8-94438-655-0	8-94438-655-1
						L	●2845		⊥ ○	8-94438-659-0	8-94438-659-1

○ Eying
⊥ Upper Bolt

⊙ Bushing
T Lower Bolt

⊗ XPin Type Bushing
⊞ Suspension Strut

⊞ Coil Over Type
⊞ Strut Cartridge

CHRYSLER

DAIHATSU

FORD

HINO

HONDA

ISUZU

JEEP

KIA

MAZDA

ISUZU



YEAR	MODEL (Make-Name)	FRONT				REAR			
		TOKICO NO. OIL	GAS	⌚	OEM NO.	TOKICO NO. OIL	GAS	⌚	OEM NO.

RODEO BIG HORN/TROOPER(Continued)

86/11~88/08	UBS12,52(Excl.Heavy Duty Sus)	3677		⌚ ⊙	8-94438-652-2			2835 ●2836	⌚ ○ ⌚ ○	8-94438-656-1	8-94438-660-1
88/09~	UBS12,52(Excl.Heavy Duty Sus)	3677		⌚ ⊙	8-94438-652-2			2835 ●2836	⌚ ○ ⌚ ○	8-94316-819-0	8-94316-820-0
88/09~	UBS12,52(Excl.Heavy Duty Sus)	3676		⌚ ⊙	8-94438-651-1		R	2835 ●2844	⌚ ○ ⌚ ○	8-94316-817-0	
							L	●2845	⌚ ○	8-94316-818-0	
88/09~	UBS12,52(Heavy Duty Sus)		E3518	⌚ ⊙	8-94318-701-0	8-94449-663-0		E3496	⌚ ○	8-94449-664-1	8-94449-665-1
								E3435 ●E3436	○ ○ ○ ○	8-94408-137-0	8-94408-138-0
88/04~	UBS	2864		⌚ ⊙	8-94433-687-1 8-94433-688-1	8-94433-687-2		2861 ●2862	○ ○ ○ ○	8-94473-186-0	8-94433-697-1
88/04~		2865	E2914 ●EL2865	⌚ ⊙ ⌚ ⊙	8-94446-373-1	8-94454-918-2		2861 ●2862	○ ○ ○ ○	8-94473-186-0	8-94433-697-1
	UBS	2898		⌚ ○	8-94124-547-0						
91/11~	UBS69DW,UBS25DWC(Irmscher)		E3735	⌚ ⊙	8-97043-816-1					8-97043-818-0	
91/11~	UBS69GW(Irmscher)		E3735	⌚ ⊙	8-97043-816-1			E3567	⊙ ○	8-97043-817-0	8-97043-817-2
92~	UBS		E3708	⌚ ⊙	8-97039-319-1 8-97043-816-1	8-97039-320-1		E3495	⊙ ○	8-97039-322-1	
98/02~	UBS26/73,V6-3.5/3.0D, 4WD Wagon		E3735	⌚ ⊙	8-97043-816-2 8-97043-816-3 8-97113-500-3	8-97113-500-2 8-97043-816-4		E3793	⊙ ○	8-97043-817-1	8-97043-817-2 8-97043-828-1 8-97043-818-2
83/05~00/01	Steering Damper	SD1001		⊙	8-94241-469-0 8-94241-469-1	8-94241-469-2					
88/04~97on	Steering Damper	SD1009		⊙	8-94312-814-0 8-94312-814-1	8-97161-106-0					

TRUCK

61~69		3024		⌚ ○	9-51630-171-0			3025	○ ○	9-51630-172-0	
68~	TM65,TP61							6020	○ ○	9-51630-377-0	
67~80/02	TD ,SFR	5016		○ ○	9-51630-286-0	9-51630-374-0					
70~74/05	FORWARD SBR	3148		⌚ ○ ○	9-51630-178-0	9-51630-391-0					
72~	SR,SP,VPZ,VPR,VWJ,VWR,VWZ SPG,SSZ,SSM,SP (Excl.SRZ)	5019		○ ○	1-51630-011-0	9-51630-378-0					
75/08~79/10	SBR372(Excl.RL6,RL36)	3232		⌚ ○	1-51630-039-0 1-51630-039-1	1-51630-039-2		4020	⌚ T	9-51630-338-0	
75/12~83/12	FORWARD JBR,JCR,JDR	4046		⌚ ○	1-51630-020-0						
77/09~	SP(Excl.SPG),SRZ,SSZ,SM (Excl.SMG)	5037		⌚ ○	1-51630-052-0						

○ Eyering
⌚ Upper Bolt

⊙ Bushing
T Lower Bolt

⊗ XPin Type Bushing
⌚ Suspension Strut

⌚ Coil Over Type
⌚ Strut Cartridge

ISUZU



YEAR	MODEL (Make-Name)	FRONT				REAR			
		TOKICO NO.		⊕	OEM NO.	TOKICO NO.		⊕	OEM NO.
OIL	GAS	OIL	GAS						

TRUCK(Continued)

78/04~79/12	SMG	5019		○	1-51630-011-0		5019		○	1-51630-011-0
78/08~80/05	FORWARD SCS Bus (SC370WJJX)	3232		⊥ ○	1-51630-033-0		4046		⊥ ○	1-51630-020-0
79/10~85/12	SP,SQ,SH,ST,SV,SR ,S/SM,S/SZ SLR,SSG,SMG,SMK,SMR,SMM, SMZ,VVZ,VSZ(Tractor),SSK701, S/VG,CXK,CXM,CXZ,CXG16,17, 19,21,23,CVR14,17,E/XZ	5042		⊥ ○	1-51630-053-0 1-51630-053-2 1-51630-053-1					
79/12~	TWD50,55,85	4002		⊥ T	9-51630-339-0					
79/12~	VSR300,VTR,VVR(OPT)	5042		⊥ ○	1-51630-053-0 1-51630-053-2 1-51630-053-1		-----			1-51630-100-0
79/12~	VSR300,VTR,VVR(Tractor)	5042		⊥ ○	1-51630-053-0 1-51630-053-2 1-51630-053-1		5042		⊥ ○	1-51630-053-0
83/08~	CXH19, FORWARD FTR11,12	4046		⊥ ○	1-51630-020-0 1-51630-173-1					
80/05~	TXD23,40,45,50,55,60	4002		⊥ T	9-51630-339-0					
80/12~83/12	SBR,SCR,SDR (Low Body)	3232		⊥ ○	1-51630-033-0		4020		⊥ T	9-51630-338-0
81/01~	SMH,SSH	4046		⊥ ○	1-51630-020-0					
81/11~	VSR310	5042		⊥ ○	1-51630-053-0 1-51630-053-2 1-51630-053-1					1-51630-100-0
83/08~	CXG16,17,19,21,23	5016		○ ○	1-51630-131-0					
83/09~	EXR(Wheelbase3.1m)	5042		⊥ ○	1-51630-053-0 1-51630-053-2 1-51630-053-1					1-51630-100-0
84/01~	FORWARD FRR(Wheelbase4001 ~6500m/m)				1-51630-121-0		4020		⊥ T	9-51630-338-0
	UC(CHINA)		E3573	⊥ ⊕	8-97012-317-1			E3574	⊥ ○	8-97178-162-1
	Steering Damper(TSD,TWD)	SD2585		⊕ T	1-51600-176-0					
	Steering Damper(GM-LUV)	SD1001		⊕	8-94241-469-1					
	Steering Damper(SKW)	-----		⊕	1-51630-050-0					1-51630-051-0

○ Eyering
⊥ Upper Bolt

⊕ Bushing
T Lower Bolt

⊗ XPin Type Bushing
⊕ Suspension Strut

⊕ Coil Over Type
⊔ Strut Cartridge

CHRYSLER
DAIHATSU
FORD
HINO
HONDA
ISUZU
JEEP
KIA
MAZDA

MEMO

JEEP

GRAND CHEROKEE 78

JEEP



YEAR	MODEL (Make-Name)	FRONT				REAR			
		TOKICO NO. OIL	GAS		OEM NO.	TOKICO NO. OIL	GAS		OEM NO.

GRAND CHEROKEE

99~04	WJ (Exc up-Country Susp)				52088812A0				52088221AK
05~	WK				52090246AJ	52090246AL			52089751AJ 05191274AD 52089751AK 05191274AK

CHRYSLER

DAIHATSU

FORD

HINO

HONDA

ISUZU

JEEP

KIA

MAZDA

○ Eying
⊥ Upper Bolt

◎ Bushing
T Lower Bolt

⊗ XPin Type Bushing
⊞ Suspension Strut

⊕ Coil Over Type
⊔ Strut Cartridge

KIA

BESTA..... 80

KIA



YEAR	MODEL (Make-Name)	FRONT				REAR			
		TOKICO NO. OIL	GAS		OEM NO.	TOKICO NO. OIL	GAS		OEM NO.

BESTA

93~	K70Y/Z:2.2D	3595			K710-34-700	M71E-34-700		2969			K721-28-700A
-----	-------------	------	--	--	-------------	-------------	--	------	--	--	--------------

CHRYSLER

DAIHATSU

FORD

HINO

HONDA

ISUZU

JEEP

KIA

MAZDA

Eyering
 Upper Bolt

Bushing
 Lower Bolt

XPIN Type Bushing
 Suspension Strut

Coil Over Type
 Strut Cartridge

MAZDA

323	83-86	MAZDA 6	87-88
616	82	MAZDA 8	88
626	82-83,88	MAZDA FIGHTER(BT50)	87
808	89	MIATA	88
929	86	MILLENIUM	88
FORD FREDA	82	MPV	88
323F	85	MX-3	88
ASTINA	85	MX-5	88
ATENZA	87-88	MX-6	82-83
AXELA	87	NEW MILLENIUM	88
AZ-3	88	PREMACY	88
BONGO	82	PRESSO	88
BONGO BONDY	82	PROBE	88
BONGO FORD J80	82	PROCEED	88-89
BRAWNY	82	PROTEGE	85
CAPELLA	82-83	ROADSTER	88
CRONOS	82-83	RX-3	89
CX-7	83	RX-4	86
CX-9	83	SAVANNA	89
DEMIO	83	SPECTRON	82,86
E2000,E2300,E2500	83	TITAN	89
EUNOS500	83	TITAN CABIN DAMPER	89
FAMILIA	83-86	TITAN WALK THROUGH	89
FORD ESCAPE	89	TRIBUTE	89
FORD J100	86	XEDOS6	83
FORD J80	86		
FORD LASER	85-86		
FORD MAVERICK	89		
FORD RANGER	87		
FORD TELSTAR	82-83		
FRIENDEE	82		
GRAND FAMILIA	89		
LANTIS	85		
LIATA	85		
LUCE	86		
MAZDA 2	83		
MAZDA 3	87		

MAZDA



YEAR	MODEL (Make-Name)	FRONT				REAR			
		TOKICO NO. OIL	GAS	⌄	OEM NO.	TOKICO NO. OIL	GAS	⌄	OEM NO.

BONGO FORD J80/SPECTRON/BRAWNY

83/09~97/04	SSF8VE(2WD),VAN	2735	E2735	⌄ ⊗	S083-34-700		2186	E2186	○ ○	S083-99-281
87/12~97/04	SS28ME(4WD),VAN				S231-34-700		2186	E2186	○ ○	S083-99-281
83/12~97/04	SEF8TE(2WD),TRUCK	2735	E2735	⌄ ⊗	S083-34-700		2614		○ ○	S085-99-281
87/12~97/04	SE28ME(4WD),TRUCK				S231-34-700		2614		○ ○	S085-99-281
87/12~97/04	SSF8RE(4WD)				S566-34-700		2186	E2186	○ ○	S083-99-281

BONGO/BONGO BONDY

77~80/02	BA2 (Incl.10-seater Wagon,Excl.9-seater Wagon)	2503		⌄ ⊗	1391-34-700		2504		○ ○	1391-28-700
78/10~80/02	BA2V8H(9-seater Wagon)	2503		⌄ ⊗	1391-34-700		2614		○ ○	1410-28-700
80/02~83/04	All BA2 (Incl.Wagon,Multi Van, Wide & Low)	2503		⌄ ⊗	1391-34-700	1391-34-700A	2504		○ ○	0391-28-700 0391-28-700A

BONGO/FRIENDEE/ FORD FREDA

95~03	GAS/DIESEL 2.0,2.5	R	A3218		⌄	S10H-34-700		E4107	⊗	S10H-28-700 S10H-28-700D
		L	A3219		⌄	S10H-34-900				

CAPELLA/616

78/10~79/05	CB2	S1064	-----	⌄	8173-34-910 8173-34-910A	8173-34-960 8173-34-960A	2316	E2316 ●EL2316	⌄ ○ ⌄ ○	8173-28-700
79/02~80/02	CB2VS				4116-34-910	4116-34-960	2316	E2316 ●EL2316	⌄ ○ ⌄ ○	8173-28-700
79/05~83/09	CB2	S1064	-----	⌄	8171-34-910 8171-34-910A 8171-34-960	8171-34-960A 8171-49-790	2316	E2316 ●EL2316	⌄ ○ ⌄ ○	8173-28-700 8218-28-700
80/02~83/09	CB2VS(TAXI)	●S3051		⌄	4120-34-910 4120-34-910A	4120-34-960 4120-34-960A	2316	E2316 ●EL2316	⌄ ○ ⌄ ○	8218-28-700

CAPELLA/626/FORD TELSTAR/MX-6/CRONOS

82/09~85/01	GCEP,GCEPF(STD Suspension) GC6P,GC6PF,GC8J GC8PE,GC8P(STD Suspension) GCEP,GCFJ,GCFPF(Diesel)	R	A2058	●B2058	⌄	G030-34-700C G030-34-700D	G041-34-700C G041-34-700D	R	A2060	●B2060	⌄	G030-28-700B G030-28-700D G030-28-700E	G041-28-700E
		L	A2059	●B2059	⌄	G030-34-900C G030-34-900D	G041-34-900C G041-34-900D	L	A2061	●B2061	⌄	G030-28-900A G030-28-900B G030-28-900D	G041-34-900A
85/02~	GC8J	R	A2058	●B2058	⌄	G148-34-700B		R	A2060	●B2060	⌄	G148-28-700A	
		L	A2059	●B2059	⌄	G148-34-900B		L	A2061	●B2061	⌄	G148-28-900A	
88~92	GD6/88/E/F,BT21 2WD	R	A3031	B3031	⌄	G211-34-700 G256-34-700	GJ21-34-700B	A3066	B3066	⌄	G211-28-700E G256-28-700F GJ21-28-700B		
		L	A3032	B3032	⌄	G211-34-900D GJ21-34-900B	G256-34-900D						
91/09~97/05	GE74F(2.5-2WD-4WS)	R	A3098	B3149	⌄	GA8N-34-700	G04S-34-700				GA8N-28-700C		
		L	A3099	B3150	⌄	GA8N-34-900	G04S-34-900						
97/05~02/05	GF1 High Road clearance	R		B3275	⌄	G14F-34-700A	GE4V-34-700A	R		B3196	⌄	GE4V-28-700A GG2N-28-700	GJ1M-28-700
		L		B3276	⌄	G14F-34-900A	GE4V-34-900A	L		B3197	⌄	GE4V-28-900A GG2N-28-900	GJ1M-28-900

○ Eying
⌄ Upper Bolt

⊗ Bushing
⌄ Lower Bolt

⊗ XPin Type Bushing
⌄ Suspension Strut

⌄ Coil Over Type
⌄ Strut Cartridge

TOKICO SHOCK ABSORBERS

NUMERICAL LISTING

MAZDA



YEAR	MODEL (Make-Name)	FRONT				REAR			
		TOKICO NO. OIL	GAS	⌄	OEM NO.	TOKICO NO. OIL	GAS	⌄	OEM NO.

CAPELLA/626/FORD TELSTAR/MX-6/CRONOS(Continued)

97/05~02/05	GF1(1800,2000,200HP,2000TD,2500), 4SD/5HD NORMAL SUS	R		B3273	⌄	G14H-34-700A	GE4T-34-700A	R		B3196	⌄	GE4T-28-700A
		L		B3274	⌄	G14H-34-900A	GE4T-34-900A	L		B3197	⌄	GE4T-28-900A
97/10~02/05	GW1(1800,2000,200HP,2500 ESTATE/WAGON,2000TD), EXCL. SELF-LEVELING REAR SUS	R		B3273	⌄	G14V-34-700A	GF3H-34-700A	R		B4024	⌄	GF3H-28-700A
		L		B3274	⌄	G14V-34-900A	GF3H-34-900A	L		B4025	⌄	GF3H-28-900A
97/10~02/05	GW1 HEIGHTENING ROAD CLEARANCE EXCL SELF-LEVELING REAR SUS	R		B3275	⌄	G15C-34-700A	GF3J-34-700A	R		B4024	⌄	GF3J-28-700B
		L		B3276	⌄	G15C-34-900A	GF3J-34-900A	L		B4025	⌄	GF3J-28-900B

CX-7

06/12~	ER3P(2WD),ER3P(4WD)(2.3L)	R		B3263	⌄	EG21-34-700B	EH14-34-700					EG23-28-910B	EG21-28-910E
		L		B3264	⌄	EG21-34-900B	EH14-34-900						

CX-9

07~	(3.5L)	R		B3265	⌄	TD11-34-700C	TD13-34-700D			E3789	⌄	TD11-28-700C	TD13-28-700C
		L		B3266	⌄	TD11-34-900C	TD13-34-900D				⊗		

DEMIO/MAZDA 2

07/07~	DE3FS,DE5FS	R		B2282	⌄	DF71-34-700F	D651-34-700E					DF71-34-700F	D651-34-700E
						DF71-34-700B	DF71-34-700C						
						DF71-34-700D	DF71-34-700E						
						D651-34-700	D651-34-700A						
						D651-34-700B	D651-34-700C						
						D651-34-700D							
		L		B2283	⌄	DF71-34-900F	D651-34-900E						
						DF71-34-900B	DF71-34-900C						
						DF71-34-900D	DF71-34-900E						
						D651-34-900	D651-34-900A						
						D651-34-900B	D651-34-900C						
						D651-34-900D							

E2000,E2300,E2500

64~81/05	EVA,EW,EXA,AEX,AEV(Bus)		3160		⌄	0183-34-700A			3161		⌄	0183-28-700A	0606-28-700
					T						T		

EUNOS500/XEDOS6

92/06~99	CAEP,CAPP,CA8P(1.8/2.4 4D SED)	R	A3098	B3149	⌄	CA35-34-700A	CA35-34-700B					C001-28-700E	CA35-28-700B
		L	A3099	B3150	⌄	CA35-34-900A	CA35-34-900B						

FAMILIA/323

74~79/11	FA2T (1300 Truck)		2252	-----	⌄	0662-99-341B	2461-34-700		●2253		⌄	0317-99-281A	0778-28-700
					⊗						T		
77/01~79/05	FA4 ,FA5		●S1032	-----	⌄	8531-34-910	8531-34-960		2478	●E2478	⊗	8531-28-700	8531-99-281
											○		
78/05~79/08	FA4 (Van)		●S1032	-----	⌄	8351-34-910	8532-49-790		2252		⌄	8565-28-700	
						8351-34-960					⊗		
79/05~80/05	FA4 ,FA5		S1061	-----	⌄	8572-34-790	8572-34-960		2478	●E2478	⊗	8531-28-700	
						8572-34-910					○	8531-99-281	
79/08~	FA4 (Van)		S1061	-----	⌄	8572-34-910	8572-34-960		2252		⌄	8565-28-700	
											⊗		
80/06~84/12	BD1031,BD1051(Excl.Turbo)	R	A2029	●B2029	⌄	B001-34-700B	B029-34-700B	R	A1027	●B1027	⌄	B001-28-700C	B037-28-700
						B001-34-700C	B029-34-700C					B029-28-700C	B048-28-700
		L	A2030	●B2030	⌄	B001-34-900B	B029-34-900B	L	A1028	●B1028	⌄	B001-28-900C	B037-28-900
						B001-34-900C	B029-34-900C					B029-28-900C	B048-28-900
83/06~84/12	BD1051(XG,XG-R Turbo)	R	A2029	●B2029	⌄	B029-34-700C						B084-28-700A	B084-28-900A
		L	A2030	●B2030	⌄	B029-34-900C							
89/01~94/02	BG3S,BG3P,BG5P,BG7P	R	A2136	B2136	⌄	B455-34-700D		R	A2138	B2138	⌄	B455-28-700	
		L	A2137	B2137	⌄	B455-34-900D		L	A2139	B2139	⌄	B455-28-900	

○ Eyering
⌄ Upper Bolt

⊗ Bushing
T Lower Bolt

⊗ XPin Type Bushing
⌄ Suspension Strut

⌄ Coil Over Type
⌄ Strut Cartridge

CHRYSLER

DAIHATSU

FORD

HINO

HONDA

ISUZU

JEEP

KIA

MAZDA

MAZDA



YEAR	MODEL (Make-Name)	FRONT				REAR			
		TOKICO NO. OIL	TOKICO NO. GAS	⌘	OEM NO.	TOKICO NO. OIL	TOKICO NO. GAS	⌘	OEM NO.

FAMILIA/323(Continued)

89/01~	BG							R	A2196	●B2196	⌘	BS06-28-700	
								L	A2197	●B2197	⌘	BS06-28-900	
89/01~94/02	BG5P/BG5S ALL	R	A2136	B2136	⌘	B629-34-700A BR70-34-700D B625-34-700A	B459-34-700D B655-34-700A	R	A2138	B2138	⌘	B629-28-700A BW1N-28-700 B625-28-700A	B459-28-700A B603-28-700A
		L	A2137	B2137	⌘	B629-34-900A BR70-34-900D B655-34-900A	B625-34-900A B459-34-900D	L	A2139	B2139	⌘	B629-28-900A BW1N-28-900 B459-28-900A	B625-28-900A B603-28-900A
89/06~94/08	BG5,BG6,BG8P 2WD Coupe	R		●B2167	⌘	BB2L-34-700B		R	A2138	B2138	⌘	B455-28-700	
		L		●B2168	⌘	BB2L-34-900B		L	A2139	B2139	⌘	B455-28-900	
89/06~94/08	BG5,BG6,BG8P 2WD Coupe High Road clearance	R		●B2167	⌘	BB2L-34-700B		R	A2196	●B2196	⌘	BS06-28-700	
		L		●B2168	⌘	BB2L-34-900B		L	A2197	●B2197	⌘	BS06-28-900	
90~94	BG3/5S/5P BG5/6/8P 2WD High Road clearance	R	A2136	B2136	⌘	B625-34-700A B625-34-700B	BR70-34-700 BR70-34-700E	R	A2196	●B2196	⌘	BS06-28-700	
		L	A2137	B2137	⌘	B625-34-900A B625-34-900B	BR70-34-900 BR70-34-900E	L	A2197	●B2197	⌘	BS06-28-900	
89/06~94/08	BG8 R,RF,Z(4WD)					B530-34-700B B530-34-700D BA1E-34-700A	B530-34-700C BA1E-34-700	R	A2284		⌘	B528-28-700 B531-28-700A B698-28-700	B530-28-700 B531-28-700B
						B530-34-900B B530-34-900D BA1E-34-900A	B530-34-900C BA1E-34-900	L	A2285		⌘	B528-28-900 B531-28-900A B698-28-900	B530-28-900 B531-28-900B
90/01~94/02	BG8P(4WD)	R	A2136	B2136	⌘	B625-34-700A		R	A2284		⌘	B698-28-700	
		L	A2137	B2137	⌘	B625-34-900A		L	A2285		⌘	B698-28-900	
90/11~94/02	BG8S	R	A2136	B2136	⌘	B625-34-700A	B655-34-700A	R	A2138	B2138	⌘	B603-28-700A	
		L	A2137	B2137	⌘	B625-34-900A	B655-34-900A	L	A2139	B2139	⌘	B603-28-900A	
94/03~	BHALP,BHALS W/ABS	R	A2175		⌘	BC1D-34-700A						BC1D-28-700B	BC1D-28-900B
		L	A2176		⌘	BC1D-34-900A							
94/03~	BHALP,BHALS WO/ABS	R		B2190	⌘	BC1E-34-700A		R		B2192	⌘	BC1E-28-700A	
		L		B2191	⌘	BC1E-34-900A		L		B2193	⌘	BC1E-28-900A	
93/04~94/03	BH5AP	R	A2175		⌘	BC1F-34-700A		R	A2204		⌘	BC1F-28-700A	
		L	A2176		⌘	BC1F-34-900A		L	A2205		⌘	BC1F-28-900A	
94/03~	BHA5P,BHA5S,BHA8P,BHA8S W/ABS	R	A2175		⌘	BC1F-34-700		R	A2204		⌘	BC1F-28-700A	
		L	A2176		⌘	BC1F-34-900		L	A2205		⌘	BC1F-28-900A	
94/03~	BHA5P,BHA5S,BHA8P,BHA8S WO/ABS,Chassis NO.~15007	R		B2190	⌘	BC1G-34-700						BC1G-28-700	BC1G-28-900
		L		B2191	⌘	BC1G-34-900							
94/02~	BW3W,BW5W,BF3V,BF5V, WAGON,VAN	R		●B2083	⌘	B097-34-700B						B569-28-700	B569-28-900
		L		●B2084	⌘	B097-34-900B							
94/02~	BWMR,WAGON					B210-34-700C B210-34-900C						B569-28-700	B569-28-900
94/02~	BF6M,VAN					B212-34-700C B212-34-900C						B569-28-700	B569-28-900
94/02~	BW7W,BF7V,WAGON,VAN					B222-34-700B B222-34-900B						B569-28-700	B569-28-900
		R	A2136	B2136	⌘	BVD5-34-700		R	A2138	B2138	⌘	BB1P-28-700	BR70-28-700
		L	A2137	B2137	⌘	BVD5-34-900		L	A2139	B2139	⌘	BB1P-28-900	BR70-28-900A
						BW0G-34-700 BW0G-34-900						BVE2-28-700 BW0G-28-700	BVE2-28-900 BW0G-28-900A
94/09~	CBAEP Chassis NO~151007	R		B3198	⌘	B01C-34-700		R	A3151		⌘	B01C-28-700	
		L		B3199	⌘	BC01-34-900		L	A3152		⌘	B01C-28-900	
95~98	CBAEP,CBA8P 1.8,2.0	R		B3202	⌘	B01D-34-700 B17T-34-700	B01E-34-700	R		B3216	⌘	B01D-28-700	B17R-28-700
		L		B3203	⌘	B01D-34-900 B17T-34-900	B01E-34-900	L		B3217	⌘	B01D-28-900	B17R-28-900
96/08~98/09	BHA3P,BFALP Chassis NO.151007~	R		B2190	⌘	BC1E-34-700F BC1E-34-900F	BC1G-34-700F BC1G-34-900F	R		B2192	⌘	BC1E-28-700D BC1E-28-900D	BC1H-28-700B BC1H-28-900B
		L		B2191	⌘	BC1E-34-700H BC1E-34-900H	BC1G-34-700H BC1G-34-900H	L		B2193	⌘	BC1E-28-700D BC1E-28-900D	BC1H-28-700B BC1H-28-900B
97/06~99	BA11P3(High Floor)	R	A2202	B2202	⌘	BVT5-34-700H		R	A2206	B2206	⌘	BVW2-28-700D	BC8W-28-700
		L	A2203	B2203	⌘	BVT5-34-900H		L	A2207	B2207	⌘	BVW2-28-900D	BC8W-28-900

○ Eyering
⊥ Upper Bolt

◎ Bushing
⊥ Lower Bolt

⊗ XPin Type Bushing
⌘ Suspension Strut

⌘ Coil Over Type
⌘ Strut Cartridge

MAZDA



YEAR	MODEL (Make-Name)	FRONT				REAR			
		TOKICO NO. OIL	GAS	⌘	OEM NO.	TOKICO NO. OIL	GAS	⌘	OEM NO.

FAMILIA/323/323F/ASTINA/PROTEGE/FORD LASER

98/05~00/12	BJE/3/5P,2WD SED/HB	R			B25D-34-700C B25T-34-700C B26R-34-700C B27F-34-700A	B28V-34-700A BJ3D-34-700C BK2H-34-700A	R		B2240	⌘	B25P-28-700C B26R-28-700G B28V-28-700A B30D-28-700A B30H-28-700B B30P-28-700A	B30P-28-700B B34H-28-700 BK2H-28-700 BK73-28-700 BL8P-28-700A
		L			B25D-34-900C B25T-34-900C B26R-34-900C B27F-34-900A	B28V-34-900A BJ3D-34-900C BK2H-34-900A	L		B2241	⌘	B25P-28-900G B26R-28-900G B28V-28-900A B30D-28-900A B30H-28-900B B30P-28-900A	B30P-28-900B B34H-28-900 BK2H-28-900 BK73-28-900 BL8P-28-900A
98/05~00/12	BJE/3/5Y 2WD SED/HB High road clearance	R					R		B2238	⌘	BK2J-28-700G BL5P-28-700	BVLE-28-700
		L					L		B2239	⌘	BK2J-28-900G BL5P-28-900	BVLE-28-900
00/12~03	BJ2WD 1.3/1.6/1.8/2.0/2.0D SED/HB	R			B25T-34-700D B26R-34-700D B28V-34-700B B30D-34-700B B30K-34-700C B30P-34-700C	B33P-34-700 B34H-34-700 BL2A-34-700B BL8P-34-700B BN5V-34-700	R		B2240	⌘	B25P-28-700C B26R-28-700G B28V-28-700A B30D-28-700A B30H-28-700B B30P-28-700A	B30P-28-700B B34H-28-700 BK2H-28-700 BK73-28-700 BL8P-28-700A
		L			B25T-34-900D B26R-34-900D B28V-34-900B B30D-34-900B B30K-34-900C B30P-34-900C	B33P-34-900 B34H-34-900 BL2A-34-900B BL8P-34-900B BN5V-34-900	L		B2241	⌘	B25P-28-900G B26R-28-900G B28V-28-900A B30D-28-900A B30H-28-900B B30P-28-900A	B30P-28-900B B34H-28-900 BK2H-28-900 BK73-28-900 BL8P-28-900A
00/12~03	BJ2WD 1.3/1.6/1.8/2.0/2.0D SED/HB High road clearance	R			B30D-34-700B BL2A-34-700B		R		B2238	⌘	BK2J-28-700G BL5P-28-700	BVLE-28-700
		L			B30D-34-900B BL2A-34-900B		L		B2239	⌘	BK2J-28-900G BL5P-28-900	BVLE-28-900

FAMILIA/323/ASTINA/LANTIS/LIATA

94/09~95	CBAEP,CBA8P 1.8,2.0 V6 MUTOR chassis NO.~151007	R		B3198	⌘	B01C-34-700	R	A3151		⌘	B01C-28-700
		L		B3199	⌘	B01C-34-900	L	A3152		⌘	B01C-28-900
94/09~98	CBAEP,CBA8P(1.8,2.0 V6 MOTOR)	R		B3202	⌘	B01D-34-700	R		B3216	⌘	B01D-28-700
		L		B3203	⌘	B01D-34-900	L		B3217	⌘	B01D-28-900

FAMILIA/323/FORD LASER

85/01~89/05	BF3P.F(Excl.Adjustable Type)	R	A2083	●B2083	⌘	B092-34-700	B097-34-700	R	A1048	●B1048	⌘	B092-28-700B B092-28-700C	B092-28-700D
		L	A2084	●B2084	⌘	B092-34-900	B097-34-900	L	A1049	●B1049	⌘	B092-28-900B B092-28-900D	B092-28-900C
85/01~89/05	BF5P.F(Excl.Adjustable Type) BFMP.F	R	A2083	●B2083	⌘	B092-34-700	B097-34-700	R	A2085	●B2085	⌘	B097-28-700B B097-28-700C	B097-28-700D
		L	A2084	●B2084	⌘	B092-34-900	B097-34-900	L	A2086	●B2086	⌘	B097-28-900B B097-28-900D	B097-28-900C
85/09~	BFMP.F(Best Handling Sus)	R	A2083	●B2083	⌘	B260-34-700						B260-78-700	B260-78-900
		L	A2084	●B2084	⌘	B260-34-900							
85/09~89/05	BF7P.F(Diesel,Excl.Adjustable Type)	R	A2083	●B2083	⌘	B180-34-700		R	A1048	●B1048	⌘	B092-28-700 B092-28-700B	B092-28-700C B092-28-700D
		L	A2084	●B2084	⌘	B180-34-900		L	A1049	●B1049	⌘	B092-28-900 B092-28-900B	B092-28-900C B092-28-900D
85/11~87/04	BF3V,BF5V***Van	R	A2083	●B2083	⌘	B097-34-700			-----			B216-28-700	B216-28-900
		L	A2084	●B2084	⌘	B097-34-900			-----				
85/11~89/05	BF5S.F(Cabriolet)BF5W(Wagon)	R	A2083	●B2083	⌘	B097-34-700		R	A2085	●B2085	⌘	B097-28-700 B097-28-700A B097-28-700B	B097-28-700C B097-28-700D
		L	A2084	●B2084	⌘	B097-34-900		L	A2086	●B2086	⌘	B097-28-900 B097-28-900A B097-28-900D	B097-28-900B B097-28-900C

○ Eying
⊥ Upper Bolt

◎ Bushing
⊥ Lower Bolt

⊗ XPin Type Bushing
⌘ Suspension Strut

⌘ Coil Over Type
⌘ Strut Cartridge

CHRYSLER

DAIHATSU

FORD

HINO

HONDA

ISUZU

JEEP

KIA

MAZDA

MAZDA



YEAR	MODEL (Make-Name)	FRONT				REAR			
		TOKICO NO. OIL	GAS	⌚	OEM NO.	TOKICO NO. OIL	GAS	⌚	OEM NO.

FAMILIA/323/FORD LASER(Continued)

85/07~89/05	BF High Road clearance	R	A2083		⌚	BT8S-34-700A	R	A1056		⌚	BG62-28-700
		L	A2084		⌚	BT8S-34-900A	L	A1057		⌚	BG62-28-900

FORD J100

84/02~	SDEATF,VF,SD2ATF,VF		2735	E2735	⌚	S083-34-700		2614		○	S085-99-281
					⊗					○	

FORD J80/SPECTRON

83/09~97/04	SS48VF,SS88WF,SSF8F,SSF8VF(Diesel)		2735	E2735	⌚	S083-34-700	S130-34-700		2186	E2186	○	S083-99-281	S091-99-281
					⊗						○		

FORD LASER

82/09~84/12	BE3PF,BE5PE(Excl.Turbo)	R	A2029	●B2029	⌚	B001-34-700C	B029-34-700C	R	A1027	●B1027	⌚	B037-28-700	B048-28-700
		L	A2030	●B2030	⌚	B001-34-900C	B029-34-900C	L	A1028	●B1028	⌚	B037-28-900	B048-28-900
83/06~84/12	BE5PE(Turbo, Turbo S)	R	A2029	●B2029	⌚	B029-34-700C						B084-28-700A	B084-28-900A
		L	A2030	●B2030	⌚	B029-34-900C							

LUCE/RX-4/929

72~79/01	LA2V,LA22S,LA33S,LA3V LA22W,LA33W		S1009	-----	⌚	1011-34-910A			E2291	⌚	1004-28-700	1011-99-281
									●EL2278	⌚	1004-28-700B	1029-28-700
									●G2291	⌚	1011-28-700B	8961-99-281
77/10~79/10	LA4VS,LA42S,LA43S		S1037	-----	⌚	8545-34-910	8545-34-960		E2316	⌚	8245-28-700	
									●EL2316	⌚		
79/02~	LA4MV(Van),LA4SV(Diesel Van)		S3050		⌚	8596-34-910	8596-34-960		E2291	⌚	1029-28-700	
						8596-34-910A	8596-34-960A		●G2291	⌚		
						8946-34-910				⌚		
79/10~81/07	LA4MS,LA4VS,LA43S, LA4SS(Diesel)		S3050		⌚	8595-34-910	8596-34-910		E2316	⌚	8545-28-700	8946-28-700
						8595-34-910A	8596-34-910A		●EL2316	⌚	8947-28-700	8947-99-281
						8595-34-960	8596-34-960			⌚		
						8595-34-960A	8596-34-960A			⌚		
						8595-49-790	8596-49-790			⌚		
81/10~86/09	HBSHE(EG1),HBSN2(Rotary) HBES(EG1), HBSN2(Excl.12A Rotary Turbo LTD)	R	A3005	●B3005	⌚	H001-34-700A	H005-34-700		U3341	⌚	H001-28-700B	
		L	A3006	●B3006	⌚	H001-34-900A	H005-34-900			⌚	H001-28-700C	
						H001-34-900B	H043-34-900A			⌚	H051-28-700C	
										⌚	H119-28-700A	
81/10~	HBP8,HBPHE,HBPS2 (Diesel,Incl.),HBEJ,HBEP, HBPS2(Diesel),HBEP	R	A3005	●B3005	⌚	H001-34-700A	H043-34-700A	2316	E2316	⌚	8545-99-281	H704-28-700
		L	A3006	●B3006	⌚	H001-34-900A	H043-34-900A		●EL2316	⌚		
						H001-34-900B	H704-34-900B			⌚		
						H005-34-900	HA01-34-900A			⌚		
79/10~81/09	LA4MS(Chassis No160001~)		S3050		⌚	8595-34-960	8596-34-910				4113-28-700	
						8595-34-960A	8596-34-910A					
86/12~95/12		R	A4002		⌚	HE21-34-700	HE25-34-700C		U3413	⌚	HE21-28-700C	
						HE21-34-700C	HE25-34-700D			⌚	HE21-28-700D	
						HE21-34-700D	HE25-34-700E			⌚	HE21-28-700E	
						HE25-34-700				⌚	HE21-28-700F	
		L	A4003		⌚	HE21-34-900	HE25-34-900C					
						HE21-34-900C	HE25-34-900D					
						HE21-34-900D	HE25-34-900E					
						HE25-34-900						
87~88/08		R	A4010		⌚	HE09-34-700A			U3426	⌚	HE01-28-700	HE01-28-700B
		L	A4011		⌚	HE09-34-900					HE01-28-700A	
88/08~92/03		R	A4016		⌚	H368-34-700A						
		L	A4017		⌚	H368-34-900A						

○ Eyring
⌚ Upper Bolt

⊙ Bushing
⌚ Lower Bolt

⊗ XPin Type Bushing
⌚ Suspension Strut

⌚ Coil Over Type
⌚ Strut Cartridge

MAZDA



YEAR	MODEL (Make-Name)	FRONT				REAR			
		TOKICO NO. OIL	GAS	⌚	OEM NO.	TOKICO NO. OIL	GAS	⌚	OEM NO.

MAZDA FIGHTER(BT50)/FORD RANGER

97~02	J97 A/C(4X2)		2794		⌚	UH71-34-70X			2795		○	UH71-28-700	
97~02	J97 A/C(4X4)		3586		⌚	UH74-34-70X			3572		⊙	UH74-28-700	
02/06~06/02	J97 PT(4X2)			E2794	⌚	UH72-34-700A			E2795		○	UH72-28-700	
02/06~06/02	J97 PT(4X4)			E3586	⌚	UH75-34-700	UH75-34-700A		E3572		⊙	UH75-28-700	
06/03~	J97 MU(4X2)			E4121	⌚	UR58-34-70X	UR58-34-700B		E4122		⊙	UR58-28-700	UR58-28-700C
06/03~	J97 MU(4X4) J90U(U268)(4X4)			E4124	⌚	UR61-34-70XC	UA3J-34-70X		E4125		⊙	UR61-28-700C	UA3J-28-700A

MAZDA 3/AXELA

03/09~06/04	BKEP,BK5P,BK3P	R				BP4L-34-700						BP4K-28-910D
		L				BP4L-34-900						

MAZDA 6/ATENZA

02/05~03/04	GG3S(2000) 2WD GY3W(2300) 2WD Excl Self-Leveling Rear Sus.	R		U3758	⌚	G25S-34-700C	G25S-34-700D			E3760	○	GJ5A-28-700D	GK2A-28-700C
		L		U3759	⌚	G25S-34-900C	G25S-34-900D					○	GK2C-28-700D
03/05~	GG3S(2000) 2WD GY3W(2300) 2WD Excl Self-Leveling Rear Sus.	R		U3758	⌚	G25S-34-700C	G25S-34-700D			E3760	○	GJ5A-28-700D	GK2A-28-700C
		L		U3759	⌚	G25S-34-900C	G25S-34-900D					○	GK2C-28-700D
02/05~	GG3S,2000/GY3W,2300 (2WD) with Heightening Road Clearance Excl Self-Leveling Rear Sus.	R				G21D-34-700H	GJ6F-34-700E			E3760	○	GJ5A-28-700D	GK2A-28-700C
		L				G21D-34-900H	GJ6F-34-900E					○	GK2C-28-700D

○ Eying
⌚ Upper Bolt

⊙ Bushing
⌚ Lower Bolt

⊗ XPin Type Bushing
⌚ Suspension Strut

⌚ Coil Over Type
⌚ Strut Cartridge

CHRYSLER

DAIHATSU

FORD

HINO

HONDA

ISUZU

JEEP

KIA

MAZDA

MAZDA



YEAR	MODEL (Make-Name)	FRONT				REAR			
		TOKICO NO. OIL	GAS	⌘	OEM NO.	TOKICO NO. OIL	GAS	⌘	OEM NO.

MAZDA 6/ATENZA(Continued)

02/08~	LA-GY3W,(2000,2300),4WD EstateWagon, Excl Self-Leveling Rear Sus.	R			G21D-34-700H	GJ6F-34-700E				G21D-28-700D
		L			G21D-34-900H	GJ6F-34-900E				

MIATA/PROBE/MX-5/ROADSTER

92/09~96/01	CT20	R		B3141	⌘	GA2B-34-700A	GC5D-34-700A				GA2B-28-700B
		L		B3142	⌘	GA2B-34-900A	GC5D-34-900A				
91/10~94/07		R	A3078	B3078	⌘	GA2K-34-700A		A3080	B3080	⌘	GA2K-28-700B
		L	A3079	B3079	⌘	GA2K-34-900A					

MILLENNIUM/NEW MILLENNIUM/626

98/05~	2000 COLOMBIA	R		B3277	⌘	GJ3M-34-700		R		B3196	⌘	GJ1M-28-700
		L		B3278	⌘	GJ3M-34-900		L		B3197	⌘	GJ1M-28-900

MPV/MAZDA 8

99/08~	LW(2000,2500)4WD,2WD	R		B3241	⌘	LC62-34-700C	L097-34-700			E4106	⊙	LC62-28-700C	LC72-28-700B
		L		B3242	⌘	LC62-34-900C	L097-34-900					⊙	L097-28-700A
02/03~	LW(2300/2000DITD)	R		B3200	⌘	LD47-34-700A	LE33-34-700A			E4106	⊙	LC62-28-700C	LC72-28-700B
		L		B3201	⌘	LD47-34-900A	LD47-34-900B					⊙	L097-28-700A
05/12~	LY3P(2300)	R		B3261	⌘	L206-34-700E				E3788	⌊	L206-28-700E	L232-28-700D
		L		B3262	⌘	L206-34-900E						⊙	
05/12~	LY3P(2300)2WD&4WD DSC Type	R		B3261	⌘	L232-34-700C				E3788	⌊	L206-28-700E	L232-28-700D
		L		B3262	⌘	L232-34-900C						⊙	

PREMACY

99/07~01/06	CP8#(1900/2000/2000TD 2WD)	R				C100-34-700	C100-34-700B	R		B3269	⌘	C100-28-700	C100-28-700B
		L				C100-34-900	C100-34-900B	L		B3270	⌘	C100-28-900	C100-28-900B
01/07~	CPEW	R				C100-34-700D	C100-34-700F	R		B3269	⌘	C100-28-700	C100-28-700B
		L				C100-34-900D	C100-34-900F	L		B3270	⌘	C100-28-900	C100-28-900B

PRESSO/MX-3/AZ-3

91~	EC5/8/13	R	●A2163	B2177	⌘	E026-34-700	EA07-34-700B					
		L	●A2164	B2178	⌘	E026-34-900	E026-34-900D					

PROCEED

65~71	BUD(1500)		2252	-----	⌊	0187-34-700			2130	●EL2130	⌊	0603-28-700	
71/03~77/04	BNA(1600)		2275	●E2275	⊙	0603-34-700A			2130	●EL2130	⌊	0603-28-700	
77/04~	PE2		2501		⌊	3874-34-700			2502		⌊	3874-28-700	
85/01~96	B1600,B2000,B2200,B2500, B2600(2WD)		2794	E2794	⌊	UB39-34-700			2795	E2795	○	8AU1-28-700	UB71-28-700A
96/03~	2.2i,2.5D PICK UP 2WD		2794		⌊	UH71-34-700A	UH71-34-70XA		2795	E2795	○	UH71-28-700A	UH72-28-700A

○ Eyring
⌊ Upper Bolt

⊙ Bushing
⌊ Lower Bolt

⊗ XPin Type Bushing
⌘ Suspension Strut

⌘ Coil Over Type
⌊ Strut Cartridge

MAZDA



YEAR	MODEL (Make-Name)	FRONT				REAR			
		TOKICO NO. OIL	GAS	⌄	OEM NO.	TOKICO NO. OIL	GAS	⌄	OEM NO.

PROCEED(Continued)

96/03~	2.2i,2.5D 2.5TD,2.6i PICK UP 4WD	2794		⌄ ⊙	UH74-34-700 UH74-34-70X	2795		○ ○	UC86-28-700 UH74-28-700 UH75-28-700A
--------	-------------------------------------	------	--	--------	-------------------------	------	--	--------	---

SAVANNA/RX-3/GRAND FAMILIA/808

71~78	S102,S124,M102,MTC SN3,SN4,SU4,MU4 All,STC (Excl.GT, Van, Wagon)	S1028	-----	⌄	0866-34-910A 0866-34-960A 0866-34-910B 0866-34-960B 0866-34-910C 0866-34-960C 0866-34-910D 0866-34-960D		●G1122	⌄ ⊙	0866-28-700A 0866-28-700B
72~78	S102,M102(Van,Wagon)MTC, STC(Van)	S1028	-----	⌄	0866-34-910A 0866-34-960C 0866-34-910B 0866-34-960D 0866-34-910C 0866-49-790A 0866-34-910D 0866-49-790B 0866-34-960A 0866-49-790C 0866-34-960B 0866-49-790D	2276	●G2276	⌄ ○	0585-28-700A 0585-28-700B 0585-28-700C 0585-28-700D

TITAN

71~79	All FV,FX EX,EV	3244		⌄ T	0559-34-700	3161		⌄ T	0559-28-700
76~77/06	TA2 (Excl.3700cc)	-----			1316-34-700	3161		⌄ T	0559-28-700
76/04~80/10	TA2X4(3700cc)(Chassis No) 017003~,TA2XD(3700cc) (Chassis No)010925~, TA2XD(3700cc)(Chassis No) 010925~,TA3H1(3000cc)Excl. Wide & Low(Chassis No) 135466~,TA3H4(3000cc)Excl. Wide & Low(Chassis No) 115511~,EXR15(2500cc), (Chassis No)042832~	2655		⌄ T	1416-34-700 1416-49-330 1416-37-700	●2506		⌄ T	1363-28-700
78/10~80/10	TA3H1(3000cc) Wide & Low(Chassis No)135466~ TA3H4(3000cc) Wide & Low(Chassis No)115511~	2655		⌄ T	1416-34-700	●2656		⌄ T	1416-28-700
80/10~87on	All WEW,WEX,WEY,WEZ,WE5, WEF,WEL WE14,17	2657		⌄ ○	W023-34-700 W023-99-341	2048	E2048	○ ○	W023-28-700

TITAN CABIN DAMPER

89/04~	TITAN J35E	1201R		⊙ ⊙	W208-36-700A				
--------	------------	-------	--	--------	--------------	--	--	--	--

TITAN WALK THROUGH

83/05~	WEFTA(1.75t W Tire)	2657		⌄ ○	W023-99-341	2048	E2048	○ ○	W023-99-281
--------	---------------------	------	--	--------	-------------	------	-------	--------	-------------

TRIBUTE/FORD ESCAPE/FORD MAVERICK

00/11~05/10	EPEW,EPFW(LX)	R	B3247	⊕	E115-34-700A E112-34-700A E116-34-700A ET32-34-700 E114-34-700D ET16-34-700	E3790	⌄ ⊙	E112-28-700D E115-28-700D E114-28-700F E116-28-700C E181-28-700B ED61-28-700A
		L	B3248	⊕	E115-34-900A E112-34-900A E116-34-900A ET32-34-900 E114-34-900D ET16-34-900			
00/11~05/10	EPFW	R	B3249	⊕	E187-34-700A E183-34-700B E181-34-700B ET74-34-700	E3790	⌄ ⊙	E114-28-700F ED61-28-700A E115-28-700D E112-28-700D E116-28-700C E181-28-700B
		L	B3250	⊕	E187-34-900A E183-34-900B E181-34-900B ET74-34-900			
00/11~05/10	EP3W,EPFW(4WD)	R	B3249	⊕	E187-34-700A E183-34-700B E181-34-700B ET74-34-700	E3790	⌄ ⊙	E114-28-700F ED61-28-700A E115-28-700D E112-28-700D E116-28-700C E181-28-700B
		L	B3250	⊕	E187-34-900A E183-34-900B E181-34-900B ET74-34-900			

○ Eying
⌄ Upper Bolt

⊙ Bushing
T Lower Bolt

⊗ XPin Type Bushing
⊕ Suspension Strut

⊕ Coil Over Type
⌄ Strut Cartridge

CHRYSLER

DAIHATSU

FORD

HINO

HONDA

ISUZU

JEEP

KIA

MAZDA

MEMO

MITSUBISHI

ADVENTURE	92	MITSUBISHI FUSO CABIN DAMPER	99
BUS	92	MONTERO	100
CANTER	92-93	MONTERO IO	99
CHALLENGER	100	MONTERO SPORT	100
COLT	93,96-97	PAJERO	100
COLT GALANT	93	PAJERO IO	99
CORDIA	101	PAJERO PININ	99
DELICA	95-96	PAJERO SPORT	100
ECLIPSE	93	RIBERO	96
FORTE	95	ROSA(MICRO BUS)	100
GALANT	93-95	SHOGUN	100
GALANT LAMBDA	93	SIGMA	94-95
GALANT LAMBDA ETERNA	94	SPACE GEAR	96
GALANT SIGMA ETERNA	94	STARION	100
JEEP	95	TA	100
L200	95	TREDIA	101
L200(PICKUP)	101	TRITON	95,101
L300	95-96	TRUCK	101
L400	96		
LANCER	96-99		
LANCER (MADE IN THAILAND ONLY)	96		
LANCER CEDIA	97-98		
LANCER CELESTE	96		
LANCER ESTATE	96		
LANCER EX	98-99		
LANCER FIORE	99		
LANCER MIRAGE HATCHBACK	96		
LANCER VAN	99		
LEGNUM	94		
MAGNA	94-95		
MINICAB	99		
MIRAGE	96-97,99		
MIRAGE HATCHBACK	99		
MIRAGE SALOON	99		
MIRAGE SEDAN	99		
MIRAGE VAN	99		
MIRAGE II	99		

MITSUBISHI



YEAR	MODEL (Make-Name)	FRONT				REAR			
		TOKICO NO. OIL	GAS	⌄	OEM NO.	TOKICO NO. OIL	GAS	⌄	OEM NO.

ADVENTURE

97~00	VB2W(Philippin made)	3228		⌄ ⊗	MR210463	MR210464		2614		○ ○	MR210611
00~	VB5W(2.0,2.5D SUV) (Philippin made)	3228		⌄ ⊗	MR210463	MR210464					MR418868

BUS

67~82/10	B805,806,MAR400 All,MM504, MP518(Excl Air Suspension) MM516H,MP518	5011		⌄ T	03260-23001 03260-23003	03260-23005		●6012		⌄ T	03260-82002 03260-82003	03260-82004 03260-82005
76~79/09	MP517 All	5011		⌄ T	03260-23005						03261-19000	
80/01~84/03	MM515(HTD,HTS)	5011		⌄ T	03260-23005			-----			03260-82005	
81/04~	BK215(Micn Bus)	3143		⌄ ○	MC802624			3068		○ ○	MA222515	

CANTER

68~78/11	T90,91,96,97,T200,T204~7	3243		⌄ ○	MT116007			3241		⌄ ○	MT116015	
68~82/09	T94,95T214,T216 T210(Double Tire Short Body,Dump,Vaccum) T220,FE111(Short Body Excl.3ton)FE120,121,FB100,120	3243		⌄ ○	MT116007			3260		○ ○	MT160854	MB035003
68~82/09	T92,93,98,T215,T217 T210 (Excl.Double Tire Short Body, Dump,Vaccum) FE111(Long Body,3ton Short Body),131	3243		⌄ ○	MT116007			3178	E3178	○ ○	MT160820	
78/11~85/10	FE211,231,214,234	3407	E3407	⌄ ○	MB025127	MB025384		3178	E3178	○ ○	MT160820	MB161555
78/11~82/09	FE100,101	3243		⌄ ○	MT116007			3241		⌄ ○	MT116015	
80/02~82/09	FE221	3407	E3407	⌄ ○	MB025127			3260		○ ○	MB035003	
82/10~93/10	FE120(E),FE111(B),114(B,BG), 120(B,BW) FE121,FB100,120 FB300,FE311,315(Excl.Small Diameter Tire) FE300,301,305 (Small Diameter W Tire) FE325	3243		⌄ ○	MB025383	MB025381		3098		○ ○	MB161554	MB161496
82/10~85/10	FE111(BD,BDT,BZE,BZEC),100, 101,FE114(BD,BDT),FE120(E)	3243		⌄ ○	MB025383			3409		○ ○	MB161556	
82/10~85/10	FE111(BG,BN,BN-1,BNFW) FE114(BN,BNFW,BDN-3,BDN3K)	3243		⌄ ○	MB025383			-----			MB161553	
82/10~85/10	FE111(BZ,BZ-1,BZB,E,EZ,EZC, EW,EZCW),FE114(BZ,E,EZ,EZC, EW,EZCW) FE134	3243		⌄ ○	MB025383			3178	E3178	○ ○	MB161555	
82/10~85/10	FE224	3407	E3407	⌄ ○	MB025384			3409		○ ○	MB161556	
85/10~93/10	FB300,FE301,305(Small Diameter Tire) FE300(Excl. Small Diameter W Tire) FE311, 315(Special Car With Chassis W Tire)	3243		⌄ ○	MB025381						MB161495	
85/10~	FE311,334,337,FE335 (Excl.BHME,BHZE)	3243		⌄ ○	MB025381			3178	E3178	○ ○	MB161497	
85/10~93/10	FE320,317 FE301,305(S Tire) FE311,315(Damp W Tire) FE321(Small Diameter W Tire) FE325 FE335(BHME,BHZE)	3243		⌄ ○	MB025381			3098		○ ○	MB161539	
85/10~93/10	FE425	3407	E3407	⌄ ○	MB025382			3098		○ ○	MB161539	MB161496
85/10~93/10	FE431,434,435,437,444,445 FE447,465,467	3407	E3407	⌄ ○	MB025382			3178	E3178	○ ○	MB161497	

○ Eyering
⌄ Upper Bolt

◎ Bushing
T Lower Bolt

⊗ XPin Type Bushing
⊞ Suspension Strut

⊞ Coil Over Type
⌄ Strut Cartridge

MITSUBISHI



YEAR	MODEL (Make-Name)	FRONT				REAR			
		TOKICO NO. OIL	GAS		OEM NO.	TOKICO NO. OIL	GAS		OEM NO.

CANTER(Continued)

85/10~	FE221				MB025381		3178	E3178		MB161539
98/07~	FE645/647/657/659				MC110491		3178	E3178		MC096225

COLT

91~	T120SS		S1118		MZS41029 MZS41004	MZS41002	2992			MZS41024
-----	--------	--	-------	--	----------------------	----------	------	--	--	----------

COLT GALANT

69~77	A51,52,53,54 A53H(Hardtop)A61~63(FTO) A55C(GTO),A57C(2000SL), A112,114,115 All(Excl.Van)	S3006	-----		MA150540 MB001670	MA150545	●2274	-----		A151096 MA151108
69~73	A51V,52V,53V,54V	S3006	-----		MA150540	MA150545	2048	E2048		A151107
70~77	A53CGS,CGR,A55CKG, A57C(2000GSR) A63NGW	S3006	-----		MA150546		-----			A151110
74~77	A112V(Van)	S3006	-----		MB001670		2518			MA181619

ECLIPSE

89/09~92/06	D27A ALL				MB672067		Q2878			MB515703
-------------	----------	--	--	--	----------	--	-------	--	--	----------

GALANT

92/02~96	EA#A,E64A,E75A,E8#A	Q3590			MB864777 MB864821 MB864822 MB864826	MB864827 MB891501 MB891502 MB891506	Q2958			MB864770 MB864771 MB864773 MB911284
----------	---------------------	-------	--	--	--	--	-------	--	--	--

GALANT LAMBDA

76/12~80/05	A123(2000),A123(2000GSR), A133(Excl.2000GL)	●S3034	-----		MB002077		2280	●EL2479 E2479		MB003011 MB110744
79/05~83/10	A135(2600)	S3055	●Z3055		MB109986			●EL2479 E2479		MB110744
80/05~83/10	A163(2000),A167(2300)				MB109825	MB109850		E2012 ●EL2012		MB110976 MB110975
76/12~80/05	A121(1600SL),A131(1600SL) A133(2000GL)	S3006	-----		MB002020		2280	●EL2479 E2479		MB003011 MB110744
76/12~78/03	A121(1600GS)	●S3033	-----		MB001671		2280	●EL2479 E2479		MB003011 MB003012
80/05~83/10	A162(1800)	●S3060	●Z3060		MB109926			E2012 ●EL2012		MB110975 MB110976
80/05~83/10	A164(2000),A166(2600) (Excl.Turbo)	S3055	●Z3055		MB109850		●S3056	-----		MB110921 MB110922

○ Eyering
└ Upper Bolt

◎ Bushing
T Lower Bolt

⊗ XPin Type Bushing
⊞ Suspension Strut

⊕ Coil Over Type
┑ Strut Cartridge

MITSUBISHI



YEAR	MODEL (Make-Name)	FRONT				REAR			
		TOKICO NO. OIL	GAS		OEM NO.	TOKICO NO. OIL	GAS		OEM NO.

GALANT LAMBDA ETERNA

75/05~80/05	A135(2600)	S3055	●Z3055	⏏	MB109886			E2479	⊙	MB110744		
78/03~80/05	A131(1600)	S3006	-----	⏏	MB002020			●EL2479	⊙	MB110744		
								E2479	⊙			
78/03~80/05	A133(2000)	●S3034	-----	⏏	MB002077			●EL2479	⊙	MB110744		
								E2479	⊙			
80/05~82/08	A162(1800)	●S3060	●Z3060	⏏	MB109826			E2012	⊙	MB110975		
								●EL2012	⊙	MB110976		
80/05~82/08	A163(2000),A167(2300)	S3055	●Z3055	⏏	MB109825 MB109850			E2012	⊙	MB110975		
								●EL2012	⊙	MB110976		
80/05~82/08	A164(2000)(Excl.Turbo)	S3055	●Z3055	⏏	MB109825	MB109850		●S3056	-----	⏏	MB110921	MB110922

GALANT SIGMA ETERNA

78/03~80/05	A131(1600),A133(2000 Excl. Super Saloon)	S3006	-----	⏏	MB002020		2280	●EL2479	⊙	MB003011	MB110743
								E2479	⊙		
79/03~80/05	A133(2000 Super Saloon)	●S3034	-----	⏏	MB002077		2280	●EL2479	⊙	MB110744	
								E2479	⊙		
80/05~83/07	A161(1600),A162(1800) (Incl.Turbo)	●S3060	●Z3060	⏏	MB109826 MB175610			E2012	⊙	MB110975	MB111226
								●EL2012	⊙	MB110976	
80/05~83/07	A163(2000),A167(2300) (Incl.Turbo)	S3055	●Z3055	⏏	MB109825 MB109850	MB175683 MB175684		E2012	⊙	MB110975	MB111226
								●EL2012	⊙	MB110976	
80/05~83/07	A164(2000)(Excl Turbo)	S3055	●Z3055	⏏	MB109825 MB109850	MB175683 MB175684		●S3056	-----	⏏	MB110921 MB110922
83/08~87	E15 ALL,E17 Excl.Air sus	A3012	●B3012	⏏	MB303665 MB349319	MB303905	Q2731	U2731	⏏	MB242336	MB242338

GALANT/LEGNUM

96/10~02/09	EA#A/W(2WD) incl.Estate	Q3590		⏏	MR235591 MR235592 MB910496 MB910497	MR235596 MR491303 MR235613 MR235614		U3591	⏏	MR235611 MR235612 MR235616	MR272634 MR455681 MR455682
96/10~01/05	EC#A/W(4WD)incl.Estate		U3592	⏏	MR235593 MR235594 MR235595 MR235597 MR272661	MR455673 MR455674 MR455675 MR455677		U3593	⏏	MR235614 MR272701 MR272702	MR455683 MR455684 MR465688

GALANT/MAGNA/SIGMA

76/05~80/05	A123(2000),A121(1600),A131 A122(1850),A132(1850),A133	S3006	-----	⏏	MB002020		2280	●EL2479	⊙	MB003011	MB110743
								E2479	⊙		
77/08~80/05	A133(2000 Super Saloon) A123(2000GSR)	●S3034	-----	⏏	MB002077		2280	●EL2479	⊙	MB003012	MB110744
								E2479	⊙		

○ Eyering
⊥ Upper Bolt

⊙ Bushing
⏏ Lower Bolt

⊗ XPin Type Bushing
⏏ Suspension Strut

⏏ Coil Over Type
⏏ Strut Cartridge

TOKICO SHOCK ABSORBERS

NUMERICAL LISTING

MITSUBISHI



YEAR	MODEL (Make-Name)	FRONT				REAR			
		TOKICO NO. OIL	GAS	⌄	OEM NO.	TOKICO NO. OIL	GAS	⌄	OEM NO.

GALANT/MAGNA/SIGMA(Continued)

83/08~87	E13,E14,E15,E17	A3012	●B3012	⌄	MB303665 MB349320	MB303905 MB349319	Q2731	U2731	⌄	MB242336	MB242338
80/05~83/07	A161(1600),A162(1800) (Incl.Turbo)	●S3060	●Z3060	⌄	MB109826 MB175610			E2012 ●EL2012	⊙	MB110975 MB110976	MB111226
80/05~83/07	A163(2000),A167(1800) (Incl.Turbo)	S3055	●Z3055	⌄	MB109825 MB109850	MB175683 MB175684		E2012 ●EL2012	⊙	MB110975 MB110976	MB111226
80/05~83/07	A164(2000)(Excl.Turbo)	S3055	●Z3055	⌄	MB109825 MB109850	MB175683 MB175684	●S3056	-----	⌄	MB110921 MB110922	
87/08~92	E31A,E32A,E33A,E34A,E35A (2WD)				MB430790 MB518280 MB518291 MB573386 MB672376 MB911027 MB672375	MB430791 MB518290 MB518309 MB573387 MB911026 MB573388	Q2731	U2731	⌄	MB242336 MB663567	MB242337
88/02~92	E37A,E38A,E39A (.4WD incl 4WS w/o ABS)				MB518222 MB573325 MB633440	MB518223 MB573326	Q2878		⌄	MB515700 MB515702	MB515701
88/02~90/05	E37A,E38A,E39A (.4WD incl 4WS with ABS)				MB518324 MB633441	MB573326	Q2878		⌄	MB515700 MB515702	MB515701
90/06~92	E37A,E38A,E39A (.4WD incl 4WS with ABS)				MB808000 MB808002	MB808001	Q2878		⌄	MB515700 MB515702	MB515701

JEEP

70~75	J52,J53,J54,J55,J58,J24,J25, J44,J36	3178	E3178	○	JM06646		3178	E3178	○	JM06647	
74/09~	J56,58	3178	E3178	○	JM06646		3178	E3178	○	JM06647	

L200/FORTE/TRITON

78/09~	LO21P,LO22P,K11T,K12T, K14T(2WD)	2546	E2546	⌄ T	MB109561		2547	E2547	○	MB110514	
80/10~81/02	LO22G,26G(4WD)	2658		⌄ ⊗	MB109675		2659		○	MB111214	
81/03~	K22T,K24T,K32T,K33T,K34T (4WD)	3338		⌄ ⊗	MB176291		2659		○	MB111214	
96/01~	K66T(3.0 V6.2WD)		E3594	⌄ ⊙	MR151227			E2964	○	MR151235	
96/01~	K62T(2.0 2WD),K64T(2.5D 2WD), K65T(2.4 2WD),K67T(2.8 2WD)				MR267700					MR151229	MR151231
96/01~	K74T,K75T(4WD),K76T(3.0 4WD),K77T(2.8D 4WD)		E3594	⌄ ⊙	MR151227			E2964	○	MR151235	MR151229

L300/DELICA

68~79/06	T100,T120 All(Truck, Van) T100V,T120V,T120	3228	E3228	⌄ ⊗	MA410523 MA410524	MB002323 MT141246	2254	●EL2254	○	MT410923 MT141620	MT141622
77/08~86/02	T120,T121All(Truck, Van) LO31,LO32P,LO34P,LO31PUE, LO31P,LO34P,LO31PUE, LO33PV,W,LO35PW,63P	3228	E3228	⌄ ⊗	MA410523 MA410524 MB175547	MB002323 MB175562 MT141246	2048	E2048	○	MB003595 MB111055	MB111056 MB111057
83/11~	LO35GV,W,37GV,W,38GW LO37GV,W,LO38GW,LO38GV	3433		⌄ ⊗	MB303740	MB303741	2518		○	MB110517 MB338506	MB339482
86/04~	P01V,02V,05V,12V,15V (Excl.02V,05V BZD,HBZD,HIZD) P03W,05W,15W	3434		⌄ ⊙	MB430190 MB430195	MB430191 MB430196	2842		○	MB339210 MB339216 MB584122 MB631451	MB339211 MB339215 MB339217 MB584125 MB631452

○ Eyering
⌄ Upper Bolt

⊙ Bushing
T Lower Bolt

⊗ XPin Type Bushing
⌄ Suspension Strut

⌄ Coil Over Type
⌄ Strut Cartridge

MITSUBISHI

NISSAN

NISSAN DIESEL

PERODUA

PROTON

SUBARU

SUZUKI

TOYOTA

MITSUBISHI



YEAR	MODEL (Make-Name)	FRONT				REAR			
		TOKICO NO. OIL	GAS	⌚	OEM NO.	TOKICO NO. OIL	GAS	⌚	OEM NO.

L300/DELICA(Continued)

82/10~86/02	LO38P,V,W,36PV,W,68P,V,W	●3432		⌚	MB303938		2048	E2048	○	MB111055	
86/03~	LO33PV,36P(Excl.Low Floor One-Opening),LO63P,LO69P	3228	E3228	⌚	MB175562	MB303880	2048	E2048	○	MB515566	MB515568
86/06~	P2#W/V,P35W,P45V(4WD Mini Bus/Van)			⊗	MB303938				○	MB110774	
86/06~	P2#W/V,P35W,P45V(4WD Mini Bus/Van)			⊗	MB430224	MB430225				MB339213	MB339214
86/03~	LO33PW,35PW	3228	E3228	⌚	MB430226	MB430227				MB339218	MB339219
86/03~	LO33PW,35PW	3228	E3228	⌚	MB584688	MB584689					
86/03~	LO36P(Low Floor One-Opening),36PV	3228	E3228	⌚	MB175562				○	MB515567	
86/03~	LO36P(Low Floor One-Opening),36PV	3228	E3228	⌚	MB175562				○	MB515568	
86/03~	LO38P,V,W,LO63PV,LO68P,V	3228	E3228	⌚	MB303938		2842	E2048	○	MB515566	
88/08~	P02V,05V***BZD,HBZD,HIZD	3434		⌚	MB430190	MB430191	2843		○	MB584638	MB584639
86/06~89/01	LO3GG(4WD TRUCK)	3397	E3397	⊙	MB430195	MB430196			○	MB584638	MB584639
86/06~89/01	LO3GG(4WD TRUCK)	3397	E3397	⊙	MB303740	MB303741			T	MB339482	
89/02~	LO39G(4WD TRUCK)	3397	E3397	⌚	MB303740	MB307741				MB663191	
94/06~	P05T,P13T,P15T(2WD TRUCK)			⌚	MB150570		2048	E2048	○	MB003595	MB515566

L400/SPACE GEAR

94/06~	PA3W,PA4W,PA5W(2WD, Rear Coil Spring Suspension)				MR112083	MR150570				MR112382	
94/06~	PA3V,PA5V,PB3V,PB5V(2WD, Rear Leaf Spring Suspension)				MR112083	MR150570	2614		○	MR151565	
94/06~	PD4W,PD5W(4WD, Rear Coil Spring Suspension)				MR112095	MR112096				MR112385	
94/06~	PD4V,PD5V(4WD, Rear Leaf Spring Suspension)				MR113437					MR151566	

LANCER (MADE IN THAILAND ONLY)

96~99	CK2A, 1500 MADE IN THAILAND	R	A2271		⌚	MR297576T		Q2947		⌚	MR244217T
		L	A2272		⌚	MR297575T					
96~99	CK5A, 1800 MADE IN THAILAND	R	A2227		⌚	MR316070MT		Q2947		⌚	MR244217T
		L	A2228		⌚	MR316069MT					

LANCER CELESTE

75/10~81	A71,73,142,143,144,146		S3006	-----	⌚	MB001670	MB001980	2504	●EL2242	○	MB002707	MB002881
----------	------------------------	--	-------	-------	---	----------	----------	------	---------	---	----------	----------

LANCER ESTATE/RIBERO

92/04~00/05	CB#V/W	R	A2218	B2218	⌚	MB891694	MB891698				MB911244	MB911245
		L	A2219	B2219	⌚	MB891693	MB891697				MB911246	MB948294
92/04~00/05	CD4V/W(4WD)	R				MB891756	MB891760				MB911243	MB911244
		L				MB891755	MB891759				MB911245	

LANCER MIRAGE HATCHBACK

87/09~92	C51A,C52A,C52A(SWIFT), C53A(TURBO),C54A,C58A,C61A, C62A,C63A,C64A,C65A,C68A		A3192	B3192	⌚	MB518687	MB518690	Q2948	U2948	⌚	MB515570	MB631341
						MB518688	MB518970				MB515571	MB515572
						MB518689	MB587339				MB584776	MB584778
88/05~88/11	C5#A,C6#A		A3192	B3192	⌚	MB518687	MB518688				MB631340	MB870869
88/04~92	C5#A,C6#A		A3192	B3192	⌚	MB518689	MB518690				MB584403	

LANCER/COLT/MIRAGE

91/08~96	CA#A,CB#A,CC#A,CD#A	R	A2218	B2218	⌚	MB891694	MB891698	Q2957		⌚	MB809270	MB809271
		L	A2219	B2219	⌚	MB891693	MB891697				MB809272	

○ Eyering
⌚ Upper Bolt

⊙ Bushing
T Lower Bolt

⊗ XPin Type Bushing
⌚ Suspension Strut

⌚ Coil Over Type
⌚ Strut Cartridge

TOKICO SHOCK ABSORBERS

NUMERICAL LISTING

MITSUBISHI



YEAR	MODEL (Make-Name)	FRONT					REAR				
		TOKICO NO. OIL	GAS		OEM NO.		TOKICO NO. OIL	GAS		OEM NO.	

LANCER/COLT/MIRAGE(Continued)

91/08~96	CA#A,CB#A,CC#A,CD#A	R	A2218	B2218	⊕	MB891696 MB891704 MB914966	MB891700 MB914964	Q2957		⊕	MB910844 MB914897
		L	A2219	B2219	⊕	MB891695 MB891703 MB914965	MB891699 MB914963				
91/08~96	CA4/5A,CB4/5A,CC4/5A,CD4/5A	R				MB808908 MB891744 MR131792	MB891742 MR131790	Q2957		⊕	MB809270 MB809272
		L				MB808907 MB891743 MR131791	MB891741 MR131789				
91/08~96	CA#A,CB#A,CC#A,CD#A with High Ground,Clearance Sus.	R	A2218	B2218	⊕	MB891694	MB891698	Q2947	U2947	⊕	MB891463 MB891464
		L	A2219	B2219	⊕	MB891693	MB891697				
94/09~96	CA#A,CB#A,CC#A	R				MR171520 MR197218 MR197226	MR197214 MR197222	Q2957		⊕	MB809270 MB809272
		L				MR171519 MR197217 MR197225	MR197213 MR197221				
94/09~96	CA#A,CB#A,CC#A	R				MR197216 MR197228	MR197220	Q2957		⊕	MB910844 MB914897
		L				MR197215 MR197227	MR197219				
94/09~96	CA#A,CB#A,CC#A	R				MR197210 MR197230 MR197236	MR197212 MR197232 MR197238	Q2957		⊕	MB910844 MB914897
		L				MR197209 MR197229 MR197235	MR197211 MR197231 MR197237				
95/08~97/03	CJ#A,CK#A,CM#A	R		B2221	⊕	MR297572 MR297578	MR297574 MR316394	Q2957		⊕	MR244447 MR403040
		L		B2222	⊕	MR297571 MR297577	MR297573 MR316393				
95/08~00/09	CM#A	R				MR197448	MR297856	Q2957		⊕	MR197611
		L				MR197447	MR297855				
95/08~97/06	CJ#A,CK#A,CM#A with High Ground Clearance Sus.	R				MR297576					MR244217 MR244218
		L				MR297575					
95/08~00/09	CJ#A,CK#A,CM#A with High Ground Clearance Sus.	R				MR244442	MR244444				MR244217 MR244218
		L				MR244441	MR244443				
96/12~	CJ#A,CK#A,CM#A with High Ground Clearance Sus.	R		B2227	⊕	MR316070 SW604063	SW604189				MR244217 MR244218
		L		B2228	⊕	MR316069 SW604062	SW604188				
97/04~00/09	CJ#A,CK#A,CM#A	R				MR197434 MR316066	MR197436 MR316068	Q2957		⊕	MR403040 MR455762
		L				MR197433 MR316065	MR197435 MR316067				
97/04~00/09	CJ#A,CK#A,CM#A	R				MR297996	MR297998	Q2957		⊕	MR455762 MR403040
		L				MR297995	MR297997				
98~00/09	CJ#A,for Indian Market with High Ground Clearance Sus.	R				MR403248					MR403249
		L				MR403247					

LANCER/LANCER CEDIA

00/09~	CS1A(1.3),CS2A(1.5),CS3A(1.6),CS5A(1.8Hong Kong with Size-Up Al.Wheel)					MR491430					MR589026 MR589027
00/09~	CS1A(1.3),CS3A(1.6),for G.C.C.,Egypt,Argentin and Optional High Ground Clearance Sus.					MR519614					MR519613

○ Eying
⊥ Upper Bolt

◎ Bushing
⊥ Lower Bolt

⊗ XPIn Type Bushing
⊕ Suspension Strut

⊕ Coil Over Type
⊥ Strut Cartridge

MITSUBISHI

NISSAN

NISSAN DIESEL

PERODUA

PROTON

SUBARU

SUZUKI

TOYOTA

MITSUBISHI



YEAR	MODEL (Make-Name)	FRONT				REAR			
		TOKICO NO. OIL	TOKICO NO. GAS	KEY	OEM NO.	TOKICO NO. OIL	TOKICO NO. GAS	KEY	OEM NO.

LANCER/LANCER CEDIA(Continued)

01/02~	CT9A GSR/RS Evolution VII, GTA Evolution VII, 2.0 Turbo 4WD for M/T & A/T				MR554821	MR961721				MR554823	MR961727	
03/01~	CT9A GSR/RS Evolution VIII, 2.0 Turbo 4WD				MN101565					MN100475		
00/12~03	J114,J116E,J118F/G/V for Taiwan				MR554096					MR554527		
00/12~03	J104F,J106F,J108F/G/V for Taiwan				MR491430					MR519006	MR589026	
92/08~	CB2A,CB4A	R	A2218	B2218	⊞	MB891694 MB891700 MB914964 MB891696	MB891698 MB891704 MB914966	Q2947	U2947	⊞	30618110 MB891464	MB891463 SW604061
		L	A2219	B2219	⊞	MB891693 MB891697 MB891703 MB914965	MB891695 MB891699 MB914963					
92/08~	CB5A	R				MB808908 MB891744 MB911442 MR130272 MR131792	MB891742 MB911440 MR130270 MR131790	Q2947	U2947	⊞	30618110 MB891464	MB891463 SW604061
		L				MB808907 MB891743 MB911441 MR130271 MR131791	MB891741 MB911439 MR130269 MR131789					
01/07~	CS5A(1.8)for Thailand,Indonesia				MR519614					4162A005 4162A014 MN184211 MR519613	4162A006 4162A015 MN184212	
03/06~	CS1A(1.3Li),CS3A(1.6Li),STD/SPORT				MN101957	MR589639				MN100077 MN101960 MR589972	MN101601 MR554528	
03/06~	CS9A(2.0Li Sport)				MN101958	MN184083				MN100077 MN101960 MR589972	MN101601 MR554528	

LANCER/LANCER EX

72~76/11	A71V(1200Van),A72V(1400Van)	S1012	-----	⊞	MT400701		2048	E2048	○	MB002706
72~76/11	A72(1400),A75(1200),A71(1200)	S1012	-----	⊞	MT400701		2504	●EL2242	○	MB002704
72~76/11	A73(1600)	●S3009	-----	⊞	MT400703		2504	●EL2242	○	MB002704
76/12~79/04	A42V(1400Van),A75V(1200Van)	S1036	●Z1036	⊞	MB002060		2048	E2048	○	MB002846
76/12~79/04	A72(1400),A75(1200),A141(1200),A143(1400)	S1036	●Z1036	⊞	MB002060		2504	●EL2242	○	MB002881
76/12~79/04	A73(1600),A144(1600)	S3006	-----	⊞	MB001670		2504	●EL2242	○	MB002881 MB110540
79/04~80/01	A172(1400)	S1062	-----	⊞	MB002190		●2006	E2006 ●EL2006	⊙ ⊙	MB110710
79/04~80/01	A174(1600)	S3006	-----	⊞	MB001672		●2006	E2006 ●EL2006	⊙ ⊙	MB110710
79/04~	A141V,142V,148V,149V(Van)	S1036	●Z1036	⊞	MB002060		2048	E2048	○	MB002846
80/02~86/12	A171(1200),A172(1400)	S1062	-----	⊞	MB002190			E2007	⊙	MB110712

○ Eying
⊥ Upper Bolt

⊙ Bushing
⊥ Lower Bolt

⊗ XPin Type Bushing
⊞ Suspension Strut

⊞ Coil Over Type
⊞ Strut Cartridge

MITSUBISHI



YEAR	MODEL (Make-Name)	FRONT				REAR			
		TOKICO NO. OIL	GAS	⌋	OEM NO.	TOKICO NO. OIL	GAS	⌋	OEM NO.

LANCER/LANCER EX(Continued)

80/02~86/12	A171,A172(Heavy Duty),A174 (1600),A175(1800 Excl. Turbo)	S3006	-----	⌋	MB001672			E2007	⊙	MB110712
81/11~83/10	A175A(GT Turbo,GSR Turbo)	S3006	-----	⌋	MB176395			E2007	⊙	MB111350

MINICAB

71~84/03	T130,T131(Incl.Minicub W) LT30V(Minicub EL),LO12P (Minicub 5),LO13P(Wide55), LO13P,LO13PV,LO15P (All**Excl.Mighty)	1044		⌋ ⊗	MA430645 MA420522 MA430645	MB185439 MB241841	1028		○ ○	MA431175 MA420920 MB111182 MB003223 MB003232 MB241845
82/08~84/03	LO15P(Mighty & Option Heavy Duty)	-----			MB241260		1028		○ ○	MB241239

MIRAGE HATCHBACK

87/09~92	C51A,C52A,C52A(SWIFT),C53A (TURBO),C54A,C58A,C61A, C62A,C63A,C64A,C65A,C68A	A3192	B3192	⌋	MB518687 MB518688 MB518689	MB518970 MB587339	Q2948	U2948	⌋	MB515570 MB515571 MB515572 MB631340 MB631342
----------	---	-------	-------	---	----------------------------------	----------------------	-------	-------	---	--

MIRAGE SALOON/LANCER FIORE

83/10~85/12	C11A,C12A,C13A,C14A	A2078	B2078	⌋	MB303060	MB303061	1168	●E1168	⊙	MB242818
84/06~88/06	C18A				MB430997		2877		⊙ ⊙	MB515097
86/01~89/02	C11A,C12A,C13A,C14A				MB430997		2877		⊙ ⊙	MB515097

MIRAGE SEDAN

87/12~92	C61A,C62A,C64A	A3192	B3192	⌋	MB518687		Q2948	U2948	⌋	MB515570 MB631340
87/12~92	C63A	A3192	B3192	⌋	MB518970	MB587339				MB515572 MB631342

MIRAGE/LANCER FIORE

83/10~85/12	C11A,C12A,C13A,C14A	A2078	B2078	⌋	MB303061		1168	●E1168	⊙	MB242818
86/01~88/06	C11A,C12A,C13A,C14A,CA,18A				MB430997		2877		⊙ ⊙	MB515097

MIRAGE VAN/LANCER VAN

85/02~86/01	C11V,12V,14V,12W,14W	A2078	B2078	⌋	MB303060	MB518032				MB338897 MB338899
86/08~92	C12V,14V				MB430354	MB430997				MB339474 MB339475
86/08~92	C37V (4WD)				MB430665	MB573456				MB515064 MB584387 MB871227

MIRAGE/MIRAGE II/LANCER FIORE

78/08~83/09	A151,152,155,156(1200,1400) A153,157(1600)	S3039	●Z3039	⌋	MB109090 MB109091	MB109188 MB109189	2568	E2568	⊙ ⊙	MB110446 MB242061 MB242062 MB110447 MB242813
-------------	---	-------	--------	---	----------------------	----------------------	------	-------	--------	--

MITSUBISHI FUSO CABIN DAMPER

		2891R		⌋ ○						
--	--	-------	--	--------	--	--	--	--	--	--

PAJERO IO/PAJERO PININ/MONTERO IO

98/07~	H67W (2000) H76W (1800) H77W (2000)				MR455696 MR519093 MR554614	MR519092 MR554613 MR992092				MR319750 MR455654 MR554620 MR554812 MR374286 MR510016 MR554621 MR992093
98/07~	H57 H60 H70				MR319792 MR455401 MR353742 MR554800					MR319750 MR455654 MR554620 MR554812 MR374286 MR510016 MR554621 MR992093

○ Eyering
⌋ Upper Bolt

⊙ Bushing
⌋ Lower Bolt

⊗ XPin Type Bushing
⌋ Suspension Strut

⌋ Coil Over Type
⌋ Strut Cartridge

MITSUBISHI
NISSAN
NISSAN DIESEL
PERODUA
PROTON
SUBARU
SUZUKI
TOYOTA

MITSUBISHI



YEAR	MODEL (Make-Name)	FRONT				REAR			
		TOKICO NO. OIL	TOKICO NO. GAS	⌄	OEM NO.	TOKICO NO. OIL	TOKICO NO. GAS	⌄	OEM NO.

PAJERO SPORT/MONTERO SPORT/CHALLENGER

96/04~	K86W,K94W,K96W,K97W, K99W for General		E3560	⌄ ⊙	MR267178	MR448498				MR210742	MR448499
97/07~	K94W,K96W,K99W for North America		E3560	⌄ ⊙	MR267178	MR316549				MR210742	MR455624
98/07~	K94W,K96W,K99W for Australia & New Zealand		E3560	⌄ ⊙	MR448497	MR554760				MR554761	
98/07~	K94W (2500D 4WD), K96W (3000 4WD) for EU		E3560	⌄ ⊙	MR448498					MR448499	
98/05~99/05	K85W,K86W,K96W for General		E3560	⌄ ⊙	MR267178					MR234268	
00/05~05/12	K96W for General		E3560	⌄ ⊙	MR554760					MR554761	

PAJERO/SHOGUN/MONTERO

83/01~91	L041G,L042G,L043G,L044G, L046G,L047G,L048G,L049G	3397	E3397	⌄ ⊗	MB303366	MB349076	2800	E2800	○ ○	MB242115	MB338570
88/11~91	L141G,L144G,L146G, L149G(Rear coil spring sus.)	3397	E3397	⌄ ⊗	MB303366					MB584272	MB809376
91~99/08	V1#V/W,V3#V/W		E3560	⌄ ⊙	MB633900	MB892584	2800	E2800	○ ○	MB242115	MB338570
91~99/08	V2#C/W,V4#W(Rear coil spring sus.)		E3560	⌄ ⊙	MB633900	MB633915		E3561	⌄ ⊙	MB663364	MB633365
99/08~05/04	V64W(2.5 TD SHORT),V65W (3.5 TD SHORT),V68W(3.2 TD SHORT),V74W(2.5 TD SHORT), V75W(3.5 LONG),V78W(3.2 TD LONG)				MR448161	MR448162				MR418049	MR554291
04/05~06/12	V63W,V66W,V67W,V73W, V76W,V77W,V78W				MR510423	MR554292				MR554330	MR566275
04/05~06/12	V64W,V65W,V66W,V73W, V75W,V76W,V77W,V78W				MR554462					MR566276	MR594956
04/11~05/06	V73W,V77W				4062A002	4062A003				4162A027	
04/05~06/12	V64W,V65W,V66W,V73W, V75W,V76W,V77W,V78W				4062A002	4062A003				4162A023	
04/11~05/06	V73W,V77W				4062A005	4062A006				4162A027	
07/01~	V80 (Short) V90 (Long)				4062A002	4062A003				4162A116	4162A117
					4062A024					4162A127	4162A128

ROSA(MICRO BUS)

74~79/03	B200 All	3150		⌄ ○	MA222414		3068	E3344	○ ○ ○ ○	MA222515	
76~79/03	B360D	3150		⌄ ○	MA222414		3178	-----	○ ○	MA222536	MA222538
79/02~	BE201D,211D,BH212F	3463		○ ○	MB025270		3068	E3344	○ ○ ○ ○	MA222515	
83/06~	H214F(Turbo)	3463		○ ○	MB025270		3068		○ ○	MB161655	
86/06~91/11	BE434,435				MC357243		3178		○ ○	MC357241	

STARION

82/05~87/05	A182(Rear;Rigid Axle)	S3055		⌄	MB175683	MB175684		E2012	⊙ ⊙	MB111226	
82/05~87/05	A183(Rear;Independent Axle)	S3055		⌄	MB175681	MB175682				MB111305	MB111306
					MB349527	MB349528					

TA

05/07~	TA	5060		⌄ ⊙	MC814701V						
--------	----	------	--	--------	-----------	--	--	--	--	--	--

○ Eyring
⌄ Upper Bolt

⊙ Bushing
⌄ Lower Bolt

⊗ XPin Type Bushing
⌄ Suspension Strut

⊕ Coil Over Type
⌄ Strut Cartridge

MITSUBISHI



YEAR	MODEL (Make-Name)	FRONT				REAR			
		TOKICO NO.		⌄	OEM NO.	TOKICO NO.		⌄	OEM NO.
OIL	GAS	OIL	GAS						

TREDIA/CORDIA

82/03~82/09	A211A(GL,GX,GF) A212A (SX,GT,GSR,Super Saloon) A213A(SE,Super Saloon)				MB175987	2568	E2568	⊙ ⊙	MB111417
82/10~83/11	A211A(GL,GX,GF) A212A (SX,GT,GSR,Super Saloon) A213A(SE,Super Saloon)				MB175988	2568	E2568	⊙ ⊙	MB111418
83/12~87	A211A(GL,GX,GF) A212A (SX,GT,GSR,Super Saloon) A213A(SE,Super Saloon)				MB303099	2568	E2568	⊙ ⊙	MB111418
84/08~87	A215A(Super Saloon)				MB303099	2568	E2568	⊙ ⊙	MB111418

TRITON/L200(PICKUP)

05/07~	KB9T	2982		⌄ ⊗	MR992435	2983		○ ○	MR992631
--------	------	------	--	--------	----------	------	--	--------	----------

TRUCK

70~76/03	T62 ,63 ,65 All	3004		○ ○	03241-77001 MC816000				
72~74	T33 ,80 ,90 All T95J,T95JC(Excl.331,T8001)	5027		⊙ ⊙	03261-54000 03261-54002 03261-54001 03261-54003				
75~79	FU112,113,119,FU102,103 (Excl.Dump,Mixer)	●5034		⊙ ⊙	03261-58000 03261-58002 03261-58001				
75~83/12	FT/FU/FV(112,113,119) FP 117,FD,FM,FW123,FP318 FU313,315,FU313,FV315,FR113	5035		⊙ ⊙	03261-57000				
76/07~83/12	FK102,103,115,116,215,216 FM215,315,316	3143		⌄ ○	MC816100 MC802624 MC816202				MC802336 MC804400
88/10~	FK330,335(Low Floor),337(Low Floor),FK335,337(Mixer),FK345	3143		⌄ ○	MC802624	-----			MC805986 MC809390
84/02~87/09	FK445,545	-----			MC812325	5011		⌄ T	03260-23005
86/11~	FK315,316,325	3143		⌄ ○	MC802624				
87/10~89	FK415,416,425,515,516	3143		⌄ ○	MC802624				
87/10~90	FK417,517	3143		⌄ ○	MC802624	-----			MC805986

○ Eyering
⌄ Upper Bolt

⊙ Bushing
T Lower Bolt

⊗ XPin Type Bushing
⌄ Suspension Strut

⊕ Coil Over Type
⌄ Strut Cartridge

MEMO

NISSAN

810 107-108
AD WAGON VAN 116-117
ALMERA 119-121
ATLAS 104
AUSTER 115-116
AVENIR 104
BASSARA 113
BISON 109
BLUEBIRD 104-106
BLUEBIRD WAGON 104
CABALL 109
CABSTAR 106
CARAVAN 106
CEDRIC 106-107
CEFIRO 107-108
CHERRY 108
CIVILIAN 108-109
CLIPPER 108-109
CLIPPER(LIGHT COACH MICRO BUS) 109
DATSUN AD VAN 118
DATSUN PICKUP 109-110
DATSUN TRUCK 109-110
EXA 114
GLORIA 106-107
HOMER 106
HOMY 106
INFINITY 130 107-108
JUNIOR 110
LAFESTA 110
LANGLEY 113-114
LARGO 111
LAUREL 111
LAUREL SPIRIT 117
LEOPARD 111-112
LIBERTA VILLA 114
MARCH 112
MAXIMA 107-108

MICRA 112
MILER 112
MISTRAL 121
NAVARA 112
NOMADO 121
PATH FINDER 121
PATROL 112-113
PRAIRIE 113
PRESAGE 113
PRIMERA 113
PRIMERA WAGON 104
PULSAR 113-114, 118
SAFARI 112-113
SENTRA 118-121
SERENA 115
STANZA 115-116
SUNNY 117-121
SUNNY CAB 108
SUNNY TRAVELLER 116-117
SUNNY TRUCK 117
TERRANO 121
TERRANO II 121
VANETTE(SUNNY/CHERRY/DATSUN) • 121
VIOLET 115-116
WINGROAD 117
X-TRAIL 121

NISSAN



YEAR	MODEL (Make-Name)	FRONT					REAR				
		TOKICO NO.		⊥	OEM NO.		TOKICO NO.		⊥	OEM NO.	
OIL	GAS	OIL	GAS		OIL	GAS					

ATLAS

82/02~	F22(Low Floor Model of Single Tire)	3275	E3275	⊥ ⊙	56110-T3027	56110-T5425	3068	E3344	⊙ ⊙ ●EL3344	56210-T5427	
					56110-T3028	56110-T5426				56210-T6227	
82/02~	F22(Double Tire)	3275	E3275	⊥ ⊙	56110-T3027	56110-T5425				56210-T6225	
					56110-T3028	56110-T5426	56210-T6226				
82/02~	F22(Single Tire All,Excl.Low Floor Model)	3275	E3275	⊥ ⊙	56110-T3027	56110-T5425	3141		⊙ ⊙	56210-T3025	
					56110-T3028	56110-T5426				56210-T6125	
82/02~90/07	F22(Double Tire)	3275	E3275	⊥ ⊙	56110-B8625					56210-T6225	
					56110-B8626		56210-T6226				

AVENIR/PRIMERA WAGON/BLUEBIRD WAGON

90/05~98/01	W10,NW10 4WD				54302-72N00	54303-72N00		E2995	⊙ ⊙	56210-72U10	56210-72N25
					54302-75N00	54303-75N00				56210-72N00	56210-75N25
					54302-72N25	54303-72N25				56210-75N00	
					54302-75N25	54303-75N25					
90/05~98/01	W10 2WD				54302-70N00	54303-70N00		E2960	⊙ ⊙	56210-70N00	56210-82N00
					54302-76N00	54303-76N00				56210-70N25	56210-82N01
					54302-78N00	54303-75N00				56210-76N00	56210-82N25
					54302-70N25	54303-70N25				56210-76N25	56210-82N26
					54302-76N25	54303-76N25					
					54302-78N25	54303-78N25					

BLUEBIRD

67/08~70/07	510,P510	S3002	-----	⊥	54302-21025	54303-22025	●2125	●G2185	⊥ ⊙ ⊥ ⊙	56210-21028	
					54302-21026	54303-22026				56210-22025	
					54302-21027	54303-22027				56210-22125	
					54302-21028	54303-22028				56210-78525	
					54302-22025	54303-A1125					
					54302-22026	54303-A1126					
					54302-22027	54303-A1127					
					54302-22028	54303-A1128					
					54302-A0825						
					54302-A0826						
					54302-A1125						
					54302-A1126						
					54302-A1127						
					54302-A1128						
54302-A8625											
54302-A8626											
70/07~71/05	V510,W510,P510,N510	●S3001	-----	⊥	54302-A3025	54303-A3025	●2125	●G2185	⊥ ⊙ ⊥ ⊙	56210-A8925	
					54302-A3026	54303-A3026					
					54302-A3725	54303-N0225					
					54302-A3726	54303-N0226					
					54302-A3727						
					54302-A3728						
					54302-A3729						
54302-N0225											
54302-N0226											
71~75	610 All (Excl.W/E Model Van,Wagon 2000GT)	S3003	-----	⊥	54302-N1327	54303-U0525		●G2199	⊥ ⊙	56210-U0125	
					54302-U0125	54303-U0526				56210-U0126	
					54302-U0126	54303-U5125					
					54302-U0525						
					54302-U0526						
71~76/06	610 W/E Model 610(2000GT,GTX) (Excl.GFTK,KGFTK)	S3003	-----	⊥	54302-K0527	54303-K0527		●G3224	⊥ ⊙	56210-U0127	56210-U0128
					54302-K0528	54303-K0528				56210-U3525	56210-U3425
					54302-U5127	54303-U5127					
					54302-U3525	54303-U3525					

⊙ Eying
⊥ Upper Bolt

⊙ Bushing
⊥ Lower Bolt

⊗ XPin Type Bushing
⊥ Suspension Strut

⊥ Coil Over Type
⊥ Strut Cartridge

TOKICO SHOCK ABSORBERS

NUMERICAL LISTING

NISSAN



YEAR	MODEL (Make-Name)	FRONT				REAR			
		TOKICO NO. OIL	GAS		OEM NO.	TOKICO NO. OIL	GAS		OEM NO.

BLUEBIRD(Continued)

71~76/06	610(Van,Wagon)	S3003	-----		54302-N1325 54302-N7125 54302-N7126 54302-U5125	54303-N1325 54303-N7125 54303-N7126 54303-U5125	●2208			56210-U1325 56210-U1326 56210-U1327 56210-U1425	
71/05~73	V510,W510,P510,N510	S3003	-----		54302-U0125 54302-U0126		●2127			56210-22525 56210-22526	56210-26225
71/05~73/03	510,N510,P510,H510	S3003	-----		54302-N1325 54302-N1326 54302-N1327 54302-N1328 54302-N2125	54302-N2126 54302-N2127 54302-N2128 54302-U0125 54302-U0126	●2125 3155	●G2185 -----		56210-A8925	
72~73/03	P510,N510	S3003	-----		54302-N1325 54302-N1326	54302-N1327 54302-N1328	2206			56210-U1526	
75~76/06	610 All(Excl. V,2000GT)	S3003	-----		54302-U7025 54302-U7027	54303-U7025		●G2199		56210-U0125 56210-U0126	
76/06~79/09	J810(Van)	S3002	-----		54302-U7425 54302-U7427	54303-U7425	●2208			56210-U1425 56210-U1426	56210-U8625 56210-U8626
76/07~77/09	J810,D811,(Excl.SSS) (Leaf Spring Model)	S3002	-----		54302-U7425 54302-U7525	54303-U7425 54303-U7525		●G2287		56210-U7425	
76/07~79/09	P810,G810,P811,G811,810SSS (Incl. Long Nose Model) (Coil Spring Model)	S3002	-----		54302-U7526 54302-U7725 54302-U8725	54303-U7526 54303-U7725 54303-U8725		●X2286 U2784		56210-U7625 56210-U7626 56210-U7627	56210-U7628 56210-U7629 56210-U7725
77/10~79/09	J810,D811,J811 (Excl.SSS)(Coil Spring Model)	S3002	-----		54302-U7526 54302-U7725	54303-U7526 54303-U7725		●U3306 U2622		56210-U7500 56210-U7525	
79/10~81/12	J910***Wagon	S3053	-----		54302-W1225 54302-W3525 54302-W3526	54303-W1225 54303-W3525 54303-W3526	1144			56210-W2825 56210-W2826	56210-W2827 56210-W2828
79/10~83/09	P910,U910,Y910 (SSSES,Incl.Turbo)	S3038	-----		54302-F5125 54302-F5126 54302-W1425	54303-F5125 54303-F5126 54303-W1425		●X2286 U2784		56210-W1225 56210-W1226 56210-W1425	56210-W1426 56210-W1427 56210-W1428
79/10~83/09	P910,Y910,KP910,U910 (SSS ,Incl.Turbo.Excl.SSSES)	S3053	-----		54302-W1225 54302-W3525 54302-W3526	54303-W1225 54303-W3525 54303-W3526		●X2286 U2784		56210-W1225 56210-W1226 56210-W1425	56210-W1426 56210-W1427 56210-W1428
79/10~83/09	J910,J910(GF,GL), J910(5-transmission,AT)	S3008	●Z3008		54302-W1025 54302-W3425 54302-W3426	54303-W1025 54303-W3425 54303-W3426		●U3306 U2622		56210-W1025 56210-W1026	56210-W1027 56210-W1028
79/10~83/09	J910***Van	S3008	●Z3008		54302-W2725 54302-W3825 54302-W3826	54303-W2725 54303-W3825 54303-W3826	1144			56210-W2725 56210-W2726	56210-W2727 56210-W2728
79/10~85/01	PJ910,EJ910(Diesel)	S3053	-----		54302-W1625 54302-W1626 54302-W3485	54303-W1625 54303-W1626 54303-W3485	●Q3357	●U3306 U2622		56210-W1625 56210-W1626 56210-W1627 56210-W1628	56210-W1685 56210-W1686 56210-W1687 56210-W1688
82/01~83/09	J910***Wagon	S3053	-----		54302-W1225 54302-W3525 54302-W3526	54303-W1225 54303-W3525 54303-W3526	●2700			56210-W3825 56210-W3826	
83/10~87/08	U11	R A3041 L A3042	-----		54302-05E25 54303-05E25	54302-14E26 54303-14E26	S1103			55302-01E25 55302-01E27	55303-01E25 55303-01E27
83/10~87/08	U11(L,LX,SLX,SLXG)		-----		54302-01E25 54302-01E26	54303-01E25 54303-01E26	S1103			55302-01E25 55302-01E27	55303-01E25 55303-01E27
83/10~87/08	U11				54302-04E25	54303-04E25	S1103			55302-01E25 55302-01E27	55303-01E25 55303-01E27
83/10~86/10	U11(Wagon)	R A3039 L A3040	●B3039 ●B3040		54302-10E00 54302-10E25 54302-13E25 54303-10E00 54303-10E25 54303-13E25	54302-15E10 54302-24E00 54303-15E10 54303-24E00	S1089	●Z1089		55302-10E25 55302-10E26 55302-10E28 55302-10E29	55303-10E25 55303-10E26 55303-10E28 55303-10E29
83/10~86/01	U11(Diesel Van)	R A3041 L A3042	-----		54302-05E25 54303-05E25	54302-14E26 54303-14E26	●2841			56210-09E25	

○ Eyering
└ Upper Bolt

◎ Bushing
T Lower Bolt

⊗ XPin Type Bushing
┌ Suspension Strut

⊕ Coil Over Type
┌ Strut Cartridge

mitsubishi

NISSAN

NISSAN DIESEL

PERODUA

PROTON

SUBARU

SUZUKI

TOYOTA

NISSAN



YEAR	MODEL (Make-Name)	FRONT				REAR			
		TOKICO NO. OIL	TOKICO NO. GAS	⌄	OEM NO.	TOKICO NO. OIL	TOKICO NO. GAS	⌄	OEM NO.

BLUEBIRD(Continued)

85/02~	C910		S3053	-----	⌄	54302-W1625	54303-W1625		-----			56210-W9725
						54302-W1626	54303-W1626					
						54302-W3485	54303-W3485					
85/06~89/11	U11		R A3037	-----	⌄	54302-24E26						
			L A3038	-----	⌄	54303-24E26						

CABSTAR

69~76	A320 ,A321 ,VPA321		●2162		⌄	56110-B0725	56110-B3925		2089		○	56210-B0725
					T						T	

CABSTAR/HOMER

76/01~78/03	F20 All		●3099		○	34920-6401P	34920-6408P		3141		○	56210-T3025
					○						○	
78/04~81/12	F20 (Excl.Low Floor Model)		3275	E3275	⌄	56110-T3027			3141		○	56210-T3025
				-----	⊙						○	
78/04~81/12	F20 (Long Low Floor Model)		3275	E3275	⌄	56110-B8625			-----			56210-T5425 56210-T5426
				-----	⊙							
78/04~81/12	F20 (Standard Low Floor Model)		3275		⌄	56110-T5425			3068	E3344	○	56210-T5427
					⊙					●EL3344	○	

CARAVAN/HOMY

73/03~78/08	E20 All		●2291	-----	⌄	56110-B6025	56110-B8425		2220	●EL2220	○	56210-B6025
					○						T	
78/04~80/08	E20 All		3275	E3275	⌄	56110-B8625	56110-B8626		2220	●EL2220	○	56210-B6025
				-----	⊙						T	
80/08~86/08	E23 All		3275	E3275	⌄	56110-R8025	56110-R8027		2220	●EL2220	○	56210-R8025 56210-R8027
				-----	⊙	56110-R8026	56110-R8028				T	56210-R8026 56210-R8028
86/09~99/06	E24 Van All,		3418	E3418	⌄	56110-01N25	56110-01N26		3068	E3344	○	56210-01N25
					⊙					●EL3344	○	
				●EL3418	⌄						○	
					⊙						○	
86/09~99/06	E24 Coach(Excl.Adjustable Type),Micro Bus		3418	E3418	⌄	56110-01N25	56110-01N26		2816	-----	○	56210-05N25
					⊙						○	
				●EL3418	⌄						○	
					⊙						○	

CEDRIC/GLORIA

65~70	130								3121		⌄	56210-69000
											○	
71~74	230,K230,N230,(Patrol) KH230,H230(2600) N230,W230(Wagon), 230(Standard),V230(Van)		●3120	●G3193	⌄	56110-P0125	56110-P0525		3037	●EL3037	○	56210-P1025 56210-P0825
				E3120	⊗	56110-P0126				E3435	○	56210-P1026 56210-P0825
					⌄						○	
					⊗						○	
75~79/10	330,P330(SED),K330, KP330(Hardtop),N330,Q330, 330(Standard) R330(Diesel) V330(Van),VR330(Diesel Van) V430,VR430,VH430(Van)		●3254	●EL3279	⌄	56110-Y0125	56110-Y1525		3037	●EL3037	○	56210-P1025 56210-Y0125
				E3279	⊗	56110-Y0525	56110-V1225			E3435	○	56210-P1026 54210-P0825
					⌄						○	
					⊗						○	
79/06~83/05	430,P430,N430,H430,R430, S430,430(LPG),430(Turbo) 430,P430,N430,H430,R430, S430		3279	●EL3279	⌄	56110-V0127	56110-V1425		3280	E3280	⌄	56210-V0125 56210-V1427
				E3279	⊗	56110-V0128	56110-V1427			●EL3280	⊙	56210-V0126 56210-V0225
					⌄		56110-V1428				⌄	56210-V0127 56210-V0226
					⊗						⊙	56210-V0128
79/06~83/05	W430,WH430(Wagon) V430,VR430		3279	●EL3279	⌄	56110-V0125			3037	●EL3037	○	54210-P1025
				E3279	⊗						○	
					⌄					E3435	○	
					⊗						○	

○ Eyering
⌄ Upper Bolt

⊙ Bushing
T Lower Bolt

⊗ XPin Type Bushing
⌄ Suspension Strut

⌄ Coil Over Type
⌄ Strut Cartridge

TOKICO SHOCK ABSORBERS

NUMERICAL LISTING

NISSAN



YEAR	MODEL (Make-Name)	FRONT				REAR			
		TOKICO NO. OIL	GAS		OEM NO.	TOKICO NO. OIL	GAS		OEM NO.

CEDRIC/GLORIA(Continued)

83/06~87/05	Y30 All(Excl. Wagon, Van)	S3085	●Z3085		54302-V5025	54303-V5025	3356	E3356		56210-V5025	
					54302-V5026	54303-V5026		●EL3356			56210-V5026
					54302-V5027	54303-V5027					56210-V5050
					54302-V5028	54303-V5028					56210-V5125
					54302-V5525	54303-V5525					56210-V5825
					54302-V6225	54303-V6225					
					54302-V6625	54303-V6625					
					54302-V6925	54303-V6925					
					54302-V7126	54303-V7126					
					83/06~87/05	Y30(Wagon), Y30(LPG Wagon) Y30(LPG Van)		S3085		●Z3085	
					54302-V5026	54303-V5026		E3435			
					54302-V5027	54303-V5027					
					54302-V5028	54303-V5028					
					54302-V5525	54303-V5525					
					54302-V6225	54303-V6225					
					54302-V6625	54303-V6625					
					54302-V6925	54303-V6925					
					54302-V7126	54303-V7126					
87/06~91/05	Y31,***Incl., Y31(LPG)	S3106	●Z3106		54302-18V25	54303-18V25	3395	E3395		56210-18V25	
	Y31***Original TUJY31(Diesel)				54302-19V25	54303-19V25		●EL3395			56210-35V25

CEFIRO

88/09~94/08	A31	R	A1062		54302-71L02	54302-71L26		U2867		56210-71L00
					54302-71L12	54302-71L85				56210-71L01
					54302-71L25	54302-71L86				56210-71L25
		L	A1063		54303-71L02	54303-71L26				56210-71L26
					54303-71L12	54303-71L85				56210-71L85
					54303-71L25	54303-71L86				56210-71L86

CEFIRO/MAXIMA/810/INFINITY 130

94/08~98/12	A32	R		B3102		54302-31U27	54302-31U33		U2932		56210-40U25
						54302-31U28	54302-31U12				56210-43U01
						54302-31U22	54302-31U25				56210-40U00
						54302-31U26	54302-31U72				
						54302-31U74	54302-31U85				
						54302-31U88	54302-43U22				
						54302-43U25	54302-43U26				
						54302-44U22	54302-44U25				
						54302-44U26	54302-44U28				
						54302-44U72	54302-44U74				
		L		B3103		54303-31U27	54303-31U33				
						54303-31U28	54303-31U13				
						54303-31U23	54303-31U73				
						54303-31U75	54303-31U85				
						54303-31U88	54303-43U22				
						54303-43U25	54303-43U26				
						54303-44U23	54303-44U25				
						54303-44U26	54303-44U28				
						54303-44U73	54303-44U75				

○ Eyeing
⊥ Upper Bolt

◎ Bushing
T Lower Bolt

⊗ XPin Type Bushing
⊞ Suspension Strut

⊕ Coil Over Type
⊔ Strut Cartridge

NISSAN



YEAR	MODEL (Make-Name)	FRONT					REAR				
		TOKICO NO.		⚙	OEM NO.		TOKICO NO.		⚙	OEM NO.	
OIL	GAS	OIL	GAS								

CEFIRO/MAXIMA/810/INFINITY 130(Continued)

98/12~01/01	A33(Include North America)	R	B3228	⚙	54302-2Y002	54302-2Y900	U2972	⚙	56210-2Y002	56210-3Y025
					54302-2Y003	54302-2Y901			56210-2Y026	56210-3Y027
					54302-2Y004	54302-2Y902			56210-2Y402	56210-3Y028
					54302-2Y026	54302-2Y925			56210-2Y426	56210-5Y000
					54302-2Y085	54302-2Y927			56210-2Y900	56210-5Y025
					54302-2Y402	54302-2Y985			56210-2Y901	56210-6Y300
					54302-2Y403	54302-3Y000			56210-2Y902	56210-6Y325
		54302-2Y404	54302-3Y001	56210-2Y925	56210-6Y400					
		54302-2Y426	54302-3Y025	56210-2Y927	56210-6Y401					
		54302-2Y485	54302-3Y027	56210-2Y928	56210-6Y425					
		L	B3229	⚙	54303-2Y002	54303-2Y900	U2972	⚙	56210-3Y000	56210-6Y427
					54303-2Y003	54303-2Y901			56210-3Y001	56210-6Y000
					54303-2Y004	54303-2Y902				
					54303-2Y026	54303-2Y925				
54303-2Y085	54303-2Y927									
54303-2Y402	54303-2Y985									
54303-2Y403	54303-3Y000									
54303-2Y404	54303-3Y001									
54303-2Y426	54303-3Y025									
54303-2Y485	54303-3Y027									
00/07~02/12	A33(Include North America)	R	B3230	⚙	54302-2Y904	54302-6Y325	U2972	⚙	56210-2Y002	56210-3Y025
					54302-2Y988	54302-6Y400			56210-2Y026	56210-3Y027
					54302-6Y200	54302-6Y425			56210-2Y402	56210-3Y028
									56210-2Y426	56210-5Y000
									56210-2Y900	56210-5Y025
									56210-2Y901	56210-6Y300
									56210-2Y902	56210-6Y325
		L	B3231	⚙	54303-2Y904	54303-6Y325	U2972	⚙	56210-2Y925	56210-6Y400
					54303-2Y988	54303-6Y400			56210-2Y927	56210-6Y401
					54303-6Y200	54303-6Y425			56210-2Y928	56210-6Y425
									56210-2Y925	56210-6Y401
									56210-2Y927	56210-6Y401
									56210-2Y928	56210-6Y425
									56210-3Y000	56210-6Y427
		56210-3Y001	56210-6Y000							

CHERRY

70~78/11	C20	●2174	⊙	56110-G0325	2173	○	56210-G3025
----------	-----	-------	---	-------------	------	---	-------------

CHERRY/SUNNY CAB

70~78/10	C20,C20(CAB)C20(CAB Van)	●2174	⊙	56110-G0325	2173	○	56210-G0325
----------	--------------------------	-------	---	-------------	------	---	-------------

CIVILIAN

82/08~83/08	W40(Long Body)	3468	⊥	56110-S9025			56210-S9525		
82/08~90/06	W40,W40(Short Body)	3468	⊥	56110-S9025	56110-S9026	3469	○	56210-S9025	56210-S9026
			○					T	
83/09~90/06	W40(Long Body)			56110-S9926		3469	○	56210-S9526	
84/06~90/06	W40(Turbo,Short Body)	3468	⊥	56110-S9026				56210-S9428	
			○						

CLIPPER

58~65	T63	●3016	⊥	34988-6301	34988-6302P	3017	○	35998-6301	35998-6302P
66~76/04	T65,D65 All (Single Tire, Excl.Bus) T40 Single Tire All(Excl.Bus)	3138	⊥	34999-6501P	56110-85025	3068	○	35999-6501P	56210-85025
			○				●EL3344	○	
			○						○
73~76/04	T40 Double Tire All(Short Chassis) (Excl.Dump 2.5ton)	3138	⊥	56110-T2025		●3231	○	56210-82625	
73~76/04	T40 Double Tire All (Long Chassis,Dump,2.5ton)	3138	⊥	56110-T2025		●3233	○	56210-82725	

○ Eyering
⊥ Upper Bolt

⊙ Bushing
T Lower Bolt

⊗ XPin Type Bushing
⚙ Suspension Strut

⚙ Coil Over Type
⊥ Strut Cartridge

TOKICO SHOCK ABSORBERS

NUMERICAL LISTING

NISSAN



YEAR	MODEL (Make-Name)	FRONT				REAR				
		TOKICO NO. OIL	GAS	⌄	OEM NO.	TOKICO NO. OIL	GAS	⌄	OEM NO.	
CLIPPER(LIGHT COACH MICRO BUS)										
66~76/04	T654,B657,B664,T40,B658	3138		⌄ ○	34999-6501P 56110-85025	3068	E3344 ●EL3344	○ ○ ○ ○	35999-6502P 56210-85325	

CLIPPER/CABALL/BISON/CIVILIAN

66~67/09	C240 Micro Bus,Light Van (GHC,GHQC,GC,GQC,VC,Single Tire),C240 Single Tire All (Excl.GHC,GHQC,GC,GQC,VC)	3178	E3178	○ ○	56110-76026 56110-76425	3178	E3178	○ ○	56110-76025 56110-76026 56210-76025 56210-76725	
67/09~71/10	C240 Micro Bus,Light Van (GC,GQC,VC,Single Tire) C240 Light Van(VC,Single Tire)	3175		⌄ ○	56110-76027	3175		⌄ ○	56110-76027	
68/10~78/01	C240 Micro Bus(GC,GQC Single Tire),C240 Single Tire All (Excl.Bus,light Van),C240 Micro Bus,Single Tire,C240 Light Van, Single Tire(VC),C340 Bus (Single Tire)	3175		⌄ ○	56110-76027 56110-J1025 56110-77225	3178	E3178	○ ○	56210-77025 56110-76026 56210-J2025 56210-J1025	
71/10~78/01	C240 Double Tire Bus,C340 Bus(Double Tire,Excl.Standard)	3138		⌄ ○	56110-J4525	●3233		○ T	56210-82725	
76/05~81/12	C340 (Truck Single Tire) C340 (Truck Single Tire) C340 Bus(Single Tire)	3138		⌄ ○	56110-T2025 56110-J5125	3178	E3178	○ ○ ○	56210-J2025	
76/05~80/05	C340 (High Floor Truck Standard Body 2ton Double Tire)	3138		⌄ ○	56110-T2025 56110-J5125 56110-J4525	●3231		○ ○ ○	56210-82625	
76/05~78/01	C340 (High Floor Truck Long Body 2ton Double Tire 2.5ton, Damp 2ton),C340BUS	3138		⌄ ○	56110-T2025 56110-J4525	●3233		○ ○ T	56210-82725	
78/02~81/12	C340 (High Floor Truck Long Body 2ton Double Tire 2.5ton) C340 Bus,C340 (High Floor Truck Standard Body 2ton Double Tire Damp 2ton)	3138		⌄ ○	56110-J4525 56110-J5125 56110-T2025	●3316		○ T	56210-J5625	
78/11~81/12	C340 (High Floor Truck Long Body 2ton Double Tire 2.5ton)	3138		⌄ ○	56110-J4525	●3319		⊙ ⊙	56210-J6425	
80/06~81/12	C340 Bus(Long Body)	3138		⌄ ○	56110-J4525				56210-J6725	
80/06~81/12	C340 High Roof Bus	3138		⌄ ○	56110-J4525				56210-J6326 56210-J6325	

DATSUN TRUCK/DATSUN PICKUP

65~70	U520,521(Pick up), V520,521(VAN)	2088		⌄ T	56110-14825	2089		○ T	56210-15225 56210-14825 56210-20825	
71~79/08	620(Truck, Van, Custom Model) (Incl.Flat Floor Truck)	2219	E2566 ●EL2566	⌄ ⊙ ⌄ ⊙	56110-B5025 56110-B9526 56110-B9525	2220	●EL2220	○ T	56210-B5025 56210-B9526	
71~79/08	N620(Pickup)	2219	E2566 ●EL2566	⌄ ⊙ ⌄ ⊙	56110-B5025 56110-B5625	2221	-----	○ T	56210-B5625	
79/09~85/07	720 All(Excl.4WD)	2566	E2566 ●EL2566	⌄ ⊙ ⌄ ⊙	56110-01W25 56110-25W25 56110-01W26	2220	●EL2220	○ T	56210-01W25 56210-B9525 56210-01W26 56210-B9526 56210-25W25	
80/04~81/12	720 (4WD)	2219	E2566 ●EL2566	⌄ ⊙ ⌄ ⊙	56110-41W25	2220	●EL2220	○ T	56210-41W25	

○ Eying
⌄ Upper Bolt

⊙ Bushing
T Lower Bolt

⊗ XPin Type Bushing
⊞ Suspension Strut

⊞ Coil Over Type
⌄ Strut Cartridge

NISSAN



YEAR	MODEL (Make-Name)	FRONT				REAR			
		TOKICO NO. OIL	TOKICO NO. GAS	⌚	OEM NO.	TOKICO NO. OIL	TOKICO NO. GAS	⌚	OEM NO.

DATSUN TRUCK/DATSUN PICKUP(Continued)

82/01~85/07	720 (4WD)	2219	E2566 ●EL2566	⌚ ⊙ ⌚ ⊙	56110-41W25	56110-50W25	2186	E2186 -----	○ ○	56210-42W25	
85/08~98/02	D21(2WD)	2219	E2566	⌚ ⊙	56110-25G00 56110-25G25	56110-25G26	2518		○ ○	56210-25G00 56210-25G25	56210-25G26 56210-35G25
85/08~98/02	D21(4WD)	2813		⌚ ⊙	56110-31G25 56110-35G00 56110-35G25	56110-86G00 56110-86G25	2814		○ ○ ○	56210-31G00 56210-31G25	56210-35G00 56210-35G25
85/08~98/02	D21				56110-01G00 56110-01G25	56110-01G27	2554		○ ○	56210-01G00 56210-01G25	56210-10G00 56210-10G25
85/08~98/02	D21				56110-36G00	56110-36G25					
98/02~02/08	D22(2.4,2.5,TD 2WD)	2219	E2566	⌚ ⊙	56110-25G00 56110-25G25 56110-25G27	56110-25G50 56110-25G85	2518		○ ○ ○	56200-25G00 56200-25G25 56210-25G00	56210-25G25 56210-25G27
98/02~02/08	D22(2.4,2.5,TD 4WD)	20005		⊙ T	56110-2S600 56110-2S625 56110-2S650	56110-3S525 56110-3S560 56110-3S570	2814		○ ○	56200-35G00 56210-35G25	56200-35G25 56210-35G26
82/09~85/08	Steering Damper(4WD)	SD1004		○ ⊙	48611-50W00						
85/08~99/01	Steering Damper(4WD)	SD1005		○ ⊙	48611-01G00						
85/08~99/01	Steering Damper(2WD)	SD1006		○ ⊙	48611-01G10						

JUNIOR

70~79/09	140,N140	3227		⌚ ○	56110-J0125	56110-J0127	3068	E3344 ●EL3344	○ ○ ○	56210-J0125	
----------	----------	------	--	--------	-------------	-------------	------	------------------	-------------	-------------	--

LAFESTA

04/12~	B30(2WD)	R	B2273	⊚	54300-EN80A 54300-EN81B 54302-1A127 54302-1A186 54302-EN000 54302-EN002 54302-EN01B 54302-EN025 E4302-EN00A	54300-EN80B 54302-1A104 54302-1A129 54302-1A31C 54302-EN001 54302-EN00A 54302-EN01C 54302-EN026 E4C02-EN00A				56210-EN025 E6210-EN00A	56210-1A127
		L	B2274	⊚	54301-EN80A 54301-EN81B 54303-1A127 54303-1A186 54303-EN000 54303-EN002 54303-EN01B 54303-EN025 E4303-EN00A	54301-EN80B 54303-1A104 54303-1A129 54303-1A31C 54303-EN001 54303-EN00A 54303-EN01C 54303-EN026 E4C03-EN00A					
04/12~	NB30(4WD)	R	B2275	⊚	54302-EN100 54302-EN102 54302-EN11B 54302-EN125 E4302-EN10A	54302-EN101 54302-EN10A 54302-EN11C 54302-EN126 E4C02-EN10A				56210-EN125	E6210-EN10A
		L	B2276	⊚	54303-EN100 54303-EN102 54303-EN11B 54303-EN125 E4303-EN10A	54303-EN101 54303-EN10A 54303-EN11C 54303-EN126 E4C03-EN10A					

○ Eying
⌚ Upper Bolt

⊙ Bushing
T Lower Bolt

⊗ XPin Type Bushing
⊚ Suspension Strut

⊚ Coil Over Type
⊚ Strut Cartridge

TOKICO SHOCK ABSORBERS

NUMERICAL LISTING

NISSAN



YEAR	MODEL (Make-Name)	FRONT					REAR				
		TOKICO NO. OIL	GAS		OEM NO.		TOKICO NO. OIL	GAS		OEM NO.	

LARGO

93/05~96/10	NW30,VNW30(4WD)	R	A2277		⊕	54302-5C526	54302-5C507		E3792	○	56210-5C503	56210-5C527
		L	A2278		⊕	54303-5C526	54303-5C507			◎		

LAUREL

68~71	C30		S3002	-----	⊕	54302-26125	54303-26125	●2125	●G2185	⊥	56210-21028			
						54302-26126	54303-26126				○		56210-78525	
						54302-26127	54303-26127				⊥		56210-E6126	
						54302-26128	54303-26128				○		56210-E7325	
						54302-A2625	54303-A2625						56210-E7326	
						54302-A2626	54303-A2626							
54302-A8725														
70/06~72/04	C30(Hard Top)		S3003	-----	⊕	54302-E6625	54303-E6625	●2125	●G2185	⊥	56210-E7325	56210-E7326		
											○			
72/04~76/12	C130,131		S3002	-----	⊕	54302-S0125	54303-S0125				56210-S0125			
						54302-S0126	54303-S0126				○		56210-S0126	
						54302-S0127	54303-S0127							
						54302-S0425	54303-S0425							
						54302-S0525	54303-S3025							
54302-S3025														
72/04~76/12	C230,231		S3002	-----	⊕	54302-S0125	54303-S0125				56210-S0625			
						54302-S0126	54303-S0126				○		56210-S0626	
						54302-S0127	54303-S0127							
						54302-S0425	54303-S0425							
						54302-S0525	54303-S3025							
54302-S3025														
77/01~80/10	C230,231		S3002	-----	⊕	54302-Q0125	54303-Q0125		●X2286	⊕	56210-Q0125			
						54302-Q0126	54303-Q0126				⊕		56210-Q0126	
						54302-Q0525	54303-Q0525						56210-Q1625	
						54302-Q1625	54303-Q1625							
80/11~84/09	C31 All(Incl.Turbo ,Excl.Medalist)		S3002	-----	⊕	54302-31L25	54303-31L25		●X2615	⊕	56210-31L25	56210-31L88		
						54302-31L26	54303-31L26				⊕	56210-31L27	56210-31L89	
84/10~88/11	FJC,KFJC,TFGC,HJC,TEJC,EJC KEJC,SJC,KSJC32 KHC,KGC (Excl.Ground Cruising),GC32*** Incl. Turbo,Excl.Adjustable Type		●S3111 S3092		⊕	54302-41L25	54303-41L25		U2784	⊕	56210-41L25			
						54302-61L25	54303-61L25				⊕		56210-41L26	
						54302-61L26	54303-61L26							
						54302-61L27	54303-61L27							
84/10~88/11	FJC,KFJC,TFGC,HJC,TEJC,EJC KEJC,SJC,KSJC32, KHC,KGC (Excl.Ground Cruising),GC32*** Incl. Turbo,Excl.Adjustable Type KGC32(Ground Cruising)		●S3111 S3092		⊕	54302-41L25	54303-41L25		U2759	⊕	56210-61L85			
						54302-61L25	54303-61L25				⊕		56210-61L88	
						54302-61L26	54303-61L26							
						54302-61L27	54303-61L27							
						54302-61L28	54303-61L28							
54302-61L29	54303-61L29													
88/12~92/12	C33 Series	R	A1062		⊕	54302-71L00	54302-71L01		U2867	⊕	56210-71L00	56210-71L01		
						54302-71L02	54302-71L12				⊕	56210-71L25	56210-71L26	
						54302-71L25	54302-71L26					56210-71L85		
						54302-71L85	54302-71L86							
						54302-85L00	54302-85L10							
		54302-85L25	54302-85L26											
		L	A1063		⊕		⊕	54303-71L00	54303-71L01					
								54303-71L02	54303-71L12					
								54303-71L25	54303-71L26					
								54303-71L85	54303-71L86					
54303-85L00	54303-85L10													
54303-85L25	54303-85L26													

LEOPARD

80/09~82/08	F30,F30(SFL)		S3038	-----	⊕	54302-F5126	54303-F5126				56210-F5127	
						54302-F5127	54303-F5127				○	
80/09~86/01	JF30		S3038	-----	⊕	54302-W1425	54303-W1425		●X2622	⊕	56210-F5025	56210-F88225
						54302-W1426	54303-W1426				⊕	56210-F5026

○ Eying
⊥ Upper Bolt

◎ Bushing
⊥ Lower Bolt

⊗ XPin Type Bushing
⊕ Suspension Strut

⊕ Coil Over Type
⊕ Strut Cartridge

NISSAN



YEAR	MODEL (Make-Name)	FRONT				REAR			
		TOKICO NO. OIL	GAS	⌚	OEM NO.	TOKICO NO. OIL	GAS	⌚	OEM NO.

LEOPARD(Continued)

80/09~86/01	F30(Excl SFL model)	S3038	-----	⌚	54302-F5125	54303-F5125	●X2286	⌚	56210-F5125		
					54302-F5126	54303-F5126			U2784	56210-F5126	
					54302-F5127	54303-F5127				56210-F5325	
					54302-W3726	54303-W3726				56210-F5326	
84/06~86/01	F30(Grand Edition Turbo)	S3038	-----	⌚	54302-F6025	54303-F6025			56210-F6026		
86/02~	F31(XJ,XJ-II)		-----		54302-56S28	54303-56S28		U2759	⌚	56210-61L89	

MARCH/MICRA

82/10~92/11	K10 All	R	A1050	●B1050	⌚	54302-04B25	54302-04B87	Q1164	U1164	⌚	56203-01B25	56203-05B25	
						54302-04B26	54302-05B25				56203-01B26	56203-05B26	
						54302-04B27	54302-05B26				56203-01B28		
						54302-04B28							
92/08~02/02	K11, HK11	R	A1051	●B1051	⌚	54303-04B25	54303-04B87	1202	●E2939	⌚	56210-41B06	56210-4F125	
						54303-04B26	54303-05B25				⊕	56210-41B26	
						54303-04B27	54303-05B26				⊕		
						54303-04B28					⊕		
		L			⌚	54302-4F125	54302-4F126	E1202		⊕			
						54303-4F125	54303-4F126				⊕		

MILER

65~69	T440,T440A,T444	●3099		○	34953-4401	34953-4402P	3068	E3344	○	35998-4401P	35999-4401P
				○				●EL3344	○		
65~69	T442,T442A,T446,T446A	●3099		○	34953-4403	34953-4404P	3004		○	35998-4402P	35999-4402P
				○					○		

NAVARA

07~	X61B S/CAB 4X2		U3814	⌚	56110-EB70B	E6110-EB70B		E3815	⊕	56200-EB70C	E6200-EB70C
07~	X61B S/CAB 4X2 GCC Model		U3814	⌚	56110-EB70B	E6110-EB70B		E3817	⊕	56200-EB70D	E6200-EB70D
07~	X61B S/CAB 4X4		U3813	⌚	56110-EB71A	E6110-EB70B		E3816	⊕	56200-EB71A	E6200-EB71A
07~	X61B K/CAB 4X2		U3813	⌚	56110-EB71B	E6110-EB71B		E3815	⊕	56200-EB70C	E6200-EB70C
07~	X61B K/CAB 4X4		U3813	⌚	56110-EB71A	E6110-EB71A		E3816	⊕	56200-EB71A	E6200-EB71A
07~	X61B D/CAB 4X2(Low)		U3814	⌚	56110-EB70B	E6110-EB70B		E3815	⊕	56200-EB70C	E6200-EB70C
07~	X61B D/CAB 4X2(High)		U3813	⌚	56110-EB71B	E6110-EB71B		E3815	⊕	56200-EB70C	E6200-EB70C
07~	X61B D/CAB 4X2 GCC Model		U3814	⌚	56110-EB70B	E6110-EB70B		E3817	⊕	56200-EB70D	E6200-EB70D
07~	X61B D/CAB 4X4		U3813	⌚	56110-EB71A	E6110-EB71A		E3816	⊕	56200-EB71A	E6200-EB71A
07~	X61B D/CAB 4X4 GCC Model		U3813	⌚	56110-EB71A	E6110-EB71A		E3816	⊕	56200-EB71D	E6200-EB71D

PATROL/SAFARI

71~79/09	60, VG60	3124	●EL3124	⌚	56110-61525		●2069	●EL3345	⌚	56110-46525	
80/06~82/07	KR160, VR160, JR160 (HARDTOP, High Roof)	2620		⌚	56110-C6025		●2621		○	56210-C6225	
80/06~82/07	VRG160, 161, ARG160(Van)	2620		⌚	56110-C6025		2654		○	56210-C6225	
80/06~82/07	FG160, 161(Fire Engine)	2620		⌚	56110-C6025		●2716		○	56210-C6227	
82/08~88/12	KR160, VR160, JR160 (Hardtop, High Roof)	3347		⌚	56110-C7627		3348		○	56210-C7627	56210-C8228
				⌚	56110-C8225				⌚	56210-C8226	

○ Eyering
⌚ Upper Bolt

⊕ Bushing
⌚ Lower Bolt

⊗ XPin Type Bushing
⌚ Suspension Strut

⌚ Coil Over Type
⌚ Strut Cartridge

TOKICO SHOCK ABSORBERS

NUMERICAL LISTING

NISSAN



YEAR	MODEL (Make-Name)	FRONT				REAR			
		TOKICO NO. OIL	GAS	⌄	OEM NO.	TOKICO NO. OIL	GAS	⌄	OEM NO.

PATROL/SAFARI(Continued)

82/08~88/12	VRG160,161,ARG160(Van)	3347		⌄ T	56110-C7625 56110-C8225		3348		○ T	56210-C7627 56210-C8226	56210-C8228
82/08~88/12	FG160,161(Fire Engine)	3347		⌄ T	56110-C7625 56110-C8225		3349		○ T	56210-C7525 56210-C8525	56210-C8527 56210-C8561
87/10~	VRV60,VRGY60,YRY60,YG60, YGY60,KRY60,ARG60,WRGY60, WRY60,WGY60	4089		⌄ T	56110-22J00 56110-21J25 56110-22J25 56110-21J00		4090		○ ⊙	56210-01J25 56210-22J00 56210-22J25 56210-51N26	56210-21J00 56210-21J25 56210-51N01
91/10~	Y60,L,W.B.with Rear Coil Spring Sus.	4089		⌄ T	56110-39J00 56110-39J25					56210-39J00 56210-39J26	
97/10~	Y61 2.8TurboDiesel(RD28T), 4.2Diesel(TD42),4.2TurboDiesel (TD42T),4.5(TB45E)	4089		⌄ T	56110-39J00 56110-39J25 56110-VB010 56110-VB026 56110-VB700 56110-VB725					56200-VB060 56200-VB085 56210-VB010 56210-VB026	
97/10~	Y61 2.8TurboDiesel(RD28T), 4.2Diesel(TD42), 4.2TurboDiesel(TD42T), 4.5(TB45E)with Heavy Duty Sus.	4089		⌄ T	56110-VB000 56110-VB025					56210-VB000 56210-VB025	
71~82/07	Steering Damper	SD2149		○ ○ ○	48611-44000 48611-46500						
80/08~82/07	Steering Damper	SD2002		○ ○ ○	48611-C6000						
84/08~	Y160 Steering Damper	SD2004		○ ○ ○	48611-C9300						
87~	Y60 Steering Damper	SD2910		⊙ ○ ○	48611-01J00						
89/02~	773,920D Steering Damper	SD2902		⌄ T	48611-26J00						
97/10~	Y61 Steering Damper	SD2967		⌄ T	48611-VB000 48611-VB010						
99/08~	Y61 Steering Damper	SD2968		⊙ ⊙	48611-VC000						

PRAIRIE

82/08~88/08	BM10,PM10,VBN10 All	R	A2040	●B2040	⌄	54302-01R25 54302-08R25 54302-04R25		2715		⊙ ○	56210-08R25 56210-08R85 56210-08R26 56210-08R86 56210-08R27 56210-08R87 56210-08R28 56210-08R88
		L	A2041	●B2041	⌄	54303-01R25 54303-08R25 54303-04R25					
88/09~94/07	M10,11***2WD M11(4WD)					54302-32R25 54303-32R25 54302-42R25 54303-42R25					55302-32R25 55303-32R25 55302-42R25 55303-42R25

PRESAGE/BASSARA

98/06~03/05	All 2WD U30/HU30/TU30 ABS type	R	B3235	⌄	54302-AD725						56210-AD001 56210-AD029 56210-AD027
		L	B3236	⌄	54303-AD725						
98/06~03/05	All 4WD ND30/TNU30/UNU30 ABS type	R	B3235	⌄	54302-AD725						56210-AD301 56210-AD326 56210-AD304 56210-AD327 56210-AD320 56210-AD329
		L	B3236	⌄	54303-AD725						

PRIMERA

90/06~96	P10		U2929	⌄	56110-90J27 56110-90J86 56110-90J29 56110-90J87				R L	B3173 B3174	⌄ ⌄	55302-53J25 55302-58J26 55303-53J25 55303-58J26
										E2960	⊙ ⊙	56210-82N25
90/07~98/01	TRAVELLER W10											
96/10~04/09	2.0GT		U2959	⌄	56110-2F000 56110-2F525 56110-2F025 56110-2F500							
98/01~04/09	WAGON		U2959	⌄	56110-2F000 56110-2F525 56110-2F025 56110-2F500							

PULSAR/LANGLEY

78/10~82/04	VN10,11,HVN10,11,VUN10, VMN10(Van)		●S1046	-----	⌄	54302-M7025 54303-M7025		2715		⊙ ○	56210-M9025
-------------	---------------------------------------	--	--------	-------	---	-------------------------	--	------	--	--------	-------------

○ Eying
⌄ Upper Bolt

⊙ Bushing
T Lower Bolt

⊗ XPin Type Bushing
⌄ Suspension Strut

⌄ Coil Over Type
⌄ Strut Cartridge

NISSAN



YEAR	MODEL (Make-Name)	FRONT				REAR			
		TOKICO NO. OIL	GAS	KEY	OEM NO.	TOKICO NO. OIL	GAS	KEY	OEM NO.

PULSAR/LANGLEY/LIBERTA VILLA/EXA

82/05~86/04	N12	R	●A2032		⊣	54302-01M25 54302-01M26 54302-01M27	54302-01M28 54302-01M56 54302-01M85			E1153	⊥ ⊙	56210-21A27 56210-21A28 56210-31M25 56210-31M26 56210-33M25 56210-33M26	
		L	●A2033		⊣	54303-01M25 54303-01M26 54303-01M27	54303-01M28 54303-01M56 54303-01M85						
84/03~86/05	N12	R	●A2032		⊣	54302-01M25 54302-01M26 54302-01M27	54302-01M28 54302-01M56 54302-01M85			E2777	⊥ ⊙	56210-02A02 56210-02A12	56210-02A25
		L	●A2033		⊣	54303-01M25 54303-01M26 54303-01M27	54303-01M28 54303-01M56 54303-01M85						
86/05~90/09	N13 All (Excl.N13,4WD,Adjustable Type)	R	A1042	B1042	⊣	54302-50A25 54302-58A25	54302-70A25	R	A1040	B1040	⊣	55302-50A25 55302-50A26 55302-58A25	55302-58A26 55302-70A25 55302-70A26
		L	A1043	B1043	⊣	54303-50A25 54303-58A25	54303-70A25	L	A1041	B1041	⊣	55303-50A25 55303-50A26 55303-58A25	55303-58A26 55303-70A25 55303-70A26
86/05~90/09	N13	R	A1042	B1042	⊣	54302-53A25		R	A1040	B1040	⊣	55302-53A25	
		L	A1043	B1043	⊣	54303-53A25		L	A1041	B1041	⊣	55303-53A25	
90/10~94/12	N14(1400,2000 DIESEL)(2WD)	R	A1068	B1068	⊣	54302-52C25 54302-52C26	54302-57C25 54302-62C26	R	A3064	●B3064	⊣	55302-58C25 55302-59C25	55302-60C26 55302-62C26
		L	A1069	B1069	⊣	54303-52C25 54303-52C26	54303-57C25 54303-62C26	L	A3065	●B3065	⊣	55303-58C25 55303-59C25	55303-60C26 55303-62C26
95/01~97/09	N15									U2931 ●U2941	⊣ ⊣	56210-0M825	
90/10~94/12	NB13/NN14(4WD Excl Gti-R)	R	A1101		⊣	54302-60C02 54302-60C27 54302-60Y00 54302-60Y10 54302-60Y25 54302-60Y29	54302-60C12 54302-60C28 54302-60Y02 54302-60Y12 54302-60Y26 54302-60Y85	R	A3064	●B3064	⊣	55302-60C00 55302-60C20 55302-60C26 55302-60C28 55302-60Y00 55302-60Y05 55302-60Y15 55302-60Y24 55302-60Y26 55302-60Y27 55302-60Y28 55302-62Y00 55302-62Y20	55302-60C10 55302-60C24 55302-60C27 55302-60Y00 55302-60Y10 55302-60Y20 55302-60Y25 55302-60Y27 55302-62Y00 55302-62Y26
		L	A1102		⊣	54303-60C02 54303-60C27 54303-60Y00 54303-60Y10 54303-60Y25 54303-60Y29	54303-60C12 54303-60C28 54303-60Y02 54303-60Y12 54303-60Y26 54303-60Y85	L	A3065	●B3065	⊣	55303-60C00 55303-60C20 55303-60C26 55303-60C28 55303-60Y00 55303-60Y05 55303-60Y15 55303-60Y24 55303-60Y26 55303-60Y27 55303-62Y00 55303-62Y26	55303-60C10 55303-60C24 55303-60C27 55303-60Y00 55303-60Y10 55303-60Y20 55303-60Y25 55303-60Y27 55303-62Y00 55303-62Y26
00/07~	N16	R				54302-6N100 54302-6N200 54302-6N1X5 54302-BN425 54302-BN428 54302-BM418	54302-6N125 54302-6N225 54302-6N2X5 54302-BM485 54302-BN424 54302-BN421					56210-4M400 56210-4M425 56210-4Z000 56210-4Z025 56210-4Z600 56210-5M400 56210-8M400	56210-4M405 56210-4M426 56210-4Z005 56210-4Z027 56210-4Z625 56210-5M425 56210-8M600
		L				54303-6N100 54303-6N200 54303-6N1X5 54303-BM485	54303-6N125 54303-6N225 54303-6N2X5 54303-BM418						

MITSUBISHI

NISSAN

NISSAN DIESEL

PERODUA

PROTON

SUBARU

SUZUKI

TOYOTA

○ Eying
⊥ Upper Bolt

⊙ Bushing
⊥ Lower Bolt

⊗ XPin Type Bushing
⊣ Suspension Strut

⊣ Coil Over Type
⊣ Strut Cartridge

NISSAN



YEAR	MODEL (Make-Name)	FRONT				REAR			
		TOKICO NO. OIL	GAS		OEM NO.	TOKICO NO. OIL	GAS		OEM NO.

SERENA

91/06~95/05	C23(BUILT IN JAPAN)Rear Multi Link	R	A2210			54302-5C004 54302-0C025	54302-0C029 54302-0C070	3597			56210-0C721	56210-0C725	
		L	A2211			54303-5C004 54303-0C025	54303-0C029 54303-0C070						
91/06~98/01	KBNC23,KVNC23 4WD	R	A2279			54302-1C170 54302-2C125 54302-1C188 54302-2C100	54302-2C105 54302-1C171 54302-2C126 54302-1C189						
		L	A2280			54303-1C170 54303-2C125 54303-1C188 54303-2C100	54303-2C105 54303-1C171 54303-2C126 54303-1C189						
92/07~96/05	C23(BUILT IN SPAIN)Rear Multi Link					54302-8C801 54302-8C802 54302-8C825 54302-8C826 54302-9C104 54302-9C114 54302-9C125 54302-9C126	54303-8C801 54303-8C802 54303-8C825 54303-8C826 54303-9C104 54303-9C114 54303-9C125 54303-9C126				56210-9C105 56210-9C125 56210-9C126		
92/07~96/05	C23(BUILT IN SPAIN)Rear Rigid Axle					54302-9C004 54302-9C025 54302-9C503 54302-9C504 54302-9C525 54302-9C526	54303-9C004 54303-9C025 54303-9C503 54303-9C504 54303-9C525 54303-9C526	2254		EL2254		56210-7C002 56210-7C025 56210-9C002 56210-9C025 56210-9C026	
05/05~	C25(2000)2WD	R		B2263		54302-1A20A 54302-CY00B 54302-1A20B 54302-1A20C	E4302-1A20C E4302-CY00B E4302-1A20A E4302-CY025						
		L		B2264		54303-1A20A 54303-CY00B 54303-1A20B 54303-1A20C	E4303-1A20C E4303-CY00B E4303-1A20A E4303-CY025						
05/05~	NC25(2500)4WD	R		B2265		54302-CY10B 54302-1A21A 54302-1A21C E4302-CY10B	E4302-1A21A E4302-1A21C						
		L		B2266		54303-CY10B 54303-1A21A 54303-1A21C E4303-CY10B	E4303-1A21A E4303-1A21C						

STANZA/AUSTER/VIOLET

72~76	710 ,711 (Rigid Suspension) (Leaf Spring)		S3003	-----		54302-K0525 54302-K0526 54302-K2325 54302-K2326 54302-N1327 54302-N1328 54302-N7125 54302-N7126 54302-U5125 54302-U5126 54302-U5127	54303-K0525 54303-K0526 54303-K2325 54303-K2326 54303-U5125 54303-U5126 54303-U5127	2206		G2235		56210-K0125	
-------	--	--	-------	-------	--	---	---	------	--	-------	--	-------------	--

Eyeing
 Upper Bolt

Bushing
 Lower Bolt

XPIN Type Bushing
 Suspension Strut

Coil Over Type
 Strut Cartridge

NISSAN



YEAR	MODEL (Make-Name)	FRONT				REAR			
		TOKICO NO. OIL	GAS	⌋	OEM NO.	TOKICO NO. OIL	GAS	⌋	OEM NO.

STANZA/AUSTER/VIOLET(Continued)

72~77/04	P710(SSS),KP710(SSSHardtop)	S3003	-----	⌋	54302-K0525 54302-K0526 54302-K2325 54302-K2326 54302-N1327 54302-N1328 54302-N7125 54302-N7126 54302-U5125 54302-U5126 54302-U5127	54303-K0525 54303-K0526 54303-K2325 54303-K2326 54303-U5125 54303-U5126 54303-U5127		●G3224	⌋ ○	56210-U0127 56210-U0128	
72~77/04	P710 ,711 (IRS Suspension) (Coil Spring)	S3003	-----	⌋	54302-K0525 54302-K0526 54302-K2325 54302-K2326 54302-N1327 54302-N1328 54302-N7125 54302-N7126 54302-U5125 54302-U5126 54302-U5127	54303-K0525 54303-K0526 54303-K2325 54303-K2326 54303-U5125 54303-U5126 54303-U5127		●G2199	⌋ ○	56210-U0125 56210-U0126	
73~77/04	VJ710(Van)	S3003	-----	⌋	54302-N1327 54302-N1328 54302-N7125 54302-N7126	54303-N1327 54303-N1328		●2208	⊗ ○	56210-K3025 56210-U1425 56210-U1426	
76~77/04	710 ,711 (Rigid Suspension) (Leaf Spring)	S3003	-----	⌋	54302-K0525 54302-K0526 54302-K2325 54302-K2326 54302-N1327 54302-N1328 54302-N7125 54302-N7126 54302-U5125 54302-U5126 54302-U5127	54303-K0525 54303-K0526 54303-K2325 54303-K2326 54303-U5125 54303-U5126 54303-U5127		●G2283	⌋ ○	56210-N7125	
77/05~81/06	A10,A11	S3008	●Z3008	⌋	54302-W5025 54302-W5125 54302-W7625	54303-W5025 54303-W5125 54303-W7625		●2293 ●G2293		56210-N8225 56210-W5025 56210-N8226 56210-W5026 56210-W5000	
77/05~81/06	VA10,11(Van)	S3008	●Z3008	⌋	54302-W5025 54302-W5125	54303-W5025 54303-W5125		2518	○ ○	56210-W6525 56210-W6825	
81/06~85/09	T11All(Excl.PT11,KPT11*** GTES)PT11	S3068	●Z3068	⌋	54302-D0125 54302-D0126 54302-D1125 54302-D1127	54303-D0125 54303-D0126 54303-D1125 54303-D1127		S3069 ●Z3069	⌋	55302-D0325 55303-D0325	
85/10~90/04	T12***Vi,Mi,Xi,Si	R	A3037	-----	⊣ ⊣	54302-D4125 54302-D4127	54302-D4128	S1098		⌋	55302-D4026 55303-D4026
		L	A3038	-----	⊣ ⊣	54303-D4125 54303-D4127	54303-D4128				
85/10~90/04	T12(XT Turbo,SUPREMO Turbo) T12(SUPREMO Twincam Turbo)	R	A3037	-----	⊣	54302-D4125		●Z1104		⌋	55302-D4027 55303-D4027 55302-D4126 55303-D4126 55302-D4125 55303-D4125
		L	A3038	-----	⊣	54303-D4125					

SUNNY TRAVELLER/AD WAGON VAN

90/11~99/05	WFY10,VY10(2WD)	R	A1068	B1068	⊣ ⊣	54302-60R00 54302-60R25	54302-69R00 54302-69R25				52610-60R00 52610-69R00 52610-60R25 52610-69R25
		L	A1069	B1069	⊣ ⊣	54303-60R00 54303-60R25	54303-69R00 54303-69R25				52610-63R00 52610-63R25

○ Eyering
⌋ Upper Bolt

⊙ Bushing
⌋ Lower Bolt

⊗ XPin Type Bushing
⊣ Suspension Strut

⊣ Coil Over Type
⌋ Strut Cartridge

TOKICO SHOCK ABSORBERS

NUMERICAL LISTING

NISSAN



YEAR	MODEL (Make-Name)	FRONT					REAR				
		TOKICO NO. OIL	GAS		OEM NO.		TOKICO NO. OIL	GAS		OEM NO.	

SUNNY TRAVELLER/AD WAGON VAN(Continued)

90/11~99/05	VFNY10, VSY10 (4WD)	R	A1101		☒	54302-67R25	54302-73R25				56210-67R25	56210-73R25
						54302-67R00	54302-75R00					
		L	A1102		☒	54303-67R25	54303-73R00					
						54303-67R00	54303-73R25					

SUNNY TRAVELLER/AD WAGON VAN/WINGROAD

99/05~04/04	Y11 2WD ABS Type only	R		B2247	☒	54302-WD285	54302-WD287				56210-WD225	56210-WD227
		L		B2248	☒	54303-WD285	54303-WD287				56210-WD226	
99/05~04/04	Y11 4WD ABS Type only	R		B2245	☒	54302-WD327					56210-WD326	
		L		B2246	☒	54303-WD327						

SUNNY TRUCK

75/10~89/10	B120,121,122,GB120,121,122		S1041	●Z1041	☒	54300-H1025	54302-H7425	2048	E2048	○	56210-G1025	
						54300-H1026	54302-H7426				56210-G1026	
						54302-H5025	54302-H8525					
						54302-H5026						

SUNNY/LAUREL SPIRIT

81/10~85/08	B11 All(Incl. Wagon, Excl. Van)	R	A2040	●B2040	☒	54302-01A25	54302-01A85			E1153	⊥	56210-05A25	
						54302-01A26	54302-01A86				⊙	56210-05A26	
						54302-01A27	54302-01A87					56210-15A25	
						54302-01A28	54302-01A88					56210-15A26	
		L	A2041	●B2041	☒	54303-01A25	54303-01A85					56210-21A25	
						54303-01A26	54303-01A86					56210-21A26	
						54303-01A27	54303-01A87					56210-33M25	
						54303-01A28	54303-01A88					56210-33M26	
85/09~90/09	B12 All(Incl. Wagon, Excl. Van, 4WD, NISMO Version, Adjustable Type), HB12, RHB12	R	A1042	B1042	☒	54302-50A00	54302-70A25	R	A1040	B1040	☒	55302-50A25	55302-70A25
						54302-50A25	54302-53A25					55302-50A26	55302-70A26
						54302-58A25						55302-58A25	55302-53A25
												55302-58A26	
		L	A1043	B1043	☒	54303-50A00	54303-70A25	L	A1041	B1041	☒	55303-50A25	55303-70A25
						54303-50A25	54303-53A25					55303-50A26	55303-70A26
						54303-58A25						55303-58A25	55303-53A25
												55303-58A26	
90/04~94/12	B13(2WD)	R	A1068	B1068	☒	54302-35Y00	54302-54Y26	R	A1066	B1066	☒	55302-54Y25	55302-69Y00
						54302-35Y25	54302-58Y25					55302-56Y25	55302-72Y25
						54302-54Y25	54302-58Y26					55302-58Y25	
		L	A1069	B1069	☒	54303-35Y00	54303-54Y26	L	A1067	B1067	☒	55303-54Y25	55303-69Y00
						54303-35Y25	54303-58Y25					55303-56Y25	55303-72Y25
						54303-54Y25	54303-58Y26					55303-58Y25	
95~99	B14/N15(2WD)	R		B2212	☒	54302-0M725	54302-0M928			U2928	☒	56210-0M025	56210-0M012
		L		B2213	☒	54303-0M725	54303-0M928						
95~99	B14	R	A2216		☒	54302-0M314	54302-0M3X9			U2928	☒	56210-0M011	
		L	A2217		☒	54303-0M314	54303-0M3X9						
95/01~97/07	AB14/AN15(2WD)	R		B2212	☒	54302-0M725	54302-0M928			●U2941	☒	56210-0N620	
		L		B2213	☒	54303-0M725	54303-0M928			U2931	☒		
97/08~00/02	AB14/AN15/AR11(2WD)	R		B2235	☒	54302-1N615	54302-3M310			U2965	☒	56210-2N300	56210-2N325
						54302-1N625	54302-3M326					56210-2N310	56210-2N326
						54302-1N310	54302-3M510					56210-2N320	56210-2N327
						54302-1N325	54302-3M525						
						54302-1N510	54302-3M710						
						54302-1N610	54302-3M715						
						54302-1N626							
		L		B2236	☒	54303-1N615	54303-3M310						
						54303-1N625	54303-3M326						
						54303-1N310	54303-3M510						
						54303-1N325	54303-3M525						
						54303-1N510	54303-3M710						
						54303-1N610	54303-3M725						
						54303-1N626							
98~01/06	B14/N15									U2918	☒	56210-3M025	56210-3M026

○ Eyering
⊥ Upper Bolt

⊙ Bushing
⊥ Lower Bolt

⊗ XPin Type Bushing
☒ Suspension Strut

☒ Coil Over Type
☒ Strut Cartridge

NISSAN



YEAR	MODEL (Make-Name)	FRONT				REAR			
		TOKICO NO. OIL	TOKICO NO. GAS	⚙	OEM NO.	TOKICO NO. OIL	TOKICO NO. GAS	⚙	OEM NO.

SUNNY/PULSAR/DATSUN AD VAN

82/10~92/06	B11 VB11,VHB11,VSB11 TB11(Van)	R	A2040	●B2040	⚙	54302-01A00	54302-01A85	2757	-----	⊗	56210-25A26
		L	A2041	●B2041	⚙	54302-01A25	54302-01A88			T	56210-25A27

SUNNY/SENTRA

70~73	B110	S1041	●Z1041	⚙	54302-H1025 54302-H1026 54302-H1125 54302-H1126 54302-H5025 54302-H5026 54302-H5125 54302-H5126	54303-H1125 54303-H1126 54303-H5125 54303-H5126	●1088	-----	⊥ ⊙	56200-H1001
70~73	B110(Coupe)	S1041	●Z1041	⚙	54302-H1125 54302-H1126 54302-H5125 54302-H5126	54303-H1125 54303-H1126 54303-H5125 54303-H5126	●1031	-----	⊥ ○	56210-H1825
70~82/09	B110,B210,B310,B311,B312	S1041	●Z1041	⚙	54302-H1025 54302-H1026 54302-H5025 54302-H5026 54302-H8525 54302-H8526 54302-H8527 54302-H8528 54302-H8529	54303-H8527 54303-H8529	2048	E2048	○ ○	56210-H1425 56210-H6625 56210-H6626 56210-H9526
71~73	B110(Excellent)	S3002	-----	⚙	54302-H2525 54302-H2526 54302-H2625 54302-H2626	54303-H2625 54303-H2626	●1088	-----	⊥ ⊙	56200-H2825
71~73	B110(Excellent Coupe)	S3002	-----	⚙	54302-H2525 54302-H2526 54302-H2625 54302-H2626	54303-H2625 54303-H2626	●2203	-----	⊥ ○	56210-H2525
73~77/10	B210,211	S1041	●Z1041	⚙	54302-H5026 54302-H5126 54302-H7425 54302-H7426	54303-H5126 54303-H7425 54303-H7426	1112	●G1112	⊥ ⊙	56200-H5025 56200-H7925 56210-H5025
73~77/10	B210,211,B211(Coupe)	S1041	●Z1041	⚙	54302-H5126 54302-H7425 54302-H7426 54302-H7427	54303-H5126	●1113	-----	⊥ ○	56210-H5525 56210-H6325 56210-H6326
73~77/10	B210,B211	S3008	●Z3008	⚙	54302-H5925 54302-H7525	54303-H5925 54303-H7525	1112	●G1112	⊥ ⊙	56210-H5825 56210-H5826 56210-H7925 56210-H7926
73~77/10	B21(EXCELLENT Coupe),B211	S3008	●Z3008	⚙	54302-H5925 56110-H5925	54303-H5925	●1113	●G1113	⊥ ○	56210-H5925 56210-H5926 56210-H7928
77/11~81/09	B310(Excl.GX)	S1041	●Z1041	⚙	54302-H8525 54302-H8526 54302-H8527 54302-H8529	54303-H8527 54303-H8529	1138	●G1138	⊥ ⊙ ⊥ ⊙	56210-H8525 56210-H8925 56210-H8526 56210-H8926
77/11~81/09	B310(1400,1500)	S3037	●Z3037	⚙	54302-H9225 54302-H9025	54303-H9225 54303-H9025	1138	●G1138	⊥ ⊙ ⊥ ⊙	56210-H8525 56210-H8925 56210-H8526 56210-H8926

○ Eying
⊥ Upper Bolt

⊙ Bushing
⊥ Lower Bolt

⊗ XPin Type Bushing
⚙ Suspension Strut

⚙ Coil Over Type
⚙ Strut Cartridge

TOKICO SHOCK ABSORBERS

NUMERICAL LISTING

NISSAN



YEAR	MODEL (Make-Name)	FRONT				REAR			
		TOKICO NO. OIL	GAS		OEM NO.	TOKICO NO. OIL	GAS		OEM NO.

SUNNY/SENTRA/ALMERA

95~99	AB15,AN15				54302-0M325	54303-0M325		U2918		56210-4B000	56210-0M085		
					54302-0M329	54303-0M329				56210-4B025	56210-0M200		
					54302-0M364	54303-0M364				56210-F4303	56210-0M210		
					54302-4B025	54303-4B025				56210-F4325	56210-0M500		
					54302-4B126	54303-4B126				56210-0M012	56210-0M611		
									56210-0M020	56210-0M625			
									56210-0M025	56210-0M626			
									56210-0M026	56210-0N300			
									56210-0M027	56210-0N325			
									56210-0M028				
98/12~03/02	B15 1300,1500	R	B1099		54302-4M486			U2971		56210-4M427			
	ABS Type only	L	B1100		54303-4M486								
95/01~97/07	AB14,AN15(2WD)	R	B2212		54302-0M425	54302-0M426		U2931		56210-0M811	56210-0M825		
					54302-0M465	54302-0M525				56210-0N600	56210-0N620		
					54302-0M526	54302-0M527				56210-0N625	56210-0N626		
					54302-0M528	54302-0M564							
					54302-0M574	54302-0M625							
					54302-0M626	54302-0M627							
					54302-0M664	54302-0M665							
					54302-0M674	54302-0M725							
					54302-0M726	54302-0M727							
					54302-0M728	54302-0M764							
					54302-0M774	54302-0M827							
					54302-0M828	54302-0M865							
					54302-0M875	54302-0M885							
		54302-0M886	54302-0M925										
		54302-0M926	54302-0M927										
		54302-0M928	54302-0M964										
		54302-0M974	54302-0N300										
		54302-0N310	54302-0N325										
		54302-0N326	54302-0N500										
		54302-0N510	54302-0N525										
		54302-0N526	54302-0N601										
		54302-0N611	54302-0N620										
		54302-0N627	54302-0N628										
		54302-0N629											
		L	B2213		54303-0M425	54303-0M426							
					54303-0M465	54303-0M525							
					54303-0M526	54303-0M527							
54303-0M528	54303-0M564												
54303-0M574	54303-0M625												
54303-0M626	54303-0M627												
54303-0M664	54303-0M665												
54303-0M674	54303-0M725												
54303-0M726	54303-0M727												
54303-0M728	54303-0M764												
54303-0M774	54303-0M827												
54303-0M828	54303-0M865												
54303-0M875	54303-0M885												
54303-0M886	54303-0M925												
54303-0M926	54303-0M927												
54303-0M928	54303-0M964												
54303-0M974	54303-0N300												
54303-0N310	54303-0N325												
54303-0N326	54303-0N500												
54303-0N510	54303-0N525												
54303-0N526	54303-0N601												
54303-0N611	54303-0N620												
54303-0N627	54303-0N628												
54303-0N629													

mitsubishi

NISSAN

NISSAN DIESEL

PERODUA

PROTON

SUBARU

SUZUKI

TOYOTA

○ Eying
⊥ Upper Bolt

◎ Bushing
T Lower Bolt

⊗ XPin Type Bushing
⊞ Suspension Strut

⊞ Coil Over Type
⊞ Strut Cartridge

TOKICO SHOCK ABSORBERS

NUMERICAL LISTING

NISSAN



YEAR	MODEL (Make-Name)	FRONT					REAR				
		TOKICO NO.		🔑	OEM NO.		TOKICO NO.		🔑	OEM NO.	
		OIL	GAS				OIL	GAS			

SUNNY/SENTRA/ALMERA(Continued)

97/08~00/02	AB14,AN15,AR11(2WD)	R		B2235	🔑	54302-1N310	54302-1N325			U2965	🔑	56210-2N300	56210-2N310
						54302-1N510	54302-1N525					56210-2N320	56210-2N325
						54302-1N610	54302-1N615					56210-2N326	56210-2N327
						54302-1N625	54302-1N626					56210-3M011	56210-3M012
						54302-3M310	54302-3M326					56210-3M028	56210-3M612
						54302-3M510	54302-3M525					56210-3M625	
						54302-3M710	54302-3M725						
		L		B2236	🔑	54303-1N310	54303-1N325						
						54303-1N510	54303-1N525						
						54303-1N610	54303-1N615						
						54303-1N625	54303-1N626						
						54303-3M310	54303-3M326						
						54303-3M510	54303-3M525						
						54303-3M710	54303-3M725						
98/10~	B15(2WD)1300,1500	R		B1099	🔑	54302-4M405	54302-4M406					56210-4M400	56210-4M405
						54302-4M426	54302-4M486					56210-4M425	56210-4M426
						54302-5M605	54302-5M606					56210-4Z000	56210-4Z005
						54302-5M626	54302-5M686					56210-4Z025	56210-4Z027
		L		B1100	🔑	54303-4M405	54303-4M406					56210-4Z600	56210-4Z625
						54303-4M426	54303-4M486					56210-5M400	56210-5M425
						54303-5M605	54303-5M606					56210-8M400	56210-8M600
						54303-5M626	54303-5M686						
98/10~	B15(2WD)1800	R				54302-4M505	54302-4M526					56210-4M400	56210-4M405
						54302-6M000	54302-6M025					56210-4M425	56210-4M426
						54302-4M506	54302-4M586					56210-4Z000	56210-4Z005
						54302-6M001	54302-6M085					56210-4Z025	56210-4Z027
						54302-5M400	54302-5M425					56210-4Z600	56210-4Z625
						54302-BM425	54302-BM486					56210-5M400	56210-5M425
						54302-BN427	54302-BM400					56210-8M400	56210-8M600
						54302-BM465	54302-BN467						
		L				54303-4M505	54303-4M526						
						54303-6M000	54303-6M025						
						54303-4M506	54303-4M586						
						54303-6M001	54303-6M085						
						54303-BM486	54303-BN427						
						54303-BM465	54303-BN467						
98/10~	B15(2WD)1600	R				54302-6M000	54302-6M001					56210-4M805	56210-4M826
						54302-6M025	54302-6M085						
		L				54303-6M000	54303-6M001						
						54303-6M025	54303-6M085						
00~	B15(2WD,ASEAN Built)	R				54302-4M4C6	54302-8M400						
						54302-8M600							
		L				54303-4M4C6	54303-8M400						
						54303-8M600							
00/01~01/02	N16 1500,1800 3&5Door for Europe	R				54302-5M400	54302-5M425					56210-BM400	56210-BM425
						54302-BM400	54302-BM425						
						54302-BM486							
		L				54303-5M400	54303-5M425						
						54303-BM400	54303-BM425						
						54303-BM486							
01/03~	N16 1500,1800 3&5Door for Europe	R				54302-BM418	54302-BM485					56210-BM400	56210-BM425
						54303-BM418	54303-BM485						
		L											
00/01~00/05	N16 1500,1800,2200Di 4Door for Europe	R				54302-5M400	54302-5M425					56210-4M400	56210-4M405
						54302-BM400	54302-BM425					56210-4M425	56210-4M426
						54302-BM486					56210-4Z000	56210-4Z005	
		L				54303-5M400	54303-5M425					56210-4Z025	56210-4Z027
						54303-BM400	54303-BM425					56210-4Z600	56210-4Z625
						54303-BM486						56210-5M400	56210-5M425
												56210-8M400	56210-8M600

○ Eying
⊥ Upper Bolt

⊙ Bushing
⊥ Lower Bolt

⊗ XPin Type Bushing
⊥ Suspension Strut

⊕ Coil Over Type
⊥ Strut Cartridge

NISSAN



YEAR	MODEL (Make-Name)	FRONT				REAR			
		TOKICO NO. OIL	GAS	⌘	OEM NO.	TOKICO NO. OIL	GAS	⌘	OEM NO.

SUNNY/SENTRA/ALMERA(Continued)

00/06~	N16 1500,1800,2200Di 4Door for Europe	R				54302-6N200	54302-6N225					56210-4M400	56210-4M405	56210-4M426	56210-4Z005	56210-4Z027	56210-4Z600	56210-4Z625	56210-5M400	56210-5M425	56210-8M400	56210-8M600		
		L				54303-6N200	54303-6N225																	
00/01~	N16 2200Di 3&5Door for Europe	R				54302-BN424	54302-BN425								56210-BM410	56210-BM426								
		L				54303-BN424	54303-BN425																	
01~06	B15 N16 for Central and South America market																							
01~06	SE-R V2500 for Central and South America market										U2971	⌘												
01~06	SE-R 2500 HS for Central and South America market										U2971	⌘												
02~05	SE-R 2500 for Central and South America market										U2971	⌘												

TERRANO/PATH FINDER

86/08~	VBYD21(Diesel Van)DX					56110-45G25								56210-45G25										
86/08~	VBYD21(Diesel Van)ST					56110-43G25								56210-43G25										
86/08~	WBYD21(Diesel Wagon)ST					56110-43G25								56210-43G25										
86/08~89/10	WBYD21,WNVD21,VBYD21			E2915	⌘	56110-41G25	56110-45G25	2650	●E2650	○			56210-45G25											
87/10~93	WBYD21,WNVD21,WHYD21, VBYD21(Euro & N.America)		3474	E3474	⌘	56110-46G25	56110-46G60	2650	●E2650	○			56210-45G25	56210-46G25										
					⊙								56210-41G25											

TERRANO II/MISTRAL

93~	R20		3474	E3474	⌘	56110-0F004	56110-0F026			E2861	○		56210-0F028											
					⊙	56110-0F056	56110-0F655					○	56210-0F628											
						56110-0X050	56110-0X450						56210-0X825											
						56110-7F601	56110-0F626						56210-0X925											

VANETTE(SUNNY/CHERRY/DATSUN)/NOMADO

78/10~88/10	C120,C121,C122 e All		2553	●E2553	⊙	56110-G2510	56110-G2527	2554	●E2554	○		56210-G2525												
					○	56110-G2525	56110-G2528					○	56210-G2526											
85/09~90/07	C22,GC22 2WD All (Excl.1800 Turbo)		3384	E3384	⊙	56110-11C26	56110-G5525	2846			⌘	56210-11G25												
					○	56110-11C27	56110-G6125					⊙	56210-G5125											
						56110-G5125							56210-G5126											
85/09~90/07	C22,GC22 2WD All (Excl.1800 Turbo)		3384	E3384	⊙	56110-11C26	56110-G5525	2254			○	56210-G6125												
					○	56110-11C27	56110-G6125					○												
						56110-G5125																		
86/11~93/04	C22,GC, 4WD All			E3636	○	56110-32C25		2048	E2048	○		56210-31C25	56210-32C25											
					○							○												

X-TRAIL

00/10~05	T30	R		B3220	⌘	54302-EQ000	54302-EQ100			R		B3222	⌘	55302-EQ000	55302-EQ100									
						54302-EQ025	54302-EQ125								55302-EQ025	55302-EQ125								
						54302-8H600	54302-8H601							55302-EQ026	55302-8H304									
						54302-8H603	54302-8H625							55302-8H326	55302-8H327									
						54302-8H626	54302-8H627							55302-8H600	55302-8H601									
						54302-8H628	54302-8H700							55302-8H604	55302-8H628									
						54302-8H725								55302-8H629										
		L		B3221	⌘	54303-EQ000	54303-EQ100			L		B3223	⌘	55303-EQ000	55303-EQ100									
						54303-EQ025	54303-EQ125							55303-EQ025	55303-EQ125									
						54303-8H600	54303-8H601							55303-EQ026	55303-8H304									
						54303-8H603	54303-8H625							55303-8H326	55303-8H327									
						54303-8H626	54303-8H627							55303-8H600	55303-8H601									
						54303-8H628	54303-8H700							55303-8H604	55303-8H629									
						54303-8H725																		

○ Eying
⌘ Upper Bolt

⊙ Bushing
⌘ Lower Bolt

⊗ XPin Type Bushing
⌘ Suspension Strut

⌘ Coil Over Type
⌘ Strut Cartridge

MEMO

NISSAN DIESEL

BUS	124
TRUCK	124

NISSAN DIESEL



YEAR	MODEL (Make-Name)	FRONT				REAR			
		TOKICO NO. OIL	GAS	⌚	OEM NO.	TOKICO NO. OIL	GAS	⌚	OEM NO.

BUS

73/03~80/02	U20,30,35(Leaf Spring) (Excl.Low Floor Model)	5024		⌚ ○	56110-90201			5044		⌚ ○	56210-90003
73/03~80/02	U20,35(Leaf Spring) (Low Floor Model)	5029		○ ○	56110-90202			5044		⌚ ○	56210-90003
75/12~80/03	RM90	3257		⌚ ○	56101-Z5000			●4036		⌚ T	56101-Z5002
80/02~	U31(Excl.Low Floor Model) (Leaf Spring)	5024		⌚ ○	56110-90207			5044		⌚ ○	56210-90003
80/02~	U31(Low Floor Model) (Leaf Spring)	●5045		○ ○	56110-90062			5044		⌚ ○	56210-90003
80/02~	U36	●5045		○ ○	56110-90062			5044		⌚ ○	56210-90003
80/09~	RM80(Excl.Low Floor Model)	4008		⌚ ○	56101-Z5004			●4036		⌚ T	56101-Z5002
84/03~	U32(Leaf Spring)(KXR,LXR,NXR)	5024		⌚ ○	56110-90201 56110-90207			5044		⌚ ○	56210-90003
84/03~	U32(Leaf Spring)(KAR,LAR,NAR ●●Excl.Low Damping Force Type)	●5045		○ ○	56110-90062			5044		⌚ ○	56210-90003
84/03~	U32(Leaf Spring)(KAR,LAR,NAR ●●Incl.Low Damping Force Type)				56110-90063			5044		⌚ ○	56210-90003

TRUCK

72~81/01	CD3,4,5,43,51,CF30,45,46,CK10, 20,30,60,CV31,32,40,41,55, CW15,40,50,51,60,CZ50,51, KG45S,TW50,51,53,TF30,TK20	5024		⌚ ○	56101-Z2000 56101-Z2001	56101-Z2002 56101-Z1030					56110-90112
75~83/04	CM80,84,85,90	3257		⌚ ○	56101-Z5000			4035		⌚ T	56101-Z5001
77/05~79/02	CK40,50	5024		⌚ ○	56101-Z1030			5024		⌚ ○	56110-Z2000
77/05~79/02	CK60	5024		⌚ ○	56101-Z1030			-----			56110-Z0000
79/10~90	CD45(Chassis No~011497),52 CK31(Chassis No~010324),45, 50,60,CW45(~Chassis No ~14999),51,52(Excl.Double Acting)60,61,66	5044		⌚ ○	56101-Z2004						56210-Z0000
83/05~	CD45(Chassis No0114984~), 46,53,54,CW45(Chassis No 1500~),46,53,54,66	5051		⌚ ○	56101-Z2006	56101-Z2005					
83/05~87/01	CM86(HIGHWAY TYPE) CM86(DOUBLE ACTING)				56101-Z5007	56101-Z5009		4035		⌚ T	56101-Z5001
79/10~	CW52(Double Acting)	5051		⌚ ○	56101-Z2005						
79/10~	CK31(Chassis No010325-)	5051		⌚ ○	56101-Z2006						
83/05~87/01	CM86(Excl.HIGHWAY TYPE, DOUBLE ACTING),CM87	3470		⌚ ○	56101-Z5008			4035		⌚ T	56101-Z5001
84/01~	KK31H,KW30,31	5024		⌚ ○	56101-Z2000						

○ Eyering
⌚ Upper Bolt

⊙ Bushing
T Lower Bolt

⊗ XPin Type Bushing
⊞ Suspension Strut

⊞ Coil Over Type
⌚ Strut Cartridge

MITSUBISHI
NISSAN
NISSAN DIESEL
PERODUA
PROTON
SUBARU
SUZUKI
TOYOTA

PERODUA

KANCIL.....126

PERODUA



YEAR	MODEL (Make-Name)	FRONT				REAR			
		TOKICO NO. OIL	GAS		OEM NO.	TOKICO NO. OIL	GAS		OEM NO.

KANCIL

	KANCIL					1213			48531-87201	48531-87257
--	--------	--	--	--	--	------	--	--	-------------	-------------

MITSUBISHI

NISSAN

NISSAN DIESEL

PERODUA

PROTON

SUBARU

SUZUKI

TOYOTA

PROTON

MPI	128
PERSONA	128
SAGA	128
SATRIA(300/400)	128
SATRIA(300/400/COUPE)	128
SATRIA(400)	128
WIRA	128

PROTON



YEAR	MODEL (Make-Name)	FRONT				REAR			
		TOKICO NO. OIL	GAS	⌘	OEM NO.	TOKICO NO. OIL	GAS	⌘	OEM NO.

PERSONA/SATRIA(300/400/COUPE)

95/12~	C95,C98,C99						Q2957		⌘	MB809270	MB871322
										MB809271	PW531064
										MB871321	

SAGA/MPI

85~96	C2#	A2078	B2078	⌘	MB349835	MB518835	2770	E2770	⊙	MB338847	MB515630
									⊙		

WIRA/PERSONA/SATRIA(300/400)

95/12~	C96,C97	R	B2221	⌘	PW530076	PW530080	Q2957		⌘	MB809270	MB871322
					PW530078	PW530082					
		L	B2222	⌘	PW530075	PW530079					
					PW530077	PW530081				MB809271	PW531064
										MB871321	

WIRA/PERSONA/SATRIA(400)

93~95	C96,C97						Q2957		⌘	MB809270	MB871322
										MB809271	PW531064
										MB871321	

MITSUBISHI

NISSAN

NISSAN DIESEL

PERODUA

PROTON

SUBARU

SUZUKI

TOYOTA

○ Eying
⊥ Upper Bolt

⊙ Bushing
⊥ Lower Bolt

⊗ XPin Type Bushing
⌘ Suspension Strut

⌘ Coil Over Type
⊥ Strut Cartridge

SUBARU

IMPREZA	130
JUSTY,J SERIES	130
SUBARU E (DOMINGO).....	130
SUBARU1300/1600/1800(L)	130
SUBARU1300/1600/1800(RHD)	130-131
SUBARU1600/1800(LHD)	131

SUBARU



YEAR	MODEL (Make-Name)	FRONT				REAR			
		TOKICO NO. OIL	TOKICO NO. GAS		OEM NO.	TOKICO NO. OIL	TOKICO NO. GAS		OEM NO.

IMPREZA

92/11~95/09	S.(EJ16E+EJ18E)+W.EJ18E.N/S				20310-FA400	20310-FA410			20360-FA080	20360-FA090
92/11~93/09	S.WRX				20310-FA800	20310-FA810			20360-FA140	20360-FA150
92/11~94/08	S.2W(CF+CS+CX+HX)				20310-FA000	20310-FA010			20360-FA000	20360-FA010
92/11~94/08	S.WRXRA				20310-FA820	20310-FA830			20360-FA220	20360-FA230
92/11~95/09	W.2W.EJ16E								20360-FA040	20360-FA050
93/10~94/08	S.WRX.AT+W.WRX#				20310-FA840	20310-FA850			20360-FA240	20360-FA250
93/10~94/08	S.WRX.MT				20310-FA800	20310-FA810			20360-FA140	20360-FA150
94/09~95/09	S.WRX				20310-FA800	20310-FA810			20360-FA140	20360-FA150
94/09~95/09	W.WRX				20310-FA840	20310-FA850			20360-FA240	20360-FA250
94/09~97/08	S.(WRXRA+WRXRASTI)				20310-FA820	20310-FA830			20360-FA220	20360-FA230
95/02~95/09	S.2W+2C.2W								20360-FA001	20360-FA011
95/02~95/09	S.4W.(CF+CS)+S.HX+W.4W. CS+W.HX#+2C.4W								20360-FA081	20360-FA091
95/10~96/08	S.(WRX+WRXSTI)+W.(WRX+GET)				20310-FA842	20310-FA852			20360-FA242	20360-FA252
95/10~on	S.4W.(CF+CS)+S.HX+W.4W. CS+W.HX#+2C.4W				20310-FA220	20310-FA230			20360-FA082	20360-FA092
95/10~on	S.2W+W.2W+2C.2W				20310-FA200	20310-FA210			20360-FA021	20360-FA031
96/03~96/08	W.HX2S				20310-FA842	20310-FA852			20360-FA242	20360-FA252
96/09~97/08	W.WRX#								20360-FA240	20360-FA250
96/09~on	S.(WRXRA+WRXRASTI)+2C. WRXRASTI				20310-FA600	20310-FA610			20360-FA650	20360-FA660

JUSTY,J SERIES

96~	HSJ/N56(4WD)chassis No. TSM##	R	A2158	B2158		41601-70C10	41601-70C21	A2237		41800-72C50
		L	A2159	B2159		41602-70C10	41602-70C21			

SUBARU E (DOMINGO)

84/08~	GEN,2WD		A2067	-----		7210-32710				7210-07030
84/08~	GEN,4WD		●A2068	●B2068		7210-32730				7210-07030
84/08~	EUR.2WD•DX		A2067	-----		7210-32710				7210-07030
84/08~	EUR.2WD•SDX			-----		7210-09460		E2732		7210-22720
84/08~91/07	EUR.4WD•DX		●A2068	●B2068		7210-32730				7210-07030
84/08~91/07	EUR.4WD•SDX			●B2068		7210-09470		E2732		7210-22720
								●E2897		7210-07950
94/06~98/11	69D							1212		20360-TA501

SUBARU1300/1600/1800(L)

84/08~	4-Door SED 1.6 & 1.8(AT & MT)	R	●A2102	-----		21032-GA451		U3389		21007-GA091	21007-GA092
		L	●A2103	-----		21032-GA461					
84/08~	Station Wagon 1.3 & 1.6	R	●A2102	-----		21009-GA101				21081-GA001	21081-GA011
		L	●A2103	-----		21009-GA111					
84/08~	Station Wagon D/R(Excl.ps)	R	●A2106			21009-GA241		U3390		21007-GA170	21007-GA171
		L	●A2107			21009-GA251					
84/08~	Station Wagon TW(D/R & 4WDAT)					21009-GA281	21009-GA291	U3389		21007-GA470	21007-GA391

SUBARU1300/1600/1800(RHD)

80/09~	2-Door(HB)		●A2031			7210-32110		E2746		7210-22060	7210-22310
80/09~	4-Door SED DL, GLF		●A2031			7210-32110				7210-22200	
80/09~	4-Door SED DL, GLF Hardtop•GLF, Station Wagon 2WD		S1066			7210-32080	7210-32130	E2746		7210-22200	7210-22040
80/09~	4-Door SED 4WD					7210-32061		-----	E2746		7210-22010
80/09~	4-Door SED 4WD					7210-32061		E2746		7210-22190	
81/02~	4-Door SED 4WD					7210-32061				7210-22320	
80/09~	Station Wagon 2WD					7210-32061		E2746		7210-22110	7210-22220

○ Eyering
⊥ Upper Bolt

◎ Bushing
⊥ Lower Bolt

⊗ XPin Type Bushing
⊥ Suspension Strut

⊥ Coil Over Type
⊥ Strut Cartridge

SUBARU



YEAR	MODEL (Make-Name)	FRONT				REAR			
		TOKICO NO. OIL	GAS	⌘	OEM NO.	TOKICO NO. OIL	GAS	⌘	OEM NO.

SUBARU1600/1800(LHD)

83~84/08	2-Door STD,DL,GL SRX(2WD) (HB) 4-Door SED STD,DL,GLF(2WD)	●A2031		⌘	7210-32111			E2746	⊗ ⊙	7210-22310	7210-22980
83~84/08	4-Door SED STD,DL,GLF(2WD)				7210-32131			E2746	⊗ ⊙	7210-22310	7210-22980
83~94	Multi-Purpose Vehicle 2WD				7210-32241			E2746	⊗ ⊙	7210-22340	
83~94	Multi-Purpose Vehicle 4WD	●A2094	●B2094	⌘	7210-32064			E2746	⊗ ⊙	7210-22180	
83~84/08	Station Wagon DL,GLF(2WD)	●A2101	-----	⌘	7210-32081			E2746	⊗ ⊙	7210-22210	
83~84/08	Station Wagon DL,GLF(2WD)	●A2031		⌘	7210-32251					7210-07040	

MITSUBISHI

NISSAN

NISSAN DIESEL

PERODUA

PROTON

SUBARU

SUZUKI

TOYOTA

○ Eying
⊥ Upper Bolt

⊙ Bushing
⌘ Lower Bolt

⊗ XPin Type Bushing
⌘ Suspension Strut

⌘ Coil Over Type
⌘ Strut Cartridge

MEMO

SUZUKI

ALTO	134
APV	134
CARRY	134-135
CERVO	135
CHEVROLET CRUZE	135
CULTUS	135
CULTUS CLESENT	136
ESCUDO	136
EVERY	135
FRONTE	136
FUTURA	136
GRAND ESCUDO	136
GRAND VITARA XL-7	136
IGNIS	135
JIMNY	136
MIGHTY BOY	136
RB413	137
SE416	136
SH410	134
SQ416	136
SQ420	136
SQ425	136
SR410	137
SR412	137
SV420	136
SV620	136
SWIFT	137
VITARA	136
WAGON R	137
WAGON R PLUS	137
X90	136

TOKICO SHOCK ABSORBERS

NUMERICAL LISTING

SUZUKI



YEAR	MODEL (Make-Name)	FRONT				REAR			
		TOKICO NO. OIL	GAS	⌘	OEM NO.	TOKICO NO. OIL	GAS	⌘	OEM NO.

ALTO/SH410

83/07~84/08	SS30V,40V				41601-78010	41602-78010		1148		⊙	41800-78041	
83/10~86/06	SS41V,CA71V				41601-78531	41602-78531		1169		⊙	41800-78511	41800-84010
85/09~	CA71V(S Turbo),CA71V(B,U,D), CA72V(N,G),CA72V(S,SX,RS)				41601-84022	41602-84022		1169		⊙	41800-84110	41800-84040
86/07~	CC72V(4WD***D,SX,RS),CC72V (4WD***G),CC72V(4WD RS R Twincam Turbo),CC72V (4WD SX Turbo,RS-Twincam)				41601-54A20	41602-54A20		1182		⊙	41800-51A00	41800-52A00
87/08~	CA72V(Twincam Turbo RS-S, RS-X)				41601-54A10	41602-54A10		1169		⊙	41800-84040	41800-84340
86/07~87/12	CA/B71CA/B72,CA/B91 Rear coil spring	R	A1081	⌘	41601-84312			1169		⊙	41800-78511	41800-84410
		L	A1082	⌘	41602-84312					⊙	41800-84010	41800-84310
88~92	CA/B71,CA/B72,CA/B91 Rear coil spring	R	A1081	⌘	41601-84312			●1189			41800-50E10	41800-71B02
		L	A1082	⌘	41602-84312						41800-53A00	41800-71B50
93~	F8B	R			09060-1500073							
		L			09060-1500059							
94~98	MA3EFA/B11S	R			41601-52E50	51601-70B60					41800-70F00	
		L			41601-70BH0	41601-M70F00						
98/08~	HA11/12/22	R			41602-52E50	41602-70B60						
		L			41602-70BH0	41602-M70F00						
		R			41601-76G00	41601-76G01			E1182	⊙	41800-76G00	41800-77G00
		L			41601-76G50	41601-76G51				⊙	41800-78G00	
					41601-77G00	41601-78G00						
					41601-78G50							
					41602-76G00	41602-76G01						
					41602-76G50	41602-76G51						
					41602-77G00	41602-78G00						
					41602-78G50							

APV

04~					41601-61J00	41602-61J00		20004		⊙	41700-61J10	
-----	--	--	--	--	-------------	-------------	--	-------	--	---	-------------	--

CARRY

72~76	L50,L51	●S1034		⌘	41601-67010			1068		○	41700-61010	
76/05~76/09	ST10							1068		○	41700-61010	
76/09~79/04	ST20 (Incl.Van)	●S1054	-----	⌘	41601-72010	41602-72010		1068		○	41700-61010	
79/05~81/05	ST30V	S1080		⌘	41601-79010	41602-79010		1160		○	41700-79510	
79/05~81/05	ST30	S1080		⌘	41601-79010	41602-79010		1068		○	41700-61010	
81/06~85/03	ST30(~Chassis No427000) ST40(~Chassis No230000) ST90	S1096		⌘	41601-79030	41602-79030		1068		○	41700-61010	
81/06~85/03	ST40V(~Chassis No893000) ST30V ST90V	S1096		⌘	41601-79031	41602-79031		1160		○	41700-79510	
81/06~85/03	ST30/40/90	S1080		⌘	41601-79040	41602-79040		1068		○	41700-61010	41700-85010
					41601-79041	41602-79041				○		
					41601-79050	41602-79050				○		

○ Eyering
⌘ Upper Bolt

⊙ Bushing
⌘ Lower Bolt

⊗ XPin Type Bushing
⌘ Suspension Strut

⌘ Coil Over Type
⌘ Strut Cartridge

SUZUKI



YEAR	MODEL (Make-Name)	FRONT				REAR			
		TOKICO NO. OIL	GAS	⌘	OEM NO.	TOKICO NO. OIL	GAS	⌘	OEM NO.
CARRY(Continued)									
81/08~85/03	ST31V,41V	*			41601-79430 41602-79030 41601-79431 41602-79031			○	41700-79510
81/08~85/03	ST31,41	*			41601-79430 41602-79030 41601-79431 41602-79031			○	41700-61010
84~88	ST-100	S1117		⌘	41601-77310-L000 41601-77310 41602-77310			⊙	41700-77320-L000 41700-61010
84/01~85/03	ST30(Chassis No427001~), ST40(Chassis No230001~)	*			41601-79022 41602-79022			○	41700-61010
84/01~85/03	ST40V(Chassis No893001~)	*			41601-79022 41602-79022			○	41700-79510

*is non-detachable strut,it is not available.

CARRY/EVERY

85/03~	DA71V,DB71T,V				41601-85000 41602-85000 41601-85001 41602-85001 41601-85400 41602-85400 41601-85410 41602-85410 41601-85411 41602-85411		1195 ●E1195	⊙ ○	41700-65C00 41700-85510
85/03~	DA71T,DA81T				41601-85000 41602-85000 41601-85001 41602-85001		1194 -----	○ ○	41700-85010

CERVO

82/05~	SS40C All(Excl.CS-G,CT Turbo, CT-G Turbo)				41601-78010 41602-78010		1148	⊙ ○	41800-78041
83/05~	SS40C(CS-G,CT Turbo,CT-G Turbo)				41601-78410 41602-78410		1148	⊙ ○	41800-78041

CHEVROLET CRUZE/IGNIS

00/10~	HR51/HV51/HX51(RG413) 1.3,2WD								41800-80G00 41800-80G10 41800-80G11
00/10~	HR51/HV51/HX51(RG413) 1.3,4WD								41800-80GA0 41800-80GA1 41800-80GB0 41800-80GB1

CULTUS

83/10~86/10	AA41S,All Chassis No100001~ 113348~,AA41V,AB41S,51S	R	●A1044 ●B1044	⌘	41601-82010 41601-82110 41601-82020		1163 -----	⊙ ○	41800-82030 41800-82111
		L	●A1045 ●B1045	⌘	41602-82010 41602-82110 41602-82020				
86/06~89	AA43S(Turbo),AA33S,AB33S AA43S(Excl.Turbo),AB43S, AA53S,AB53S(MR,GR),AA43V	R	A1060 ●B1060	⌘	41601-86070 41601-86040 41601-86060		1175 ●E1175	⌘ ⊙	41810-86070 41810-86080 41810-86060
		L	A1061 ●B1061	⌘	41602-86070 41602-86040 41602-86060				
88/09~92	AA34S(Twincam GT-1)	R	A2158 B2158	⌘	41601-60B10 41601-70C21 41601-64B10 41601-71C00 41601-70C10		A1078 ●B1078	⌘	41800-60B10 41800-64B10 41800-60B20 41800-64B30 41800-60B50 41800-60B60
		L	A2159 B2159	⌘	41602-60B10 41602-70C21 41602-64B10 41602-71C00 41602-70C10				
88/09~90	AA34(SF413),AF/H35(SF413), AH/J14(SF416)	R	●A2160	⌘	41601-63B11 41601-63B21		A2237	⌘	41800-72C50
		L	●A2161	⌘	41602-63B11 41602-63B21				
91~92/06	AA/B44(SF310),AF/H/ K35(SF413),AH/J14(SF416)	R	A2158 B2158	⌘	41601-70C10 41601-80E00 41601-70C21		A2237	⌘	41800-72C50
		L	A2159 B2159	⌘	41602-70C10 41602-80E00 41602-70C21				

○ Eying
⌘ Upper Bolt

⊙ Bushing
⌘ Lower Bolt

⊗ XPin Type Bushing
⌘ Suspension Strut

⌘ Coil Over Type
⌘ Strut Cartridge

SUZUKI



YEAR	MODEL (Make-Name)	FRONT					REAR				
		TOKICO NO. OIL	GAS		OEM NO.		TOKICO NO. OIL	GAS		OEM NO.	

CULTUS CLESENT

95~01/11	SY41,GA(1.3/1.5/1.6/1.8 2WD, 1.6 4WD)	R				41601-60G10	41601-60G13	R				41801-60G30	41801-60G31
						41601-60G14	41601-60G50					41801-61G10	41801-63G60
						41601-60G51	41601-60G52					41801-64G30	
						41601-60G60	41601-60G61						
						41601-60G62							
		L				41602-60G10	41602-60G13	L				41802-60G30	41802-60G31
						41602-60G14	41602-60G50					41802-61G10	41802-63G60
						41602-60G51	41602-60G52					41802-64G30	
						41602-60G60	41602-60G61						
						41602-60G62							
01/11~	SY41,GA(1.3/1.5/1.6/1.8 2WD, 1.6 4WD)	R				41601-60G53	41601-60G63	R				41801-60G31	41801-61G10
		L				41602-60G53	41602-60G63	L				41802-60G31	41802-61G10
												41802-63G60	41802-64G30

ESCUDO/VITARA/SE416/SV420/SV620/X90/SQ416/SQ420/SQ425

89~95	TA01,02,TD01,02	R	A3086	B3086	⊕	41601-60A00		●2871 2872	●E2871 ●E2872		⊥	41700-60A10	41700-60A11
		L	A3087	B3087	⊕	41602-60A00			E2916		⊙	41700-60AB1	41700-60A00
											⊥	41700-60AA0	41700-60A01
											⊙	41700-56B00	41700-60AA1
96~	TA01,02,TD01,02,11,TD31,32					41601-77E10	41602-77E10			E2916	⊥	41700-77E00	
						41601-79E20	41602-79E20				⊙		
						41601-85CB0	41602-85CB0						
98~	TA01,02,TA51,TL52,TD31,32, TD61,62	R				41601-65D00	41601-65D10			E2916	⊥	41700-65D00	41700-65D01
						41601-67D00	41601-68D00				⊙	41700-67D00	41700-67D01
		L				41602-65D00	41602-65D10						
						41602-67D00	41602-68D00						

FRONTE

79/05~84/09	SS30,40 All					41601-78010	41602-78010		1148		⊙	41800-78040	41800-78041
											○		
84/09~86/07	CB71S					41601-84010	41602-84010		1169		⊙	41800-84010	
											⊙		

FUTURA

91~			S1118		⊕	41601-77511-L000	41601-77510		1218		⊙	41700-77500-L000	41700-77500
						41602-77510					○		

GRAND VITARA XL-7/GRAND ESCUDO

00/11~05/05	TX92W (2700 4WD)	R				41601-65D00	41601-67D00			E2998	⊥	41700-52D01	
		L				41602-65D00	41602-67D00				⊙		

JIMNY

71~81	LJ20,SJ10/SJ20		2154	E2154	⊥	41600-63011			2254	●EL2254	○	41700-63011	41700-73010
						○						○	
77/08~81	SJ20,SJ10		2154	E2154	⊥	41600-63011			2548		⊥	41700-73010	
						○					○		
81/05~	SJ30,SJ40,JA51C,V,W,JA71C, V,SJ413,ST410,JA7		2154	E2154	⊥	41600-80000	41600-80001		2697	E2697	○	41700-80000	41700-80001
						○					○		
	Steering Damper		SD1154		○	48730-63241	48730-63990						
					⊙								
	Steering Damper		SD1002		○	48730-80000	48730-80011						
					⊙	48730-80010							
	Steering Damper		SD1003		○	48730-79000							
					⊙								

MIGHTY BOY

83/02~	SS40T All(Excl.PS-L,QL)					41601-78010	41602-78010		1148		⊙	41800-78041	
											○		
85/01~	SS40T(PS-L,QL)					41600-78410			1148		⊙	41800-78041	
											○		

○ Eyering
⊥ Upper Bolt

⊙ Bushing
⊥ Lower Bolt

⊗ XPin Type Bushing
⊕ Suspension Strut

⊕ Coil Over Type
⊔ Strut Cartridge

SUZUKI



YEAR	MODEL (Make-Name)	FRONT				REAR			
		TOKICO NO. OIL	GAS		OEM NO.	TOKICO NO. OIL	GAS		OEM NO.

SR410/SR412/WAGON R

96/07~	CT21S,MA61,MA/B81 incl.ABS	R	A1097		41601-74F10	41601-75F10	1182		41800-95F10			
					41601-74F20	41601-75F40				41800-75F11		
					41601-74F30	41601-75F50						
		L	A1098		41602-74F10	41602-75F10						
					41602-74F20	41602-75F40						
					41602-74F30	41602-75F50						

SWIFT

04/09~	DBA-ZC11S,ZC21S,ZC71S (2WD)	R	B2257		41068-63J14	41601-63J12			41800-63J02
		L	B2258		41069-63J14	41602-63J12			
04/09~	DBA-ZD11S,ZD21S(4WD)	R	B2259		41068-63J62	41601-63J64			41800-63J52
		L	B2260		41069-63J62	41602-63J64			

WAGON R PLUS/RB413

00/06~	MA53(1.3)	R			41601-83E60				41800-83E10	41800-83E11
		L			41602-83E60					

MITSUBISHI

NISSAN

NISSAN DIESEL

PERODUA

PROTON

SUBARU

SUZUKI

TOYOTA

○ Eyering
⊥ Upper Bolt

◎ Bushing
T Lower Bolt

⊗ XPin Type Bushing
⊞ Suspension Strut

⊝ Coil Over Type
⊞ Strut Cartridge

MEMO

TOYOTA

4-RUNNER	166
ALLION	171
ALTIS(ASIA/INDIA)	150-151
AURIS	140
AVALON	142-144
AVANZA	140
AVENSIS	140
AVENSIS VERSO	167
bB	140
BLIZZARD	140
BUS	176
CALDINA	155-156
CAMRY	141-144
CAMRY (FF)	140-141
CAMRY GRACIA	141-142
CARINA	144
CARINA ED	144
CARINA Σ	156-157
CARINA(FF)	145
CELICA	145-146
CELICA CAMRY	146
CHASER	157-158
COASTER	146
COMMUTER	147
COROLLA	147-152
COROLLA LEVIN	149-150
COROLLA VERSO	152
COROLLA II	174-175
CORONA	140,152-157
CORONA(FF)	154
CORONA(FF)COUPE	155
CORSA	174-175
CRESSIDA	157-158
CRESTA	157-158
CROWN	158-159
CROWN COMFORT(TAXI)	159
DYNA	160-162
ECHO	178
FORTUNER	166-167
FUN CARGO	177
HARRIER	162
HI ACE(Incl.VAN,WAGON,COMMUTER)	162-164
HIGHLANDER	164
HILUX	164-166
HILUX SURF	166
HILUX VIGO	166-167
IPSUM	167
IST	167
KIJANG	167
KIJANG CAPSUL	167
KIJANG GRAND EXTRA	167
KIJANG INNOVA	167
KIJANG SUPER	167
KLUGER	164
LAND CRUISER	167-170
LAND CRUISER PRADO	170
LEXUS	171
LEXUS ES300(WINDOM)	142-144
LEXUS(RX300/RX330)	162
LIGHT ACE	171
LIGHT ACE (TRUCK)	176
LIGHT ACE NOAH	175
MARK II	157-158
MASSY DYNA	171
MASTER ACE•SURF	171
OPA	171
PLATZ	178
PREMIO	171
PRIUS	171-172
PUBLICA	172
RAUM	172
RAV-4	172-173
SCEPTER	142-144
SCIONxB	140
SOLUNA VIOS	176-177
SPACIA	175
SPACIO	150
SPRINTER	147-149
SPRINTER CARIB	"150,173"
SPRINTER TRUENO	149-150
STARLET	173-174
STOUT	174
TAMARAW	167
TERCEL	174-175
TOWN ACE	175-176
TOWN ACE NOAH	175
TOYO ACE	160-162,176
TRUCK	176
VIENTA	142-144
VIOS	176-177
VISTA	177
VISTA ARDEO	177
VISTA(FF)	140-141
VITZ	177-178
YARIS	177-178
YARIS VERSO	177

TOYOTA



YEAR	MODEL (Make-Name)	FRONT				REAR			
		TOKICO NO. OIL	GAS	⌘	OEM NO.	TOKICO NO. OIL	GAS	⌘	OEM NO.

AURIS

06/10~	1400,1600 without 2200 Diesel for European Market								
--------	---	--	--	--	--	--	--	--	--

AVANZA

03~					48510-BZ070	48520-BZ070		E2999	48531-BZ090
-----	--	--	--	--	-------------	-------------	--	-------	-------------

AVENSIS/CORONA

97/10~02/12	AT22#,ST22#,AZT22#,CT22#,ZZT22#,CDT22# made IN U.K. for European Market	R			48510-09210	48510-09220	R			48530-09190	48530-09200
					48510-09221	48510-09240				48530-09210	48530-09220
					48510-09250	48510-09420				48530-09340	48530-09491
					48510-09460						
		L			48520-09200	48520-09210	L			48540-09170	48540-09180
					48520-09211	48520-09230				48540-09190	48540-09200
					48520-09240	48520-09360				48540-09351	48540-09361
					48520-09400						

AVENSIS

02/12~	ZZT25# (1600,1800) AZT25# (2000,2400) CDT25# (Diesel) for European Market								
--------	--	--	--	--	--	--	--	--	--

bB/SCIONxB

00/01~05/12	NCP30,31,35			B2298	⌘	48510-52150	48510-52151			48530-52151	48530-52151A
						48510-52152	48510-52160			48530-52151	48530-52151A
						48510-52161	48510-52600			48530-52340A	48530-52340
						48510-52161	48510-52600			48530-52340A	48530-52340
						48510-52935	48510-52936			48530-52340B	48530-52340
						48510-52937	48510-52945			48530-52340B	48530-52340
		48510-52946	48510-52985			48530-52630	48530-52630			48530-52630	48530-52630

BLIZZARD

80/03~84/05	LD10V		2254	●EL2254	○	48510-87603		2048	E2048	○	48530-87603	48530-87602
-------------	-------	--	------	---------	---	-------------	--	------	-------	---	-------------	-------------

CAMRY (FF)/VISTA(FF)

82/03~86/07	SV10,11,12, CV10,11	S3072	●Z3072	⌘	48510-32010	48520-32010	R	●B2042	⌘	48530-32010	48530-32041		
					48510-32030	48520-32030				48530-32040	48530-32H00		
					48510-32050	48520-32050				●B2043	⌘	48540-32010	48540-32041
					48510-32060	48520-32060						48540-32040	48540-32H00
86/08~90/07	SV20,SV21 (Excl.GT),CV20		Z3117	⌘	48510-32080	48520-32080		●Z3119	⌘	48530-32080	48540-32080		
					48510-32081	48520-32081				48530-32180	48540-32180		
86/08~90/07	SV21(GT,Excl.TEMS TYPE) SV22,VZV20(Excl.TEMS TYPE)		Z3117	⌘	48510-32081	48520-32081		Z3118	⌘	48530-32060	48540-32060		
					48510-32090	48520-32090				48530-32070	48540-32070		
					48510-32091	48520-32091				48530-32140	48540-32140		
					48510-32120	48520-32120							
87/04~88/08	VZV20(Excl.TEMS TYPE)		Z3117	⌘	48510-32080	48520-32080				48530-32040	48540-32040		
					48510-32120	48520-32120							
					48510-32121	48520-32121							
88/08~90/07	SV25(4WD)		Z3117	⌘	48510-32131	48520-32131			48530-32200	48540-32200			
90/07~94/06	SV30,SV32,SV33,VZV31		Z3117	⌘	48510-32190	48520-32190		Z3154	⌘	48530-32220	48540-32220		
					48510-32200	48520-32200							
90/07~94/06	CV30(Diesel)		Z3153	⌘	48510-32170	48520-32170		Z3154	⌘	48530-32230	48540-32230		
90/07~94/06	VZV32/33 with 4WS;Four Wheel Steering		Z3117	⌘	48510-32200	48520-32200				48530-32260	48540-32260		
90/07~92/06	SV35(4WD)				48510-32220	48510-39545	R			48530-32280			
					48520-32220	48520-39225	L			48540-32280			
92/07~94/06	SV35(4WD)				48510-32220	48510-39545	R			48530-32290			
					48520-32220	48520-39225	L			48540-32290			

○ Eyering
⌘ Upper Bolt

◎ Bushing
⌘ Lower Bolt

⊗ XPin Type Bushing
⌘ Suspension Strut

⌘ Coil Over Type
⌘ Strut Cartridge

TOYOTA



YEAR	MODEL (Make-Name)	FRONT				REAR			
		TOKICO NO. OIL	GAS	⌚	OEM NO.	TOKICO NO. OIL	GAS	⌚	OEM NO.

CAMRY (FF)/VISTA(FF)(Continued)

94/06~98/06	SV40,SV41,SV42,CV40		Z3153	⌚	48510-39215 48510-39235 48510-39265 48520-39035 48520-39055 48520-39085	48510-39225 48510-39255 48510-39275 48520-39045 48520-39075 48520-39095		Z3154	⌚	48530-39165 48530-39195 48540-39125	48530-39175 48540-39115 48540-39145
94/06~98/06	SV40,SV41,SV42,CV40	R			48510-09060 48510-39255 48510-39275	48510-09070 48510-39265	R	B3181	⌚	48530-06081 48530-06170 48530-09070 48530-33160 48530-39205 48530-39245 48530-39356 48530-39435 48530-39675	48530-06091 48530-07080 48530-33090 48530-33190 48530-38205 48530-39275 48530-39366 48530-39575
		L			48520-09060 48520-39075 48520-39095	48520-09070 48520-37085	L	B3182	⌚	48540-33090 48540-39155 48540-39225 48540-39246 48540-39355	48540-33160 48540-39195 48540-39236 48540-39295 48540-39375
94/06~98/06	C/SV43(4WD)	R			48510-32250 48510-39245	48510-32270 48510-39595	R			48530-32340 48530-39185	48530-32360 48530-39405
		L			48520-32250 48520-39065	48520-32270 48520-39245	L			48540-32340 48540-39135	48540-32350 48540-39285
99~02	SXV20	R	B3184	⌚	48510-80013		R	B3181	⌚	48530-39675	
		L	B3185	⌚	48520-39405		L	B3182	⌚	48540-39375	
02/04~06/07	ACV30 (excluding USA built)	R	B3212	⌚	48510-06320	48510-09630	R	B3214	⌚	48530-06250	48530-09520
		L	B3213	⌚	48520-06320	48520-09530	L	B3215	⌚	48540-06250	48540-09380
06~	XV40(COMFORT) (excluding USA built)	R	B3251	⌚	48510-06451		R	B3253	⌚	48530-06361	
		L	B3252	⌚	48520-06451		L	B3254	⌚	48540-06361	
06~	XV40(SPORT) (excluding USA built)	R	B3255	⌚	48510-06500		R	B3257	⌚	48530-06390	
		L	B3256	⌚	48520-06500		L	B3258	⌚	48540-06440	

CAMRY/CAMRY GRACIA

97/06~99/09	MCV25,SXV25 4WD,SED/Wagon	R			48510-39645	48510-39745	R			48530-32290 48530-32340 48530-32360 48530-33200 48530-33201A 48530-33220B 48530-39405A	48530-32290B 48530-32340B 48530-32360A 48530-33201 48530-33220 48530-39185A 48530-39455
		L			48520-39285	48520-39315	L			48540-32290 48540-32340 48540-32350 48540-33200 48540-33201A 48540-33220B 48540-39285A	48540-32290B 48540-32340B 48540-32350A 48540-33201 48540-33220 48540-39135A 48540-39315

○ Eying
⊥ Upper Bolt

⊙ Bushing
⊥ Lower Bolt

⊗ XPin Type Bushing
⌚ Suspension Strut

⌚ Coil Over Type
⌚ Strut Cartridge

TOYOTA



YEAR	MODEL (Make-Name)	FRONT					REAR				
		TOKICO NO. OIL	GAS	⌘	OEM NO.	TOKICO NO. OIL	GAS	⌘	OEM NO.		

CAMRY/CAMRY GRACIA(Continued)

97~	MCV21/21W,SXV20/20W (USA Built)	R	B3184	⌘	48510-06230	48510-06240	R	B3181	⌘	48530-06081	48530-06091
					48510-0624C	48510-07070				48530-06170	48530-07080
					48510-33250	48510-33280				48530-09070	48530-33090
					48510-33370	48510-39486				48530-33160	48530-33190
					48510-39615	48510-39815				48530-39205	48530-38205
					48510-39825	48510-80013				48530-39245	48530-39275
					48510-A9010	48510-A9020				48530-39356	48530-39366
		48510-AA010	48510-AA020	48530-39435	48530-39575						
				48530-39675							
		L	B3185	⌘	48520-33250	48520-33280	L	B3182	⌘	48540-33090	48540-33160
					48520-39166	48520-39255				48540-39155	48540-39195
					48520-AA020	48520-39365				48540-39225	48540-39236
					48520-39375	48520-A9020				48540-39246	48540-39295
					48520-A9010	48520-AA010				48540-39355	48540-39375
48520-33370	48520-39405				48540-33090						
01/10~03/07	ACV30 2.4L/MCV30 3.0L	R			48510-33402	48510-33412	R			48530-06240	48530-06240C
					48510-33432	48510-80037				48530-06260	48530-06260C
					48510-80146	48510-80147				48530-09M50	48530-33282
					48510-80149	48510-AA040				48530-33292	48530-33302
										48530-80164	48530-80165
										48530-80166	48530-A9120
										48530-A9130	48560-AA040
				48530-AA070							
		L			48520-33402	48520-33412	L			48540-06240	48540-06240C
					48520-33432	48520-39685				48540-06260	48540-06260C
					48520-39695	48520-39715				48540-33282	48540-33292
					48520-AA040					48540-33302	48540-39605
										48540-39615	48540-39625
03/07~06/10	ACV30 2.4L	R			48510-80108	48510-33411	R		48530-39885	48530-33281	
		L			48520-80395	48520-33411	L		48540-39465	48540-33281	
01/09~03/07	ACV35	R			48510-80150	48510-80041	R		48530-39755	48530-33270	
		L			48520-39725	48520-39475	L		48540-39385	48540-33270	
03/07~06/01	ACV35	R			48510-80120	48510-33451	R		48530-80113	48530-33271	
		L			48520-39585		L		48540-39505	48540-33271	
02/09~	AC36V/MCV36 for Australia Market	R			48510-63060	48510-06370	R			48530-06280	48530-06290
					48510-09870	48510-09880				48530-09760	48530-09770
		L			48520-06360	48520-06370	L			48540-06280	48540-06290
					48520-09720	48520-09730				48540-09420	48540-09430
06/01~	ACV40	R			48510-06390	48510-06410	R			48530-06330	48530-06470
					48510-06610	48510-33500				48530-06490	48530-33370
					48510-33510	48510-33530				48530-33380	48530-33430
					48510-33540	48510-80308				48530-80364	48530-89015
					48510-80309	48510-80311				48530-89025	
					48510-80312						
		L			48520-06390	48520-06410	L			48540-06330	48540-06470
					48520-06610	48520-33500				48540-06490	48540-33370
					48520-33510	48520-33530				48540-33380	48540-33430
					48520-33540	48520-80089				48540-39745	48540-39755
					48520-80090	48520-80092				48540-39775	
					48520-80093						
06/08~	ACV40 for Asia Market	R			48510-06450	48510-09N90	R		48530-06360	48530-09L30	
		L			48520-06450	48520-09G40	L		48540-06360	48540-09690	
06/01~	ACV45	R			48510-80310	48510-30560	R		48530-89035	48530-33390	
		L			48520-80091	48520-33560	L		48540-39765	48540-33390	

CAMRY/AVALON/SCEPTER/VIENTA/LEXUS ES300(WINDOW)

91/06~94/08	SXV10,VCV10				48510-33010	48520-33010		Z3154	⌘	48530-39165	48530-39175
					48510-33040	48520-33040				48530-39195	48540-39115
					48510-33060	48520-33060				48540-39125	48540-39145

○ Eying
⊥ Upper Bolt

⊙ Bushing
⊥ Lower Bolt

⊗ XPin Type Bushing
⌘ Suspension Strut

⌘ Coil Over Type
⌘ Strut Cartridge

TOKICO SHOCK ABSORBERS

NUMERICAL LISTING

TOYOTA



YEAR	MODEL (Make-Name)	FRONT				REAR			
		TOKICO NO. OIL	GAS	⌘	OEM NO.	TOKICO NO. OIL	GAS	⌘	OEM NO.

CAMRY/AVALON/SCEPTER/VIENTA/LEXUS ES300(WINDOM)(Continued)

91/06~94/08	SXV10,VCV10	R			48510-06010	R	B3181	⌘	48530-06081 48530-06170 48530-09070 48530-33160 48530-39205 48530-39245 48530-39356 48530-39435 48530-39675	48530-06091 48530-07080 48530-33090 48530-33190 48530-38205 48530-39275 48530-39366 48530-39575	
		L			48520-06010	L	B3182	⌘	48540-33090 48540-39155 48540-39225 48540-39246 48540-39355 48540-33090	48540-33160 48540-39195 48540-39236 48540-39295 48540-39375	
94/08~96/08	SXV10,VCV10	R			48510-09060 48510-39255 48510-39275 48510-09070 48510-39265	R	B3181	⌘	48530-06081 48530-06170 48530-09070 48530-33160 48530-39205 48530-39245 48530-39356 48530-39435 48530-39675	48530-06091 48530-07080 48530-33090 48530-33190 48530-38205 48530-39275 48530-39366 48530-39575	
		L			48520-09060 48520-09070 48520-39075 48520-39085 48520-39095	L	B3182	⌘	48540-33090 48540-39155 48540-39225 48540-39246 48540-39355 48540-33090	48540-33160 48540-39195 48540-39236 48540-39295 48540-39375	
96/08~01/08	MCV20/21,SXV20 3000/2200,Sedan 2WD	R	B3184	⌘	48510-33250 48510-39486 48510-39815 48510-A9010 48510-AA010	48510-33280 48510-39615 48510-39825 48510-A9020 48510-AA020	R	B3181	⌘	48530-06081 48530-06170 48530-09070 48530-33160 48530-39205 48530-39245 48530-39356 48530-39435 48530-39675	48530-06091 48530-07080 48530-33090 48530-33190 48530-38205 48530-39275 48530-39366 48530-39575
		L	B3185	⌘	48520-33250 48520-39166 48520-AA020 48520-39375 48520-A9010 48520-33370	48520-33280 48520-39255 48520-39365 48520-A9020 48520-AA010 48520-39405	L	B3182	⌘	48540-33090 48540-39155 48540-39225 48540-39246 48540-39355 48540-33090	48540-33160 48540-39195 48540-39236 48540-39295 48540-39375
00/04~03/09	MCX10 3600 V6 Sedan	R	B3184	⌘	48510-07070		R	B3181	⌘	48530-07080	
		L	B3185	⌘	48520-07070		L	B3182	⌘	48540-07080	

MITSUBISHI
 NISSAN
 NISSAN DIESEL
 PERODUA
 PROTON
 SUBARU
 SUZUKI
 TOYOTA

○ Eying
 ⊥ Upper Bolt

◎ Bushing
 T Lower Bolt

⊗ XPin Type Bushing
 ⌘ Suspension Strut

⊕ Coil Over Type
 ⊔ Strut Cartridge

TOYOTA



YEAR	MODEL (Make-Name)	FRONT					REAR				
		TOKICO NO. OIL	TOKICO NO. GAS		OEM NO.		TOKICO NO. OIL	TOKICO NO. GAS		OEM NO.	

CAMRY/AVALON/SCEPTER/VIENTA/LEXUS ES300(WINDOM)(Continued)

03/02~	MCV30 3000 (2WD) Electronic Suspension	R				48510-33401	48510-33411	R				48530-33281	48530-33291		
						48510-33421	48510-33431					48530-33301	48530-33340		
						48510-33480	48510-33490					48530-39885			
						48510-80108	48510-80117					48530-80112			
						48510-80118	48510-80119					A094344025			
						48510-80163	48510-80165					48530-80111			
						A094344019						48530-80196			
				L				48520-33401	48520-33411	L				48540-33281	48540-33291
								48520-33421	48520-33431					48540-33301	48540-33340
								48520-33480	48520-33490					48540-39465	
								48520-39545	48520-39565					48540-39495	
								48520-39575	48520-39595					A094344026	
								48520-39735	48520-80013					48540-39485	
								A094344020						48540-39635	

CARINA

70/10~77/08	TA10,12,15,17(DLX,SDX,ST) RA11,13,15,TA12(GT) TA17(SR,GT),TA18,3 (SR)RA17 TA14,18,3 ,RA10,14,16,31 (Excl.SR)	S3007	●Z3007	⏏	48510-14010	48510-14012	●2201	●G2202	⌊ ○ ⌋ ○	48531-19145	48531-19215			
					48510-14011	48510-14013				48531-19235	48531-19175			
					48510-14060	48510-14061				●2265				
					48510-14062	48510-14014								
					48510-14063									
77/08~85/08	TA40,41,42,45,46,47,RA40,45,46 AA60,AA60G,SA60 SED Coupe CA60	S3007	●Z3007	⏏	48510-14090	48510-14102	2497	E2325	⌊ ○ ⌋ ○	48531-19435	48531-19475			
					48510-14091	48510-14103				48531-19445	48531-19485			
					48510-14092	48510-14130				●EL2325	48531-19465	48531-19565		
					48510-14101	48510-14131					48531-14590	48531-19795		
					48510-14160	48520-14020					48531-19875	48531-80001		
81/09~85/07	TA61,63,AA63,RA63	S3042	●Z3042	⏏	48510-14190	48520-14050	2483	●G2321	⌊ ○ ⌋ ○	48531-19716	48531-19845			
			48510-14200	48520-14060	●EL2483	48531-19825				48531-80002				
			48510-20140	48520-20140										
81/09~85/08	TA67V,CA67V	S3007	●Z3007	⏏	48510-14150	48520-14010	2550		⌊ ○	48531-19835				
82/02~85/08	SA60G	S3007	●Z3007	⏏	48510-14150	48520-14010	2727		⌊ ○	48531-19805				
85/08~85/11	SA60G		●Z3121	⏏	48510-20330	48520-20320	2727		⌊ ○	48531-19805				
85/08~85/11	TA67V,CA67V		●Z3121	⏏	48510-20310	48520-20300	2550		⌊ ○	48531-19835				
					48510-20320	48520-20310								
					48510-20330	48520-20320								
85/08~88/04	SA60 SED Coupe,AA60,AA60G		●Z3121	⏏	48510-20320	48520-20310	2497	E2325	⌊ ○ ⌋ ○	48531-20250	48531-80001			
					48510-20310	48520-20300						●EL2325	48531-14590	48531-19875
					48510-20330	48520-20320								

CARINA ED

85/08~87/08	ST160,ST162		Z3097	⏏	48510-20260	48520-20250	R	●B3015	⏏	48530-20130			
										L	●B3016	⏏	48540-20130
87/08~89/08	ST160,162,163,ST162	S3073		⏏	48510-20261	48520-20251	R	B3043	⏏	48530-20131			
										L	B3044	⏏	48540-20131
89/09~91/08	ST182(2000G LIMITED)				48510-20640	48520-20640				48530-20510	48540-20510		
89/09~	ST183(2000G LIMITED)				48510-20640	48520-20640				48530-20530	48540-20530		
89/09~	ST180,181,182(FS,S LIMITED,X)				48510-20630	48520-20630				48530-20510	48540-20510		
89/09~91/08	ST183(FS,S LIMITED,X)				48510-20630	48520-20630				48530-20530	48540-20530		
90/04~91/08	ST183(2000G LIMITED)				48510-20680	48520-20680				48530-20530	48540-20530		
91/09~	ST182,183 DOHC EFI				48510-20680	48520-20680				48530-20640	48540-20640		
93/09~	ST202(G LIMITED)				48510-29235	48520-29075				48530-29305	48540-29305		
93/09~	ST200,201,202,203(FX,S LIMITED)				48510-29245	48520-29085				48530-29285	48540-29015		

○ Eyering
⌊ Upper Bolt

⊙ Bushing
⌋ Lower Bolt

⊗ XPin Type Bushing
⏏ Suspension Strut

⏏ Coil Over Type
⏏ Strut Cartridge

TOKICO SHOCK ABSORBERS

NUMERICAL LISTING

TOYOTA



YEAR	MODEL (Make-Name)	FRONT				REAR			
		TOKICO NO. OIL	GAS	🔑	OEM NO.	TOKICO NO. OIL	GAS	🔑	OEM NO.

CARINA(FF)

84/05~88/04	AT151(SG),AT151(ST)		●Z1097	🔑	48510-20230	48520-20220	R		B2050	🔑	48530-20010	48530-20050
					48510-20360	48520-20350				🔑	48530-20030	48530-20070
84/05~85/04	ST150,CT150	S3073	●Z3073	🔑	48510-20162	48520-20162	R		B2050	🔑	48530-20010	48530-20050
											🔑	48540-20010
84/05~88/04	AT150,AT151(SG)	S1082	Z1082	🔑	48510-12330	48520-12200	R		B2050	🔑	48530-20010	48530-20050
					48510-12420	48520-12290				🔑	48530-20030	48530-20070
85/05~88/04	ST150,CT150		Z3097	🔑	48510-12470	48520-12340	R		B2050	🔑	48530-20010	48530-20050
					48510-12471	48520-12341				🔑	48530-20030	48530-20070
85/08~87/08	AT160,ST162				48510-20380	48520-20370	R		●B3015	🔑	48530-20150	
											●B3016	🔑
87/08~87/12	AT160,ST162				48510-20380	48520-20370	R		B3043	🔑	48530-20131	48530-20161
											B3044	🔑
87/12~88/04	AT160,ST162				48510-20381	48520-20371	R		B3043	🔑	48530-20131	48530-20161
											L	🔑
88/05~	AT170,AT170G				48510-20590	48520-20590					48530-20460	48540-20460
88/05~	AT171(S)				48510-20600	48520-20600					48530-20460	48540-20460
88/05~	AT171(G LIMITED)				48510-20610	48520-20610	R		B3049	🔑	48530-20490	
							L		B3050	🔑	48540-20490	
88/05~	ST170,CT170,ST170G				48510-20610	48520-20610					48530-20460	48540-20460
88/05~	ET176V(Van)				48510-20511	48520-20511					48531-80200	
88/05~	CT176V(Van)				48510-20451	48520-20451					48531-80200	
88/05~92/11	CT176(MT,M,D,X)				48510-20451	48520-20451					48531-80205	
88/05~92/11	ET176(MT,M,D,X)				48510-20511	48520-20511					48531-80205	
88/08~	AT175(4WD)				48510-20262	48520-20262					48530-20450	48540-20450
92/08~	ST195				48510-20740	48520-20740					48530-20860	48540-20860
92/08~	CT190				48510-20820	48520-20820					48530-2B170	48540-2B170
92/08~	ST190(SL)				48510-20820	48520-20820					48530-2B150	48540-2B150
92/08~	CT195				48510-20850	48520-20850					48530-20860	48540-20860
92/08~	AT190,192				48510-20860	48520-20860					48530-2B210	48540-2B210
92/08~	ST190(SE,SE EXT,SX)				48510-20870	48520-20870					48530-2B230	48540-2B230
92/02~96/01	AT190,ST191,CT190 incl.ABS		Z3146	🔑	48510-20170	48520-20710	R		B2200	🔑	48530-20760	
					48510-20760	48520-20760					L	🔑

CELICA

75/10~77/08	RA2 All,TA2 ,TA35,RA35	S3007	●Z3007	🔑	48510-14063	48510-14014		●2265	●G2202	⊥	48531-19175		
77/08~80/07	TA40,45,RA40,RA45 (GT,GTV,GTR) 13inch Tire TA41,42,46,RA40,46(ET,LT,XT, ST,SE) ,TA47 TA45,RA45(13inch Tire), TA41,46,47,RA46,SA60	S3007	●Z3007	🔑	48510-14090	48510-14102		2497	E2325	⊥	48531-19435	48531-19475	
					48510-14091	48510-14103					○	48531-19445	48531-19545
					48510-14092	48510-14130					○	48531-19465	48531-19565
					48510-14101	48510-14131					⊥	48531-19465	48531-19565
					48510-14160	48520-14020					○	48531-19875	
78/04~85/07	TA40,45,RA40,RA45(GT,GTV, GTR) 14inch Tire,MA45,46(XX Model) TA64	S3042	●Z3042	🔑	48510-14122	48520-14050		2497	E2325	⊥	48531-14510	48531-19475	
81/07~85/07	TA61,63,64,RA63,AA63	S3042	●Z3042	🔑	48510-14190	48520-14050		2483	●EL2483	⊥	48531-19716	48531-19845	
					48510-14200	48520-14060					○	48531-19795	48531-80002
					48510-20140	48520-20140					○	48531-19445	48531-19565
											○	48531-19445	48531-19795
81/07~85/12	GA61(XX2000,L,S,G),MA61 (XX2800),MA63(XX2000Turbo) GA61(XX2000,GT)	●S3062 S3113	●Z3062	🔑	48510-14250	48520-14110		2483	●EL2483	⊥	48531-19825		
					48510-24010	48520-24010					○	48531-19845	
					48510-24020	48520-24020							

○ Eyering
⊥ Upper Bolt

◎ Bushing
⊥ Lower Bolt

⊗ XPin Type Bushing
🔑 Suspension Strut

🔑 Coil Over Type
🔑 Strut Cartridge

MITSUBISHI

NISSAN

NISSAN DIESEL

PERODUA

PROTON

SUBARU

SUZUKI

TOYOTA

TOYOTA



YEAR	MODEL (Make-Name)	FRONT				REAR			
		TOKICO NO. OIL	GAS	⌋	OEM NO.	TOKICO NO. OIL	GAS	⌋	OEM NO.

CELICA(Continued)

82/08~83/08	GA61(XX2000,GT)	●S3063	-----	⌋	48510-14230	48520-14090		2483	●EL2483	⌋	48531-19845	
84/01~85/07	SA60	S3007	●Z3007	⌋	48510-14160 48510-20150	48520-14020 48520-20150		2497	E2325 ●EL2325	⌋ ○ ⌋ ○	48531-80001	
85/08~87/08	AT160,ST160,ST162		Z3097	⌋	48510-20260	48520-20250	R		●B3015	⌋	48530-20130	48530-20160
					48510-20261	48520-20251	L				●B3016	⌋
87/08~89/09	AT160,ST160,ST162		Z3097	⌋	48510-20262	48520-20252	R		B3043	⌋	48530-20131	48530-20161
					48510-20282	48520-20272	L				B3044	⌋
87/10~89/09	ST165(4WD)		Z3097	⌋	48510-20392	48520-20382	R		B3043	⌋	48530-20171	48530-20180
							L				B3044	⌋
89/09~93/09	AT180,ST182,ST183				48510-20630	48510-20640	R		B3147	⌋	48530-20510	48530-20530
					48510-20650	48510-20680	L				B3148	⌋
					48520-20630	48520-20640				48540-20510		
					48520-20650	48520-20680					48540-20550	48540-20570
											48540-20640	
											48540-20660	

CELICA CAMRY

80/01~82/02	TA4	S3007	●Z3007	⌋	48510-14091 48510-14092			2497	E2325 ●EL2325	⌋ ○ ⌋ ○	48531-19435	
80/08~82/02	TA57,RA55,56	S3014	●Z3014	⌋	48510-14112 48510-14141			2483	●EL2483	⌋ ○	48531-19715 48531-29375	

COASTER

67~72/01	RU18,JU18	3178	E3178	○	48511-39075			3004		○	48531-69015	
			●EL3178	○						○		
72/02~77/07	RU19,BU19	3178	E3178	○	48511-39075	48511-39076		3141		○	48531-39115	
			●EL3178	○						○		
77/08~82/04	BB1#,RB1#	3068	E3344	○	48511-39235	48511-39236		3141		○	48531-39115	48531-39505
			●EL3344	○						○		
82/05~93/01	BB2#,3#,RB2#,HB3#,HDB3# HZB3#	4047		⌋ ◎	48511-39345 48511-36110	48511-39346		3068	E3344 ●EL3344	○ ○ ○ ○	48531-36100 48531-39505 48531-39525 48531-36090 48531-39496	48531-36110 48531-39506 48531-39526 48531-39495
88/08~92/12	BB24,HB32,HDB20,31,HZB31	4047		⌋ ◎	48511-36110	48511-39345			●EL3344	○ ○	48531-36140 48531-80579	48531-80003
93/01~01/08	BB4#,HZB5#, RZB4#,5#	4047		⌋ ◎	48511-36240 48511-80041	48511-80012					48531-36160 48531-80581	48531-80154
01/08~	BB4#,5#,BZB4#,5#,HZB5#, RZB4#,5#	4047		⌋ ◎	48511-36280 48511-80093	48511-36290 48511-80094					48531-36160 48531-80581	4853180154
04~	RZB53,BB53	4047		⌋ ◎	48511-36110 48511-39345 48511-80084	48511-36240 48511-80041					48531-36200 48531-60340 48531-60340	48531-69295 48531-69296
04~	RZB54,BB54				48511-36270						48531-36200 48531-60340 48531-60340	48531-69295 48531-69296

○ Eying
⌋ Upper Bolt

◎ Bushing
⌋ Lower Bolt

⊗ XPin Type Bushing
⌋ Suspension Strut

⌋ Coil Over Type
⌋ Strut Cartridge

TOKICO SHOCK ABSORBERS

NUMERICAL LISTING

TOYOTA



YEAR	MODEL (Make-Name)	FRONT				REAR			
		TOKICO NO. OIL	GAS	⌚	OEM NO.	TOKICO NO. OIL	GAS	⌚	OEM NO.

COMMUTER

05/01~	KDH2##,LH2##,TRH2##ALL		E3803	⌚	48511-26650	48511-80107		E3804	○	48531-26860	48531-80736
--------	------------------------	--	-------	---	-------------	-------------	--	-------	---	-------------	-------------

COROLLA/SPRINTER

70/05~74/03	KE20,25,TE20,25,TE25X(SR)	S1010	-----	⌚	48510-12020 48510-12030	48510-12040		2207	●G2207	⌚	48531-19105 48531-19108	48531-19205
70/05~74/03	KE26V(Van),KE20,25,TE20,25,TE25X	S1010	-----	⌚	48510-12020			●2193		⌚	48531-19115	
72~74/03	TE27(LEVIN,TRUENO)	S3007	●Z3007	⌚	48510-12050			2207	●G2207	⌚	48531-19225	
74/04~79/02	TE30,31,35,37,4,5,6 (Excl.SR,LEVIN TRUENO,GT,LB) TE50,56,60,66(Excl.SR,LB)	S3014	●Z3014	⌚	48510-12090 48510-12110	48510-12100		2020	●G2299	⌚	48531-19315 48531-19295	48531-19365
74/04~79/02	KE30,35,40,50,60(Excl.SR, LEVIN TRUENO,GT,LB),KE5,6 (Incl.SR,Excl.LEVIN,TRUENO, GT,LB),KE55,65(Incl.SR,Excl.LB)	S1010	-----	⌚	48510-12070	48510-12080		2020	●G2299	⌚	48531-19295 48531-19365	48531-19305
74/04~79/08	KE36V(Van)	S1010	-----	⌚	48510-12070			2256		⌚	48531-19325	
74/04~79/08	TE36V(Van)	S3014	●Z3014	⌚	48510-12090			2256		⌚	48531-19325	
77/01~79/02	TE51,52,56,61,62,66(SR,LEVIN TRUENO,GT),TE5,TE6(LB), TE55,65,TE56(SR),TE66(SR)	S3014	●Z3014	⌚	48510-12090 48510-12100			2550		⌚	48531-19385 48531-19395	
77/03~79/02	KE5,KE6(LB)	S1010	-----	⌚	48510-12070			2550		⌚	48531-19395	
79/03~83/05	KE70,AE70	S1065	Z1065	⌚	48510-12130 48510-12150 48510-12200 48510-12220	48520-12010 48520-12020 48520-12080 48520-12100		2572	E2572 ●EL2572	⌚	48531-19586 48531-19595 48531-19596	48531-19605 48531-19606 48531-19855
79/08~83/08	KE71V,KE72V,74V(Van) KE73G,CE72G(Wagon)	S1065	Z1065	⌚	48510-12130 48510-12200	48520-12010 48520-12080		E2574		⌚	48531-13130 48531-19635	48531-19865 48531-19895
79/08~85/04	KE72V,TE73V,74V,CE71V(Van) KE73G,CE72G(Wagon)	S3014	●Z3014	⌚	48510-12180 48510-12181 48510-12230 48510-12270 48510-12280	48520-12060 48520-12061 48520-12110 48520-12140 48520-12150 48520-12270		E2574		⌚	48531-13130 48531-19635 48531-19865 48531-19895	
79/03~85/04	TE70,71,CE70 AE85(LEVIN,TRUENO)	S3014	●Z3014	⌚	48510-12160 48510-12161 48510-12180 48510-12181 48510-12190 48510-12191 48510-12240 48510-12250 48510-12270 48510-12280 48510-12290	48520-12040 48520-12041 48520-12060 48520-12061 48520-12070 48520-12071 48520-12120 48520-12130 48520-12140 48520-12160		2572	E2572 ●EL2572	⌚	48531-19586 48531-19595 48531-19596 48531-19605 48531-19606 48531-19855 48531-80028	
83/05~84/03	CE80	S3073	●Z3073	⌚	48510-12340	48520-12210	R	B1033	⌚	48530-12040		
							L	B1034	⌚	48540-12040		
83/05~85/04	AE80,81,82	S1082	Z1082	⌚	48510-12300 48510-12330	48520-12170 48520-12200	R	B1033	⌚	48530-12020	48530-12040	
							L	B1034	⌚	48540-12020	48540-12040	
83/05~85/04	AE86(LEVIN,TRUENO)	S3014	●Z3014	⌚	48510-12270 48510-12280 48510-12290	48520-12140 48520-12150 48520-12160			●E2694	⌚	48531-80029 48531-80030	
83/05~	AE85,CE80							2815		⌚	48531-12260	48531-19666
83/05~	AE85,CE80								E2574	⌚	48531-13111	48531-19646
83/08~85/04	CE80	S3073	●Z3073	⌚	48510-20162	48520-20162	R	B1033	⌚	48530-12040		
							L	B1034	⌚	48540-12040		

○ Eyering
⌚ Upper Bolt

⊙ Bushing
⌚ Lower Bolt

⊗ XPin Type Bushing
⌚ Suspension Strut

⌚ Coil Over Type
⌚ Strut Cartridge

MITSUBISHI

NISSAN

NISSAN DIESEL

PERODUA

PROTON

SUBARU

SUZUKI

TOYOTA

TOYOTA



YEAR	MODEL (Make-Name)	FRONT				REAR			
		TOKICO NO. OIL	TOKICO NO. GAS	⌚	OEM NO.	TOKICO NO. OIL	TOKICO NO. GAS	⌚	OEM NO.

COROLLA/SPRINTER(Continued)

85~	CE80			Z3097	⌚	48510-12470							
85~	CE80			Z3097	⌚	48510-12471							
85/05~87/04	AE81(5-door),AE82(Excl.GT)		S1082	Z1082	⌚	48510-12410	48520-12280	R		B1033	⌚	48530-12020	48530-12040
	EE80,AE81(4-door)					48510-12420	48520-12290	L		B1034	⌚	48540-12020	48540-12040
85/05~87/04	AE82(GT)		S3073	●Z3073	⌚	48510-12460	48520-12330			●B1037	⌚	48530-12080	48530-12140
85/05~87/04	AE85(LEVIN,TRUENO)		S3042	●Z3042	⌚	48510-12480	48520-12350			E2572	⌚	48531-12320	
						48510-12490	48520-12360			●EL2572	⌚	48531-80055	
85/05~87/04	AE86(LEVIN,TRUENO)		S3042	●Z3042	⌚	48510-12500	48520-12370			●E2694	⌚	48531-12340	48531-80056
										○	⌚	48531-12360	48531-80057
85/05~87/04	CE80			-----		48510-12440	48520-12310	R		B1033	⌚	48530-12040	
								L		B1034	⌚	48540-12040	
85/05~87/07	KE72V,74V(Van),KE73G,CE72G (Wagon),TE73V,CE71V(Van)		S3042	●Z3042	⌚	48510-12480	48520-12350			E2574	⌚	48531-13130	48531-19865
						48510-12490	48520-12360			○	⌚	48531-13150	
87/05~92/05	AE91(FXZi, Xi)	STRUT ASSY TYPE	R	B3088	⌚	48510-12560		R	A2124	B2124	⌚	48530-12300	48530-12390
			L	B3089	⌚	48520-12430		L	A2125	B2125	⌚	48540-12240	48540-12330
		CARTRIDGE TYPE		Z3101	⌚								
87/05~	AE91(Excl. FXZi,Xi)	STRUT ASSY TYPE	R	B3088	⌚	48510-12520		R		B1064	⌚	48530-12160	
			L	B3089	⌚	48520-12390		L		B1065	⌚	48540-12100	
		CARTRIDGE TYPE		Z1108	⌚								
87/05~92/05	AE91(Excl.FXZi,Xi)			Z3101	⌚	48510-12550	48520-12420	R	A2124	B2124	⌚	48530-12180	48530-12520
								L	A2125	B2125	⌚	48530-12460	
												48540-12120	
87/05~	AE92(Excl. TEMS TYPE)	STRUT ASSY TYPE	R	B3088	⌚	48510-12560						48530-12220	48540-12160
			L	B3089	⌚	48520-12430							
		CARTRIDGE TYPE		Z3101	⌚								
87/05~	AE92	STRUT ASSY TYPE	R	B3088	⌚	48510-12530							
			L	B3089	⌚	48520-12400							
		CARTRIDGE TYPE		Z1108	⌚								
87/05~92/05	AE92		S3120	●Z3120	⌚	48510-12600	48520-12470	R	A2124	B2124	⌚	48530-12280	
								L	A2125	B2125	⌚	48540-12220	
87/05~92/05	CE90	STRUT ASSY TYPE	R	B3088	⌚	48510-12560	48510-12550	R	A2124	B2124	⌚	48530-12220	
			L	B3089	⌚	48520-12430	48520-12420	L	A2125	B2125	⌚	48540-12140	
		CARTRIDGE TYPE		Z3101	⌚								
87/05~	EE90	STRUT ASSY TYPE	R	B3088	⌚	48510-12520		R		B1064	⌚	48530-12160	
			L	B3089	⌚	48520-12390		L		B1065	⌚	48540-12100	
		CARTRIDGE TYPE		Z1108	⌚								
87/05~92/05	EE90,AE91/92,CE90 with Rough Road Package			S3120	⌚	48510-12600	48511-12350	R	A2124	B2124	⌚	48530-12280	
						48511-12420	48520-12470	L	A2125	B2125	⌚	48540-12220	
87/08~	CE96V(Van),CE97G(Wagon)			Z3101	⌚	48510-12550	48520-12420			E2325	⌚	48531-13160	48531-13190
										○	⌚	48531-13170	48531-80071
											⌚	48531-13180	48531-80072
87/08~92/05	AE91G (Wagon)	STRUT ASSY TYPE	R	B3088	⌚	48510-12520		R	A2124	B2124	⌚	48530-12180	
			L	B3089	⌚	48520-12390		L	A2125	B2125	⌚	48540-12120	
		CARTRIDGE TYPE		Z1108	⌚								
87/08~	CE96V(Van)	STRUT ASSY TYPE	R	B3088	⌚	48510-12560				E2325	⌚	48531-13160	48531-13190
	CE97G		L	B3089	⌚	48520-12430					○	48531-13170	48531-80071
	CE97V (Wagon)	CARTRIDGE TYPE		Z3101	⌚							48531-13180	48531-80072
87/08~	EE96V, EE98V***Van	STRUT ASSY TYPE	R	B3088	⌚	48510-12520				E2325	⌚	48531-13160	48531-13190
	EE97G (Wagon)		L	B3089	⌚	48520-12390					○	48531-13170	48531-80071
		CARTRIDGE TYPE		Z1108	⌚							48531-13180	48531-80072
87/10~95/08	AE95(4WD Incl.Van/Wagon)			S3120	⌚	48510-12650	48510-12651			E2572	⌚	48531-12390	48531-12391
						48510-12660	48510-12661				○	48531-12410	48531-12411
						48510-12710	48511-12360					48531-12430	48531-80080
						48511-12370	48511-12380					48531-80085	48531-80090
						48511-12430	48520-12520					48531-80099	48531-80101
						48520-12521	48520-12530						
						48520-12531	48520-12580						

○ Eyering
⌚ Upper Bolt

⊙ Bushing
⌚ Lower Bolt

⊗ XPin Type Bushing
⌚ Suspension Strut

⌚ Coil Over Type
⌚ Strut Cartridge

TOYOTA



YEAR	MODEL (Make-Name)	FRONT						REAR					
		TOKICO NO.		⌘	OEM NO.		TOKICO NO.		⌘	OEM NO.			
		OIL	GAS							OIL	GAS		

COROLLA/SPRINTER(Continued)

91/06~97/04	AE101,CE100,AE101GT	R	A3090	B3090	⌘	48510-1A010 48510-12770	48510-12780 48510-12880	R		B2150	⌘	48530-12580 48530-12590 48530-12670 48530-12680 48530-12710 48530-12730	48530-12780 48530-12810 48530-12820 48530-12830 48530-12840 48530-12850
		L	A3091	B3091	⌘	48520-12650 48520-12750	48520-12770	L		B2151	⌘	48540-12520 48540-12530 48540-12610 48540-12620 48540-12650 48540-12670	48540-12710 48540-12720 48540-12750 48540-12760 48540-12770 48540-12780
91/06~97/04	AE100,EE101	R	A3090	B3090	⌘	48510-12750 48510-12770	48510-12780	R	A1079	B1079	⌘	48530-12550 48530-12560 48530-12640	48530-12650 48530-1A040
		L	A3091	B3091	⌘	48520-12630 48520-12650	48520-12660	L	A1080	B1080	⌘	48540-12490 48540-12500 48540-12580	48540-12590 48540-12860
91/06~00/08	CE106,108,EE106(LPG VAN), EE107,EE108,2WD WAGON,VAN	R	A3090	B3090	⌘	48510-12750 48510-12770	48510-12780 48510-1A010			E2325	⊥ ○	48531-80072 48531-80118	
		L	A3091	B3091	⌘	48520-12630 48520-12650	48520-12660 48520-12770						
97/08~00/08	EE111,AE111/2	R	A3090	B3090	⌘	48510-19715 48510-1A130 48510-1A230 48510-19425	48510-1A100 48510-80003 48510-80007	R		B2150	⌘	48530-13050 48530-1A200 48530-1A310 48530-1A321 48530-80004	48530-80016 48530-80021 48530-80023 48530-80024
		L	A3091	B3091	⌘	48520-12890 48520-1A100 48520-19395 48520-19425	48520-1A070 48520-19595 48520-19615	L		B2151	⌘	48540-13050 48540-1A140 48540-1A250 48540-1A251 48540-1A270	48540-19215 48540-19305 48540-19325 48540-19335
95/05~00/06	EE110/111,AE110/111	R	A3090	B3090	⌘	48510-19425		R	A1079	B1079	⌘	48530-19645	
		L	A3091	B3091	⌘	48520-19145		L	A1080	B1080	⌘	48540-19095	
97/05~00/08	EE111,AE111/112	R	A3090	B3090	⌘	48510-19425 48510-1A100 48510-1A130 48510-1A200 48510-1A230 48510-80003 48510-80006 48510-80007 48510-80008 48510-80009	48510-19715 48510-1A130 48510-1A230 48510-80006 48510-80008	R		B2150	⌘	48530-13050 48530-1A310 48530-1A330 48530-80016 48530-80023	48530-1A200 48530-1A321 48530-80004 48530-80021 48530-80024
		L	A3091	B3091	⌘	48520-12860 48520-1A070 48520-19145 48520-19595 48520-19615 48520-19625 48520-19635	48520-12890 48520-1A100 48520-19395 48520-19605 48520-19625	L		B2151	⌘	48540-13050 48540-1A250 48540-1A270 48540-19295 48540-19325	48540-1A140 48540-1A261 48540-19215 48540-19305 48540-19335

*There are two kinds of shock absorbers.(Strut assy and strut cartridge)Please choose them depending on each type.

COROLLA LEVIN & SPRINTER TRUENO

87/05~	AE91(Zi,Xi)	STRUT ASSY TYPE	R	B3088	⌘	48510-12560				48530-12300	48540-12240
			L	B3089	⌘	48520-12430					
		CARTRIDGE TYPE		Z3101	⌘						
87/05~	AE91(Excl. Zi,Xi)	STRUT ASSY TYPE	R	B3088	⌘	48510-12560				48530-12160	48540-12100
			L	B3089	⌘	48520-12430				48530-12180 48530-12390	48540-12120 48540-12330
		CARTRIDGE TYPE		Z3101	⌘						
87/05~	AE91(Excl. Zi,Xi)	STRUT ASSY TYPE	R	B3088	⌘	48510-12520				48530-12160	48540-12100
			L	B3089	⌘	48520-12390				48530-12180 48530-12390	48540-12120 48540-12330
		CARTRIDGE TYPE		Z1108	⌘						
87/05~	AE92(GTV. GT-Z)	STRUT ASSY TYPE	R	B3088	⌘	48510-12560	48510-12590			48530-12240	48540-12180
			L	B3089	⌘	48520-12430	48520-12460			48530-12260	48540-12200
		CARTRIDGE TYPE		Z3101	⌘				48530-12300	48540-12240	

○ Eying
⊥ Upper Bolt

◎ Bushing
T Lower Bolt

⊗ XPin Type Bushing
⌘ Suspension Strut

⌘ Coil Over Type
⌘ Strut Cartridge

MITSUBISHI

NISSAN

NISSAN DIESEL

PERODUA

PROTON

SUBARU

SUZUKI

TOYOTA

TOYOTA



YEAR	MODEL (Make-Name)	FRONT					REAR				
		TOKICO NO. OIL	GAS		OEM NO.		TOKICO NO. OIL	GAS		OEM NO.	

COROLLA LEVIN & SPRINTER TRUENO(Continued)

88/05~89/05	AE91(XI,ZI), AE92(GT)	STRUT ASSY TYPE	R		B3088	☼	48510-12560					48530-12180	48540-12120	
			L		B3089	☼	48520-12430					48530-12300	48540-12240	
		CARTRIDGE TYPE			Z3101	☼						48530-12301	48540-12241	
												48530-12390	48540-12330	
												48530-12500	48540-12440	
												48530-12520	48540-12460	
87/05~91/06	AE91(L)	STRUT ASSY TYPE	R		B3088	☼	48510-01030	48510-12520	R		B1064	☼	48530-12160	
			L		B3089	☼	48520-01030	48520-12390	L		B1065	☼	48540-12100	
		CARTRIDGE TYPE			Z1108	☼								
89/05~91/06	AE92 (GT-Z)	STRUT ASSY TYPE	R		B3088	☼	48510-12560	48510-12590					48530-12450	48540-12390
			L		B3089	☼	48520-12430	48520-12460						
		CARTRIDGE TYPE			Z3101	☼								
89/05~91/06	AE91(XS, ZS,G)	STRUT ASSY TYPE	R		B3088	☼	48510-01030	48510-12520					48530-12500	48540-12440
			L		B3089	☼	48520-01030	48520-12390					48530-12520	48540-12460
		CARTRIDGE TYPE			Z1108	☼								

*There are two kinds of shock absorbers.(Strut assy and strut cartridge)Please choose them depending on each type.

COROLLA/SPRINTER CARIB/SPACIO

97/05~00/08	AE111,CE110,CE111	R	A3090	B3090	☼	48510-09400	48510-09410	R		B2150	☼	48530-09250	48530-09310
						48510-12770	48510-12780					48530-09320	48530-13050
						48510-19435	48510-19445					48530-1A200	48530-1A310
						48510-19595	48510-87689					48530-1A321	48530-1A330
						48510-87690	48510-87700					48530-80004	48530-80016
												48530-80021	48530-80023
												48530-80024	
		L	A3091	B3091	☼	48520-09340	48520-09350	L		B2151	☼	48540-09220	48540-09270
						48520-12650	48520-12660					48540-09280	48540-13050
						48520-19155	48520-19165					48540-19215	48540-19295
						48520-19285	48520-49245					48540-19305	48540-19325
						48520-49255	48520-49256					48540-19335	48540-1A140
												48540-1A250	48540-1A261
												48540-1A270	
97/10~98/10	AE11#,CE110 for New Zealand	R				48510-12790	48510-19475	R		B2150	☼	48530-1A240	48530-80011
		L				48520-19195		L		B2151	☼	48540-19285	48540-1A180
97/05~00/08	AE114/115,CE114(4WD)	R				48510-19455	48510-19475	R		B2267	☼	48530-12760	48530-19695
						48510-19785	48510-87692					48530-19705	48530-19735
												48530-1A160	48530-1A170
												48530-1A220	48530-80006
												48530-80008	
		L				48520-19175	48520-19195	L		B2268	☼	48540-12700	48540-19145
						48520-19465	48520-49275					48540-19155	48540-19175
						48520-49276	48520-49216					48540-19235	48540-19255
												48540-1A100	48540-1A110
												4A540-1A160	

COROLLA/ALTIS(ASIA/INDIA)

01/03~	ZZE121(1600),ZZE122(1800) Taiwan,Malasia(For SED)	R				48510-02160	48510-02170			U2980	☼	48530-02190	48530-02191
		L				48510-09550	48510-09560					48530-02200	48530-02201
						48520-02160	48520-02170					48530-09430	48530-09440
						48520-09450	48520-09460						
01/05~	ZZE121(1600),ZZE122(1800) Indonesia,Thailand(For SED)	R		B3232	☼	48510-02140	48510-09530			U2980	☼	48530-02170	48530-02171
		L		B3233	☼	48520-02140	48520-09430					48530-09410	48530-09780
01/07~	NZE121/124,ZZE123/124, CE121,Philippine,Vietnam (For SED)	R		B3232	☼	48510-02150	48510-09540			U2980	☼	48530-80048	48530-80049
		L		B3233	☼	48520-02150	48520-09440					48530-80051	48530-80093
												48530-80094	48530-80095
												48530-80096	48530-80155
												48530-80153	
03/01~	ZZE121(1600),ZZE122(1800) India(For SED)	R				48510-02310	48510-09720					48530-02330	48530-09580
		L				48520-03410	48520-09620						

○ Eyering
⊥ Upper Bolt

◎ Bushing
⊥ Lower Bolt

⊗ XPin Type Bushing
☼ Suspension Strut

☼ Coil Over Type
☼ Strut Cartridge

TOYOTA



YEAR	MODEL (Make-Name)	FRONT					REAR				
		TOKICO NO. OIL	GAS		OEM NO.		TOKICO NO. OIL	GAS		OEM NO.	

COROLLA/ALTIS(ASIA/INDIA)(Continued)

01/07~	NZE120,ZZE12#.For Philippine, Vietnam	R		B3232	☒	48510-02150	48510-02360		U2980	☒	48530-80048	48530-80049
						48510-09540	48510-2B320				48530-80051	48530-80093
						48510-80016	48510-80019				48530-80094	48530-80095
						48510-80026	48510-80029				48530-80096	48530-80155
						48510-80030	48510-80058				48530-80153	
						48510-80091	48510-80092					
						48510-80093	48510-80094					
						48510-80095						
		L		B3233	☒	48520-02150	48520-02360					
						48520-09440	48520-19676					
						48520-19706	48520-19725					
						48520-19755	48520-19765					
						48520-19875	48520-19885					
						48520-19895	48520-80001					
08~	For THAILAND (1600,1800)	R		B3271	☒	48510-02650			U3805	☒	48530-02660	
		L		B3272	☒	48520-02650						

COROLLA

00/08~	NZE121,SED/Station Wagon without Rough Road Package, Bult in Japan	R		B2299	☒	48510-1A380	48510-1A480		U2980	☒	48530-80048	48530-80049
						48510-80015	48510-80090				48530-80051	48530-80093
		L		B2300	☒	48520-19665	48520-19865			48530-80094	48530-80096	
						48520-1A250	48520-1A280	48530-80155	48530-80153			
00/08~02/09	NZE120,NZE121..LX,ZZE121..LHD,ZZE122,CE120 SED/ Station Wagon without Rough Road Package,Bult in Japan	R				48510-1A330	48510-80017		U2980	☒	48530-80048	48530-80049
		L				48520-19686	48520-1A330				48530-80051	48530-80093
00/08~02/09	ZZE121,CE120,SED/Station Wagon with ABS,without Rough Road Package,Built in Japan	R		B3232	☒	48510-02150	48510-02360		U2980	☒	48530-80048	48530-80049
						48510-09540	48510-2B320				48530-80051	48530-80093
						48510-80016	48510-80019				48530-80094	48530-80095
						48510-80026	48510-80029				48530-80096	48530-80155
						48510-80030	48510-80058				48530-80153	
						48510-80091	48510-80092					
						48510-80093	48510-80094					
						48510-80095						
		L		B3233	☒	48520-02150	48520-02360					
						48520-09440	48520-19676					
						48520-19706	48520-19725					
						48520-19755	48520-19765					
						48520-19875	48520-19885					
						48520-19895	48520-80001					
02/09~	NZE120,NZE121..LX,ZZE121/ 122,CE120 SED/Station Wagon without Rough Road Package, Bult in Japan,Excl Philippine & Vietnam	R		B3232	☒	48510-80091	48510-80092		U2980	☒	48530-80048	48530-80049
		L		B3233	☒	48520-19875	48520-19885				48530-80051	48530-80093
00/08~	NZE120,NZE121..LX,ZZE121/ 122 SED/Station Wagon with Rough Road Package,Bult in Japan,Excl Philippine & Vietnam	R		B3232	☒	48510-02150	48510-02360		U2980	☒	48530-80048	48530-80049
						48510-09540	48510-2B320				48530-80051	48530-80093
						48510-80016	48510-80019				48530-80094	48530-80095
						48510-80026	48510-80029				48530-80096	48530-80155
						48510-80030	48510-80058				48530-80153	
						48510-80091	48510-80092					
						48510-80093	48510-80094					
						48510-80095						
		L		B3233	☒	48520-02150	48520-02360					
						48520-09440	48520-19676					
						48520-19706	48520-19725					
						48520-19755	48520-19765					
						48520-19875	48520-19885					
						48520-19895	48520-80001					

○ Eying
⊥ Upper Bolt

◎ Bushing
⊥ Lower Bolt

⊗ XPin Type Bushing
☒ Suspension Strut

☒ Coil Over Type
☒ Strut Cartridge

MITSUBISHI
NISSAN
NISSAN DIESEL
PERODUA
PROTON
SUBARU
SUZUKI
TOYOTA

TOYOTA



YEAR	MODEL (Make-Name)	FRONT					REAR				
		TOKICO NO. OIL	GAS		OEM NO.		TOKICO NO. OIL	GAS		OEM NO.	

COROLLA(Continued)

01/10~	ZZE122;5DoorHB,ZZE122;SED Built in Japan(For Australia)	R		B2299	⊕	48510-1A410	48510-80052			U3812	⊕	48530-1A520	48530-1A530		
		L		B2300	⊕	48520-19815	48520-1A270					48530-1A700	48530-80061		
02/08~	ZZE120/121/122/123	R				48510-02111	48510-02241			U3812	⊕	48530-02140	48530-02141		
		L				48510-09G00	48510-09G10					48530-02271	48530-09630		
						48520-02111	48520-02241					48530-09D30	48530-09D40		
02/09~04/04	CE120,ZZE121/122 with ABS	R		B3289	⊕	48510-1A570	48510-80174			U2980	⊕	48530-12A60	48530-80148		
		L		B3290	⊕	48520-80021									
04/04~	CE120,NZE120/121,ZZE120/ 121/122 without ABS	R		B3287	⊕	48510-12A20	48510-80179			U2980	⊕	48530-12A50	48530-80154		
		L		B3288	⊕	48520-80026									
04/04~	ZZE122 for Australia	R		B2299	⊕	48510-80176				U3812	⊕	48530-12A81	48530-80406		
		L		B2300	⊕	48520-80023									
03~07	CE,LE for Central and South America Maeket	R		B3301	⊕	48510-02321	48510-09861			U3835	⊕	48530-02341	48530-AB031		
		L		B3302	⊕	48520-02321	48510-AB031							48531-A9030	48531-AD020
						48520-A9180	48520-AB031								
01/10~	ZZE120(1400),CDE120(2000TD) without Rough Road Package Saloon for European Market	R								U3828	⊕	48530-02221			
		L										48530-02241	48530-02251		
01/10~	ZZE121(1600) without AT without Rough Road Package Saloon for European Market	R								U3828	⊕	48530-02221			
		L										48530-02241	48530-02251		
01/10~	ZZE120(1400),ZZE121(1600) CDE120(2000TD) without Rough Road Package Estate for European Market	R								U3828	⊕	48530-02221			
		L										48530-02241	48530-02251		
02/09~	ZZE120(1400),ZZE121(1600) CDE120(2000TD) 5door Hatchback for European Market	R				48510-02201	48510-02291			U3828	⊕	48530-02221			
		L				48510-02211	48510-02301					48530-02241	48530-02251		
						48520-02201	48520-02291					48520-02211	48520-02301		
02/01~	ZZE120(1400),ZZE121(1600) CDE120(2000TD) Saloon & Estate Built in Turkey for European Market	R				48510-02201	48510-02291			U3828	⊕	48530-02221			
		L				48510-02211	48510-02301					48530-02241	48530-02251		
						48520-02201	48520-02291					48520-02211	48520-02301		
01/11~	ZZE120(1400),ZZE121(1600) ZZE123(1800),CDE120(2000TD) without Rough Road Package 3door & 5door Hatchback Built in Turkey for European Market	R				48510-02201	48510-02291			U3828	⊕	48530-02221			
		L				48510-02211	48510-02301					48530-02241	48530-02251		
						48520-02201	48520-02291					48520-02211	48520-02301		

COROLLA VERSO

01/09~03/12	ZZE121(1600),ZZE122(1800) CDE120(2000TD) Built in Turkey Estate for European Market	R								U3828	⊕	48530-02221	
		L										48530-02241	48530-02251
04/01~	ZNR10(1600),ZNR11(1800), CUR10(2000),AUR10(2200) Built in Turkey for European Market	R										48530-09780	
		L											

CORONA

61~66	RT26G,46G		2092	●EL2092	⊥	48500-29035			2518	○	○	04488-21020	
					⊗								

○ Eyering
⊥ Upper Bolt

◎ Bushing
T Lower Bolt

⊗ XPin Type Bushing
⊕ Suspension Strut

⊕ Coil Over Type
⊔ Strut Cartridge

TOKICO SHOCK ABSORBERS

NUMERICAL LISTING

TOYOTA



YEAR	MODEL (Make-Name)	FRONT				REAR				
		TOKICO NO. OIL	GAS	⊕	OEM NO.	TOKICO NO. OIL	GAS	⊕	OEM NO.	
CORONA(Continued)										
64~69	PT46V,47V,RT46V(Van) PT46, 47(Pick Up)	2092	●EL2092	⊥ ⊗	48500-29035		2186	E2186 -----	○ ○	48531-29075
64~73/07	RT40,50~6,80~2,84,RT90,91, 93,94 RT80~84(Incl. SL), RT90~95(Incl.SL)	2092	●EL2092	⊥ ⊗	48500-29035 48500-29055 48500-29045 48500-29065		2020	-----	⊥ ○ ○	48531-29065 48531-29155 48531-29085 48531-29175 48531-29105
70~73/07	RT86V~88V(VAN),PT86(VAN)	2092	●EL2092	⊥ ⊗	48500-29055		●2127		⊥ ○	48531-29125 48531-29135
73/08~78	TT100 ,110 ,RT100~4, RT110 ,TT120 ,RT122~3	2092	●EL2092	⊥ ⊗	48500-29115 48500-29175 48500-29116		2276	●G2315	⊥ ○ ○	48531-29295 48531-29297 48531-29296
73/08~78/08	RT106V,108V,TT106V(Van)	2092	●EL2092	⊥ ⊗	48500-29125 48500-29126		2186	E2186 -----	○ ○	48531-29265 48531-29276 48531-29266
78/09~81/12	TT131,RT133(SL,CXS),TT130	S3007	●Z3007	⊔	48510-20010 48520-20010		2497	E2325 ●EL2325	⊥ ○ ○ ○	48531-29515 48531-29525
78/09~81/12	TT131,RT133(SL,CXS),TT132, RT132	S3014	●Z3014	⊔	48510-20030 48520-20030 48510-20070 48520-20070 48510-20110 48520-20110		2497	E2325 ●EL2325	⊥ ○ ○ ○	48531-29515 48531-29525 48531-29685
78/09~81/12	TT137V,138V,RT137V(Van)	S3007	●Z3007	⊔	48510-20010 48520-20010		2550		⊥ ○	48531-29565
78/09~82/08	RT130,131(LPG)	●S3044	-----	⊔	48510-20050 48520-20050 48510-20051 48520-20051 48510-20052 48520-20052 48510-20060 48520-20060 48510-20061 48520-20061 48510-20062 48520-20062		2549		⊥ ○	48531-29555
80~	TT132(For M.E.Countries)	S3102	●Z3102	⊔	48510-20020 48520-20020		-----			48531-29515 48531-29525
82/01~83/10	CT140(GX,EX Saloon)	S3007	●Z3007	⊔	48510-14160 48520-14020		2497	E2325 ●EL2325	⊥ ○ ○	48531-20250 48531-80001
82/01~83/10	TT142	S3042	●Z3042	⊔	48510-14190 48520-14050 48510-20140 48520-20140		2483	●EL2483	⊥ ○	48531-19845 48531-24040
82/01~83/10	TT147V(Van)	S3007	●Z3007	⊔	48510-14150 48520-14010		2550		⊥ ○	48531-21050 48531-29885
82/01~85/08	AT140,ST140 CT140(GX,EX Saloon),AT140	S3007	●Z3007	⊔	48510-14160 48520-14020 48510-20150 48520-20150		2497	E2325 ●EL2325	⊥ ○ ○ ○	48531-20250 48531-19775 48531-80001 48531-19875 48531-14470 48531-80001 48531-14590
82/01~	C/T140(STD)	S3081		⊔	48510-20120 48520-20120 48510-20121 48520-20121 48510-20130 48520-20130 48510-20131 48520-20131		2497	E2325 ●EL2325	⊥ ○ ○ ○	48531-20250 48531-80001
82/09~86/12	YT140(LPG)	S3081		⊔	48510-20120 48520-20120 48510-20121 48520-20121 48510-20130 48520-20130 48510-20131 48520-20131		2549		⊥ ○	48531-20210 48531-29895
83/10~85/08	AT141,TT142	S3014	●Z3014	⊔	48510-20200 48520-20200		2483	●EL2483	⊥ ○	48531-20270 48531-80033
83/10~85/08	KT147V,CT174V***Van	S3007	●Z3007	⊔	48510-14150 48520-14010		2550		⊥ ○	48531-21050 48531-29885
85/08~87/12	ST140		●Z3121	⊔	48510-20310 48520-20300 48510-20320 48520-20310 48510-20330 48520-20320		2497	E2325 ●EL2325	⊥ ○ ○ ○	48531-14590 48531-19875
85/08~87/12	AT140				48510-20330 48520-20320		2497	E2325 ●EL2325	⊥ ○ ○ ○	48531-20250 48531-80001

○ Eying
⊥ Upper Bolt

⊙ Bushing
⊥ Lower Bolt

⊗ XPin Type Bushing
⊔ Suspension Strut

⊕ Coil Over Type
⊔ Strut Cartridge

MITSUBISHI

NISSAN

NISSAN DIESEL

PERODUA

PROTON

SUBARU

SUZUKI

TOYOTA

TOKICO SHOCK ABSORBERS

NUMERICAL LISTING

TOYOTA



YEAR	MODEL (Make-Name)	FRONT				REAR			
		TOKICO NO. OIL	TOKICO NO. GAS	⌋	OEM NO.	TOKICO NO. OIL	TOKICO NO. GAS	⌋	OEM NO.

CORONA(Continued)

85/08~	KT147V,CT174V***Van		●Z3121	⌋	48510-20310 48510-20320 48510-20330	48520-20300 48520-20310 48520-20320		2550		⌋ ○	48531-21050
86/12~88/01	YT140(LPG)		S3081	⌋	48510-20131 48510-20400	48520-20131 48520-20390		-----			48531-20290 48531-29915
86/12~	CT141		S3081	⌋	48510-20400 48510-20131	48520-20390 48520-20131		2497	E2325 ●EL2325	⌋ ○ ⌋ ○	48531-20250 48531-80001
87/08~87/11	ST160		Z3097	⌋	48510-20380	48520-20370	R		B3043	⌋	48530-20131 48530-20161
							L		B3044	⌋	48540-20131 48540-20161
87/08~87/11	ST162				48510-20351 48510-20352	48520-20341	R		B3043	⌋	48530-20131 48530-20161
							L		B3044	⌋	48540-20131 48540-20161
87/12~92/03	AT170				48510-20501	48520-20501	R		B2126	⌋	48530-20410
							L		B2127	⌋	48540-20410
87/12~	AT175(4WD)		Z3101	⌋	48510-20262	48520-20262					48530-20450 48540-20450
87/12~	CT176V(Van)				48510-20451	48520-20451			E2325	⌋ ○	48531-80200
87/12~	ET176V(Van)				48510-20511	48520-20511			E2325	⌋ ○	48531-80200
87/12~	ST170,CT170,310H WAGON				48510-20461 48510-20471	48520-20461 48520-20471	R		B2126	⌋	48530-20240 48530-20260
							L		B2127	⌋	48540-20240 48540-20260
87/12~92/03	ST171(Excl.TEMS TYPE)		Z3097	⌋	48510-20451 48510-20471 48511-20240	47520-20610 48520-20451 48520-20471 48520-20610	R		B3049	⌋	48530-20300 48530-20340 48530-20320
							L		B3050	⌋	48540-20300 48540-20340 48540-20320
88/01~	YT140(LPG)		S3081	⌋	48510-20131 48510-20400	48520-20131 48520-20390		2549		⌋ ○	48531-80395 48531-80396
92~96/01	AT190,ST191,CT190	R	B3224	⌋	48510-09150 48510-20760 48510-20840	48510-20880 48510-20881 48510-20890	R		B3145	⌋	48530-2B030
		L	B3225	⌋	48520-09150 48520-20760 48520-20840	48520-20880 48520-20881 48520-20890	L		B3146	⌋	48540-2B030
91/09~93/09	ST182				48510-20630 48510-20640 48510-20650 48510-20680	48520-20630 48520-20640 48520-20650 48520-20680	R		B3147	⌋	48530-20550
							L		B3148	⌋	48540-20550
92/02~93/05	AT190	R	B2198	⌋	48510-20770		R		B2200	⌋	48530-20760
		L	B2199	⌋	48520-20770		L		B2201	⌋	48540-20760
92/02~96/01	AT190,ST191,CT190		Z3146	⌋	48510-20710 48510-20760	48520-20760	R		B3161	⌋	48530-2B260
							L		B3162	⌋	48540-2B260

CORONA(FF)

83/01~85/05	ST150,CT150		S3073	●Z3073	⌋	48510-20160 48510-20161 48510-20162 48510-20210	48520-20160 48520-20161 48520-20210	R		B2050	⌋	48530-20010 48530-20030 48530-20070
							L		B2051	⌋	48540-20010 48540-20030 48540-20070	
83/10~87/11	AT150		S1082	Z1082	⌋	48510-12330 48510-12420	48520-12200 48520-12290	R		B2050	⌋	48530-20010 48530-20030 48530-20070
							L		B2051	⌋	48540-20010 48540-20030 48540-20070	
85/05~87/11	ST150,CT150		Z3097	⌋	48510-12470 48510-20290	48520-12340 48520-20280	R		B2050	⌋	48530-20010 48530-20030 48530-20070	
							L		B2051	⌋	48540-20010 48540-20030 48540-20070	
85/08~87/08	ST160,ST162		Z3097	⌋	48510-20350 48510-20380	48520-20340 48520-20370	R		●B3015	⌋	48530-20150	
							L		●B3016	⌋	48540-20150	

○ Eying
⌋ Upper Bolt

◎ Bushing
⌋ Lower Bolt

⊗ XPin Type Bushing
⌋ Suspension Strut

⌋ Coil Over Type
⌋ Strut Cartridge

TOYOTA



YEAR	MODEL (Make-Name)	FRONT				REAR			
		TOKICO NO. OIL	GAS	⌘	OEM NO.	TOKICO NO. OIL	GAS	⌘	OEM NO.

CORONA(FF)COUPE

85/08~87/08	AT160,ST160,ST162		Z3097	⌘	48510-20260	48520-20250	R		●B3015	⌘	48530-20130	48530-20150
					48510-20350	48520-20340						48530-20140
			Z3097	⌘	48510-20262	48520-20252	R		B3043	⌘	48530-20131	48530-20161
							L				●B3016	⌘
87/08~92/03	ST160		Z3097	⌘	48510-20262	48520-20252	R		B3043	⌘	48530-20131	48530-20161
							L				B3044	⌘
87/08~92/03	ST162(VX)				48510-20282	48520-20272	R		B3043	⌘	48530-20131	48530-20161
							L				B3044	⌘
87/08~92/03	ST162(GT)				48510-20352	48520-20342	R		B3043	⌘	48530-20131	48530-20161
							L				B3044	⌘
87/08~92/03	ST163				48510-20262	48520-20252	R		B3043	⌘	48530-20131	48530-20161
							L				B3044	⌘

CORONA/CALDINA

92/11~96/01	CT196V 2000 DIESEL		Z3146	⌘	48510-20710	48510-20760			E20008	⊥	48531-80149	48531-80212
96/01~98/05	CT196V 2000 DIESEL	R	B3224	⌘	48510-29405	48510-29406			E20008	⊥	48531-80149	48531-80212
		L			B3225	⌘						
92/11~98/07	CT198V 2000 DIESEL	R	B3226	⌘	48520-29215	48520-29216			E20014	⊥	48531-80151	48531-80213
		L			B3227	⌘						
98/07~	ST198 2000 4WD	R	B3226	⌘	48510-29646	48510-29675			E20014	⊥	48531-80213	
		L			B3227	⌘						
98/05~	CT197V 2200 DIESEL	R	B3224	⌘	48510-21090	48510-29695			E20014	⊥	48531-80213	
		L			B3225	⌘						
98/05~	CT197V 2200 DIESEL	R	B3224	⌘	48510-29675	48510-29695			E20008	⊥	48531-80227	
		L			B3225	⌘						
98/01~	CT199 2200 DIESEL 4WD	R	B3226	⌘	48510-21041	48510-29346			E20008	⊥	48531-80227	
		L			B3225	⌘						
98/01~	CT199 2200 DIESEL 4WD	R	B3226	⌘	48510-21051	48510-21090			E20014	⊥	48531-80213	
		L			B3227	⌘						
92/11~02/05	ET196V 1500	R	B2198	⌘	48510-29775	48510-2B210			E20014	⊥	48531-80213	
		L			B3227	⌘						
92/11~02/05	ET196V 1500	R	B2198	⌘	48510-20861	48510-29445			E20008	⊥	48531-80212	48531-80227
		L			B2199	⌘						
92/11~96/01	ET196(GAS)	R	B2198	⌘	48510-2B100	48510-29205			E2325	⊥	48531-80200	
		L			B2199	⌘						
		R	B2198	⌘	48520-29255	48520-29265			E2325	⊥	48531-80200	
		L			B2199	⌘						
		R	B2198	⌘	48510-29455				E2325	⊥	48531-80200	
		L			B2199	⌘						

○ Eying
⊥ Upper Bolt

⊙ Bushing
⊥ Lower Bolt

⊗ XPin Type Bushing
⌘ Suspension Strut

⌘ Coil Over Type
⌘ Strut Cartridge

MITSUBISHI

NISSAN

NISSAN DIESEL

PERODUA

PROTON

SUBARU

SUZUKI

TOYOTA

TOYOTA



YEAR	MODEL (Make-Name)	FRONT				REAR			
		TOKICO NO. OIL	GAS	⌘	OEM NO.	TOKICO NO. OIL	GAS	⌘	OEM NO.

CORONA/CALDINA(Continued)

93/05~96/01	ST195(4WD),CT195(Diesel 4WD)	R	B3226	⌘	48510-21080 48510-21090 48510-2B120 48510-29415 48510-29645 48510-29646	48510-29695 48510-29765 48510-29775 48510-29655 48510-29656	R			48530-20860 48530-20861 48530-21020 48530-29395	48530-29525 48530-29535 48530-2B570	
		L	B3227	⌘	48520-21080 48520-21090 48520-2B120 48520-29225 48520-29355 48520-29356	48520-29415 48520-29715 48520-29485 48520-29365 48520-29366	L			48540-20860 48540-20861 48540-21020 48540-29095	48540-29205 48540-29215 48540-2B570	
96/01~00/03	AT211,AT212	R	B2198	⌘	48510-20770		R			48530-21030 48530-29505 48530-29695	48530-29735 48530-2B450 48530-2B720	
		L	B2199	⌘	48520-20770		L			48540-21030 48540-29185 48540-29255	48540-29295 48540-2B450 48540-2B720	
96/01~00/03	CT210,ST210	R	B3224	⌘	48510-29405 48510-29406 48510-29635	48510-29636 48510-29675 48510-2B190	R	B3145	⌘	48530-21040 48530-21070 48530-29705 48530-29515	48530-29745 48530-29795 48530-2B550 48530-2B740	
		L	B3225	⌘	48520-29215 48520-29216 48520-29345	48520-29346 48520-29385 48520-2B190	L	B3146	⌘	48540-21040 48540-21070 48540-29265 48540-29195	48540-29305 48540-29325 48540-2B550 48540-2B570	
96/01~02/09	CT216,ST215(4WD),Excl GT/GTT	R	B3226	⌘	48510-21080 48510-21090 48510-2B120 48510-29415 48510-29645	48510-29646 48510-29695 48510-29765 48510-29775	R			48530-21050 48530-21080 48530-29525	48530-29715 48530-29805 48530-2B570	
		L	B3227	⌘	48520-21080 48520-21090 48520-2B120 48520-29225 48520-29355	48520-29356 48520-29415 48520-29475 48520-29485	L			48540-21050 48540-21080 48540-29205	48540-29275 48540-29335	
97/08~98/12	ST215 G/W(4WD GT/GTT)	R	B3226	⌘	48510-29655	48510-29656				48530-21060	48540-21060	
		L	B3227	⌘	48520-29365	48520-29366						
99/12~02/09	ST215G/W (2.0/2.0Turbo 4WD,GT/GTT)	STRUT ASSY TYPE	R	B3224	⌘	48510-21100	48510-29785	R			48530-21060 48530-21090	48530-29725 48530-29815
		L	B3225	⌘	48520-21100	48520-29495	L			48540-21060 48540-29285	48540-21090 48540-29345	
99/12~02/09		CARTRIDGE TYPE		Z3146	⌘							

CORONA/CARINA Σ

92/02~96/01	AT190,ST191,CT190			Z3146	⌘	48510-20760 48510-20710	48520-20760	R	B2200	⌘	48530-20760	
								L	B2201	⌘	48540-20760	
92/02~96/01	AT190,ST190	R	B2198	⌘	48510-20770			R			48530-20800 48530-20810 48530-2B270	48530-2B530 48530-29385
		L	B2199	⌘	48520-20770			L			48540-20800 48540-20810 48540-2B270	48540-2B530 48540-29385
92/02~96/01	AT190,ST190,CT190	R	B3224	⌘	48510-09150 48510-20760 48510-20840	48510-20880 48510-20881 48510-20890		R	B3161	⌘	48530-2B260	
		L	B3225	⌘	48520-09150 48520-20760 48520-20840	48520-20880 48520-20881 48520-20890		L	B3162	⌘	48540-2B260	

○ Eying
⌘ Upper Bolt

⊙ Bushing
⌘ Lower Bolt

⊗ XPin Type Bushing
⌘ Suspension Strut

⌘ Coil Over Type
⌘ Strut Cartridge

TOYOTA



YEAR	MODEL (Make-Name)	FRONT				REAR			
		TOKICO NO. OIL	GAS	⌘	OEM NO.	TOKICO NO. OIL	GAS	⌘	OEM NO.

CORONA/CARINA Σ (Continued)

92/02~96/01	AT190,ST191,CT190	R		B3224	⌘	48510-09150 48510-20760 48510-20840	48510-20880 48510-20881 48510-20890	R		B3145	⌘	48530-2B030	
		L		B3225	⌘	48520-09150 48520-20760 48520-20840	48520-20880 48520-20881 48520-20890	L		B3146	⌘	48540-2B030	
92/01~98/01	AT190,ST191(GX)	R		B2198	⌘	48510-20770						48530-20690 48530-2B480 48530-29445	48540-20690 48540-2B480 48540-29445
		L		B2199	⌘	48520-20770							
96/02~98/05	ST191,CT190 2.0/2.0Diesel SED/LB.5Door HB with Harsh Road Package	R	STRUT ASSY TYPE	B3224	⌘	48510-29277 48510-29476	48510-29475	R		B3161	⌘	48530-20820	48530-20850
		L		B3225	⌘	48520-29285 48520-29287	48520-29286	L		B3162	⌘	48540-20820	48540-20850
92/11~96/01	ST191 2.0 StationWagon	R		B3224	⌘	48510-29378		R		B3161	⌘	48530-20850	48530-2B260
		L		B3225	⌘	48520-29188		L		B3162	⌘	48540-20850	48540-2B260
96/01~97/10	AT190,ST191,CT190 SED made in U.K.	R		B3224	⌘	48510-09150		R		B3161	⌘	48530-05030 48530-20820	48530-09130 48530-20850
		L		B3225	⌘	48520-09150		L		B3162	⌘	48540-05030 48540-20820	48540-09130 48540-20850
96/01~00/03	CT210,ST210	R		B3224	⌘	48510-29405 48510-29406 48510-29635	48510-29636 48510-29675 48510-2B190	R		B3145	⌘	48530-21040 48530-21070 48530-29705 48530-29515	48530-29745 48530-29795 48530-2B550 48530-2B740
		L		B3225	⌘	48520-29215 48520-29216 48520-29345	48520-29346 48520-29385 48520-2B190	L		B3146	⌘	48540-21040 48540-21070 48540-29265 48540-29195	48540-29305 48540-29325 48540-2B550 48540-2B740

CRESSIDA/MARK II/CHASER/CRESTA

68~71/12	RT78L-KA		2092	●EL2092	⌘	48500-29015		●2267		○	48531-29095
68~71/12	RT76,77,78(SW),RT6,RT7(Incl. SL,GSL,GSS)		2092	●EL2092	⌘	48500-29015	48500-29025	2518		○	48531-29035 48531-29025
68/09~76/11	RT66V,69V(Van) RT67V,68V (Van Deluxe),RX26~28, MX27(Wagon),RX16V,17V(Van)		2092	●EL2092	⌘	48500-29015 48500-29085	48500-29095	2186	E2186 -----	○	48531-29045 48531-29225 48531-29235
72/01~76/11	RX10/20 SL,GSL,GSS Excl VAN,WAGON		2092	●EL2092	⌘	48500-29085	48500-29095	●2269		⌘	48531-22070
76/12~80/08	MX35,45(Wagon)		S3031	-----	⌘	48510-22010	48520-22010	2550		⌘	48531-29365
76/12~80/08	RX31,41,MX31,33,41,43,TX30, 40,RX30,40,MX30,40,LX40		S3031	-----	⌘	48510-22010 48510-22050	48520-22010 48520-22050	2483	●EL2483	⌘	48531-29375 48531-29345
76/12~80/08	RX37V,TX47V(Van)		S3031	-----	⌘	48510-22010	48520-22010	2020		⌘	48531-29355 48531-29415
80/09~82/08	GX61,MX61,63(GRANDE) TX60,RX60,GX60(SED),LX60		S3064	●Z3064	⌘	48510-22110 48510-22150	48520-22110 48520-22150	2483	●EL2483	⌘	48531-29375 48531-29705 48531-29695
80/09~84/07	RX63,GX61,MX61 (GRANDE,Excl.Hard Sus.)LX65 SX60,LX60		●S3063	-----	⌘	48510-22100 48510-22170 48510-22180 48510-22190	48520-22100 48520-22170 48520-22180 48520-22190	2483	●EL2483	⌘	48531-29715 48531-29375 48531-29705 48531-80007
80/11~82/08	GX60(Wagon)		S3064	●Z3064	⌘	48510-22110	48520-22110	2497	E2325 ●EL2325	⌘	48531-29765
80/11~82/08	TX67V,LX67V(Van)		S3064	●Z3064	⌘	48510-22110	48520-22110	2550		⌘	48531-29825

○ Eyering
⌘ Upper Bolt

◎ Bushing
⌘ Lower Bolt

⊗ XPin Type Bushing
⌘ Suspension Strut

⌘ Coil Over Type
⌘ Strut Cartridge

TOYOTA



YEAR	MODEL (Make-Name)	FRONT				REAR			
		TOKICO NO. OIL	TOKICO NO. GAS		OEM NO.	TOKICO NO. OIL	TOKICO NO. GAS		OEM NO.

CRESSIDA/MARK II/CHASER/CRESTA(Continued)

82/08~84/07	GX60(Wagon)	●S3063	-----		48510-22180	48520-22180	2497	E2325 ●EL2325	 	48531-29765	
82/08~84/07	GX61(GRANDE,Hard Sus.) Twincam	●S3062 S3113	●Z3062	 	48510-22200	48520-22200	2483	●EL2483	 	48531-29715	
82/08~84/07	TX67V,LX67V(Van)	●S3063	-----		48510-22180	48520-22180	2550		 	48531-29825	
84/08~88/08	GX71(EFI),LS,LG,GRANDE	●S3062	●Z3062		48510-22210	48520-22210		E2321	 	48531-22550	
84/08~88/08	SX70(All),YX70,72,LX70	●S3062	●Z3062		48510-22210 48510-22240 48510-22300	48520-22210 48520-22240 48520-22300	2483	●EL2483	 	48531-22520	
84/11~88/08	GX70G(Wagon),YX76V,LX76V (Van)	●S3062	●Z3062		48510-22220	48520-22220	2727		 	48531-23180	48531-23230
85/10~88/08	GX71(Twincam Turbo)GT,MX71 (Turbo)	●S3062	●Z3062		48510-22310 48510-22300	48520-22310 48520-22300		E2321	 	48531-22710	48531-22550
88/08~92/10	GX81(High Twincam)***LG, GRANDE	S3113			48510-22500	48520-22500		U3826		48530-29076	
88/08~92/10	GX81(Hard Top Twincam Turbo)	S3113			48510-22520	48520-22520		U3826		48530-29066	
88/08~92/10	RX80/81,GX81,MX81,JZX81 (Rear:Independent Axle)	S3113			48510-22320 48510-22340 48510-22501 48510-22510 48510-22570 48511-22290 48511-22310 48511-22340 48511-22350 48520-22320 48520-22340 48520-22501 48520-22510 48520-22570	48510-22321 48510-22500 48510-22510 48511-22290 48511-22340 48520-22320 48520-22340 48520-22501 48520-22510 48520-22570		U3826		48530-22043 48530-22091 48530-22170 48530-29066 48530-29077 48530-29088 48530-29165 48530-29195 48530-29225	48530-22051 48530-22131 48530-22181 48530-29076 48530-29087 48530-29137 48530-29166 48530-29196 48530-29226
88/08~96/08	LX80,LX80Y,SX80,YX80,YX80Y	S3113			48510-22480 48510-22490	48520-22480 48520-22490	Q3423	U3423		48530-29106 48530-29107	48530-29116
88/10~	GX70G(Wagon),YX76V,LX76V ***Van	S3113	●Z3113		48510-22620	48520-22620	2868		 	48531-80365	48531-80375
92/10~96/08	GX90,JZX90,LX90,SX90		U3756		48510-22350 48510-22410 48510-29165	48510-29175 48510-29176		U3757		48530-22160 48530-29245 48530-29246	
92/10~00/09	GX90,JZX90,LX90,SX90 GX100,JZX100,TOURER V/S(Sport Suspension)		U3756		48510-29185	48510-29585		U3757		48530-29256 48530-29625	48530-29635 48530-29645
93/10~96/08	G/JZX93(4WD)				48510-22440 48510-29215	48520-23350 48520-29055		U3757		48530-22160 48530-29245	48530-29246
96/09~00/09	GX100,JZX100		U3756		48510-22460 48510-22470 48510-29545	48510-29575		U3757		48530-22410 48530-22420 48530-22460	48530-29675 48530-29685
96/09~00/09	GX105,JZX105(4WD)				48510-22670 48510-22690 48510-22700 48510-29615 48510-29715 48510-29725	48520-22360 48520-22370 48520-22380 48520-29325 48520-29425 48520-29435		U3757		48530-22460 48530-29675	

CROWN

71/02~75/11	RS80,MS80 MS60,62,65,7,RS60	3151	●G3208 E3287	 	48511-39015	48511-39115	●3205	●G3209 E3205	 	48531-39125 48531-30090	48531-39135 48531-30100
-------------	------------------------------------	------	---------------------	--------------	-------------	-------------	-------	---------------------	--------------	----------------------------	----------------------------

○ Eyering
⊥ Upper Bolt

◎ Bushing
⊥ Lower Bolt

⊗ XPin Type Bushing
⊕ Suspension Strut

⊕ Coil Over Type
⊥ Strut Cartridge

TOKICO SHOCK ABSORBERS

NUMERICAL LISTING

TOYOTA



YEAR	MODEL (Make-Name)	FRONT				REAR			
		TOKICO NO. OIL	GAS	⌚	OEM NO.	TOKICO NO. OIL	GAS	⌚	OEM NO.

CROWN(Continued)

74/10~83/08	RS8,10,MS8,9,10,LS10 (Excl., Van,Incl.Diesel),RS8,10,MS8,9,10,MS110,112,GS110,LS110,111(Incl.Turbo)(*Super Saloon, Royal Saloon Custom Edition, Saloon Edition),RS110,(Excl.Van, Wagon & *mark)MS110G, LS110G,GS110G(Wagon)	3151	●G3208 E3287	⌚ ⊗ ⌚	48511-39115 48511-39185 48511-39265	48511-39186 48511-39216 48511-39285	3252	●G3252 E3288	⌚ ○ ⌚ ○	48531-39215 48531-39225 48531-39226 48531-39395 48531-39396	48531-39245 48531-39265 48531-39305 48531-39485 48531-39405
75/01~79/08	MS87V	3151	●G3208 E3287	⌚ ⊗ ⌚ ⊗	48511-39185	48511-39186	3017		○ ○	48531-39205	
79/09~87/09	MS117V,GS117V,LS117V(Van) GS126V,LS126V(Van)	3151	E3287	⌚ ⊗	48511-39285	48511-39385	●3284		⌚ ○	48531-39425 48531-39595	48531-31120
83/08~87/09	GS121,MS123,125(Excl.Height Leveling Type)	3353	●E3353	⌚ ⊗	48511-39365	48511-39395	3354	E3354	⊙ ⊙	48531-39585 48531-39825	48531-30350 48531-39705
83/08~87/09	GS120G,LS120G(Wagon) YS120,GS120,MS120,LS120 (Incl.Turbo,LPG)	3353	●E3353	⌚ ⊗	48511-39395 48511-39405	48511-39375	3355	●E3355	⌚ ○	48531-39535 48531-39555	48531-39545 48531-39565
83/08~87/09	GS121,MS123,125(Height Leveling Type)	3353	●E3353	⌚ ⊗	48511-39395					48530-39025 48530-39035 48530-39045	48540-39025 48540-39035 48540-39045
85/10~87/09	YS120	3353	●E3353	⌚ ⊗	48511-39375	48511-39405	3383	●E3383	⌚ ⊙	48531-30360	
87/09~95/08	GS131,LS131,MS135,JZS131 (Rear independent Axle)	3419	E3419	⌚ ⊗	48510-30047 48510-30490 48510-39075 48510-39076 48530-30490	48510-39085 48510-39086 48510-39095 48510-30470		E3354	⊙ ○	48531-30410 48531-39835	
87/09~91/09	GS130,LS130,JZS130(Rear 4-link Rigid Axle incl. WAGON)	3419	E3419	⌚ ⊗	48510-39055 48510-30430	48510-39056 48510-39115	3355		⌚ ○	48531-30420 48531-30430	48531-39785 48531-39795
87/09~91/09	GS130,LS130,MS130,YS130 GS136,LS136(VAN)	3419	E3419	⌚ ⊗	48510-30510 48510-39095 48510-30450 48510-39065	48510-39096 48510-39155 48510-39066 48510-39125	3383		⌚ ⊙	48531-30370 48531-39845	48531-39815
91/10~95/08	LS141JZS141/143(Rear; Independent Axle)		E3419	⌚ ⊗	48510-39085 48511-30490	48510-39086		E3354	⊙ ○	48531-30410	48531-39835
95/08~99/08	GS151,JZS151/155,LS151		U3825	⌚ ⊗	48510-30150 48510-30152 48510-30161 48510-30260 48510-30300 48510-39326 48510-39335 48510-39346 48510-39355	48510-30151 48510-30160 48510-30162 48510-30270 48510-39325 48510-39327 48510-39345 48510-39347 48510-39385		U3757	⌚ ⊗	48530-30190 48530-39285	48530-30200 48530-39295

CROWN COMFORT(TAXI)

95/12~	GXS10,LXS11,SXS11,YXS11				48510-43010 48510-43012 48510-43021 48510-49036 48510-49085 48511-43010 48520-43011 48520-43020 48520-49035 48520-49037 48520-49086	48510-43011 48510-43020 48510-49035 48510-49037 48510-49086 48520-43010 48520-43012 48520-43021 48520-49036 48520-49085				48530-43020 48530-43022 48530-49076	48530-43021 48530-49075 48530-49077
95/12~	LXS11	S3113		⌚	48510-22500 48520-22500	48511-22290				48530-43020 48530-49075	48530-43021 48530-49076

○ Eying
⌚ Upper Bolt

⊙ Bushing
⌚ Lower Bolt

⊗ XPin Type Bushing
⌚ Suspension Strut

⌚ Coil Over Type
⌚ Strut Cartridge

MITSUBISHI
NISSAN
NISSAN DIESEL
PERODUA
PROTON
SUBARU
SUZUKI
TOYOTA

TOKICO SHOCK ABSORBERS

NUMERICAL LISTING

TOYOTA



YEAR	MODEL (Make-Name)	FRONT				REAR			
		TOKICO NO. OIL	GAS	⊕	OEM NO.	TOKICO NO. OIL	GAS	⊕	OEM NO.

DYNA

69/02~77/08	RU1,JU1,RU15,JU15(Single Tire),RU10,BU10,JU10(Single Tire),RU12 ,JU12 ,BU12,BU15	3178	E3178 ●EL3178	⊕ ○ ○ ○ ○	48511-39065	48511-39075	3004		⊕ ○	48531-69015	
69/08~77/08	HU15	3068	E3344 ●EL3344	⊕ ○ ○ ○ ○	48511-39085		3141		⊕ ○	48531-39115	
70/05~77/08	RU15,JU15(Double Tire) RU10,BU10,JU10(Double Tire)	3178	E3178 ●EL3178	⊕ ○ ○ ○ ○	48511-39075	48511-39065	3141		⊕ ○	48531-39115	
77/08~79/10	RU2 ,3,BU2 ,3,JU20(Single Tire)	3253		⊕ ○	48511-39225	48511-39226	3268		⊕ ○	48531-39285	
77/08~79/10	RU3 ,BU3 ,HU30(Double Tire) RU20,22,BU20,21,22,23,25 [Double Tire, Excl. Just-Low, B Type w/Cab Chassis, Dump (3 Rotary)]	3253		⊕ ○	48511-39225 48511-39226	48511-39305 48511-39306	3267		⊕ ○	48531-39275	
77/08~88/08	RU20,22,BU20,21,22,23 (Just-Low,B Type w/Cab Chassis) BU2 [Dump(3 Rotary)]	3253		⊕ ○	48511-39225	48511-39226	3269		⊕ ○	48531-39295	
79/10~84/08	RU2,3,BU2,3,JU20(Single Tire) RU3,BU3,HU30(Double Tire), RU20,22,BU20,21,22,23,25 [Double Tire, Excl. Just-Low, B Type w/Cab Chassis, Dump (3 Rotary)] BU40,41,45,46,50, 51,HU26,40,50 WU26,40,50	3253		⊕ ○	48511-39225 48511-39226 48511-39306 48511-39306 48511-39355	48511-39226 48511-39305 48511-39306	3178	E3178 ●EL3178	⊕ ○ ○ ○	48531-29276 48531-39276	48531-39455 48531-39515
79/10~84/08	RU20,22,BU20,21,22,23 (Just-Low,B Type w/cab Chassis), BU2 [Dump(3 Rotary)]	3253		⊕ ○	48511-39225	48511-39226	3037	E3435 ●EL3037	⊕ ○ ○ ○	48531-39445	
84/09~95/05	BU90,95,WU90,95,BU85(Excl. 2.75t,3t),BU77,WU75D,YU80, BU62 (2.75t Fire Engine), BU64D,BU80,81,BU82(2t)	3253		⊕ ○	48511-39495 48511-39525 48511-36150	48511-39535 48511-39505	3267		⊕ ○	48531-39725	
84/09~95/05	BU85,V,BU93,98(2.75t,3t)	3253		⊕ ○	48511-39495 48511-39525	48511-39535	-----			48531-39735	
84/09~95/05	BU62H-MDDHT3,BU82(2.75t,3t)	3364		⊕ ○	48511-36160	48511-39515	3267		⊕ ○	48531-39725	
84/09~95/05	YU60,BU60,61,BU62 (Excl. 2.75t),(Double Tire),YU60,70V, BU60,61,62,D,H,70V (Single Tire)	3253		⊕ ○	48511-36150	48511-39505	3178	E3178 ●EL3178	⊕ ○ ○ ○	48531-39715	
84/09~87/08	BU60,61,62(Excl.SINGLE TIRE)	3253		⊕ ○	48511-36150	48511-39505					
85/08~95/05	YY,LY50,60	2663		⊕ ○	48511-25110	48511-29115	2804		⊕ ○	48531-25070	
85/08~95/05	YY,LY50,60						2868		⊕ ○	48531-80365	48531-80375
95/05~	LY211,YY211(Rear Single Tire)	2663		⊕ ○	48511-25110 48511-29735	48511-29736	2804		⊕ ○	48531-25070 48531-80452	48531-80550 48531-80587
95/05~	LY211R,YY211R(RH Steering with Rear Double tire)	2663		⊕ ○			2504		⊕ ○	48531-25080 48531-80065 48531-80456	48531-80554 48531-80588

DYNA/TOYOACE

95/05~00/05	BU132(T3,T4)	3253		⊕ ○	48511-80015	48511-80032				48531-80445	
95/05~00/05	XZU130(CBU,IV3)	3253		⊕ ○	48511-80015	48511-80032				48531-80445	

○ Eyering
⊕ Upper Bolt

⊙ Bushing
⊔ Lower Bolt

⊗ XPin Type Bushing
⊚ Suspension Strut

⊕ Coil Over Type
⊔ Strut Cartridge

TOKICO SHOCK ABSORBERS

NUMERICAL LISTING

TOYOTA



YEAR	MODEL (Make-Name)	FRONT				REAR			
		TOKICO NO. OIL	GAS	⌄	OEM NO.	TOKICO NO. OIL	GAS	⌄	OEM NO.

DYNA/TOYOACE(Continued)

95/05~99/05	BU100,102,12#(ST)	3253		⌄ ○	48511-80015	48511-80032				48531-80441
95/05~99/06	BU162,172,182	3150		⌄ ○	48511-80017	48511-80034				48531-80445
95/05~99/06	BU202.212,222(IV3) Rear hard spring	3253		⌄ ○	48511-80018	48511-80035				48531-80445
95/05~97/03	BU132(TL4),BU202,212,222	4134		⌄ ○	48511-80019	48511-80036				48531-80445
95/05~99/05	BU102(IV4)	3364		⌄ ○	48511-80016	48511-80033				48531-80443
97/03~99/06	BU132(TL4),BU202,212,222 (20T,IV3)	4134		⌄ ○	48511-80036					48531-80445
97/12~99/06	B212(30T)	3253		⌄ ○	48511-80035					48531-80445
97/01~99/05	BU297				48510-65010					48530-65010 48530-65030
96/10~99/05	BU105,107				48510-37010					48531-80442
96/10~99/05	BU137				48510-37010					48531-80445
96/10~99/05	BU145,147				48510-37010					48531-80443
95/05~98/06	BU112 DMP	3253		⌄ ○	48511-80015	48511-80032				48531-80444
95/05~98/06	BU112	3253		⌄ ○	48511-80015	48511-80032				48531-80443
98/06~99/05	BU112	3253		⌄ ○	48511-80015	48511-80032				48531-80444
95/05~00/05	BU102(T3)	3253		⌄ ○	48511-80015	48511-80032				48531-80443
95/05~00/05	BU102(T4)	3253		⌄ ○	48511-80015	48511-80032				48531-80445
95/05~00/05	BU14#,RZU140,XZU140	3253		⌄ ○	48511-80015	48511-80032				48531-80443
95/05~00/05	BU10#,RZU100,(DM2,DM5,T2, T3,T4,TW1,TW4)WT,20T	3253		⌄ ○	48511-80015	48511-80032				48531-80442
99/05~06/05	XZU301,XZU302(20T,WT), XZU301,31#,321,322(20T), RZU300,XZU302,311,321, BU301,XZU300,320,330,331, 340,341,35#(WT)	3822		⌄ ○	48511-80078 48511-37070	48511-80120				
00/05~06/05	RZU300,340(20T),XZU301,302, 31#,32,332(20T),RZU300, XZU302,311,321(30T),BU301, XZU300,320,330,331,340,341, 342,35#(WT)	3822		⌄ ○	48511-39035 48511-37150	48511-80121				
99/07~06/10	BU301,XZU302(ST) XZU301,304(ST)	3822		⌄ ○	48511-80080 48511-37140	48511-80118				
99/07~04/06	XZU362,37#,382	3819		⌄ ○	48511-80081					
06/05~	XZU354,BZU300,340,XZU301, 304,321,334,341,344,351 (20T WT)	3822		⌄ ○	48511-80120	48511-37230				
06/05~	XZU301(20T),XZU304,RZU30# 340,XZU331,XZU301,321,341, 344(30T,35T),BZU300,340, XZU304,305,31#,334	3822		⌄ ○	48511-80121	48511-37250				
03/06~06/10	XKU304	3822		⌄ ○	48511-39035 48511-37150	48511-80121 48511-37250				48531-80672 48531-37020
03/06~06/10	XKU344	3822		⌄ ○	48511-39035 48511-37150	48511-80121 48511-37250				48531-80673 48531-37010
99/05~99/08	XZU412(20T),XZU40#,410,411 42#,430	3821		⌄ ○	48511-80071	48511-37121				
99/08~02/06	BU400,410,420,430 XZU40#,41#,42#,430	3821		⌄ ○	48511-80071	48511-37121				

○ Eyering
⌄ Upper Bolt

⊙ Bushing
⌋ Lower Bolt

⊗ XPin Type Bushing
⌋ Suspension Strut

⊕ Coil Over Type
⌋ Strut Cartridge

MITSUBISHI
NISSAN
NISSAN DIESEL
PERODUA
PROTON
SUBARU
SUZUKI
TOYOTA

TOYOTA



YEAR	MODEL (Make-Name)	FRONT				REAR			
		TOKICO NO. OIL	GAS	⌄	OEM NO.	TOKICO NO. OIL	GAS	⌄	OEM NO.

DYNA/TOYOACE(Continued)

02/06~04/08	XZU400,404(IV3),XZU400,404 (35T),BU410,420,430,BZU410, XZU401,402,41#,42#,430 (CNG,DSL,LPG,TDEFI) (IV3)	3769		⌄ ○	48511-80095 48511-37160	48511-80115				
99/08~04/06	XZU382	3820		⌄ ○	48511-80072					
04/06~	XZU388				48511-80349	48511-37060				
02/06~04/08	XZU400,404(40T) XZU410,414(40T)	3821		⌄ ○	48511-80071	48511-37121				
03/10~04/06	XZU414,415	3769		⌄ ○	48511-80095 48511-37160	48511-80115				
04/08~05/05	XZU414	3821		⌄ ○	48511-80117 48511-37122	48511-89225				
04/08~06/05	XZU404(IV3,35T),BZU410, XZU401,41#,42#	3821		⌄ ○	48511-89225	48511-3D161				
06/05~07/05	XZU404(IV3,35T),BZU410, XZU410,41#,42#,433 (CNG, DCR,DCRL,DSL,DSLL,LPG)	3769		⌄ ○	48511-89215	48511-37260				
04/08~	XZU404(40T)	3821		⌄ ○	48511-80117 48511-37122	48511-89225 48511-37270				
06/10~	XZU404(IV3,40T) XZU404,414,424,434,454	3769		⌄ ○	48511-89215	48511-37260				
06/10~08/01	XZU504,524,554(5F,WT)	3822		⌄ ○	48511-80120	48511-37230				
06/10~	XZU504(ST)	3822		⌄ ○	48511-80118	48511-37240				
06/10~	XZU504,554(6FC),BZU300,340 XZU304,324,344,354,504 (20T,40T) WT	3822		⌄ ○	48511-80120	48511-37230				
06/10~	DZU300(DM6),XZU304(30T) TRU300,340,500,XZU304 BZU300,340,XZU314,324,334, 344(30T,35T,40T)	3822		⌄ ○	48511-80121	48511-37250				

HARRIER/LEXUS(RX300/RX330)

03/02~	ACU25W(2400) ACU35W(2400) GSU30W(3000) MCU30W(3000) MCU35W(3000) MHU38W(3300) GSU35W(3500) without Air Suspension	R	B3259	⌄	48510-48080	48510-49435	R			48530-48160	48530-48170
					48510-48090	48510-49445				48530-48180	48530-49315
					48510-48100	48510-49455				48530-49325	48530-49335
					48510-48110	48510-49575					
					48510-48120	48510-49675					
					48510-48130	48510-49825					
					48510-48140	48510-49835					
		48510-48150	48510-49805								
		48510-48160	48510-49885								
		48510-48180									
		L	B3260	⌄	48520-48080	48520-49545	L			48540-48160	48540-48180
					48520-48090	48520-49555				48540-49215	48540-48170
					48520-48100	48520-49565				48540-49205	48540-49225
					48520-48110	48520-49735					
48520-48120	48520-49745										
48520-48130	48520-49725										
48520-48140	48520-49895										
48520-48150	48520-80015										
48520-48160	48520-49875										
48520-48180	48520-80020										

HI ACE(Incl. VAN, WAGON, COMMUTER)

67~82/12	PHI Seires with single tire	3228	E3228	⌄ ⊗	48511-29015 48511-29025	48511-29135	3178	E3178	○ ○ ○ ○	48531-29015 48531-29016 48531-29385 48531-80050	48531-29017 48531-29465 48531-29625
----------	-----------------------------	------	-------	--------	----------------------------	-------------	------	-------	------------------	--	---

○ Eyering
⌄ Upper Bolt

⊙ Bushing
⌄ Lower Bolt

⊗ XPin Type Bushing
⌄ Suspension Strut

⊕ Coil Over Type
⌄ Strut Cartridge

TOYOTA



YEAR	MODEL (Make-Name)	FRONT				REAR			
		TOKICO NO. OIL	GAS	⌄	OEM NO.	TOKICO NO. OIL	GAS	⌄	OEM NO.

HI ACE(Incl.VAN,WAGON,COMMUTER)(Continued)

79/12~	RH24,LH24(Double Tire)	3228	E3228	⌄ ⊗	48511-29015		3068	E3344 ●EL3344	○ ○ ○ ○	48531-29635	
82/12~84/01	YH50V,52V,61V,62V,71V,B,L, LH50V,51V,LH60V,B,61V,B,70V, B,71V,B (Van,Commuter) (Single Tire)YH61G,LH60G, 61G(Wagon)	3392	E3392	⌄ ⊗	48511-29165		3178	E3178 ●EL3178	○ ○ ○ ○	48531-80020	48531-80023
82/12~85/06	YH51G,LH50G,51G(Wagon)	3392	E3392	⌄ ⊗	48511-29185		●3402		⌄ ○	48531-80022	48531-80039
84/01~89/08	YH61G,LH60G,61G(Wagon) YH50V,52V,61V,62V,71V,B, LH50V,51V,LH60V,B,61V,B,70V, B,71V,B (Van,Commuter) (Single Tire),YH61(WAGON), YH50,51,52,61,62,71(VAN, COMMUTER),LH51,61,71(VAN, COMMUTER),LH61,71(WAGON)	3392	E3392	⌄ ⊗	48511-26041 48511-29415 48511-26051 48511-29185 48511-26061 48511-29425 48511-29165 48511-29435 48511-29405		3365	E3365 ●E3473	○ ○ ○ ○	48531-26220 48531-80041 48531-26011 48531-80042 48531-80044	
84/08~85/08		3392		⌄ ⊗	48511-26061 48511-26180 48511-29405 48511-29435			●E3472	○ ○	48531-80042	48531-80043
85/06~87/08	YH51G,LH50G,51G(Wagon)	3392	E3392	⌄ ⊗	48511-26061 48511-29435		●3403		⌄ ⊗	48531-26081	
82/12~87/08	YH61V,62V,LH60V,61V(Van) (Double Tire)	3392	E3392	⌄ ⊗	48511-29165 48511-26041		3068	E3344 ●EL3344	○ ○ ○ ○	48531-80021	
85/08~87/08	YH80,LH80(S Tire,Low Floor)	3392	E3392	⌄ ⊗	48511-26090		3404		○ ⊗	48531-26150	
85/08~87/08	YH80,LH80(S Tire,Just-Low)	3392	E3392	⌄ ⊗	48511-26090		3405		○ ⊗	48531-26170	
85/08~87/08	YH80,LH80(W Tire)	3392	E3392	⌄ ⊗	48511-26090		●3406		○ ○	48531-26180	
86/08~87/08	LH56,66(4WD)	3474	E3474	⌄ ⊗	48511-26120		3365	E3365	○ ○	48531-26210	
87/08~89/08	LH56,LH66,LH66(4DOOR VAN DX)	3474	E3474	⌄ ⊗	48511-29445 48511-29465		3365	E3365	○ ○	48531-80130	48531-80140
87/08~89/08	YH57	3474	E3474	⌄ ⊗	48511-29455					48531-80150	
89/08~95/08	LH102,113,115,123,125 RZH102,112,122,124,125 LH110,120,140,RZH110,LH100, RZH100,101	3529		⌄ ⊗	48511-29525 48511-29565		3365	E3365	○ ○	48531-80398 48531-80399 48531-80402	
89/08~95/08	LH55,66(VAN,WAGON, COMMUTOR)	3529		⌄ ⊗	48511-29527		3530		○ ○	48531-80399	
89/08~92/05	LH109,119,129	3474	E3474	⌄ ⊗	48511-29595					48531-80401	
89/08~95/08	LH107	3474	E3474	⌄ ⊗	48511-29605					48531-80404	
89/08~95/08	LH117(4WD WAGON)	3474	E3474	⌄ ⊗	48511-29605					48531-80416	

MITSUBISHI
 NISSAN
 NISSAN DIESEL
 PERODUA
 PROTON
 SUBARU
 SUZUKI
 TOYOTA

○ Eying
⌄ Upper Bolt

⊗ Bushing
⌄ Lower Bolt

⊗ XPin Type Bushing
⌄ Suspension Strut

⌄ Coil Over Type
⌄ Strut Cartridge

TOYOTA



YEAR	MODEL (Make-Name)	FRONT				REAR			
		TOKICO NO. OIL	TOKICO NO. GAS	⌚	OEM NO.	TOKICO NO. OIL	TOKICO NO. GAS	⌚	OEM NO.

HI ACE(Incl.VAN,WAGON,COMMUTER)(Continued)

93/08~95/08	KZH100/101G,LH100/101G, RZH100/101G for Mexico	3529		⌚ ⊙	48511-26240	48511-26241		E3365	○ ○	48531-26310	48531-26311
					48511-26280	48511-26281				48531-80138	48531-80402
					48511-26282	48511-26290				48531-80428	48531-80530
					48511-26320	48511-26330				48531-26480	48531-80538
					48511-29525	48511-29526					
					48511-29527	48511-29565					
					48511-29566	48511-29567					
					48511-29575	48511-29675					
					48511-29676	48511-29685					
					48511-29686	48511-29695					
48511-29696	48511-80055										
48511-80056	48511-80057										
48511-80058											
95/08~	RCH12/13/22/23,LXH12/22, KCH10/40,RCH41(2WD)	3529		⌚ ⊙	48511-26320	48511-26340				48531-26530	48531-26560
					48511-26350	48511-26460				48531-80298	48531-80299
					48511-29685	48511-29686				48531-80583	48531-80635
					48511-29765	48511-29775					
					48511-80044	48511-80047					
95/08~	RCH18/19/28/29,LXH18/28, KCH16/46/47(4WD)	3474	E3474	⌚ ⊙	48511-26360	48511-29785				48531-26540	48531-26550
					48511-29865	48511-80050				48531-80459	48531-80460
96/11~98/08	RZH135(Van/Commuter)	3529		⌚ ⊙	48511-26282	48511-29676				48531-80636	48531-80651
98/08~	RZH135(Van/Commuter)	3529		⌚ ⊙	48511-26282	48511-80056				48531-26610	48531-80572
96/11~	RZH153(Van/Commuter)	3529		⌚ ⊙	48511-26282	48511-29676				48531-26481	48531-80574
98/08~	LH154(Van/Commuter)	3529		⌚ ⊙	48511-80056					48531-80667	
				⌚ ⊙	48511-26241	48511-80055				48531-26481	48531-80667

HIGHLANDER/KLUGER

02~	MCU##3.0L,ACU##2.4L(FWD/ AWD)for USA	R	B3259	⌚ ⊙	48510-48071	48510-48110	R			48530-48190	48530-48200
		L	B3260	⌚ ⊙	48510-49435	48510-49455	L			48530-48240	48530-49405
01~03	MCU##3.0L,ACU##2.4L(FWD/ AWD)for USA	R	B3259	⌚ ⊙	48510-49565	48510-49655	R			48530-49415	48530-49545
		L	B3260	⌚ ⊙	A0943-14863		L			A0943-14864	
04~	ACU##2.4L(FWD/AWD)for USA	R	B3259	⌚ ⊙	48520-49545	48520-49565	R			48540-48190	48540-48200
		L	B3260	⌚ ⊙	48520-49285	48510-49655	L			48540-48240	48540-49235
04~	ACU##2.4L(FWD/AWD)for USA	R	B3259	⌚ ⊙	48520-49545	48520-49565	R			48540-49245	48540-49285
		L	B3260	⌚ ⊙	48520-49545	48520-49565	L			A0943-14864	
				⌚ ⊙	48510-48071	48510-49285	R			48530-48100	48530-49215
				⌚ ⊙	48510-49655		L			48530-48100	48540-49145
				⌚ ⊙	48510-48071	48510-49285	R			48530-48100	48530-49215
				⌚ ⊙	48510-49655		L			48530-49325	48530-49555
				⌚ ⊙	48520-49545	48520-49565	L			A0943-14865	
				⌚ ⊙	48520-49545	48520-49565	L			A0943-14866	

HILUX

68~78/07	RN10,13,15,16,RN2	2092		⌚ ⊙	48500-39015	48511-39206	2518	E3344	○ ○ ●EL3344	48531-39075	48531-39077
					48511-39135					48531-39076	48531-39105
										48531-39256	48531-39165
78/07~79/05	RN30,40	2092		⌚ ⊙	48511-39245	48511-39246	2518	E3344	○ ○ ●EL3344	48531-39078	
										48531-39325	
79/05~80/08	RN30,33,4 ,LN30,40	2515	●EL3343	⌚ ○	48511-39247		2518	E3344	○ ○ ●EL3344	48531-39325	

○ Eyring
⌚ Upper Bolt

⊙ Bushing
⌚ Lower Bolt

⊗ XPin Type Bushing
⌚ Suspension Strut

⌚ Coil Over Type
⌚ Strut Cartridge

TOKICO SHOCK ABSORBERS

NUMERICAL LISTING

TOYOTA



YEAR	MODEL (Make-Name)	FRONT				REAR			
		TOKICO NO. OIL	GAS	⌚	OEM NO.	TOKICO NO. OIL	GAS	⌚	OEM NO.

HILUX(Continued)

79/10~83/10	RN36,39(4WD)	2649		⌚ ⊙	48510-39015		2650	●E2650	○	48531-39375		
80/08~88/09	RN33,35,43,45,LN30,40,41	2515	●EL3343	⌚ ○	48511-39315		2518	E3344 ●EL3344	○ ○ ○ ○	48531-39325		
81/10~83/10	LN36,46(Diesel 4WD)	2649		⌚ ⊙	48510-39045		2650	●E2650	○ ○	48531-39475		
83/11~88/09	LN50,51,55,56,YN51,56	2726	E2726 ●EL2726	⌚ ○ ⌚ ⊗	48511-39415		2771	E2771 ●EL2771	○ ○ ○ ○	48531-39605	48531-39935	
83/08~	YN5#,LN5#(STD,DLX)ARL,GEN,ME,LN5,5RMS						2768		○ ○	48531-35280	48531-39615	
83/08~	YN60						2946		○ ○	48531-35230	48531-39656	
83/11~88/09	LN60,65,YN60,65(4WD)	2649	E2649	⌚ ⊙	48511-35260 48511-35510	48511-39455	R	2785	E2785 -----	○ ○	48531-35190 48531-35490	48531-39675
							L	2786		○ ○	48541-39025	
84/05~88/09	LN60,YN60V(4WD VAN)	2649	E2649	⌚ ⊙	48511-35260 48511-35510	48511-39455	R	2787	E2787	○ ○	48531-39695	
							L	2788	-----	○ ○	48541-39035	
85/08~98/07	LN61V,YN61V,4WD,VAN,SURF	3388	E3388	⌚ ⊙	48511-35280 48511-35460 48511-39565 48511-39716	48511-39635 48511-39715 48511-80062 48511-80065	R	2787	E2787	○ ○	48531-35450	48531-39895
							L	2788	-----	○ ○	48541-35070	48541-39055
88/09~	YN80,85,LN80,85	2857		⌚ ⊙	48511-39655	48511-39666					48531-39955	
88/09~	LN80,85,YN80,85	2726	E2726 ●EL2726	⌚ ○ ⌚ ⊗	48511-35190 48511-35210 48511-35520 48511-80089	48511-39685 48511-39695 48511-3D171					48531-39925	
88/09~	YN100,105,LN100,106,4WD	2857		⌚ ⊙	48511-39655	48511-39666	R	2858		○ ○	48531-80059	
							L	2859		○ ○	48541-39085	
88/09~91/08	LN100,106,YN100,105	2857		⌚ ⊙	48531-39655	48511-39666					48541-39185	48541-80108
88/08~97/08	RN106/135,LN/YN/RN107/110,LN108(4WD)	3388	E3388	⌚ ⊙	48511-35280 48511-35410 48511-35490 48511-35550 48511-39615 48511-39646 48511-39705 48511-80005	48511-35290 48511-35480 48511-35540 48511-35840 48511-39645 48511-39647 48511-39825	R		E2996	○ ○	48531-35500 48531-35710 48531-80081 48531-80665	48531-35522 48531-80062 48531-80112
							L		E2859	○ ○	48541-35020 48541-35092 48541-39105 48541-39186 48541-39227	48541-35040 48541-39085 48541-39185 48541-39215
89~	Sports wagon	3388	E3388 ●EL3531	⌚ ⊙ ⌚ ⊙	48511-35560 48511-39715 48511-80065	48511-39716 48511-80062						
89~97/08	LN105(4WD)	2857		⌚ ⊙	48511-35060 48511-39666	48511-39655			E2859	○ ○	48541-35020 48541-35080 48541-39085	48541-39185 48541-39186
	LN160/3L	3388	E3388	⌚ ⊙	48511-80052 48511-39716 48511-80065	48511-39715 48511-80062						
91/08~	LN107,YN107 SR				48511-39825					48531-80112	48541-39215	
91/08~	LN107,YN107 SSR				48511-39825					48531-80114	48541-39235	

○ Eying
⌚ Upper Bolt

⊙ Bushing
⌚ Lower Bolt

⊗ XPin Type Bushing
⌚ Suspension Strut

⌚ Coil Over Type
⌚ Strut Cartridge

MITSUBISHI
NISSAN
NISSAN DIESEL
PERODUA
PROTON
SUBARU
SUZUKI
TOYOTA

TOYOTA



YEAR	MODEL (Make-Name)	FRONT				REAR			
		TOKICO NO. OIL	TOKICO NO. GAS	⌄	OEM NO.	TOKICO NO. OIL	TOKICO NO. GAS	⌄	OEM NO.

HILUX(Continued)

91/08~	LN100,106,YN100		2857		⌄ ⊙	48531-39655	48511-39666					48531-80108	48541-39185
93/08~00/05	KZN130					48511-80086						48531-80102	
	RN135 4WD	R	2859		○ ○ ○	48531-80108		2946	●EL2888	○ ○		48531-80081	
	L		2858		○ ○ ○								
	RN135		2483		⌄ ○	48531-80325		2946	●EL2888	○ ○		48531-80081	
97/08~	LN145, LN150, RZN152		2726	E2726	⌄ ○	48511-39687 48511-80063	48511-80027					48531-04110 48531-80637	48531-3D070
97/08~	LN145(Double-Cabin), LN/ RZN147		2726	E2726	⌄ ○	48511-39687 48511-80063	48511-80027					48531-04060 48531-35410 48531-39857 48531-3D120 48531-80034 48531-80638 48531-80648	48531-04120 48531-35630 48531-3D100 48531-3D180 48531-80500 48531-80641
97/08~	LN165/170, RZN168/173		3388	E3388	⌄ ⊙	48511-80042 48511-80064	48511-3D180 48511-3D101	R	2966	E2966	○ ○	48531-80644 48531-80699	48531-35162 48531-3D061
		L						L	2786	E2786	○ ○	48541-04031 48541-35231 48541-39305	48541-39306 48541-39316
04/08~	GGN15, KUN1#, TGN1# for Australia, Philippines, Indonesia, Thailand, Gulf Council & General Countries	R				48510-09G90 48510-0K021	48510-0K050 48510-0K051					48531-09570 48531-0K010	48531-0K050 48531-0K050
	L					48520-09C70 48520-0K021	48520-0K050 48520-0K051					48531-0K270	
05/02~	KUN2# for Malaysia, Philippines, Thailand & General Countries					48510-09J90 48510-0K330	48510-0K140					48531-09550 48531-0K310	48531-0K140 48531-0K320
05/01~	KUN25 for Ecuador, Colombia					48510-09K90 48510-0K360	48510-0K180					48531-09640 48531-0K190	48531-09660 48531-0K200
05/07~	KUN35, TGN26/36 for Ecuador, Colombia					48510-0K350						48531-0K330	48531-0K340
81~83	Steering Damper(RN)		SD2001		⌄ ⊙	45700-35010 45700-35020	45700-35025 45700-39025						
84~88	Steering Damper(RN)		SD2007		⌄ ⊙	45700-35030	45700-39035						

HILUX SURF/4-RUNNER

89/08~95/11	LN130, LN131, YN130, VZN130 (4WD)		3388	E3388	⌄ ⊙	48511-35540 48511-35720 48511-35840	48511-39705 48511-39765 48511-80005			E3502	⌄ ○	48531-35750 48531-35780 48531-35820 48531-80083 48531-80088 48531-80089 48531-80091	48531-80091A 48531-80157 48531-80503 48531-80506 48531-80507 48531-80508 48531-80510
95/11~	RZN18#, VZN18#, PICKUP (Excl wide tire)			U3752	⌄	48510-35080 48510-39435 48510-39425	48510-39426 48510-35140 48510-35160			E2942	⌄ ○	48531-35880 48531-49065 48531-49085	48531-49125 48531-49075 48531-49095
95/11~02/11	2WD:210, 180 4WD:215, 185, 130 LN185W, KZN185W, RZN185W, VZN185W			U3752	⌄	48510-35050 48510-35070 48510-39405 48510-39406 48510-39426	48510-39715 48510-39775 48510-35140 48510-35160			E3740	⌄ ○	48531-35850 48531-3D221 48531-3D231 48531-80198 48531-80466	48531-80525 48531-80653 48531-80663 48531-80688 48531-80689
02/11~	GRN210/215, KZN215, 4WD Wagon			U3785	⌄	48510-35230 48510-60090 48510-69165 48510-80086	48510-35240 48510-60110 48510-69185 48510-80087			E3810	⌄ ⊙	48530-35070 48530-60060 48530-69165 48530-80087	48530-35080 48530-60090 48530-69195 48530-80088

HILUX VIGO/FORTUNER

04/08~	HILUX VIGO 2WD	R		U3773	⌄	48510-0K020				E3775	○	48531-0K010	
		L		U3774	⌄	48520-0K020					○		

○ Eying
⌄ Upper Bolt

⊙ Bushing
⌄ Lower Bolt

⊗ XPin Type Bushing
⌄ Suspension Strut

⌄ Coil Over Type
⌄ Strut Cartridge

TOYOTA



YEAR	MODEL (Make-Name)	FRONT				REAR			
		TOKICO NO. OIL	GAS	⊕	OEM NO.	TOKICO NO. OIL	GAS	⊕	OEM NO.

HILUX VIGO/FORTUNER(Continued)

04/08~	HILUX VIGO 4WD		U3768	⊕	48510-0K100	48510-0K140		E2979	○	48531-0K100	48531-0K120
					48510-0K190	48510-0K410			○	48531-0K131	48531-0K140
04/08~	FORTUNER 4WD,TGN51		U3768	⊕	48510-0K100	48510-0K140		E3599	⊥	48531-0K230	
					48510-0K190	48510-0K410			○		
					48510-09J40						

IPSUM/AVENSIS VERSO

96/09~01	SXM1#,CXM1#	R			48510-44011	48510-49046				48531-44020	48531-44040
		L			48520-44011	48520-49046				48531-49115	48531-49175
01/05~	ACM2#,CLM2#	R			48510-44180	48510-44200				48530-44030	48530-44040
					48510-49305	48510-49315				48531-44070	48531-44080
					48510-49325	48510-49585				48531-44120	48531-49225
					48510-49605	48510-49725				48531-49235	48531-49295
					485104-9735	48510-49745				48531-49315	
				48510-49755	A094344044						
		L			48520-44180	48520-44200					
			48520-49415	48520-49425							
			48520-49435	48520-49645							
			48520-49665	48520-49805							
			48520-49815	48520-49825							
				A094344045							

IST

07/07~08/04	ZSP110	R			48510-80379	48510-52E00				48530-80437	48530-52E10
		L			48520-59445	48520-52280					
07/07~	NCP110	R	B3293	⊕	48510-80377	48510-52D90				48530-80435	48530-52E00
		L	B3294	⊕	48520-59425	48520-52270					
07/07~	NCP115	R	B3281	⊕	48510-80378	48510-52E10				48530-80436	48530-52E40
		L	B3282	⊕	48520-59435	48520-52290					
08/04~	ZSP110	R			48510-80377	48510-52D90				48530-80437	48530-52E10
		L			48520-59425	48520-52270					

KIJANG CAPSUL

97~			2612		⊥	48500-0B020	48500-09020	20002		○	48531-0B090	48531-09170
					⊗					○		

KIJANG GRAND EXTRA

			2612		⊥	48500-0B020	48500-09020	20002		○	48531-0B090	48531-09170
					⊗					○		

KIJANG INNOVA

04~		R	U3773	⊕	48510-0K080			E3796	⊥	48531-0K210	
		L	U3774	⊕	48520-0K080				○		

KIJANG SUPER

77~			E3438		⊥				E3455	○	48531-27210
					⊗					○	

KIJANG/TAMARAW

77~			1140		⊥	48511-29065	48511-27010				
					T						

LAND CRUISER

69/03~84/10	FJ43,BJ43,FJ40,BJ40,BJ4 (Capacity:250,350kg) BJ41,V,42,V(Capacity:400kg) BJ44,V,46,V(Capacity:500kg)		3178	E3178	○	48511-69035	48511-69075	3037	E3435	○	48531-69046	48531-69047
					○	48511-69036	48511-69045			○	48531-69055	48531-69057
					○					○	48531-69075	
					○					○		
69/03~71/04	FJ55		3150		⊥			3068	E3344	○	48531-69045	
					○					○		
					○					○		
					○					○		

○ Eying
⊥ Upper Bolt

⊙ Bushing
T Lower Bolt

⊗ XPin Type Bushing
⊕ Suspension Strut

⊕ Coil Over Type
⊔ Strut Cartridge

TOYOTA



YEAR	MODEL (Make-Name)	FRONT				REAR			
		TOKICO NO. OIL	TOKICO NO. GAS	⊕	OEM NO.	TOKICO NO. OIL	TOKICO NO. GAS	⊕	OEM NO.

LAND CRUISER(Continued)

69/03~75/01	FJ40,BJ40	3178	E3178 ●EL3178	⊕ ○ ○ ○	48511-69035	48511-69036		3068	E3344 ●EL3344	⊕ ○ ○ ○	48531-69045	
71/04~80/08	FJ5	3150		⊕ ○	48511-69046	48511-69047		3037	E3435 ●EL3037	⊕ ○ ○ ○	48531-69056	48531-69057
80/08~87/08	BJ60V,61V,HJ60V,61V BJ60V,61V,FJ60V,61V,62V, BJ61,HJ60,FJ62	3313	●EL3313	⊕ ○	48511-69065 48511-69066	48511-69055		3037	E3435 ●EL3037	⊕ ○ ○ ○	48531-69065 48531-60081	48531-69066
84/11~87/08	FJ75,HJ75,FJ75							3375	E3375	⊕ ○ ○	48531-60110	68531-69155
84/11~87/08	BJ70,70V,71V,73V,74V	3373	E3373 ●EL3373	⊕ ○ ⊕ ○	48511-60090	48511-60120		3374	E3374	⊕ ○	48531-60140	48531-69135
84/11~87/08	BJ70,LJ70,RJ70,LJ71G	3393		⊕ ○ T	48511-60100 48511-60130	48511-69106 48511-60140	R	3394	●E3394	⊕ ○	48531-60120 48531-69145 48531-69146	48531-69147 48531-60010
							L	3401	●E3401	⊕ ○	48541-60010 48541-69057	48541-69055
84/11~87/08	BJ75(Leaf Spring Suspension)				48511-60090 48511-69125	48511-60120 48511-69165					48531-60110	48531-69155
87/08~90/01	BJ75(Leaf Spring Suspension)	3373		⊕ ○	48511-60170	48511-69175					48531-60110 48531-69156	48531-60210 48531-69216
85~	BJ60,FJ60							3037	●EL3314	⊕ ○	48531-60080	
85/10~87/08	BJ60,HJ60,61,FJ60,62	3313		⊕ ○	48511-60060 48511-69055 48511-69067	48511-60071 48511-69066	R	3415		⊕ ○	48531-60160	48531-69085
							L	3416		⊕ ○	48541-60020	48541-69015
85/10~87/08	HJ60/61,FJ62 (WGG;G Type Without 10R15-6Tire)	3313		⊕ ○	48511-60071 48511-69067	48511-69066	R	3415		⊕ ○	48531-60160	
							L	3416		⊕ ○	48541-60020	
85/10~87/08	HJ60/61,FJ62 (WGG;G Type With 10R15-6Tire)	3313		⊕ ○	48511-60071 48511-69067	48511-69066		3416		⊕ ○	48531-60170 48531-69096	48531-69095
87/08~90/01	HJ60(GX)				48511-69095	48511-69096		3401		⊕ ○	48531-60105 48541-69025	48531-69106 48541-69026
87/08~90/01	HJ60(STD),FJ62(CBU,CBR)				48511-69095	48511-69096		3401		⊕ ○	48531-69115 48541-69035	48531-69116 48541-69036
87/08~90/01	FJ62(IV4),FJ62,HJ61(VX)						R		E4129	⊕ ○	48531-69125	48531-69126
							L		E4130	⊕ ○	48541-69045	48541-69046
86/07~	FJ75	3373	E3373	⊕ ○	48511-69165			-----			48531-60180	48531-69185
87/08~	BJ70,70V,71V,73V,74V	●3694 3373		⊕ ○ ⊕ ○	48511-69175			●3695		⊕ ○ ○ ○	48531-69136	
								3374				
87/08~90/01	LJ71				48511-69106	48511-69108	R	3394		⊕ ○	48531-69146	48531-69148
							L	3401		⊕ ○	48541-69056	48541-69058
90/01~91/08	HZJ77,PZJ70,HZJ73,PZJ77				48511-69345			3710		⊕ ○	48531-69295	

○ Eying
⊕ Upper Bolt

⊙ Bushing
T Lower Bolt

⊗ XPin Type Bushing
⊞ Suspension Strut

⊞ Coil Over Type
⊞ Strut Cartridge

TOKICO SHOCK ABSORBERS

NUMERICAL LISTING

TOYOTA



YEAR	MODEL (Make-Name)	FRONT				REAR			
		TOKICO NO. OIL	GAS	⌚	OEM NO.	TOKICO NO. OIL	GAS	⌚	OEM NO.

LAND CRUISER(Continued)

90/06~96/04	FJ75,HZJ75,FJ75	3711		⌚ ○	48511-69355	48511-69365	R	3484		○	48531-69385	
					48511-60171	48511-69356	L	3483		○	48531-69395	
90~96	RJ70,73,LJ70,73 KZJ70,73 KZJ71,78 LX		E3721	⊙ T	48511-60250	48511-69315		E4098	○	48531-60280	48531-69455	
90~96	RJ70,73,LJ70,73 KZJ70,73		E3721	⊙ T	48511-60250	48511-69315		E4088	○	48531-60290	48531-69315	
90/01~96/04	HZJ70/73,PZJ70/73		3709	⌚ ○	48511-69265			3710	○	48531-69295		
92/08~98/01	HZJ81		E4096	⌚ T	48511-69385			E4098	○	48531-69445		
91/08~	FJ80		E4057	⌚ T	48511-69180	48511-69185		E4058	⌚ ○	48531-69245	48531-69255	
91/08~	FJ80		E4083	⌚ T	48511-69205	48511-69255		E4084	⌚ ○	48531-69275	48531-69285	
96/05~98/01	FJ80		E4096	⌚ T	48511-69388	48511-69435		E4097	⌚ ○	48531-60431	48531-69418	
90/01~92/01	FJ80,HDJ80,HZJ80 Without 5.50FX15 or 7JXX15 Disc Wheel		E4057	⌚ T	48511-60180	48511-60181		E4058	⌚ ○	48531-60240	48531-60370	
90/01~92/01	FJ80,HDJ80,HZJ80 With 5.50FX15 or 7JXX15 Disc Wheel or With Sand Tire		E4083	⌚ T	48511-60200	48511-60201		E4084	⌚ ○	48531-20261	48531-20270	
92/01~98/01	FJ80,HDJ80,HZJ80 incl. 5.50FX15 or 7JXX15 Disc Wheel		E4096	⌚ T	48511-60390	48511-60391	R	E4097	⌚ ○	48531-60540	48531-69416	
96/04~02/10	KZJ90/VZJ90/VZJ95		U3752	⊕	48510-60040	48510-69045		●EL3740	⌚	48531-69495	48531-69505	
92/09~93/08	FJ80				48510-60060	48510-69085		E3740	⌚	48531-69526		
91/08~96/07	PZJ7#		E4096	⌚ T	48510-60070	48510-69086			○	48531-60380	48531-69255	
90/01~91/08	HZJ73,HZJ77				48510-69095	48511-69365		E4058	⌚ ○	48531-60396	48531-69295	
91/08~99/08	HZJ73		E4096	⌚ T	48511-69348	48511-69346		3710	○	48531-60340	48531-69295	
91/08~96/08	HZJ77		E4096	⌚ T	48511-69347	48511-69345		3710	○	48531-69296	48531-69295	
96/08~99/08	HZJ77		E4096	⌚ T	48511-69348	48511-69346			○	48531-60340	48531-69295	
93/05~99/08	HZJ70		E4096	⌚ T	48511-69348	48511-69346		3710	○	48531-69296	48531-69295	
98/01~02/06	FZJ/HDJ/UZJ100;independent Front Axle,Excl Active Height Control		E4108	⌚ ⊙	48511-69565	48511-60490	R	E4109	⌚	48531-69775	48531-69685	
					48511-60500	48511-60510			⊙			
					48511-60550	48511-69455						
					48511-69456	48511-69457						
					48511-69465	48511-69466	L	E4110	⌚	48531-69715	48531-69695	
					48511-69467	48511-69476			⊙			
					48511-69477	48511-69515						

○ Eying
⌚ Upper Bolt

⊙ Bushing
T Lower Bolt

⊗ XPin Type Bushing
⊕ Suspension Strut

⊕ Coil Over Type
⌚ Strut Cartridge

MITSUBISHI
NISSAN
NISSAN DIESEL
PERODUA
PROTON
SUBARU
SUZUKI
TOYOTA

TOYOTA



YEAR	MODEL (Make-Name)	FRONT				REAR			
		TOKICO NO. OIL	GAS	⌄	OEM NO.	TOKICO NO. OIL	GAS	⌄	OEM NO.

LAND CRUISER(Continued)

98/01~	FZJ/HZJ105;Rigid Front Axle		E4096	⌄ T	48511-60481	48511-69436		E4097	⌄ O	48531-60541	48531-69536
98/10~	FZ/HZ105,4WD Wagon with Rigid Front Sus.							E4097	⌄ O	48531-60541	
99/08~01/08	HZJ78		E4120	⌄ T	48511-60520 48511-60540 48511-69495 48511-60541	48511-60530 48511-69485 48511-69505 48511-69645		E4118	O O	48531-60610	48531-69625
99/08~01/08	HZJ79		E4120	⌄ T	48511-60520 48511-60540 48511-69495 48511-60541	48511-60530 48511-69485 48511-69505 48511-69645		E4119	O O	48531-60630	48531-69645
99/08~04/01	HZJ76		E4120	⌄ T	48511-69645 48511-50540	48511-69505		E4132	O O	48531-69655	
99/08~04/08	HZJ71,HZJ74		E4120	⌄ T	48511-69645 48511-69540	48511-69505		E4131	O O	48531-69615	48531-60600
04/11~	100# Exc.AHC JAPAN/USA Model Regular Model		E4108	⌄ ⊙	48511-69467 48511-59477 48511-59545 48511-69555 48511-60512 48511-60481 48511-60490 48511-60492	48511-69457 48511-69565 48511-69525 48511-69585 48511-69625 48511-69466 48511-60491		E4109	⌄ ⊙	48531-69685 48531-60682 48531-60680	48531-69775 48531-69835 48531-60681
04/11~	100 Exc.AHC JAPAN/USA Model Hard SUS. Model		E4108	⌄ ⊙	48511-69467 48511-59477 48511-59545 48511-69555 48511-60512	48511-69457 48511-69565 48511-69525 48511-69585		E4110	⌄ ⊙	48531-69695 48531-69705 48531-69715 48531-69735 48531-59765	48531-60712 48531-69825 48531-69795 48531-69755
07/09~09/05	UZJ200		U4127	⌄ ⊙	48510-60170 48510-69365 48510-69405	48510-69395 48510-69335		E4133	⌄ ⊙	48530-60110	48530-69435
81~90	Steering Damper(FJ60)	SD2008		⊙	45700-60020	45700-69025					
69~84	Steering Damper(FJ55,BJ41)	SD3001		⊙	45700-60010 45700-60011 45700-60012	45700-60013 45700-69015					
90/01~96/04	RJ70/73,LJ70/73/77, KZJ70/73/77		E3721	⊙ T	48511-60220 48511-69285 48511-69315 48511-69325 48511-69406	48511-60230 48511-69295 48511-69316 48511-69405		E4098	O T	48531-60280 48531-69325 48531-69355 48531-69365 48531-69455	48531-60290 48531-69335 48531-69356 48531-69366 48531-69456

LAND CRUISER PRADO

96/04~02/08	KZJ90/95,VZJ90/95		U3752	⌄ ⊙	48510-60040 48510-60070 48510-69085 48510-69095	48510-60060 48510-69065 48510-69086		E3740	⌄ O	48531-60500 48531-60502 48531-60532 48531-60591 48531-69495 48531-69497 48531-69525 48531-69527 48531-69605 48531-69607	48531-60501 48531-60510 48531-60580 48531-60592 48531-69496 48531-69505 48531-69526 48531-69595 48531-69606
02/09~	GRJ/KZJ/LJ/RZJ120(4WD)		U3785	⌄ ⊙	48510-60100	48510-69175		E3811	⌄ ⊙	48530-60080	48530-69175
02/09~	GRJ/KZJ/LJ/RZJ125(4WD)		U3785	⌄ ⊙	48510-35230 48510-60090 48510-69165 48510-80086	48510-35240 48510-60110 48510-69185 48510-80087		E3810	⌄ ⊙	48530-35070 48530-60060 48530-69165 48530-80087	48530-35080 48530-60090 48530-69195 48530-80088

⊙ Eying
⌄ Upper Bolt

⊙ Bushing
T Lower Bolt

⊗ XPin Type Bushing
⌄ Suspension Strut

⌄ Coil Over Type
⌄ Strut Cartridge

TOKICO SHOCK ABSORBERS

NUMERICAL LISTING

TOYOTA



YEAR	MODEL (Make-Name)	FRONT				REAR			
		TOKICO NO. OIL	GAS	⌚	OEM NO.	TOKICO NO. OIL	GAS	⌚	OEM NO.

LEXUS

98~	LEXUS 134W(910),134W ST11		E3388	⌚ ⊙	48511-80005			E3502	⌚ ○	48531-80091
-----	---------------------------	--	-------	--------	-------------	--	--	-------	--------	-------------

LIGHT ACE

70/11~79/09	KM10,11		2092	●EL2092 ⌚ ⊗	48500-29075			2186	E2186 ----- ○	48531-29165 48531-29166
79/10~86/09	KM20V,21V,YM20V,CM20V KM20,21,CM20		2612	----- ⌚ ⊗	48500-29255 48500-29245			2048	E2048 ○ ○	48531-29665 48531-80015 48531-29645 48531-29656 48531-27070 48531-80019 48531-27080
79/10~86/09	TM20G,YM21G,CM20G(Wagon) KM20(Truck,Double Tire)		2612	----- ⌚ ⊗	48500-29255 48500-29245			2254	○ ○ ○	48531-29665 48531-29655
85/09~	KM30G(XL7,Super Casual,GXL, FXV),YM30G CM30G(SW,DX), KM31V		2713	E2713 ⌚ ⊗	48500-27060 48500-29345			E2806	○ ○ T	48531-27140 48531-80275 48531-27130 48531-80270 48531-27190 48531-80290
85/09~	KM35V(DX),KM36V(DX,Super) ●●Just-Low,CM35V,CM36V(DX)		2713	E2713 ⌚ ⊗	48500-27060 48500-29345			E2808	○ ○ T	48531-27110 48500-29345
85/10~	C/M41V,YM40G,CM40G(Wagon)		-----		48500-27110			E2807	○ ○ T	48531-27180 48531-27150

MASSY DYNA

75/02~80	EC20,EC22,EC23		3253	⌚ ○	48511-39175					
----------	----------------	--	------	--------	-------------	--	--	--	--	--

MASTER ACE·SURF

82/11~84/08	YR20G,21G,CR21G(Wagon)		2713	E2713 ⌚ ⊗	48500-29275 48500-29276			E2714	⌚ ○	48531-28060 48531-80016
84/08~	YR20G,(DX,Middle Roof of Touring),YR21G(Touring S), CR21G(DX),(Wagon)		2713	E2713 ⌚ ⊗	48500-29276 48500-29315 48500-28110			E2827	⌚ ○	48531-28110 48531-80048 48531-28130 48531-80052 48531-28160
85/08~	YR28G,CR28G		2713	E2713 ⌚ ⊗	48500-28110 48500-29315			2820	○ ○	48531-80018

OPA

00/04~04/08	ZCT10	R	B2294	⌚	48510-69135 48510-63010					48530-69136 48530-69245
		L	B2295	⌚	48520-69015					48530-63010
04/08~05/04	ZCT10	R	B2294	⌚	48510-69135 48510-63010					48530-69275 48530-63011
		L	B2295	⌚	48520-69015					

PREMIO/ALLION

01/12~	AZT240(2WD)2000L VVT-I for Right Hand Vehicle	R	B3232	⌚	48510-2B320 48510-80058					48530-80132 48530-2B790
		L	B3233	⌚	48520-29595 48520-2B320					48530-80067
07/05~08/08	NST260	R	B3291	⌚	48510-80375 48510-20A40					48530-80433 48530-20A20
		L	B3292	⌚	48520-80138 48520-20A40					
07/05~	ZRT260,261	R	B3291	⌚	48510-80375 48510-20A40					48530-80433 48530-20A20
		L	B3292	⌚	48520-80138 48520-20A40					
07/05~	ZRT265	R	B3291	⌚	48510-80376 48510-20A50					48530-80434 48530-20A30
		L	B3292	⌚	48520-80139 48520-20A50					
07/05~	NZT260	R	B3291	⌚	48510-80386 48510-20A30					48530-80433 48530-20A20
		L	B3292	⌚	48520-80145 48520-20A30					

PRIUS

97/12~03/08	NHW11.10	R			48510-49145 48510-49225					48530-49105 48530-49106 48530-49185 48530-49186 48530-47020
		L			48520-49145 48520-49335					
03/08~04/08	HNW20	R			48510-49495 48510-47040					48530-49385 48530-47030
		L			48520-49575 48520-47040					
04/08~05/03	HNW20	R			48510-49495 48510-47040					48530-49695 48530-47030
		L			48520-49575 48520-47040					
05/03~05/11	HNW20	R			48510-80274 48510-47041					48530-49715 48530-47031
		L			48520-80064 48520-47041					

○ Eying
⌚ Upper Bolt

⊙ Bushing
T Lower Bolt

⊗ XPin Type Bushing
⌚ Suspension Strut

⌚ Coil Over Type
⌚ Strut Cartridge

TOYOTA



YEAR	MODEL (Make-Name)	FRONT				REAR			
		TOKICO NO. OIL	GAS	⌘	OEM NO.	TOKICO NO. OIL	GAS	⌘	OEM NO.

PRIUS(Continued)

03/08~05/11	HNW20..T,P	R			48510-49505	48510-47050				48530-49395	48530-47040
		L			48510-80274	48510-47041					
05/11~09/03	HNW20..G	R			48520-49585	48520-47050				48530-49715	48530-47031
		L			48520-80064	48520-47041					
05/11~09/03	HNW20..G . L	R			48510-80274	48510-47041				48530-49735	48530-47041
		L			48520-80064	48520-47041					
05/11~	HNW20..S	R			48510-80274	48510-47041				48530-49715	48530-47031
		L			48520-80064	48520-47041					
09/04~09/05	ZVW30..L	R			48510-80489	48510-47170				48530-80531	48530-47070
		L			48520-80229	48520-47170					
09/05~	ZVW30..L	R			48510-80491	48510-47180				48530-80531	48530-47070
		L			48520-80231	48520-47180					
09/04~	ZVW30..G,S . P,T,L	R			48510-80488	48510-47090				48530-80533	48530-47080
		L			48520-80228	48520-47090					
09/04~	ZVW30..G,S without P,T,Ltype	R			48510-80491	48510-47180				48530-80532	48530-47090
		L			48520-80231	48520-47180					

PUBLICA

69/11~79/07	KP36,37(Truck)		S1005	●Z1005	⌘	48510-11010	48520-11010		2262		⊗ ○	48531-19095
72/01~78	KP30,31,50 (Incl.XL)		S1005	●Z1005	⌘	48510-10012	48520-10012		●2260	-----	⊗ ○	48531-19077 48531-19196
						48510-10032	48520-10032					
72/01~78/09	KP36V,KP37V(Van)		S1005	●Z1005	⌘	48510-11010	48520-11010		1074		⊗ ○	48531-19086
79/07~	KP38,39(Truck)		S1005	●Z1005	⌘	48510-11010	48520-11010		2262		⊗ ○	48531-19095

RAUM

97/05~03/04	EXZ10	R		B2188	⊕	48510-46010	48510-49095			U2940	⊕	48530-46010	48530-49085
		L		B2189	⊕	48520-46010	48520-49095						
03/04~	NCZ20			B2296	⊕	48510-49465	48510-46030					48530-49355	48530-46030
03/04~	NCZ20 with alloy wheel			B2297	⊕	48510-49475	48510-46040					48530-49365	48530-46040
03/04~	NCZ25			B2244	⊕	48510-49485	48510-49050					48530-49375	48530-46050

RAV-4

94/04~98/01	SXA10G,SXA11G			Z3155	⌘	48510-49015	48520-49015			E2942	⊥ ○	48531-49075 48531-49066	48531-49076
98/01~00/05	SXA10G,SXA11G,SXA15G, SXA16G Excl 235/60-16 TIRE	R		B3283	⊕	48510-49016	48510-49026			E2942	⊥ ○	48531-49075 48531-49275	48531-49076
		L		B3284	⊕	48520-49016	48520-49026						
96/08~00/05	SXA10G(3Door) with 235/ 60-16 TIRE	R		B3283	⊕	48510-49016				E2942	⊥ ○	48531-42051	
		L		B3284	⊕	48520-49016	48520-49027						
96/08~00/05	SXA11G(5Door) with 235/ 60-16 TIRE	R		B3283	⊕	48510-49065	48510-49066			E2973	⊥ ○	48531-42061	
		L		B3284	⊕	48520-49065	48520-49066						
00/05~	ACA20/21(2000,3/5Door) , ZCA25/26(1800,3/5Door)	R		B3285	⊕	48510-42060	48510-42061			E2942	⊥ ○	48531-42090 48531-42100 48531-49275	48531-49205 48531-49215
		L		B3286	⊕	48520-42060	48520-42061						
						48520-42070	48520-42110						
						48520-49305	48520-49315						
						48520-49525	48520-49595						
						48520-49605	48520-49695						
						48520-49765							

○ Eyering
⊥ Upper Bolt

⊙ Bushing
⊥ Lower Bolt

⊗ XPin Type Bushing
⊕ Suspension Strut

⊕ Coil Over Type
⌘ Strut Cartridge

TOYOTA



YEAR	MODEL (Make-Name)	FRONT					REAR				
		TOKICO NO. OIL	GAS		OEM NO.		TOKICO NO. OIL	GAS		OEM NO.	

RAV-4(Continued)

01/05~	CLA20(2000TD,3 Door)	R		B3285	☒	48510-42090	48510-42091			E2942	⊥	48531-42090	48531-49205
		L		B3286	☒	48510-49365	48510-49715				○		
01/05~	CLA21(2000TD,5 Door)	R		B3285	☒	48520-42090	48520-42091			E2942	⊥	48531-42100	48531-49215
		L		B3286	☒	48520-49475	48520-49785				○		
04~	ACA#,ZCA# for USA	R		B3285	☒	48510-42100	48510-49375			E2942	⊥	48531-42120	48531-49285
		L		B3286	☒	48510-49535					○		
05/11~	ACA 3#	R		B3245	☒	48520-49615				E3824	⊙	48531-42130	
		L		B3246	☒	48510-42160	48510-42300				⊙		
07/06~	ACA3#, GSA3#	R		B3245	☒	48510-42170	48510-80284						
		L		B3246	☒	48510-42180	48510-80285						
						48510-42190	48510-80287						
						48510-42200							
						48520-42160	48520-42300						
						48520-42170	48520-80071						
						48520-42180	48520-80072						
						48520-42190	48520-80074						
						48520-42200							
						48510-80366	48510-42300					48531-42220	
						48520-80130	48520-42300						

SPRINTER CARIB

82/08~84/08	AL25G		S1087	●Z1087	☒	48510-16070	48510-16150		2744	-----	⊥	48531-80010	
											○		
84/08~88/01	AL25G(AV1)					48510-16151	48510-16250		2744	-----	⊥	48531-16101	48531-80054
											○	48531-16240	
84/08~88/01	AL25G(AV2)					48510-16161	48510-16260		2744	-----	⊥	48531-16180	48531-80036
											○		
97/05~00/08	AE114/AE115/CE114(4WD)	R				48510-19455	48510-87692	R		B2267	☒	48530-1A220	48530-80008
		L				48510-19785	48510-87703	L		B2268	☒	48530-12760	48530-19705
						48510-87693	48510-19475					48530-1A100	48530-19735
												48530-1A170	
						48520-19175	48520-49275					48540-1A160	48540-19255
						48520-19465	48520-49216					48540-12700	48540-19155
						48520-49276	48520-19195					48540-1A100	48540-19175
												48540-1A110	

STARLET

73~78/01	KP40,42,45,47,51 All		●S1006	-----	☒	48510-10040	48510-10050		2207	●G2207	⊥	48531-19108	
											⊙		
78/02~84/10	KP61		S1045	●Z1045	☒	48510-10060	48520-10040			●G1132	⊥	48531-19495	48531-19687
						48510-10070	48520-10050				○	48531-19505	48531-19688
						48510-10080	48520-10060			E1132	⊥	48531-19675	
						48510-10090	48520-10070				○	48531-19676	
						48510-10100	48520-10080				○	48531-19685	
						48510-10110	48520-10090					48531-19686	
78/10~84/10	KP61V(Van),KP62V(Van)		S1045	●Z1045	☒	48510-10060	48520-10040		●1146		⊥	48531-19555	
						48510-10080	48520-10060				○		
						48510-10100	48520-10080						
84/10~89/12	EP71,EP76V(Van) NP70,NP76V***(Diesel,Van)		S1088	Z1106	☒	48510-10120	48520-10100			U1172	☒	48530-10010	
						48510-10130	48520-10110						48530-10030
						48510-10131	48520-10111						48530-10050
						48510-10140	48520-10140						
						48510-10141	48520-10141						
						48510-10160	48520-10140						
						48510-10161	48520-10141						
						48510-10170	48520-10150						
						48510-10171	48520-10151						
						48510-12020	48520-10120						
						48510-12030	48520-10130						
				48510-12031	48520-10131								

○ Eyering
⊥ Upper Bolt

⊙ Bushing
⊥ Lower Bolt

⊗ XPin Type Bushing
☒ Suspension Strut

☒ Coil Over Type
☒ Strut Cartridge

TOYOTA



YEAR	MODEL (Make-Name)	FRONT				REAR			
		TOKICO NO. OIL	TOKICO NO. GAS		OEM NO.	TOKICO NO. OIL	TOKICO NO. GAS		OEM NO.

STARLET(Continued)

87/12~89/12	EP71	S1088	Z1106		48510-10160 48510-10161 48510-10171 48510-10170	48520-10140 48520-10141 48520-10151 48520-10150		U1193		48530-10051	
89/12~96/01	EP80,EP81,EP82,NP80							U2940		48530-10300 48530-10310 48530-10330 48530-10340	48530-10070 48530-10080 48530-10090 48530-10110
96/01~00	EP91	R	B2188		48510-10300 48510-10320 48510-10330 48510-10350 48510-10370	48510-10390 48510-19515 48510-19545 48510-19865 48510-19885		U2940		48530-10290 48530-10370 48530-10380 48530-10390 48530-10400	48530-19596 48530-19725 48530-19726 48530-19745 48530-19746
		L	B2189		48520-10280 48520-10300 48520-10310 48520-10330 48520-10350	48520-10370 48520-19325 48520-19265 48520-19545 48520-19565	48530-19565 48530-19566 48530-19575 48530-19576 48530-19586 48530-19595			48530-19755 48530-19765 48530-19775 48530-19785 48530-19795 48530-19875	

STOUT

60~74/08	RK45,RK45(V.P.B)47,1K100 (V.P.B),101,RK101	2157			48511-39055	48511-39145		3004		48531-69015	48531-69016
63~69	RK40,RK43(LIGHT STOUT)	2092	●EL2092		48500-39015			3004		48531-69015	
74/08~79/02	RK101	2509			48511-39146			3004		48531-69015	48531-69016
79/03~86/03	RK101,111	2583			48511-39255			3068	E3344 ●EL3344	48531-39365	

TERCEL/CORSA

78/08~82/05	AL10,11,12	S1052	●Z1052		48510-16010 48510-16020	48510-16021		1139		48531-19535	48531-19735
										48531-19625	

TERCEL/CORSA/COROLLA II

82/05~86/05	AL20,21	S1081	-----		48510-16040	48510-16130	R	B1031		48530-16010	48530-16042
					48510-16050	48510-16131	48530-16011			48530-16051	
					48510-16120	48510-16230	48530-16030			48530-16H00	
					48510-16121	48510-16270	48530-16031				
84/08~86/04	AL25(4WD)	S1087	●Z1087		48510-16150	48510-16250				48531-16101	
					48510-16151		48531-80054				
86/05~88/05	AL25(Excl.SX,VS)	S1087	●Z1087		48510-16250					48531-16240	
86/05~90/09	EL30,31(Excl.TEMS TYPE),NL30		Z1106		48510-16180	48520-16020		U2834		48530-16080	
					48510-16200	48520-16040	48530-16081				
					48510-16280	48520-16060	48530-16130				
					48510-16281	48520-16061					
87/01~90/09	EL30,ES31(SX),EL31	R	B2188		48510-16280		U2940		48530-16380	48530-16431	
		L	B2189		48520-16281	48530-16390			48530-16450		
90/09~95/08	EL40	R	B2186		48510-16372		U2926		48530-16400	48530-16460	
		L	B2187		48520-16152	48530-16410			48530-16490		

○ Eyeing
⊥ Upper Bolt

◎ Bushing
⊥ Lower Bolt

⊗ XPin Type Bushing
⊥ Suspension Strut

⊥ Coil Over Type
⊥ Strut Cartridge

TOYOTA



YEAR	MODEL (Make-Name)	FRONT					REAR				
		TOKICO NO. OIL	GAS	⌚	OEM NO.	TOKICO NO. OIL	GAS	⌚	OEM NO.		

TERCEL/CORSA/COROLLA II (Continued)

95/08~99/07	EL50	R		B2188	⌚	48510-16620	48510-19395		U2927	⌚	48530-16530
						48510-19355	48510-19396				
						48510-19356	48510-19485				
						48510-19365	48510-19486				
						48510-19375	48510-19495				
		L	B2189	⌚	48520-19485	48520-19115					
					48520-19075	48520-19116					
					48520-19076	48520-19205					
					48520-19085	48520-19206					
					48520-19095	48520-19215					

TOWN ACE

76/10~82/10	TR11,15		●2470		⌚	48500-29185	48500-29265	2048	E2048	○	48531-29335	48531-29325
					⊗					○	48531-29875	
79/11~82/10	RR11,21(Just-Low)		●2470		⌚	48500-29205		2619	E2619	○	48531-29675	
					⊗				●EL2619	○		
82/11~84/05	YR20G,21G,CR21G(Wagon)		2713	E2713	⌚	48500-29275				○	48531-28060	48531-80016
					⊗					○		
82/11~86/09	KM21,CM20(Just-Low w/Cab Model Double Tire w/o Tail Gate Model),YM25,CM25		2612	-----	⌚	48500-29245				○	48531-80019	
					⊗					○		
82/11~86/09	KM21,CM20(Truck,Double Tire)		2612	-----	⌚	48500-29245		2048	E2048	○	48531-29656	48531-29665
					⊗					○	48531-29645	
82/11~85/08	YR26V,CR26V(DX),KR26V(Van)		2713	E2713	⌚	48500-29285	48500-29286	2820		○	48531-28080	48531-80018
					⊗					○		
84/05~84/08	YR20G,21G,CR21G(Wagon)		2713	E2713	⌚	48500-29276			E2714	⌚	48531-28060	48531-80016
					⊗					○		
84/05~	YR20G,21G,CR21G		2713	E2713	⌚	48500-29276	48500-28110		E2827	⌚	48531-28110	48531-28160
					⊗	48500-29315				○	48531-28130	48531-80052
					⊗					○	48531-80048	
82/11~85/08	YR26V,CR26V,27V(GL),(Van)		2612	-----	⌚	48500-29295	48500-29296	2820		○	48531-28080	48531-80018
					⊗					○		
85/08~	YR20G,21G,CR21G(Anti-Cold Spec.)(Wagon)		2713	E2713	⌚	48500-28110	48500-29315		-----		48531-28170	
					⊗							
85/08~	YR26V,CR26V(DX),KR26V*** Van,YR28G,CR28G(Wagon)		2713	E2713	⌚	48500-28110	48500-29315	2820		○	48531-28080	48531-80018
					⊗					○		
85/08~	YR26V,CR26V,27V(GL)***Van		2612	-----	⌚	48500-28120	48500-29325	2820		○	48531-28080	
					⊗					○		
85/10~93/02	CR36,CR37,YR38(4WD)			E2819	⌚	48500-28090	48500-29335				48531-28200	48531-28280
					⊗							
85/10~93/02	YR31,CR31(4WD)			E2819	⌚	48500-28090	48500-29335				48531-28180	48531-28230
					⊗							
86/10~87/11	KM50,51,55,CM50,55 (Super Single Justlow)					48500-27120	48500-29365				48531-27230	48531-80300
86/10~87/11	KM50,51,CM50,51,(Excl.Super Single Justlow)					48500-27120	48500-29365				48531-27160	
86/11~87/11	YM60,CM60,CM65					48500-27130					48531-27240	
87/11~	KM50,51,CM50,55(Super Single Justlow)					48500-29365					48531-80300	
87/11~	KM50,51,CM50,51(Excl.Super Single Justlow)					48500-29365					48531-80295	
87/11~	YM60,CM60,CM65					48500-29375					48531-80305	

TOWN ACE NOAH/LIGHT ACE NOAH/SPACIA

96/10~01/11	CR40/41/42G/KR41/42/43/SR40/43G(2WD)					48500-29655			E2975	○	48531-80560	
						48500-29665				⊗		
						48500-29705						
96/10~01/11	CR50/51/52G/SR50G(4WD)					48500-29675					48531-80562	
						48500-29685						
						48500-29715						

○ Eying
⌚ Upper Bolt

⊗ Bushing
⌚ Lower Bolt

⊗ XPin Type Bushing
⌚ Suspension Strut

⌚ Coil Over Type
⌚ Strut Cartridge

MITSUBISHI
NISSAN
NISSAN DIESEL
PERODUA
PROTON
SUBARU
SUZUKI
TOYOTA

TOYOTA



YEAR	MODEL (Make-Name)	FRONT				REAR			
		TOKICO NO. OIL	GAS	⌄	OEM NO.	TOKICO NO. OIL	GAS	⌄	OEM NO.

TOWN ACE, LIGHT ACE (TRUCK)

87/11~91/02	CM50,51,KM50,51(Excl. SUPER SINGLE JUST LOW)				48500-29365				48531-80295
87/11~91/02	CM50,51,55,KM50,51,YM55 (SUPER SINGLE JUST LOW)				48500-29365				48531-80300 48531-80301
87/11~	CM60,65,YM60,65				48500-29375				48531-80305 48531-80306
89/12~	CM65(CAMPING CAR)				48500-29495				48531-80098
90/12~	CM51(TILT DECK)				48500-29365				48531-80421
91/02~	CM51,KM55(JUST LOW)				48500-29365				48531-80296
91/02~	CM51,55,KM51,55(Excl. JUST LOW)				48500-29365				48531-80301
91/02~	CM60,65,YM60,65				48500-29375				48531-80306
91/10~	CM52				48500-29525				48531-80119
91/10~	CM61				48500-29535				48531-80122

TOYO ACE

71/09~79/02	PY10 Serise,Ry10 ,12,14,JY16 (1.25t,1.5t)	●2271		⌄ ○	48511-29045 48511-29046		●2183 2518	○ ○ ○	48531-29195 48531-29196
72/07~79/02	JY16(2ton)	●2183 2518		○ ○ ○ ○	48511-29055		3004	○ ○	48531-69025 48531-69026
79/03~80/04	JY30(Double Tire)	3232		⌄ ○	48511-29115		3269	○ ○	48531-39355
79/03~82/08	JY30(Single Tire)	3232		⌄ ○	48511-29105		3268	○ ○	48531-39285
79/03~85/07	RY20,21,31,32,LY20,21,30,31	2663		⌄ ○	48511-29095 48511-29125		2504	○ ○	48531-29585 48531-29605
80/04~85/07	JY30(Double Tire),BY30,31(Excl. Just-Low,Aluminum Panel Van)	3232		⌄ ○	48511-29115		3037 E3435 ●EL3037	○ ○ ○	48531-39465
80/09~85/07	BY30,31(Just-Low,Aluminum Panel Van),JY30(Single Tire)	3232		⌄ ○	48511-29115 48511-29105		3178 E3178 ●EL3178	○ ○ ○	48531-39276 48531-39455

TRUCK/BUS

69/03~77/04	DA1,DB1,FA1,FB100,FC100	4008		⌄ ○	48511-59015				
77/04~80/02	DA110,115,116,FA101 (*BTR,Dump)	4008		⌄ ○	48511-59015				

VIOS

02/11~	NCP4#		B2220	⊕	48510-09890 48510-09A00		E2949	⌄ ⊕	48530-09600 48530-09610
--------	-------	--	-------	---	----------------------------	--	-------	--------	----------------------------

VIOS/SOLUNA VIOS

02/10~	AXP4#				48510-0D030 48510-52380				48530-0D030 48530-52390
02/12~	NCP42..ATM..15S		B2220	⊕	48510-09A00 48510-0D060 48510-52120 48510-52230 48510-59195 48510-59205 48510-59305 48510-59308		E2949	⌄ ⊕	48530-09610 48530-0D070 48530-0D100 48530-0D100B 48530-0D120 48530-0D160 48530-0D160A 48530-0D170 48530-0D170A 48530-46030 48530-46040 48530-49355 48530-49365

○ Eyering
⌄ Upper Bolt

⊕ Bushing
⌄ Lower Bolt

⊗ XPin Type Bushing
⊕ Suspension Strut

⊕ Coil Over Type
⌄ Strut Cartridge

MITSUBISHI

NISSAN

NISSAN DIESEL

PERODUA

PROTON

SUBARU

SUZUKI

TOYOTA

TOYOTA



YEAR	MODEL (Make-Name)	FRONT				REAR			
		TOKICO NO. OIL	GAS	⌘	OEM NO.	TOKICO NO. OIL	GAS	⌘	OEM NO.

VIOS/SOLUNA VIOS(Continued)

02/12~	NCP4#...(13E,13STD,15E,15G,15J),(PHL,TH,VN)		B2220	⌘	48510-09A00	48510-0D060		E2949	⌘	48530-09610	48530-0D070	
					48510-52120	48510-52230				⊙	48530-0D100	48530-0D100B
					48510-59195	48510-59205					48530-0D120	48530-0D160
					48510-59305	48510-59308					48530-0D160A	48530-0D170
										48530-0D170A	48530-46030	
										48530-46040	48530-49355	
										48530-49365		

VISTA/VISTA ARDEO

98/07~03/10	SV50,ZZV50	R			48510-32291	48510-32301				48530-32390	48530-32400
					48510-39755	48510-39765				48530-39525	48530-39526
					48510-39785	48510-80171				48530-39535	48530-39685
					48510-80172					48530-39686	
		L			48520-32291	48520-32301					
					48520-39325	48520-39335					
					48520-39345	48520-39785					
					48520-39795						
98/07~01/04	SV55 (4WD)	R			48510-32291	48510-32301				48530-32350	48530-32370
					48510-39755	48510-39765				48530-39505	48530-39515
					48510-39785	48510-80171					
					48510-80172						
		L			48520-32291	48520-32301					
					48520-39325	48520-39335					
					48520-39345	48520-39785					
					48520-39795						
01/04~03/10	SV55,AZV55 (4WD)	R			48510-32291	48510-32301				48530-32420	48530-32430
					48510-39755	48510-39765				48530-39705	48530-39706
					48510-39785	48510-80171				48530-39715	48530-39716
					48510-80172						
		L			48520-32291	48520-32301					
					48520-39325	48520-39335					
					48520-39345	48520-39785					
					48520-39795						

YARIS VERSO/FUN CARGO

99/08~	NCP20(2WD)With Rear Disk Brake		B2220	⌘	48510-52120	48510-52230			E2949	⌘	48530-52100	48530-52140	
					48510-59195	48510-59205					⊙	48530-59225	48530-59245
					48510-59305							48530-59255	48530-59247
												48530-52102	
99/08~00/01	NCP25 (1500 4WD)		B2244	⌘	48510-59215	48510-52130				48530-59285	48530-52170		
00/01~05/09	NCP25 (1500 4WD)		B2244	⌘	48510-59216	48510-59217				48530-59286	48530-80137		
					48510-52131	48510-52132				48530-52171			
99/08~05/09	NCP20(1300),NCP21(1500)		B2220	⌘	48510-52110	48510-59195			E2949	⌘	48530-59225	48530-52120	
					48510-59198					⊙			

YARIS/VITZ

06/02~	NCP91 FOR Asia	R	B3239	⌘	48510-0D200	48510-0D210			E2981	⌘	48530-09L10	48530-0D220	
					48510-09N50	48510-09N60							⊙
		L	B3240	⌘	48520-0D040	48520-0D050							
					48520-09G00	48520-09G10							

○ Eyering
⌘ Upper Bolt

⊙ Bushing
T Lower Bolt

⊗ XPin Type Bushing
⌘ Suspension Strut

⌘ Coil Over Type
⌘ Strut Cartridge

TOYOTA



YEAR	MODEL (Make-Name)	FRONT				REAR			
		TOKICO NO.		⚙	OEM NO.	TOKICO NO.		⚙	OEM NO.
OIL	GAS	OIL	GAS						

YARIS/VITZ/ECHO/PLATZ

99/01~04/04	SCP10,SCP11,SCP12,NCP10, NCP12(2WD)		B2220	⚙	48510-52030	48510-59145		E2949	⊥	48530-52020	48530-59155	
					48510-52031	48510-59146				⊙	48530-52021	48530-59156
					48510-52040	48510-59155					48530-52022	48530-59157
					48510-52041	48510-59156					48530-52040	48530-59165
					48510-52050	48510-59165					48530-52041	48530-59166
					48510-52052	48510-59167					48530-52050	48530-59195
					48510-52060	48510-59175					48530-52060	48530-59205
					48510-52061	48510-59176					48530-52070	48530-59206
					48510-52180	48510-59265					48530-52071	48530-59325
					48510-52210	48510-59275					48530-52230	48530-59335
					48510-52220	48510-59285					48530-52240	

MITSUBISHI

NISSAN

NISSAN DIESEL

PERODUA

PROTON

SUBARU

SUZUKI

TOYOTA

○ Eying
⊥ Upper Bolt

⊙ Bushing
⊥ Lower Bolt

⊗ XPin Type Bushing
⚙ Suspension Strut

⚙ Coil Over Type
⊥ Strut Cartridge

**NUMERICAL
LISTING
(STOCK NO.)**

*:Please refer to the contents for further details.

1000 SERIES

TOKICO NO.	MANUFACTURER	VEHICLE	YEAR	MAKE & MODEL	VEHICLE POSITION	KIT NO.		REF PAGE
						UPPER	LOWER	
1028	MITSUBISHI	MINICAB	71~84/03	T130,T131(Incl.Minicub W) LT30V(Minicub EL),LO12P (Minicub 5),LO13P(Wide55), LO13P,LO13PV,LO15P (All***Excl.Mighty)	R	001	001	99
		MINICAB	82/08~84/03	LO15P(Mighty & Option Heavy Duty)	R			99
●1031	NISSAN	SUNNY/SENTRA	70~73	B110(Coupe)	R	101	001	118
1044	MITSUBISHI	MINICAB	71~84/03	T130,T131(Incl.Minicub W) LT30V(Minicub EL),LO12P (Minicub 5),LO13P(Wide55), LO13P,LO13PV,LO15P (All***Excl.Mighty)	F	101	014	99
●1049	DAIHATSU	HIJET	71/09~81/08	S38 ,40	F	101	014	53
1068	SUZUKI	CARRY	72~76	L50,L51	R	022	022	134
		CARRY	76/05~76/09	ST10	R			134
		CARRY	76/09~79/04	ST20 (Incl.Van)	R			134
		CARRY	79/05~81/05	ST30	R			134
		CARRY	81/06~85/03	ST30(~Chassis No427000) ST40(~Chassis No230000) ST90	R			134
		CARRY	81/06~85/03	ST30/40/90	R			134
		CARRY	81/08~85/03	ST31,41	R			135
		CARRY	84/01~85/03	ST30(Chassis No427001~), ST-100	R			135
		CARRY	84~88	ST40(Chassis No230001~)	R			135
1074	TOYOTA	PUBLICA	72/01~78/09	KP36V,KP37V(Van)	R	014	001	172
●1088	NISSAN	SUNNY/SENTRA	70~73	B110	R	165	015	118
		SUNNY/SENTRA	71~73	B110(Excellent)	R			118
1112	NISSAN	SUNNY/SENTRA	73~77/10	B210,211	R	165	015	118
		SUNNY/SENTRA	73~77/10	B210,B211	R			118
●1113	NISSAN	SUNNY/SENTRA	73~77/10	B210,211,B211(Coupe)	R	101	001	118
		SUNNY/SENTRA	73~77/10	B21(EXCELLENT Coupe),B211	R			118
1123	DAIHATSU	HIJET	71/09~81/08	S38 ,40	R	002	002	53
		HIJET	78/02~79/09	S60(Excl.Truck with Flat Low Deck) (Incl.Van,Panel Van)	R			53
		HIJET	79/09~81/03	S60 ,All	R			53
		HIJET	81/04~82/03	S65,C(Truck Panel Van) (Excl.Agricultural 12 Tire Model)	R			53
		HIJET	81/04~82/03	S65V(STD,SDL,E)(Van)	R			53
		HIJET	81/04~82/03	S65V(L only)(Van)	R			53
		HIJET	82/03~83/10	S65V(L only)(Van)	R			53
		HIJET	82/03~83/10	S65V(STD,SDL,E)(Van)	R			53
		HIJET	82/03~83/10	S65,C(Truck Panel Van) (Excl.Agricultural 12 Tire Model)	R			53
		HIJET	83/10~84/10	S65,C(Truck Panel Van) (Excl.Agricultural 12 Tire Model)	R			53
		HIJET	83/10~84/10	S65V(L only)(Van)	R			53
		HIJET	83/10~84/10	S65V(STD,SDL,E)(Van)	R			53
		HIJET	84/10~86/05	S65,C(Truck Panel Van)* (Excl.Agricultural 12 Tire Model)	R			53
		HIJET	84/10~86/05	S65V(L only)(Van)	R			53
		HIJET	84/10~86/05	S65V(SDL with High Roof)(Van)	R			53
		HIJET	84/10~86/05	S65V(STD,SDL,Excl.High Roof,E) (Van)	R			53
1138	NISSAN	SUNNY/SENTRA	77/11~81/09	B310(Excl.GX)	R	214	015	118
		SUNNY/SENTRA	77/11~81/09	B310(1400,1500)	R			118
1139	TOYOTA	TERCEL/CORSA	78/08~82/05	AL10,11,12	R	161	014	174
1140	TOYOTA	KIJANG/TAMARAW	77~		F	101	101	167
1144	NISSAN	BLUEBIRD	79/10~81/12	J910***Wagon	R	031	031	105
		BLUEBIRD	79/10~83/09	J910***Van	R			105
●1146	TOYOTA	STARLET	78/10~84/10	KP61V(Van),KP62V(Van)	R	104	002	173
1148	SUZUKI	ALTO/SH410	83/07~84/08	SS30V,40V	R	015	022	134
		CERVO	82/05~	SS40C All(Excl.CS-G,CT Turbo, CT-G Turbo)	R			135
		CERVO	83/05~	SS40C(CS-G,CT Turbo,CT-G Turbo)	R			135
		FRONTE	79/05~84/09	SS30,40 All	R			136

STOCK NO.

O.E.M. NO.

KIT

1000 SERIES

TOKICO NO.	MANUFACTURER	VEHICLE	YEAR	MAKE & MODEL	VEHICLE POSITION	KIT NO.		REF PAGE
						UPPER	LOWER	
1148	SUZUKI	MIGHTY BOY MIGHTY BOY	83/02~ 85/01~	SS40T All(Excl.PS-L,QL) SS40T(PS-L,QL)	R R			136 136
1160	SUZUKI	CARRY CARRY	79/05~81/05 81/06~85/03	ST30V ST40V(~Chassis No893000) ST30V ST90V	R R	029	022	134 134
		CARRY CARRY	81/08~85/03 84/01~85/03	ST31V,41V ST40V(Chassis No893001~)	R R			135 135
1163	SUZUKI	CULTUS	83/10~86/10	AA41S,All Chassis No100001~ 113348~,AA41V,AB41S,51S	R	015	022	135
1165	DAIHATSU	CHARADE	83/01~86/12	G11,V,G30,V(Incl.Van,Excl.TX, TS,CX,Turbo)	R	251	015	50
		CHARADE	83/01~86/12	G11,G30,(TX,TS,CX)	R			50
		CHARADE	83/09~86/12	G11,G30,(Turbo,DETOMASO Turbo)G26 (926 Turbo)	R			50
		CUORE	85/08~86/04	L70V(C,S)	R			51
		CUORE	85/08~87/08	L70V(A,B,FB)	R			51
		CUORE	85/08~87/08	L70S(TA,TC,TCX,CX,CA,CG)	R			51
		CUORE	86/04~87/08	L70V(C,S)	R			51
		CUORE	86/04~87/08	L70S(GRAN)	R			51
		CUORE	87/08~	L70S(GRAN)	R			51
		CUORE	87/08~	L70S(TA,TC,TCX,CX,CA,CG)	R			51
		CUORE	87/08~	L70V(A,B,FB)	R			51
		CUORE	87/08~	L70V(C,S)	R			51
		CUORE	85/08~90/07	L80	R			51
		LEEZA	86/11~87/06	L100V(Y,Z),L100S(TS)	R			53
		LEEZA	86/11~87/08	L100V(X),L100S(TD)	R			54
		LEEZA	87/08~	L100V(X),L100S(TD)	R			54
1168	MITSUBISHI	MIRAGE/LANCER FIORE MIRAGE SALOON/LANCER FIORE	83/10~85/12 83/10~85/12	C11A,C12A,C13A,C14A C11A,C12A,C13A,C14A	R R	015	015	99 99
1169	SUZUKI	ALTO/SH410 ALTO/SH410	83/10~86/06 85/09~	SS41V,CA71V CA71V(S Turbo),CA71V(B,U,D), CA72V(N,G),CA72V(S,SX,RS)	R R	015	015	134 134
		ALTO/SH410	87/08~	CA72V(Twincam Turbo RS-S, RS-X)	R			134
		ALTO/SH410	86/07~87/12	CA/B71CA/B72,CA/B91 Rear coil spring	R			134
		FRONTE	84/09~86/07	CB71S	R			136
1175	SUZUKI	CULTUS	86/06~89	AA43S(Turbo),AA33S,AB33S AA43S(Excl.Turbo),AB43S, AA53S,AB53S(MR,GR),AA43V	R	266	015	135
1182	SUZUKI	ALTO/SH410	86/07~	CC72V(4WD***D,SX,RS),CC72V (4WD***G),CC72V(4WD RS R Twincam Turbo),CC72V (4WD SX Turbo,RS-Twincam)	R	015	015	134
		SR410/SR412/WAGON R	96/07~	CT21S,MA61,MA/B81 incl.ABS	R			137
●1189	SUZUKI	ALTO/SH410	88~92	CA/B71,CA/B72,CA/B91 Rear coil spring	R			134
1194	SUZUKI	CARRY/EVERY	85/03~	DA71T,DA81T	R	022	022	135
1195	SUZUKI	CARRY/EVERY	85/03~	DA71V,DB71T,V	R	015	022	135
1199	DAIHATSU	HIJET HIJET	86/05~87/02 86/05~90/04	S80P,S80C S80V(STD,SDX,G,GX,HCT) ***Excl.Low Floor Van	R R	002	002	53 53
		HIJET	87/02~90/04	S80P,S80C	R			53
1201R	MAZDA	TITAN CABIN DAMPER	89/04~	TITAN J35E	F	015	015	89
1202	NISSAN	MARCH/MICRA	92/08~02/02	K11,HK11	R	290	015	112
1211	DAIHATSU	CUORE/MIRA CUORE CUORE/MIRA CUORE	90/08~94/08 90/08~94/08	L200 L201	R R	015	015	51 51
1212	SUBARU	SUBARU E (DOMINGO)	94/06~98/11	69D	R	015	015	130
1213	PERODUA	KANCIL		KANCIL	R	015	015	126
1214	DAIHATSU	CUORE/MIRA CUORE CUORE/DOMINO/MOVE	94/08~ 95/08~	L501(660) L601	R R	015	015	51 51
1218	SUZUKI	FUTURA	91~		R			136
1219	SUZUKI	CARRY CARRY	84/01~85/03 84~88	ST30(Chassis No427001~), ST-100 ST40(Chassis No230001~)	R R			135 135

STOCK NO.

O.E.M.NO.

KIT

2000 SERIES

TOKICO NO.	MANUFACTURER	VEHICLE	YEAR	MAKE & MODEL	VEHICLE POSITION	KIT NO.		REF PAGE
						UPPER	LOWER	
●2006 (E2006)	MITSUBISHI	LANCER/LANCER EX	79/04~80/01	A172(1400)	R			98
		LANCER/LANCER EX	79/04~80/01	A174(1600)	R			98
2020	TOYOTA	COROLLA/SPRINTER	74/04~79/02	TE30,31,35,37,4,5,6 (Excl.SR,LEVIN TRUENO,GT,LB)	R	104	002	147
		COROLLA/SPRINTER	74/04~79/02	TE50,56,60,66(Excl.SR,LB)	R			147
		CORONA	64~73/07	KE30,35,40,50,60(Excl.SR, LEVIN TRUENO,GT,LB),KE5,6 (Incl.SR,Excl.LEVIN,TRUENO, GT,LB),KE55,65(Incl.SR,Excl.LB)	R			153
		CRESSIDA/MARK II /CHASER/CRESTA	76/12~80/08	RT40,50~6,80~2,84,RT90,91, 93,94 RT80~84(Incl. SL), RT90~95(Incl.SL) RX37V, TX47V(Van)	R			157
2048	DAIHATSU	DELTA 750	79/10~82/09	KD20(Single Tire)	R	002	002	52
		DELTA WIDE	76/10~81/01	TB11G(Wagon), TB15G(Wagon)	R			52
		DELTA WIDE	76/10~82/10	KB10V,11V,12V,TB10V, 11V(VAN)	R			52
		DELTA WIDE	81/01~82/10	TB15G(Wagon)	R			52
		TAFT	74/08~78/08	F10,20,50,60	R			54
		TAFT	78/08~84/04	F10,20,50,60	R			54
	MAZDA	TITAN	80/10~87on	All WEW,WEX,WEY,WEZ,WE5, WEF,WEL WE14,17	R			89
		TITAN WALK THROUGH	83/05~	WEFTA(1.75t W Tire)	R			89
	MITSUBISHI	COLT GALANT	69~73	A51V,52V,53V,54V	R			93
		LANCER/LANCER EX	72~76/11	A71V(1200Van),A72V(1400Van)	R			98
		LANCER/LANCER EX	76/12~79/04	A42V(1400Van),A75V(1200Van)	R			98
		LANCER/LANCER EX	79/04~	A141V,142V,148V,149V(Van)	R			98
		L300/DELICA	77/08~86/02	T120,T121All(Truck, Van) LO31,LO32P,LO34P,LO31PUE, LO31P,LO34P,LO31PUE, LO33PV,W,LO35PW,63P	R			95
		L300/DELICA	82/10~86/02	LO38P,V,W,36PV,W,68P,V,W	R			96
	L300/DELICA	86/03~	LO33PV,36P(Excl.Low Floor One-Opening),LO63P,LO69P	R			96	
	L300/DELICA	94/06~	P05T,P13T,P15T(2WD TRUCK)	R			96	
	NISSAN	SUNNY/SENTRA	70~82/09	B110,B210,B310,B311,B312	R			118
		SUNNY TRUCK	75/10~89/10	B120,121,122,GB120,121,122	R			117
		VANETTE(SUNNY/CHERRY/DATSUN)/NOMADO	86/11~93/04	C22,GC, 4WD All	R			121
	TOYOTA	BLIZZARD	80/03~84/05	LD10V	R			140
LIGHT ACE		79/10~86/09	KM20V,21V,YM20V,CM20V KM20,21,CM20	R			171	
TOWN ACE		76/10~82/10	TR11,15	R			175	
TOWN ACE		82/11~86/09	KM21,CM20(Truck,Double Tire)	R			175	
●2069	NISSAN	PATROL/SAFARI	71~79/09	60,VG60	R	106	106	112
2088	NISSAN	DATSUN TRUCK/DATSUN PICKUP	65~70	U520,521(Pick up), V520,521(VAN)	F	104	105	109
2089	NISSAN	CABSTAR	69~76	A320 ,A321 ,VPA321	R	002	104	106
		DATSUN TRUCK/DATSUN PICKUP	65~70	U520,521(Pick up), V520,521(VAN)	R			109
2092	DAIHATSU	DELTA 750	71~79/10	KD10,11	F	215	014	52
	TOYOTA	CORONA	61~66	RT26G,46G	F			152
		CORONA	64~69	PT46V,47V,RT46V(Van) PT46, 47(Pick Up)	F			153
		CORONA	64~73/07	RT40,50~6,80~2,84,RT90,91, 93,94 RT80~84(Incl. SL), RT90~95(Incl.SL)	F			153
		CORONA	70~73/07	RT86V~88V(VAN),PT86(VAN)	F			153
		CORONA	73/08~78	TT100 ,110 ,RT100~4, RT110 ,TT120 ,RT122~3	F			153
		CORONA	73/08~78/08	RT106V,108V,TT106V(Van)	F			153
		CRESSIDA/MARK II /CHASER/CRESTA	68~71/12	RT78L-KA	F			157
		CRESSIDA/MARK II /CHASER/CRESTA	68~71/12	RT76,77,78(SW),RT6,RT7(Incl. SL,GSL,GSS)	F			157
		CRESSIDA/MARK II /CHASER/CRESTA	68/09~76/11	RT66V,69V(Van) RT67V,68V (Van Deluxe),RX26~28, MX27(Wagon),RX16V,17V(Van)	F			157
CRESSIDA/MARK II /CHASER/CRESTA	72/01~76/11	RX10/20 SL,GSL,GSS Excl VAN,WAGON	F			157		

STOCK NO.

O.E.M NO.

KIT

2000 SERIES

TOKICO NO.	MANUFACTURER	VEHICLE	YEAR	MAKE & MODEL	VEHICLE POSITION	KIT NO.		REF PAGE
						UPPER	LOWER	
2092	TOYOTA	HILUX HILUX LIGHT ACE STOUT	68~78/07 78/07~79/05 70/11~79/09 63~69	RN10,13,15,16,RN2 RN30,40 KM10,11 RK40,RK43(LIGHT STOUT)	F F F F			164 164 171 174
●2125 (3155)	NISSAN	BLUEBIRD BLUEBIRD BLUEBIRD LAUREL LAUREL	67/08~70/07 70/07~71/05 71/05~73/03 68~71 70/06~72/04	510,P510 V510,W510,P510,N510 510,N510,P510,H510 C30 C30(Hard Top)	R R R R R	142	002	104 104 105 111 111
●2127	NISSAN	BLUEBIRD	71/05~73	V510,W510,P510,N510	R	104	002	105
	TOYOTA	CORONA	70~73/07	RT86V~88V(VAN),PT86(VAN)	R			153
2130	MAZDA	PROCEED PROCEED	65~71 71/03~77/04	BUD(1500) BNA(1600)	R R	104	104	88 88
●2145 (2518)	MITSUBISHI	COLT GALANT	74~77	A112V(Van)	R	002	002	93
2154	SUZUKI	JIMNY JIMNY JIMNY	71~81 77/08~81 81/05~	LJ20,SJ10/SJ20 SJ20 ,SJ10 SJ30 ,SJ40 ,JA51C,V,W,JA71C, V,SJ413,ST410,JA7	F F F	104	002	136 136 136
2157	TOYOTA	STOUT	60~74/08	RK45,RK45(V.P.B)47,1K100 (V.P.B),101,RK101	F	104	002	174
●2162	NISSAN	CABSTAR	69~76	A320 ,A321 ,VPA321	F	104	104	106
2173	NISSAN	CHERRY CHERRY/SUNNY CAB	70~78/11 70~78/10	C20 C20,C20(CAB)C20(CAB Van)	R R	002	015	108 108
●2174	NISSAN	CHERRY CHERRY/SUNNY CAB	70~78/11 70~78/10	C20 C20,C20(CAB)C20(CAB Van)	F F	015	002	108 108
●2183 (2518)	TOYOTA	TOYO ACE TOYO ACE	71/09~79/02 72/07~79/02	PY10 Serise,RY10 ,12,14,JY16 (1.25t,1.5t) JY16(2ton)	R F	002	002	176 176
2186	DAIHATSU	DELTA 750	71~79/10	KD10,11	R	002	002	52
	ISUZU	FASTER/RODEO/TROOPER/CAMBO/BRAVA FASTER/RODEO/TROOPER/CAMBO/BRAVA FASTER/RODEO/TROOPER/CAMBO/BRAVA FASTER/RODEO/TROOPER/CAMBO/BRAVA	77/01~79/12 79/05~80/10 79/12~80/10 79/12~80/10	KB20 KBD40(4WD) KB20 KB25	R R R R			72 72 72 72
	MAZDA	BONGO FORD J80/SPECTRON/BRAWNY BONGO FORD J80/SPECTRON/BRAWNY BONGO FORD J80/SPECTRON/BRAWNY FORD J80/SPECTRON	83/09~97/04 87/12~97/04 87/12~97/04 83/09~97/04	SSF8VE(2WD),VAN SS28ME(4WD),VAN SSF8RE(4WD) SS48VF,SS88WF,SSF8F, SSF8VF(Diesel)	R R R R			82 82 82 86
	NISSAN	DATSUN TRUCK/DATSUN PICKUP	82/01~85/07	720 (4WD)	R			110
	TOYOTA	CORONA CORONA CRESSIDA/MARK II/CHASER/CRESTA LIGHT ACE	64~69 73/08~78/08 68/09~76/11 70/11~79/09	PT46V,47V,RT46V(Van) PT46, 47(Pick Up) RT106V,108V,TT106V(Van) RT66V,69V(Van) RT67V,68V (Van Deluxe),RX26~28, MX27(Wagon),RX16V,17V(Van) KM10,11	R R R R			153 157 171
●2193	DAIHATSU	CHARMANT	74/11~79/08	A10V,20V(Van)	R	101	001	50
	TOYOTA	COROLLA/SPRINTER	70/05~74/03	KE26V(Van),KE20,25,TE20,25, TE25X	R			147
●2201	TOYOTA	CARINA	70/10~77/08	TA10,12,15,17(DLX,SDX,ST) RA11,13,15,TA12(GT) TA17(SR,GT),TA18,3 (SR)RA17 TA14,18,3 ,RA10,14,16,31 (Excl.SR)	R	161	002	144
●2203	NISSAN	SUNNY/SENTRA	71~73	B110(Excellent Coupe)	R	104	002	118
2204	ISUZU	FASTER/RODEO/TROOPER/CAMBO/BRAVA FASTER/RODEO/TROOPER/CAMBO/BRAVA FASTER/RODEO/TROOPER/CAMBO/BRAVA FASTER/RODEO/TROOPER/CAMBO/BRAVA FASTER/RODEO/TROOPER/CAMBO/BRAVA FASTER/RODEO/TROOPER/CAMBO/BRAVA FASTER/RODEO/TROOPER/CAMBO/BRAVA FASTER/RODEO/TROOPER/CAMBO/BRAVA	72~76/12 77/01~79/12 79/05~80/10 79/12~80/10 79/12~80/10 80/10~ 82/12~	KB20 KB20 KBD40(4WD) KB20 KB25 KBD41(4WD),46(4WD) KBD42(4WD)	F F F F F F F	104	015	72 72 72 72 72 72 72
2206	NISSAN	BLUEBIRD STANZA/AUSTER/VIOLET	72~73/03 72~76	P510,N510 710 ,711 (Rigid Suspension) (Leaf Spring)	R R	142	002	105 115
2207	DAIHATSU	CHARMANT	74~79/07	A10,A20,A30,A40(Excl.Van)	R	155	015	50

STOCK NO.

O.E.M. NO.

KIT

2000 SERIES

TOKICO NO.	MANUFACTURER	VEHICLE	YEAR	MAKE & MODEL	VEHICLE POSITION	KIT NO.		REF PAGE
						UPPER	LOWER	
2207	DAIHATSU	CHARMANT	79/07~81/09	A40(Excl.Sporty Custo, Van) A30(Excl. Van)	R			50
		CHARMANT	79/07~81/09	A40Sporty Custom(Excl. Van)	R			50
		CONSORTE	73~	EP45, EP47, EP51	R			51
	TOYOTA	COROLLA/SPRINTER	70/05~74/03	KE20, 25, TE20, 25, TE25X(SR)	R			147
COROLLA/SPRINTER		72~74/03	TE27(LEVIN, TRUENO)	R			147	
STARLET		73~78/01	KP40, 42, 45, 47, 51 All	R			173	
●2208	NISSAN	BLUEBIRD	71~76/06	610(Van, Wagon)	R	014	002	105
		BLUEBIRD	76/06~79/09	J810(Van)	R			105
		STANZA/AUSTER/VIOLET	73~77/04	VJ710(Van)	R			116
2219	NISSAN	DATSUN TRUCK/DATSUN PICKUP	71~79/08	620(Truck, Van, Custom Model) (Incl. Flat Floor Truck)	F	161	015	109
		DATSUN TRUCK/DATSUN PICKUP	71~79/08	N620(Pickup)	F			109
		DATSUN TRUCK/DATSUN PICKUP	80/04~81/12	720 (4WD)	F			109
		DATSUN TRUCK/DATSUN PICKUP	82/01~85/07	720 (4WD)	F			110
		DATSUN TRUCK/DATSUN PICKUP	85/08~98/02	D21(2WD)	F			110
		DATSUN TRUCK/DATSUN PICKUP	98/02~02/08	D22(2.4, 2.5, TD 2WD)	F			110
2220	NISSAN	CARAVAN/HOMY	73/03~78/08	E20 All	R	002	161	106
		CARAVAN/HOMY	78/04~80/08	E20 All	R			106
		CARAVAN/HOMY	80/08~86/08	E23 All	R			106
		DATSUN TRUCK/DATSUN PICKUP	71~79/08	620(Truck, Van, Custom Model) (Incl. Flat Floor Truck)	R			109
		DATSUN TRUCK/DATSUN PICKUP	79/09~85/07	720 All(Excl. 4WD)	R			109
DATSUN TRUCK/DATSUN PICKUP	80/04~81/12	720 (4WD)	R			109		
2221	NISSAN	DATSUN TRUCK/DATSUN PICKUP	71~79/08	N620(Pickup)	R	002	161	109
2252	MAZDA	FAMILIA/323	74~79/11	FA2T (1300 Truck)	F	157	014	83
		FAMILIA/323	78/05~79/08	FA4 (Van)	R			83
		FAMILIA/323	79/08~	FA4 (Van)	R			83
		PROCEED	65~71	BUD(1500)	F			88
●2253	MAZDA	FAMILIA/323	74~79/11	FA2T (1300 Truck)	R	157	157	83
2254	DAIHATSU	DELTA 750	79/10~82/09	KD20(Double Tire)	R	002	002	52
		TAFT	74/08~78/08	F10, 20, 50, 60	F			54
		TAFT	78/08~84/04	F10, 20, 50, 60	F			54
MITSUBISHI	L300/DELICA	68~79/06	T100, T120 All(Truck, Van)	R			95	
			T100V, T120V, T120					
NISSAN	SERENA	92/07~96/05	C23(BUILT IN SPAIN)Rear Rigid Axle	R			115	
			VANETTE(SUNNY/CHERRY/DATSUN)/NOMADO	85/09~90/07	C22, GC22 2WD All (Excl. 1800 Turbo)	R		
SUZUKI	JIMNY	71~81	LJ20, SJ10/SJ20	R			136	
TOYOTA	BLIZZARD LIGHT ACE	80/03~84/05 79/10~86/09	LD10V	F			140	
			TM20G, YM21G, CM20G(Wagon) KM20(Truck, Double Tire)	R			171	
2256	TOYOTA	COROLLA/SPRINTER	74/04~79/08	KE36V(Van)	R	104	002	147
		COROLLA/SPRINTER	74/04~79/08	TE36V(Van)	R			147
●2260	DAIHATSU	CONSORTE	72~	EP30, EP31, EP50	R	014	002	51
		TOYOTA	PUBLICA	72/01~78	KP30, 31, 50 (Incl. XL)	R		
2262	TOYOTA	PUBLICA	69/11~79/07	KP36, 37(Truck)	R	014	001	172
		PUBLICA	79/07~	KP38, 39(Truck)	R			172
●2265	TOYOTA	CARINA	70/10~77/08	TA10, 12, 15, 17(DLX, SDX, ST) RA11, 13, 15, TA12(GT) TA17(SR, GT), TA18, 3 (SR)RA17 TA14, 18, 3 ,RA10, 14, 16, 31 (Excl. SR)	R	161	002	144
		CELICA	75/10~77/08	RA2 All, TA2 ,TA35, RA35	R			145
●2267	TOYOTA	CRESSIDA/MARK II/CHASER/CRESTA	68~71/12	RT78L-KA	R	002	172	157
●2269	TOYOTA	CRESSIDA/MARK II/CHASER/CRESTA	72/01~76/11	RX10/20 SL, GSL, GSS Excl VAN, WAGON	R	161	002	157
●2271	TOYOTA	TOYO ACE	71/09~79/02	PY10 Serie, RY10 , 12, 14, JY16 (1.25t, 1.5t)	F	104	002	176
●2274	MITSUBISHI	COLT GALANT	69~77	A51, 52, 53, 54 A53H(Hardtop)A61~63(FTO) A55C(GTO), A57C(2000SL), A112, 114, 115 All(Excl. Van)	R	015	002	93
2275	MAZDA	PROCEED	71/03~77/04	BNA(1600)	F	015	014	88
2276	MAZDA	SAVANNA/RX-3/GRAND FAMILIA/808	72~78	S102, M102(Van, Wagon)MTC, STC(Van)	R	161	002	89

STOCK NO.

O.E.M. NO.

KIT

2000 SERIES

TOKICO NO.	MANUFACTURER	VEHICLE	YEAR	MAKE & MODEL	VEHICLE POSITION	KIT NO.		REF PAGE		
						UPPER	LOWER			
2276	TOYOTA	CORONA	73/08~78	TT100 ,110 ,RT100~4, RT110 ,TT120 ,RT122~3	R			153		
2280	MITSUBISHI	GALANT LAMBDA	76/12~80/05	A123(2000),A123(2000GSR), A133(Excl.2000GL)	R	015	002	93		
		GALANT LAMBDA	76/12~80/05	A121(1600SL),A131(1600SL) A133(2000GL)	R			93		
		GALANT LAMBDA	76/12~78/03	A121(1600GS)	R			93		
		GALANT/MAGNA/SIGMA	76/05~80/05	A123(2000),A121(1600),A131 A122(1850),A132(1850),A133	R			94		
		GALANT/MAGNA/SIGMA	77/08~80/05	A133(2000 Super Saloon) A123(2000GSR)	R			94		
		GALANT SIGMA ETERNA	78/03~80/05	A131(1600),A133(2000 Excl. Super Saloon)	R			94		
		GALANT SIGMA ETERNA	79/03~80/05	A133(2000 Super Saloon)	R			94		
2284	ISUZU	GEMINI	74~87/01	PF50,60,PFD60	R	104	015	73		
2285	ISUZU	GEMINI	74~87/01	PF50,60,PFD60	F	104	015	73		
		GEMINI	79/11~87/01	PF60(ZZT,ZZL,ZZR,ZZT)	F			73		
●2291	NISSAN	CARAVAN/HOMY	73/03~78/08	E20 All	F	161	002	106		
●2293	NISSAN	STANZA/AUSTER/VIOLET	77/05~81/06	A10,A11	R			116		
2316	MAZDA	CAPELLA/616	78/10~79/05	CB2	R	156	002	82		
		CAPELLA/616	79/02~80/02	CB2VS	R			82		
		CAPELLA/616	79/05~83/09	CB2	R			82		
		CAPELLA/616	80/02~83/09	CB2VS(TAXI)	R			82		
		LUCE/RX-4/929	81/10~	HBPH8,HBPH8,HBPS2 (Diesel,Incl.),HBEJ,HBEP, HBPS2(Diesel),HBEP	R			86		
●2470	DAIHATSU	DELTA WIDE	76/10~81/01	TB11G(Wagon),TB15G(Wagon)	F	161	014	52		
		DELTA WIDE	76/10~82/10	KB10V,11V,12V,TB10V, 11V(VAN)	F			52		
		DELTA WIDE	81/01~82/10	TB15G(Wagon)	F			52		
	TOYOTA	TOWN ACE	76/10~82/10	TR11,15	F			175		
TOWN ACE	79/11~82/10	RR11,21(Just-Low)	F			175				
2478	MAZDA	FAMILIA/323	77/01~79/05	FA4 ,FA5	R	015	002	83		
		FAMILIA/323	79/05~80/05	FA4 ,FA5	R			83		
2483	TOYOTA	CARINA	81/09~85/07	TA61,63,AA63,RA63	R	161	002	144		
		CELICA	81/07~85/07	TA61,63,64,RA63,AA63	R			145		
		CELICA	81/07~85/12	GA61(XX2000,L,S,G),MA61 (XX2800),MA63(XX2000Turbo) GA61(XX2000,GT)	R			145		
		CELICA	82/08~83/08	GA61(XX2000,GT)	R			146		
		CELICA CAMRY	80/08~82/02	TA57,RA55,56	R			146		
		CORONA	82/01~83/10	TT142	R			153		
		CORONA	83/10~85/08	AT141,TT142	R			153		
		CRESSIDA/MARK II/CHASER/CRESTA	76/12~80/08	RX31,41,MX31,33,41,43,TX30, 40,RX30,40,MX30,40,LX40	R			157		
		CRESSIDA/MARK II/CHASER/CRESTA	80/09~82/08	GX61,MX61,63(GRANDE) TX60,RX60,GX60(SED),LX60	R			157		
		CRESSIDA/MARK II/CHASER/CRESTA	80/09~84/07	RX63,GX61,MX61 (GRANDE,Excl.Hard Sus.)LX65 SX60,LX60	R			157		
		CRESSIDA/MARK II/CHASER/CRESTA	82/08~84/07	GX61(GRANDE,Hard Sus.) Twincam	R			158		
		CRESSIDA/MARK II/CHASER/CRESTA HILUX	84/08~88/08	SX70(All),YX70,72,LX70 RN135	R F			158 166		
		2497	TOYOTA	CARINA	77/08~85/08	TA40,41,42,45,46,47,RA40,45,46 AA60,AA60G,SA60 SED Coupe CA60	R	225	002	144
				CARINA	85/08~88/04	SA60 SED Coupe,AA60,AA60G	R			144
CELICA	77/08~80/07			TA40,45,RA40,RA45 (GT,GTV,GTR) 13inch Tire TA41,42,46,RA40,46(ET,LT,XT, ST,SE) ,TA47 TA45,RA45(13inch Tire), TA41,46,47,RA46,SA60	R			145		

STOCK NO.

O.E.M. NO.

KIT

2000 SERIES

TOKICO NO.	MANUFACTURER	VEHICLE	YEAR	MAKE & MODEL	VEHICLE POSITION	KIT NO.		REF PAGE
						UPPER	LOWER	
2497	TOYOTA	CELICA	78/04~85/07	TA40,45,RA40,RA45(GT,GTV, GTR) 14inch Tire,MA45,46(XX Model) TA64	R			145
		CELICA	84/01~85/07	SA60	R			146
		CELICA CAMRY	80/01~82/02	TA4	R			146
		CORONA	78/09~81/12	TT131,RT133(SL,CXS),TT130	R			153
		CORONA	78/09~81/12	TT131,RT133(SL,CXS),TT132, RT132	R			153
		CORONA	82/01~83/10	CT140(GX,EX Saloon)	R			153
		CORONA	82/01~85/08	AT140,ST140 CT140(GX,EX Saloon),AT140	R			153
		CORONA	82/01~	C/T140(STD)	R			153
		CORONA	85/08~87/12	ST140	R			153
		CORONA	85/08~87/12	AT140	R			153
		CORONA	86/12~	CT141	R			154
		CRESSIDA/MARK II /CHASER/CRESTA	80/11~82/08	GX60(Wagon)	R			157
		CRESSIDA/MARK II /CHASER/CRESTA	82/08~84/07	GX60(Wagon)	R			158
		2501	MAZDA	PROCEED	77/04~	PE2	F	172
2502	MAZDA	PROCEED	77/04~	PE2	R	157	157	88
2503	MAZDA	BONGO/BONGO BONDY	77~80/02	BA2 (Incl.10-seater Wagon,Excl.9-seater Wagon)	F	157	014	82
		BONGO/BONGO BONDY	78/10~80/02	BA2V8H(9-seater Wagon)	F			82
		BONGO/BONGO BONDY	80/02~83/04	All BA2 (Incl.Wagon,Multi Van, Wide & Low)	F			82
2504	DAIHATSU	HIJET	83/10~84/10	S65(Agricultural 12 Tire Model)	R	002	002	53
		HIJET	83/10~84/10	S65V(LX,Incl.Turbo)(Van)	R			53
		HIJET	84/10~86/05	S65(Agricultural 12 Tire Model)	R			53
		HIJET	84/10~86/05	S65V(LX,Incl.Turbo)(Van)	R			53
	MAZDA	BONGO/BONGO BONDY	77~80/02	BA2 (Incl.10-seater Wagon,Excl.9-seater Wagon)	R			82
		BONGO/BONGO BONDY	80/02~83/04	All BA2 (Incl.Wagon,Multi Van, Wide & Low)	R			82
	MITSUBISHI	LANCER CELESTE	75/10~81	A71,73,142,143,144,146	R			96
		LANCER/LANCER EX	72~76/11	A72(1400),A75(1200),A71(1200)	R			98
		LANCER/LANCER EX	72~76/11	A73(1600)	R			98
		LANCER/LANCER EX	76/12~79/04	A72(1400),A75(1200), A141(1200),A143(1400)	R			98
TOYOTA	LANCER/LANCER EX	76/12~79/04	A73(1600),A144(1600)	R			98	
	DYNA	95/05~	LY211R,YY211R(RH Steering with Rear Double tire)	R			160	
●2506	MAZDA	TITAN	79/03~85/07	RY20,21,31,32,LY20,21,30,31	R			176
			76/04~80/10	TA2X4(3700cc)(Chassis No) 017003~,TA2XD(3700cc) (Chassis No)010925~, TA2XD(3700cc)(Chassis No) 010925~,TA3H1(3000cc)Excl. Wide & Low(Chassis No) 135466~,TA3H4(3000cc)Excl. Wide & Low(Chassis No) 115511~,EXR15(2500cc), (Chassis No)042832~	R	216	216	89
2507	DAIHATSU	HIJET	77/03~78/02	S60	R	002	002	53
		HIJET	78/02~79/09	S60(Truck with Flat Low Deck)	R			53
2508	DAIHATSU	FELLOW MAX/MAX CUORE	70~74	L38(Incl.Hardtop SL,GXL)	R	180	015	52
		FELLOW MAX/MAX CUORE	73/04~76/05	L38(Incl.Hardtop GL,TL)	R			52
		FELLOW MAX/MAX CUORE	76/06~80/05	L40	R			52
2509	TOYOTA	STOUT	74/08~79/02	RK101	F	104	002	174
2510	DAIHATSU	HIJET	77/03~78/02	S60	F	104	014	53
		HIJET	78/02~79/09	S60(Truck with Flat Low Deck)	F			53
		HIJET	78/02~79/09	S60(Excl.Truck with Flat Low Deck) (Incl.Van,Panel Van)	F			53
		HIJET	79/09~81/03	S60 ,All	F			53
2515	TOYOTA	HILUX	79/05~80/08	RN30,33,4 ,LN30,40	F	172	004	164
		HILUX	80/08~88/09	RN33,35,43,45,LN30,40,41	F			165
2518	DAIHATSU	DELTA	77~77/08	SL17L(Long Body), SV18L(Long Body)	F	002	002	51

STOCK NO.

O.E.M NO.

KIT

2000 SERIES

TOKICO NO.	MANUFACTURER	VEHICLE	YEAR	MAKE & MODEL	VEHICLE POSITION	KIT NO.		REF PAGE
						UPPER	LOWER	
2518	DAIHATSU	DELTA	70~77/08	SV16T,17(T*W)(High Floor* Double Cab)	F			52
	MITSUBISHI	COLT GALANT L300/DELICA	74~77	A112V(Van)	R			93
			83/11~	LO35GV,W,37GV,W,38GW LO37GV,W,LO38GW,LO38GV	R			95
	NISSAN	STANZA/AUSTER/VIOLET DATSUN TRUCK/DATSUN PICKUP DATSUN TRUCK/DATSUN PICKUP	77/05~81/06	VA10,11(Van)	R			116
			85/08~98/02	D21(2WD)	R			110
			98/02~02/08	D22(2.4,2.5,TD 2WD)	R			110
	TOYOTA	CORONA CRESSIDA/MARK II /CHASER/CRESTA	61~66	RT26G,46G	R			152
			68~71/12	RT76,77,78(SW),RT6,RT7(Incl. SL,GSL,GSS)	R			157
		TOYO ACE	71/09~79/02	PY10 Serise,RY10 ,12,14,JY16 (1.25t,1.5t)	R			176
		TOYO ACE	72/07~79/02	JY16(2ton)	F			176
HILUX		68~78/07	RN10,13,15,16,RN2	R			164	
HILUX		78/07~79/05	RN30,40	R			164	
HILUX	79/05~80/08	RN30,33,4 ,LN30,40	R			164		
HILUX	80/08~88/09	RN33,35,43,45,LN30,40,41	R			165		
2546	MITSUBISHI	L200/FORTE/TRITON	78/09~	LO21P,LO22P,K11T,K12T, K14T(2WD)	F	104	104	95
2547	MITSUBISHI	L200/FORTE/TRITON	78/09~	LO21P,LO22P,K11T,K12T, K14T(2WD)	R	002	002	95
2548	SUZUKI	JIMNY	77/08~81	SJ20 ,SJ10	R	104	002	136
2549	TOYOTA	CORONA CORONA CORONA	78/09~82/08	RT130,131(LPG)	R	225	002	153
			82/09~86/12	YT140(LPG)	R			153
			88/01~	YT140(LPG)	R			154
2550	TOYOTA	CARINA	81/09~85/08	TA67V,CA67V	R	161	002	144
		CARINA	85/08~85/11	TA67V,CA67V	R			144
		COROLLA/SPRINTER	77/01~79/02	TE51,52,56,61,62,66(SR,LEVIN TRUENO,GT),TE5,TE6(LB), TE55,65,TE56(SR),TE66(SR)	R			147
		COROLLA/SPRINTER	77/03~79/02	KE5,KE6(LB)	R			147
		CORONA	78/09~81/12	TT137V,138V,RT137V(Van)	R			153
		CORONA	82/01~83/10	TT147V(Van)	R			153
		CORONA	83/10~85/08	KT147V,CT174V***Van	R			153
		CORONA	85/08~	KT147V,CT174V***Van	R			154
		CRESSIDA/MARK II /CHASER/CRESTA	76/12~80/08	MX35,45(Wagon)	R			157
		CRESSIDA/MARK II /CHASER/CRESTA	80/11~82/08	TX67V,LX67V(Van)	R			157
CRESSIDA/MARK II /CHASER/CRESTA	82/08~84/07	TX67V,LX67V(Van)	R			158		
2553	NISSAN	VANETTE(SUNNY/CHERRY/DATSUN)/NOMADO	78/10~88/10	C120,C121,C122 e All	F	015	002	121
2554	NISSAN	DATSUN TRUCK/DATSUN PICKUP VANETTE(SUNNY/CHERRY/DATSUN)/NOMADO	85/08~98/02	D21	R	002	002	110
			78/10~88/10	C120,C121,C122 e All	R			121
●2556 (1138)	NISSAN	SUNNY/SENTRA SUNNY/SENTRA	77/11~81/09	B310(Excl.GX)	R	165	015	118
			77/11~81/09	B310(1400,1500)	R			118
2566	NISSAN	DATSUN TRUCK/DATSUN PICKUP	79/09~85/07	720 All(Excl.4WD)	F	209	015	109
2568	MITSUBISHI	MIRAGE/MIRAGE II /LANCER FIORE	78/08~83/09	A151,152,155,156(1200,1400) A153,157(1600)	R	015	015	99
		TREDIA/CORDIA	82/03~82/09	A211A(GL,GX,GF) A212A (SX,GT,GSR,Super Saloon) A213A(SE,Super Saloon)	R			101
		TREDIA/CORDIA	82/10~83/11	A211A(GL,GX,GF) A212A (SX,GT,GSR,Super Saloon) A213A(SE,Super Saloon)	R			101
		TREDIA/CORDIA	83/12~87	A211A(GL,GX,GF) A212A (SX,GT,GSR,Super Saloon) A213A(SE,Super Saloon)	R			101
		TREDIA/CORDIA	84/08~87	A215A(Super Saloon)	R			101
2572	TOYOTA	COROLLA/SPRINTER COROLLA/SPRINTER	79/03~83/05	KE70,AE70	R	161	002	147
			79/03~85/04	TE70,71,CE70 AE85(LEVIN,TRUENO)	R			147
2583	TOYOTA	STOUT	79/03~86/03	RK101,111	F	161	002	174
2612	DAIHATSU	DELTA 750 DELTA 750	79/10~82/09	KD20(Double Tire)	F	161	014	52
			79/10~82/09	KD20(Single Tire)	F			52
	TOYOTA	LIGHT ACE	79/10~86/09	KM20V,21V,YM20V,CM20V KM20,21,CM20	F			171
		LIGHT ACE	79/10~86/09	TM20G,YM21G,CM20G(Wagon) KM20(Truck,Double Tire)	F			171

STOCK NO.

O.E.M NO.

KIT

2000 SERIES

TOKICO NO.	MANUFACTURER	VEHICLE	YEAR	MAKE & MODEL	VEHICLE POSITION	KIT NO.		REF PAGE
						UPPER	LOWER	
2612	TOYOTA	TOWN ACE	82/11~86/09	KM21,CM20(Just-Low w/Cab Model Double Tire w/o Tail Gate Model),YM25,CM25	F			175
		TOWN ACE	82/11~86/09	KM21,CM20(Truck,Double Tire)	F			175
		TOWN ACE	82/11~85/08	YR26V,CR26V,27V(GL),(Van)	F			175
		TOWN ACE	85/08~	YR26V,CR26V,27V(GL)***Van	F			175
		KIJANG CAPSUL KIJANG GRAND EXTRA	97~		F			167 167
2614	MAZDA	BONGO/BONGO BONDY	78/10~80/02	BA2V8H(9-seater Wagon)	R	002	002	82
		BONGO FORD J80/SPECTRON/BRAWNY	83/12~97/04	SEF8TE(2WD),TRUCK	R			82
		BONGO FORD J80/SPECTRON/BRAWNY	87/12~97/04	SE28ME(4WD),TRUCK	R			82
		FORD J100	84/02~	SDEATF,VF,SD2ATF,VF	R			86
	MITSUBISHI	ADVENTURE	97~00	VB2W(Philippin made)	R			92
		L400/SPACE GEAR	94/06~	PA3V,PA5V,PB3V,PB5V(2WD, Rear Leaf Spring Suspension)	R			96
●2617	ISUZU	GEMINI	79/11~87/01	PF60(ZZT,ZZL,ZZR,ZZT)	R	104	015	73
2618	ISUZU	FASTER/RODEO/TROOPER/CAMBO/BRAVA HI-LANDER	80/10~ 00~	KBD21,26 MSG-5K(2.5D),AWO3-72LE (2.5Turbo-D)	F F	104	015	72 73
		HIGHPACK VAN	83/01~	UFR52G	F			73
2619	ISUZU	FASTER/RODEO/TROOPER/CAMBO/BRAVA	80/10~	KBD21,26	R	002	002	72
		FASTER/RODEO/TROOPER/CAMBO/BRAVA	80/10~	KBD41(4WD),46(4WD)	R			72
		RODEO BIG HORN/TROOPER	81/09~	UBS52	RR			73
		HI-LANDER	00~	MSG-5K(2.5D),AWO3-72LE (2.5Turbo-D)	R			73
	TOYOTA	TOWN ACE	79/11~82/10	RR11,21(Just-Low)	R			175
2620	NISSAN	PATROL/SAFARI	80/06~82/07	KR160,VR160,JR160 (HARDTOP,High Roof)	F	161	161	112
		PATROL/SAFARI	80/06~82/07	VRG160,161,ARG160(Van)	F			112
		PATROL/SAFARI	80/06~82/07	FG160,161(Fire Engine)	F			112
●2621	NISSAN	PATROL/SAFARI	80/06~82/07	KR160,VR160,JR160 (HARDTOP,High Roof)	R	002	161	112
2649	TOYOTA	HILUX	79/10~83/10	RN36,39(4WD)	F	161	015	165
		HILUX	81/10~83/10	LN36,46(Diesel 4WD)	F			165
		HILUX	83/11~88/09	LN60,65,YN60,65(4WD)	F			165
		HILUX	84/05~88/09	LN60,YN60V(4WD VAN)	F			165
2650	NISSAN	TERRANO/PATH FINDER	86/08~89/10	WBVD21,WNYD21,VBVD21	R	002	002	121
		TERRANO/PATH FINDER	87/10~93	WBVD21,WNYD21,WHYD21, VBVD21(Euro & N.America)	R			121
	TOYOTA	HILUX	79/10~83/10	RN36,39(4WD)	R			165
		HILUX	81/10~83/10	LN36,46(Diesel 4WD)	R			165
2654	NISSAN	PATROL/SAFARI	80/06~82/07	VRG160,161,ARG160(Van)	R	002	161	112
2655	MAZDA	TITAN	76/04~80/10	TA2X4(3700cc)(Chassis No) 017003~,TA2XD(3700cc) (Chassis No)010925~, TA2XD(3700cc)(Chassis No) 010925~,TA3H1(3000cc)Excl. Wide & Low(Chassis No) 135466~,TA3H4(3000cc)Excl. Wide & Low(Chassis No) 115511~,EXR15(2500cc), (Chassis No)042832~	F	229	235	89
		TITAN	78/10~80/10	TA3H1(3000cc) Wide & Low(Chassis No)135466~ TA3H4(3000cc) Wide & Low(Chassis No)115511~	F			89
●2656	MAZDA	TITAN	78/10~80/10	TA3H1(3000cc) Wide & Low(Chassis No)135466~ TA3H4(3000cc) Wide & Low(Chassis No)115511~	R	243	229	89
2657	MAZDA	TITAN	80/10~87on	All WEW,WEX,WEY,WEZ,WE5, WEF,WEL WE14,17	F	237	002	89
		TITAN WALK THROUGH	83/05~	WEFTA(1.75t W Tire)	F			89
2658	MITSUBISHI	L200/FORTE/TRITON	80/10~81/02	LO22G,26G(4WD)	F	104	014	95
2659	MITSUBISHI	L200/FORTE/TRITON	80/10~81/02	LO22G,26G(4WD)	R	002	002	95
		L200/FORTE/TRITON	81/03~	K22T,K24T,K32T,K33T,K34T (4WD)	R			95
2663	TOYOTA	DYNA	85/08~95/05	YY,LY50,60	F	161	002	160

STOCK NO.

O.E.M. NO.

KIT

2000 SERIES

TOKICO NO.	MANUFACTURER	VEHICLE	YEAR	MAKE & MODEL	VEHICLE POSITION	KIT NO.		REF PAGE
						UPPER	LOWER	
2663	TOYOTA	DYNA	95/05~	LY211,YY211(Rear Single Tire)	F			160
		DYNA	95/05~	LY211R,YY211R(RH Steering with Rear Double tire)	F			160
		TOYO ACE	79/03~85/07	RY20,21,31,32,LY20,21,30,31	F			176
2692	ISUZU	RODEO BIG HORN/TROOPER	81/09~	UBS52	RL	002	002	73
2693	ISUZU	RODEO BIG HORN/TROOPER	81/09~	UBS52	F	104	015	73
2697	SUZUKI	JIMNY	81/05~	SJ30 ,SJ40 ,JA51C,V,W,JA71C, V,SJ413,ST410,JA7	R	002	002	136
●2700	NISSAN	BLUEBIRD	82/01~83/09	J910***Wagon	R	002	002	105
2713	TOYOTA	LIGHT ACE	85/09~	KM30G(XL7,Super Casual,GXL, FXV),YM30G CM30G(SW,DX), KM31V	F	161	014	171
		LIGHT ACE	85/09~	KM35V(DX),KM36V(DX,Super) ***Just-Low,CM35V,CM36V(DX)	F			171
		MASTER ACE•SURF	82/11~84/08	YR20G,21G,CR21G(Wagon)	F			171
		MASTER ACE•SURF	84/08~	YR20G,(DX,Middle Roof of Touring),YR21G(Touring S), CR21G(DX),(Wagon)	F			171
		MASTER ACE•SURF	85/08~	YR28G,CR28G	F			171
		TOWN ACE	82/11~84/05	YR20G,21G,CR21G(Wagon)	F			175
		TOWN ACE	82/11~85/08	YR26V,CR26V(DX),KR26V(Van)	F			175
		TOWN ACE	84/05~84/08	YR20G,21G,CR21G(Wagon)	F			175
		TOWN ACE	84/05~	YR20G,21G,CR21G	F			175
		TOWN ACE	85/08~	YR20G,21G,CR21G(Anti-Cold Spec.)(Wagon)	F			175
2715	NISSAN	PULSAR/LANGLEY	78/10~82/04	VN10,11,HVN10,11,VUN10, VMN10(Van)	R	015	002	113
		PRAIRIE	82/08~88/08	BM10,PM10,VBN10 All	R			113
●2716	NISSAN	PATROL/SAFARI	80/06~82/07	FG160,161(Fire Engine)	R	002	161	112
2726	TOYOTA	HILUX	83/11~88/09	LN50,51,55,56,YN51,56	F	172	004	165
		HILUX	88/09~	LN80,85,YN80,85	F			165
		HILUX	97/08~	LN145,LN150,RZN152	F			166
		HILUX	97/08~	LN145(Double-Cabin),LN/ RZN147	F			166
2727	TOYOTA	CARINA	82/02~85/08	SA60G	R	225	002	144
		CARINA	85/08~85/11	SA60G	R			144
		CRESSIDA/MARK II/CHASER/CRESTA	84/11~88/08	GX70G(Wagon),YX76V,LX76V (Van)	R			158
2735	MAZDA	BONGO FORD J80/SPECTRON/BRAWNY	83/09~97/04	SSF8VE(2WD),VAN	F	182	014	82
		BONGO FORD J80/SPECTRON/BRAWNY	83/12~97/04	SEF8TE(2WD),TRUCK	F			82
		FORD J80/SPECTRON	83/09~97/04	SS48VF,SS88WF,SSF8F, SSF8VF(Diesel)	F			86
		FORD J100	84/02~	SDEATF,VF,SD2ATF,VF	F			86
2744	TOYOTA	SPRINTER CARIB	82/08~84/08	AL25G	R	161	002	173
		SPRINTER CARIB	84/08~88/01	AL25G(AV1)	R			173
		SPRINTER CARIB	84/08~88/01	AL25G(AV2)	R			173
2751	ISUZU	ASKA	83/04~90	JJ110,JJ120(Turbo)	R	256	015	70
		ASKA	85/06~90	JJ110,JJ510,120(LT,LJ,LX,LF, LS/J)	R			70
		ASKA	85/06~90	JJ120(Excl LS)	R			70
2757	NISSAN	SUNNY/PULSAR/DATSUN AD VAN	82/10~92/06	B11 VB11,VHB11,VSB11 TB11(Van)	R	014	172	118
2768	ISUZU	FASTER/RODEO/TROOPER/CAMBO/BRAVA	82/12~	KBD42(4WD)	R	002	002	72
	TOYOTA	HILUX	83/08~	YN5#,LN5#(STD,DLX)ARL,GEN, ME,LN5,5RMS	R			165
2770	PROTON	SAGA/MPI	85~96	C2#	R	015	015	128
2771	TOYOTA	HILUX	83/11~88/09	LN50,51,55,56,YN51,56	R	002	002	165
2785	TOYOTA	HILUX	83/11~88/09	LN60,65,YN60,65(4WD)	RR	011	011	165
2786	TOYOTA	HILUX	83/11~88/09	LN60,65,YN60,65(4WD)	RL	011	011	165
		HILUX	97/08~	LN165/170,RZN168/173	RL			166
2787	TOYOTA	HILUX	84/05~88/09	LN60,YN60V(4WD VAN)	RR	011	011	165
		HILUX	85/08~98/07	LN61V,YN61V,4WD,VAN,SURF	RR			165
2788	TOYOTA	HILUX	84/05~88/09	LN60,YN60V(4WD VAN)	RL	011	011	165
		HILUX	85/08~98/07	LN61V,YN61V,4WD,VAN,SURF	RL			165

STOCK NO.

O.E.M. NO.

KIT

2000 SERIES

TOKICO NO.	MANUFACTURER	VEHICLE	YEAR	MAKE & MODEL	VEHICLE POSITION	KIT NO.		REF PAGE
						UPPER	LOWER	
2794	MAZDA	PROCEED	85/01~96	B1600,B2000,B2200,B2500, B2600(2WD)	F	172	015	88
		PROCEED	96/03~	2.2i,2.5D PICK UP 2WD	F			88
		PROCEED	96/03~	2.2i,2.5D 2.5TD,2.6i PICK UP 4WD	F			89
		MAZDA FIGHTER(BT50)/FORD RANGER	97~02	J97 A/C(4X2)	F			87
2795	MAZDA	PROCEED	85/01~96	B1600,B2000,B2200,B2500, B2600(2WD)	R	002	002	88
		PROCEED	96/03~	2.2i,2.5D PICK UP 2WD	R			88
		PROCEED	96/03~	2.2i,2.5D 2.5TD,2.6i PICK UP 4WD	R			89
2800	MAZDA	MAZDA FIGHTER(BT50)/FORD RANGER	97~02	J97 A/C(4X2)	R			87
		PAJERO/SHOGUN/MONTERO	83/01~91	L041G,L042G,L043G,L044G, L046G,L047G,L048G,L049G	R	002	002	100
2804	TOYOTA	PAJERO/SHOGUN/MONTERO	91~99/08	V1#V/W,V3#V/W	R			100
		DYNA	85/08~95/05	YY,LY50,60	R	002	002	160
2813	NISSAN	DYNA	95/05~	LY211,YY211(Rear Single Tire)	R			160
		DATSUN TRUCK/DATSUN PICKUP	85/08~98/02	D21(4WD)	F	161	015	110
2814	NISSAN	DATSUN TRUCK/DATSUN PICKUP	85/08~98/02	D21(4WD)	R	002	002	110
		DATSUN TRUCK/DATSUN PICKUP	98/02~02/08	D22(2.4,2.5,TD 4WD)	R			110
2815	TOYOTA	COROLLA/SPRINTER	83/05~	AE85,CE80	R	161	002	147
2816	NISSAN	CARAVAN/HOMY	86/09~99/06	E24 Coach(Excl.Adjustable Type),Micro Bus	R	002	002	106
2820	TOYOTA	MASTER ACE•SURF	85/08~	YR28G,CR28G	R	002	002	171
		TOWN ACE	82/11~85/08	YR26V,CR26V(DX),KR26V(Van)	R			175
		TOWN ACE	82/11~85/08	YR26V,CR26V,27V(GL),(Van)	R			175
		TOWN ACE	85/08~	YR26V,CR26V(DX),KR26V*** Van,YR28G,CR28G(Wagon)	R			175
		TOWN ACE	85/08~	YR26V,CR26V,27V(GL)***Van	R			175
2835	ISUZU	RODEO BIG HORN/TROOPER	86/11~88/08	UBS12,52(Excl.Heavy Duty Sus)	R	161	030	73
		RODEO BIG HORN/TROOPER	86/11~88/08	UBS12,52(Excl.Heavy Duty Sus)	R			74
		RODEO BIG HORN/TROOPER	88/09~	UBS12,52(Excl.Heavy Duty Sus)	R			74
		RODEO BIG HORN/TROOPER	88/09~	UBS12,52(Excl.Heavy Duty Sus)	R			74
●2836 (2835)	ISUZU	RODEO BIG HORN/TROOPER	86/11~88/08	UBS12,52(Excl.Heavy Duty Sus)	R	161	030	74
		RODEO BIG HORN/TROOPER	88/09~	UBS12,52(Excl.Heavy Duty Sus)	R			74
●2841	NISSAN	BLUEBIRD	83/10~86/01	U11(Diesel Van)	R	031	031	105
2842	DAIHATSU	ESPASS	95~	S-91	R	002	002	52
		ESPASS	95~	S-92	R			52
		ZEBRA	87~	S-88/S-89	R			54
	MITSUBISHI	L300/DELICA	86/04~	P01V,02V,05V,12V,15V (Excl.02V,05V BZD,HBZD,HIZD) P03W,05W,15W	R			95
L300/DELICA		86/03~	LO33PW,35PW	R			96	
L300/DELICA		86/03~	LO38P,V,W,LO63PV,LO68P,V	R			96	
2843	MITSUBISHI	L300/DELICA	88/08~	P02V,05V***BZD,HBZD,HIZD	R	002	104	96
●2844	ISUZU	RODEO BIG HORN/TROOPER	86/11~88/08	UBS12,52(Excl.Heavy Duty Sus)	RR	161	030	73
		RODEO BIG HORN/TROOPER	88/09~	UBS12,52(Excl.Heavy Duty Sus)	RR			74
●2845	ISUZU	RODEO BIG HORN/TROOPER	86/11~88/08	UBS12,52(Excl.Heavy Duty Sus)	RL	161	030	73
		RODEO BIG HORN/TROOPER	88/09~	UBS12,52(Excl.Heavy Duty Sus)	RL			74
2846	NISSAN	VANETTE(SUNNY/CHERRY/DATSUN)/NOMADO	85/09~90/07	C22,GC22 2WD All (Excl.1800 Turbo)	R	156	015	121
2857	TOYOTA	HILUX	88/09~	YN80,85,LN80,85	F	104	015	165
		HILUX	88/09~	YN100,105,LN100,106,4WD	F			165
		HILUX	88/09~91/08	LN100,106,YN100,105	F			165
		HILUX	89~97/08	LN105(4WD)	F			165
		HILUX	91/08~	LN100,106,YN100	F			166
2858	TOYOTA	HILUX	88/09~	YN100,105,LN100,106,4WD	RR	011	011	165
		HILUX		RN135 4WD	FL			166
2859	TOYOTA	HILUX	88/09~	YN100,105,LN100,106,4WD	RL	011	011	165
		HILUX		RN135 4WD	FR			166
2861	ISUZU	RODEO BIG HORN/TROOPER	88/04~	UBS	R	002	002	74
		RODEO BIG HORN/TROOPER	88/04~		R			74
●2862 (2861) (E2861)	ISUZU	RODEO BIG HORN/TROOPER	88/04~	UBS	R	002	002	74
		RODEO BIG HORN/TROOPER	88/04~		R			74
2864	ISUZU	RODEO BIG HORN/TROOPER	88/04~	UBS	F	161	015	74
2865	ISUZU	RODEO BIG HORN/TROOPER	88/04~		F	161	015	74

STOCK NO.

O.E.M. NO.

KIT

2000 SERIES

TOKICO NO.	MANUFACTURER	VEHICLE	YEAR	MAKE & MODEL	VEHICLE POSITION	KIT NO.		REF PAGE
						UPPER	LOWER	
2868	TOYOTA	GRESSIDA/MARK II/CHASER/CRESTA	88/10~	GX70G(Wagon),YX76V,LX76V •••Van	R	225	002	158
		DYNA	85/08~95/05	YY,LY50,60	R			160
2869R	ISUZU	CABIN DAMPER	87/07~01/12	CX,CY	F	015	015	70
2870R	ISUZU	CABIN DAMPER	87/07~01/12	CX,CY	R	015	015	70
●2871 (2872) (E2916)	SUZUKI	ESCUDO/VITARA/SE416/SV420/SV620/ X90/SQ416/SQ420/SQ425	89~95	TA01,02,TD01,02	R			136
2872	SUZUKI	ESCUDO/VITARA/SE416/SV420/SV620/ X90/SQ416/SQ420/SQ425	89~95	TA01,02,TD01,02	R	156	015	136
2877	MITSUBISHI	MIRAGE/LANCER FIORE	86/01~88/06	C11A,C12A,C13A,C14A,CA,18A	R	015	015	99
		MIRAGE SALOON/LANCER FIORE	84/06~88/06	C18A	R			99
		MIRAGE SALOON/LANCER FIORE	86/01~89/02	C11A,C12A,C13A,C14A	R			99
2891R	MITSUBISHI	MITSUBISHI FUSO CABIN DAMPER			F	142	002	99
2894R	ISUZU	CABIN DAMPER	85/02~94/03	ES,FT,FR	F	015	015	70
2895R	ISUZU	CABIN DAMPER	85/02~94/03	ES,FT,FR	R	161	015	70
2898	ISUZU	RODEO BIG HORN/TROOPER		UBS	F	161	002	74
2946	TOYOTA	HILUX	83/08~	YN60	R	011	011	165
		HILUX		RN135 4WD	R			166
		HILUX		RN135	R			166
2966	TOYOTA	HILUX	97/08~	LN165/170,RZN168/173	RR	011	011	166
2969	KIA	BESTA	93~	K70Y/Z:2.2D	R	002	002	80
2982	MITSUBISHI	TRITON/L200(PICKUP)	05/07~	KB9T	F	-	014	101
2983	MITSUBISHI	TRITON/L200(PICKUP)	05/07~	KB9T	R	002	002	101
2992	MITSUBISHI	COLT	91~	T120SS	R			93

STOCK NO.

O.E.M. NO.

KIT

20000 SERIES

TOKICO NO.	MANUFACTURER	VEHICLE	YEAR	MAKE & MODEL	VEHICLE POSITION	KIT NO.		REF PAGE
						UPPER	LOWER	
20002	TOYOTA	KIJANG CAPSUL	97~		R			167
		KIJANG GRAND EXTRA			R			167
20004	SUZUKI	APV	04~		R			134
20005	NISSAN	DATSUN TRUCK/DATSUN PICKUP	98/02~02/08	D22(2.4,2.5,TD 4WD)	F			110

STOCK NO.

O.E.M. NO.

KIT

3000 SERIES

TOKICO NO.	MANUFACTURER	VEHICLE	YEAR	MAKE & MODEL	VEHICLE POSITION	KIT NO.		REF PAGE
						UPPER	LOWER	
3004	MITSUBISHI	TRUCK	70~76/03	T62 ,63 ,65 All	F	002	002	101
	NISSAN	MILER	65~69	T442,T442A,T446,T446A	R			112
	TOYOTA	COASTER	67~72/01	RU18,JU18	R			146
		DYNA	69/02~77/08	RU1,JU1,RU15,,JU15(Single Tire),RU10,BU10,JU10(Single Tire),RU12 ,JU12 ,BU12,BU15	R			160
	TOYO ACE	72/07~79/02	JY16(2ton)	R			176	
	STOUT	60~74/08	RK45,RK45(V.P.B)47,1K100 (V.P.B),101,RK101	R			174	
STOUT	63~69	RK40,RK43(LIGHT STOUT)	R			174		
STOUT	74/08~79/02	RK101	R			174		
●3016	NISSAN	CLIPPER	58~65	T63	F	161	002	108
3017	NISSAN	CLIPPER	58~65	T63	R	002	002	108
	TOYOTA	CROWN	75/01~79/08	MS87V	R			159
3024	ISUZU	TRUCK	61~69		F	161	002	74
3025	ISUZU	TRUCK	61~69		R	003	003	74
3037	DAIHATSU	DELTA	70~77/08	DV21,23,26(M)(Mixer)	R	002	002	51
	NISSAN	CEDRIC/GLORIA	71~74	230,K230,N230,(Patrol) KH230,H230(2600) N230,W230(Wagon), 230(Standard),V230(Van)	R			106
		CEDRIC/GLORIA	75~79/10	330,P330(SED),K330, KP330(Hardtop),N330,Q330, 330(Standard) R330(Diesel) V330(Van),VR330(Diesel Van) V430,VR430,VH430(Van)	R			106
		CEDRIC/GLORIA	79/06~83/05	W430,WH430(Wagon) V430,VR430	R			106
		CEDRIC/GLORIA	83/06~87/05	Y30(Wagon),Y30(LPG Wagon) Y30(LPG Van)	R			107
	TOYOTA	DYNA	79/10~84/08	RU20,22,BU20,21,22,23 (Just-Low,B Type w/cab Chassis), BU2 [Dump(3 Rotary)]	R			160
		TOYO ACE	80/04~85/07	JY30(Double Tire),BY30,31(Excl. Just-Low,Aluminum Panel Van)	R			176
		LAND CRUISER	69/03~84/10	FJ43,BJ43,FJ40,BJ40,BJ4 (Capacity:250,350kg) BJ41,V,42,V(Capacity:400kg) BJ44,V,46,V(Capacity:500kg)	R			167
		LAND CRUISER	71/04~80/08	FJ5	R			168
		LAND CRUISER	80/08~87/08	BJ60V,61V,HJ60V,61V BJ60V,61V,FJ60V,61V,62V , BJ61,HJ60,FJ62	R			168
LAND CRUISER		85~	BJ60,FJ60	R			168	
3068	ISUZU	ELF	80~84/05	TL34N(Flat Low Deck)	R	002	002	71
		ELF150/LIGHT ELF	68~	KA20,40,50	R			71
		FARGO/MIDI/SETA	80~86/11	KAG51ZVE(9-Seater Van) WFR10,11,12,50,51,53	R			72
		FARGO/MIDI/SETA	86/11~88/11	WFR10,11,12,50,51,53	R			72
		FARGO/MIDI/SETA	88/11~	WFR10,11,50,51,53(9800series 2WD)	R			72
		FASTER/RODEO/TROOPER/CAMBO/BRAVA	72~76/12	KB20	R			72
	MITSUBISHI	BUS	81/04~	BK215(Micn Bus)	R			92
		ROSA(MICRO BUS)	74~79/03	B200 All	R			100
		ROSA(MICRO BUS)	79/02~	BE201D,211D,BH212F	R			100
		ROSA(MICRO BUS)	83/06~	H214F(Turbo)	R			100
	NISSAN	ATLAS	82/02~	F22(Low Floor Model of Single Tire)	R			104
		CABSTAR/HOMER	78/04~81/12	F20 (Standard Low Floor Model)	R			106
		CARAVAN/HOMY	86/09~99/06	E24 Van All,	R			106
		CLIPPER	66~76/04	T65,D65 All (Single Tire, Excl.Bus)	R			108
		CLIPPER(LIGHT COACH MICRO BUS)	66~76/04	T40 Single Tire All(Excl.Bus)	R			109
		JUNIOR	70~79/09	T654,B657,B664,T40,B658	R			110
MILER		65~69	140,N140	R			112	
CLIPPER		65~69	T440,T440A,T444	R			112	
TOYOTA	COASTER	77/08~82/04	BB1#,RB1#	F			146	

STOCK NO.

O.E.M. NO.

KIT

3000 SERIES

TOKICO NO.	MANUFACTURER	VEHICLE	YEAR	MAKE & MODEL	VEHICLE POSITION	KIT NO.		REF PAGE
						UPPER	LOWER	
3068	TOYOTA	COASTER	82/05~93/01	BB2#,3#,RB2#,HB3#,HDB3# HZB3#	R			146
		DYNA	69/08~77/08	HU15	F			160
		HI ACE(Incl.VAN,WAGON,COMMUTER)	79/12~	RH24,LH24(Double Tire)	R			163
		HI ACE(Incl.VAN,WAGON,COMMUTER)	82/12~87/08	YH61V,62V,LH60V,61V(Van) (Double Tire)	R			163
		LAND CRUISER	69/03~71/04	FJ55	R			167
		LAND CRUISER	69/03~75/01	FJ40,BJ40	R			168
		STOUT	79/03~86/03	RK101,111	R			174
3098	MITSUBISHI	CANTER	82/10~93/10	FE120(E),FE111(B),114(B,BG), 120(B,BW) FE121,FB100,120 FB300,FE311,315(Excl.Small Diameter Tire) FE300,301,305 (Small Diameter W Tire) FE325 FE320,317 FE301,305(S Tire) FE311,315(Damp W Tire) FE321(Small Diameter W Tire) FE325 FE335(BHME,BHZE)	R	002	002	92
		CANTER	85/10~93/10	FE425	R			92
		CANTER	85/10~93/10	FE425	R			92
●3099	NISSAN	CABSTAR/HOMER	76/01~78/03	F20 All	F	002	002	106
		MILER	65~69	T440,T440A,T444	F			112
		MILER	65~69	T442,T442A,T446,T446A	F			112
●3120 (E3120)	NISSAN	CEDRIC/GLORIA	71~74	230,K230,N230,(Patrol) KH230,H230(2600) N230,W230(Wagon), 230(Standard),V230(Van)	F	169	014	106
3121	NISSAN	CEDRIC/GLORIA	65~70	130	R	169	002	106
3124	NISSAN	PATROL/SAFARI	71~79/09	60,VG60	F	161	156	112
3138	NISSAN	CLIPPER	66~76/04	T65,D65 All (Single Tire, Excl.Bus)	F	161	002	108
		CLIPPER	73~76/04	T40 Single Tire All(Excl.Bus)	F			108
		CLIPPER	73~76/04	T40 Double Tire All(Short Chassis) (Excl.Dump 2.5ton)	F			108
		CLIPPER(LIGHT COACH MICRO BUS)	66~76/04	T654,B657,B664,T40,B658	F			109
		CLIPPER/CABALL/BISON/CIVILIAN	71/10~78/01	C240 Double Tire Bus,C340 Bus(Double Tire,Excl.Standard)	F			109
		CLIPPER/CABALL/BISON/CIVILIAN	76/05~81/12	C340 (Truck Single Tire) C340 (Truck Single Tire)	F			109
		CLIPPER/CABALL/BISON/CIVILIAN	76/05~80/05	C340 (High Floor Truck Standard Body 2ton Double Tire)	F			109
		CLIPPER/CABALL/BISON/CIVILIAN	76/05~78/01	C340 (High Floor Truck Long Body 2ton Double Tire2.5ton, Damp 2ton),C340BUS	F			109
		CLIPPER/CABALL/BISON/CIVILIAN	78/02~81/12	C340 (High Floor Truck Long Body 2ton Double Tire 2.5ton) C340 Bus,C340 (High Floor Truck Standard Body 2ton Double Tire Damp 2ton)	F			109
		CLIPPER/CABALL/BISON/CIVILIAN	78/11~81/12	C340 (High Floor Truck Long Body 2ton Double Tire 2.5ton)	F			109
3141	NISSAN	ATLAS	82/02~	F22(Single Tire All,Excl.Low Floor Model)	R	002	002	104
		CABSTAR/HOMER	76/01~78/03	F20 All	R			106
			CABSTAR/HOMER	78/04~81/12	F20 (Excl.Low Floor Model)	R		
	TOYOTA	COASTER	72/02~77/07	RU19,BU19	R			146
		COASTER	77/08~82/04	BB1#,RB1#	R			146
		DYNA	69/08~77/08	HU15	R			160
		DYNA	70/05~77/08	RU15,JU15(Double Tire) RU10,BU10,JU10(Double Tire)	R			160
3143	MITSUBISHI	BUS	81/04~	BK215(Micn Bus)	F	161	002	92
		TRUCK	76/07~83/12	FK102,103,115,116,215,216 FM215,315,316	F			101

STOCK NO.

O.E.M NO.

KIT

3000 SERIES

TOKICO NO.	MANUFACTURER	VEHICLE	YEAR	MAKE & MODEL	VEHICLE POSITION	KIT NO.		REF PAGE
						UPPER	LOWER	
3143	MITSUBISHI	TRUCK	88/10~	FK330,335(Low Floor),337(Low Floor),FK335,337(Mixer),FK345	F			101
		TRUCK	86/11~	FK315,316,325	F			101
		TRUCK	87/10~89	FK415,416,425,515,516	F			101
		TRUCK	87/10~90	FK417,517	F			101
3148	ISUZU	TRUCK	70~74/05	FORWARD SBR	F	161	002	74
3150	MITSUBISHI	ROSA(MICRO BUS)	74~79/03	B200 All	F	104	002	100
		ROSA(MICRO BUS)	76~79/03	B360D	F			100
	TOYOTA	LAND CRUISER	69/03~71/04	FJ55	F			167
		LAND CRUISER	71/04~80/08	FJ5	F			168
		DYNA/TOYOACE	95/05~99/06	BU162,172,182	F			161
3151	TOYOTA	CROWN	71/02~75/11	RS80,MS80	F	161	014	158
		CROWN	74/10~83/08	MS60,62,65,7 ,RS60 RS8,10,MS8,9,10,LS10 (Excl., Van,Incl.Diesel),RS8,10,MS8,9,10,MS110,112,GS110,LS110,111(Incl.Turbo)(*Super Saloon, Royal Saloon Custom Edition, Saloon Edition),RS110,(Excl.Van, Wagon & *mark)MS110G, LS110G,GS110G(Wagon)	F			159
		CROWN	75/01~79/08	MS87V	F			159
		CROWN	79/09~87/09	MS117V,GS117V,LS117V(Van) GS126V,LS126V(Van)	F			159
3155	NISSAN	BLUEBIRD	67/08~70/07	510,P510	R	142	002	104
		BLUEBIRD	70/07~71/05	V510,W510,P510,N510	R			104
		BLUEBIRD	71/05~73/03	510,N510,P510,H510	R			105
		LAUREL	68~71	C30	R			111
		LAUREL	70/06~72/04	C30(Hard Top)	R			111
3160	MAZDA	E2000,E2300,E2500	64~81/05	EVA,EW,EXA,AEX,AEV(Bus)	F	143	144	83
3161	MAZDA	E2000,E2300,E2500	64~81/05	EVA,EW,EXA,AEX,AEV(Bus)	R	143	144	83
		TITAN	71~79	All FV,FX EX,EV	R			89
		TITAN	76~77/06	TA2 (Excl.3700cc)	R			89
3165	ISUZU	ELF	70~84/05	TL-10,20,30(TL-20,1970-74) TL34(Flat Low Deck),KT15A,16A,24A,25A(Flat Low),TL40,50,70	R	003	003	70
		ELF	70~84/05	KS(ELF350),KS,KT,(Excl.15A,16A,24A,25A,26A,Flat Low)	R			71
		ELF(4WD)	87/12~	NPS58,59	R			71
		ELF250 WIDE,350	84/06~	NPR57,59,NPR57,58,59(W Tire)	R			71
		JOURNEY(LIGHT BUS)	72/10~80/01	BL,BE(Deluxe w/Air Conditioner)	R			73
3166	ISUZU	ELF	70~81/09	TL40,50,70	R	003	003	71
		ELF(4WD)	87/09~	NKS58***Damp	R			71
		ELF250	84/06~	NKR55,57(Double Tire*** Wheelbase 2.46m),E2(2.25t,2.75t)	R			71
		ELF250 WIDE,350	86/02~	NPR57,58,59(Small Diameter W Tire)	R			71
		JOURNEY(LIGHT BUS)	72/10~80/01	BL,BE(Excl.Deluxe w/ Air Conditioner)	R			73
		JOURNEY(LIGHT BUS)	80/02~	BL,BE All	R			73
3169	ISUZU	ELF	74~84/05	TL-20,TL23N,24N,34N(Flat Low Deck),TL-20(Excl.Flat Low Deck) TL23N,24N,34N(Flat Low Deck) TL23N,24N(Flat Low Deck)	F	161	002	70
		ELF	70~84/05	TL-10,20,30(TL-20,1970-74) TL34(Flat Low Deck),KT15A,16A,24A,25A(Flat Low),TL40,50,70	F			70
		ELF	70~84/05	TL-60	F			70
		ELF	70~81/09	TL40,50,70	F			71
		ELF	80~84/05	TL34N(Flat Low Deck)	F			71
		ELF	82/06~84/05	KT26A(Flat Low)	F			71
		ELF(4WD)	87/09~	NKS58***Damp	F			71
		ELF(4WD)	87/09~	NKS58***Excl.Damp	F			71
		ELF150	84/06~97	NHR54,55	F			71
		ELF150/LIGHT ELF	68~	KA20,40,50 KAG51ZVE(9-Seater Van)	F			71

STOCK NO.

O.E.M NO.

KIT

3000 SERIES

STOCK NO.	O.E.M NO.	KIT	TOKICO NO.	MANUFACTURER	VEHICLE	YEAR	MAKE & MODEL	VEHICLE POSITION	KIT NO.		REF PAGE
									UPPER	LOWER	
			3169	ISUZU	ELF150/LIGHT ELF	72~84/05	KA41,KA51,KAG41,KAG51,V, KAD41,KAD51,V,(Incl.Flat Low. Excl.Flat Low Van),KA41V, 51V(Van),KAD42,52(Excl.Bus) KA51NV,52NV(Flat Low Van)	F			71
					ELF150/LIGHT ELF	81~82	KAG51ZVE	F			71
					ELF250	84/06~	NKR55,57(Double Tire***E4,Less than 2.6m Wheelbase Excl.2.46m)	F			71
					ELF250	84/06~	NKR55,57(Single Tire,E1 Flat Low Bias ,Double Tire***E3(1.75t,2t)	F			71
					ELF250	84/06~	NKR55,57(Double Tire*** Wheelbase 2.46m),E2(2.25t,2.75t)	F			71
					JOURNEY(LIGHT BUS)	72~	KA41,42,51,52	F			73
			3175	NISSAN	CLIPPER/CABALL/BISON/CIVILIAN	67/09~71/10	C240 Micro Bus,Light Van (GC,GQC,VC,Single Tire) C240 Light Van(VC,Single Tire)	F	161	002	109
					CLIPPER/CABALL/BISON/CIVILIAN	67/09~71/10	C240 Micro Bus,Light Van (GC,GQC,VC,Single Tire) C240 Light Van(VC,Single Tire)	R			109
					CLIPPER/CABALL/BISON/CIVILIAN	68/10~78/01	C240 Micro Bus(GC,GQC Single Tire),C240 Single Tire All (Excl.Bus,light Van),C240 Micro Bus,Single Tire,C240 Light Van, Single Tire(VC),C340 Bus (Single Tire)	F			109
			3178	ISUZU	ELF250	86~97	NKR55,NHR55	R	002	002	71
					HIGHPACK VAN	83/01~	UFR52G	R			73
					JOURNEY(LIGHT BUS)	72~	KA41,42,51,52	R			73
				MITSUBISHI	CANTER	68~82/09	T92,93,98,T215,T217 T210 (Excl.Double Tire Short Body, Dump,Vaccum) FE111(Long Body,3ton Short Body),131	R			92
					CANTER	78/11~85/10	FE211,231,214,234	R			92
					CANTER	82/10~85/10	FE111(BZ,BZ-1,BZB,E,EZ,EZC, EW,EZCW),FE114(BZ,E,EZ,EZC, EW,EZCW) FE134	R			92
					CANTER	85/10~	FE311,334,337,FE335 (Excl.BHME,BHZE)	R			92
					CANTER	85/10~93/10	FE431,434,435,437,444,445 FE447,465,467	R			92
					CANTER	85/10~	FE221	R			93
					CANTER	98/07~	FE645/647/657/659	R			93
					JEEP	70~75	J52,J53,J54,J55,J58,J24,J25, J44,J36	F			95
					JEEP	70~75	J52,J53,J54,J55,J58,J24,J25, J44,J36	R			95
					JEEP	74/09~	J56,58	F			95
					JEEP	74/09~	J56,58	R			95
					ROSA(MICRO BUS)	76~79/03	B360D	R			100
					ROSA(MICRO BUS)	86/06~91/11	BE434,435	R			100
				NISSAN	CLIPPER/CABALL/BISON/CIVILIAN	66~67/09	C240 Micro Bus,Light Van (GHC,GHQC,GC,GQC,VC,Single Tire),C240 Single Tire All (Excl.GHC,GHQC,GC,GQC,VC)	F			109
					CLIPPER/CABALL/BISON/CIVILIAN	66~67/09	C240 Micro Bus,Light Van (GHC,GHQC,GC,GQC,VC,Single Tire),C240 Single Tire All (Excl.GHC,GHQC,GC,GQC,VC)	R			109
					CLIPPER/CABALL/BISON/CIVILIAN	68/10~78/01	C240 Micro Bus(GC,GQC Single Tire),C240 Single Tire All (Excl.Bus,light Van),C240 Micro Bus,Single Tire,C240 Light Van, Single Tire(VC),C340 Bus (Single Tire)	R			109
					CLIPPER/CABALL/BISON/CIVILIAN	76/05~81/12	C340 (Truck Single Tire) C340 (Truck Single Tire) C340 Bus(Single Tire)	R			109
				TOYOTA	COASTER	67~72/01	RU18,JU18	F			146

3000 SERIES

TOKICO NO.	MANUFACTURER	VEHICLE	YEAR	MAKE & MODEL	VEHICLE POSITION	KIT NO.		REF PAGE
						UPPER	LOWER	
3178	TOYOTA	COASTER DYNA	72/02~77/07	RU19,BU19	F			146
			69/02~77/08	RU1,JU1,RU15,JU15(Single Tire),RU10,BU10,JU10(Single Tire),RU12 ,JU12 ,BU12,BU15	F			160
		DYNA	70/05~77/08	RU15,JU15(Double Tire)	F			160
		DYNA	79/10~84/08	RU10,BU10,JU10(Double Tire) RU2,3,BU2,3,JU20(Single Tire) RU3,BU3,HU30(Double Tire), RU20,22,BU20,21,22,23,25 [Double Tire,Excl.,Just-Low, B Type w/Cab Chassis,Dump (3 Rotary)] BU40,41,45,46,50, 51,HU26,40,50 WU26,40,50	R			160
		DYNA	84/09~95/05	YU60,BU60,61,BU62 (Excl. 2.75t),(Double Tire),YU60,70V, BU60,61,62,D,H,70V (Single Tire)	R			160
		TOYO ACE	80/09~85/07	BY30,31(Just-Low,Aluminum Panel Van),JY30(Single Tire)	R			176
		HI ACE(Incl.VAN,WAGON,COMMUTER)	67~82/12	PHI Seires with single tire	R			162
		HI ACE(Incl.VAN,WAGON,COMMUTER)	82/12~84/01	YH50V,52V,61V,62V,71V,B,L, LH50V,51V,LH60V,B,61V,B,70V, B,71V,B (Van,Commuter) (Single Tire)YH61G,LH60G, 61G(Wagon)	R			163
		LAND CRUISER	69/03~84/10	FJ43,BJ43,FJ40,BJ40,BJ4 (Capacity:250,350kg) BJ41,V,42,V(Capacity:400kg) BJ44,V,46,V(Capacity:500kg)	F			167
		LAND CRUISER	69/03~75/01	FJ40,BJ40	F			168
●3205 (E3205)	TOYOTA	CROWN	71/02~75/11	RS80,MS80 MS60,62,65,7 ,RS60	R	014	002	158
3227	NISSAN	JUNIOR	70~79/09	140,N140	F	161	002	110
3228	MITSUBISHI	ADVENTURE ADVENTURE	97~00	VB2W(Philippin made)	F	161	014	92
			00~	VB5W(2.0,2.5D SUV) (Philippin made)	F			92
		L300/DELICA	68~79/06	T100,T120 All(Truck, Van) T100V,T120V,T120	F			95
		L300/DELICA	77/08~86/02	T120,T121All(Truck, Van) LO31,LO32P,LO34P,LO31PUE, LO31P,LO34P,LO31PUE, LO33PV,W,LO35PW,63P	F			95
		L300/DELICA	86/03~	LO33PV,36P(Excl.Low Floor One-Opening),LO63P,LO69P	F			96
		L300/DELICA	86/03~	LO33PW,35PW	F			96
		L300/DELICA	86/03~	LO36P(Low Floor One-Opening),36PV	F			96
		L300/DELICA	86/03~	LO38P,V,W,LO63PV,LO68P,V	F			96
	TOYOTA	HI ACE(Incl.VAN,WAGON,COMMUTER)	67~82/12	PHI Seires with single tire	F			162
	HI ACE(Incl.VAN,WAGON,COMMUTER)	79/12~	RH24,LH24(Double Tire)	F			163	
●3231	NISSAN	CLIPPER	73~76/04	T40 Double Tire All(Short Chassis) (Excl.Dump 2.5ton)	R	002	002	108
		CLIPPER/CABALL/BISON/CIVILIAN	76/05~80/05	C340 (High Floor Truck Standard Body 2ton Double Tire)	R			109
3232	ISUZU	JOURNEY(LIGHT BUS)	76/10~79/04	CCM370,410(Excl.Deluxe Deck)	F	161	002	73
		JOURNEY(LIGHT BUS)	76/10~79/04	CCM370,410 Low Deck	F			73
		TRUCK	75/08~79/10	SBR372(Excl.RL6,RL36)	F			74
		TRUCK	78/08~80/05	FORWARD SCS Bus (SC370WJJX)	F			75
		TRUCK	80/12~83/12	SBR,SCR,SDR (Low Body)	F			75
		TOYOTA	TOYO ACE	79/03~80/04	JY30(Double Tire)	F		
	TOYO ACE	79/03~82/08	JY30(Single Tire)	F			176	
	TOYO ACE	80/04~85/07	JY30(Double Tire),BY30,31(Excl. Just-Low,Aluminum Panel Van)	F			176	
TOYO ACE	80/09~85/07	BY30,31(Just-Low,Aluminum Panel Van),JY30(Single Tire)	F			176		
●3233	NISSAN	CLIPPER	73~76/04	T40 Double Tire All (Long Chassis,Dump,2.5ton)	R	002	161	108

STOCK NO.

O.E.M NO.

KIT

3000 SERIES

STOCK NO.	TOKICO NO.	MANUFACTURER	VEHICLE	YEAR	MAKE & MODEL	VEHICLE POSITION	KIT NO.		REF PAGE
							UPPER	LOWER	
O.E.M. NO.	●3233	NISSAN	CLIPPER/CABALL/BISON/CIVILIAN	71/10~78/01	C240 Double Tire Bus,C340 Bus(Double Tire,Excl.Standard)	R			109
			CLIPPER/CABALL/BISON/CIVILIAN	76/05~78/01	C340 (High Floor Truck Long Body 2ton Double Tire2.5ton, Damp 2ton),C340BUS	R			109
KIT	3235	DAIHATSU	DELTA	77~77/08	SL17L(Long Body), SV18L(Long Body)	R	002	104	51
	3241	MITSUBISHI	CANTER CANTER	68~78/11 78/11~82/09	T90,91,96,97,T200,T204~7 FE100,101	R R	156	002	92 92
O.E.M. NO.	3243	MITSUBISHI	CANTER	68~78/11	T90,91,96,97,T200,T204~7	F	142	002	92
			CANTER	68~82/09	T94,95T214,T216 T210(Double Tire Short Body,Dump,Vaccum) T220,FE111(Short Body Excl.3ton)FE120,121,FB100,120	F			92
			CANTER	68~82/09	T92,93,98,T215,T217 T210 (Excl.Double Tire Short Body, Dump,Vaccum) FE111(Long Body,3ton Short Body),131	F		92	
			CANTER	78/11~82/09	FE100,101	F		92	
			CANTER	82/10~93/10	FE120(E),FE111(B),114(B,BG), 120(B,BW) FE121,FB100,120 FB300,FE311,315(Excl.Small Diameter Tire) FE300,301,305 (Small Diameter W Tire) FE325	F		92	
			CANTER	82/10~85/10	FE111(BD,BDT,BZE,BZEC),100, 101,FE114(BD,BDT),FE120(E)	F		92	
			CANTER	82/10~85/10	FE111(BG,BN,BN-1,BNFW) FE114(BN,BNFW,BDN-3,BDN3K)	F		92	
			CANTER	82/10~85/10	FE111(BZ,BZ-1,BZB,E,EZ,EZC, EW,EZCW),FE114(BZ,E,EZ,EZC, EW,EZCW) FE134	F		92	
			CANTER	85/10~93/10	FB300,FE301,305(Small Diameter Tire) FE300(Excl. Small Diameter W Tire) FE311, 315(Special Car With Chassis W Tire)	F		92	
			CANTER	85/10~	FE311,334,337,FE335 (Excl.BHME,BHZE)	F		92	
CANTER	85/10~93/10	FE320,317 FE301,305(S Tire) FE311,315(Damp W Tire) FE321(Small Diameter W Tire) FE325 FE335(BHME,BHZE)	F		92				
	3244	MAZDA	TITAN	71~79	All FV,FX EX,EV	F	104	104	89
	3252	TOYOTA	CROWN	74/10~83/08	RS8,10,MS8,9,10,LS10 (Excl., Van,Incl.Diesel),RS8,10,MS8,9, 10,MS110,112,GS110,LS110, 111(Incl.Turbo)(*Super Saloon, Royal Saloon Custom Edition, Saloon Edition),RS110,(Excl.Van, Wagon & *mark)MS110G, LS110G,GS110G(Wagon)	R	161	002	159
	3253	TOYOTA	DYNA	77/08~79/10	RU2 ,3,BU2 ,3,JU20(Single Tire)	F	161	002	160
			DYNA	77/08~79/10	RU3 ,BU3 ,HU30(Double Tire) RU20,22,BU20,21,22,23,25 [Double Tire,Excl.Just-Low, B Type w/Cab Chassis,Dump (3 Rotary)]	F			160
			DYNA	77/08~88/08	RU20,22,BU20,21,22,23 (Just-Low,B Type w/Cab Chassis) BU2 [Dump(3 Rotary)]	F		160	
			DYNA	79/10~84/08	RU2,3,BU2,3,JU20(Single Tire) RU3,BU3,HU30(Double Tire), RU20,22,BU20,21,22,23,25 [Double Tire,Excl,Just-Low, B Type w/Cab Chassis,Dump (3 Rotary)] BU40,41,45,46,50, 51,HU26,40,50 WU26,40,50	F		160	

3000 SERIES

TOKICO NO.	MANUFACTURER	VEHICLE	YEAR	MAKE & MODEL	VEHICLE POSITION	KIT NO.		REF PAGE
						UPPER	LOWER	
3253	TOYOTA	DYNA	79/10~84/08	RU20,22,BU20,21,22,23 (Just-Low,B Type w/cab Chassis), BU2 [Dump(3 Rotary)]	F			160
		DYNA	84/09~95/05	BU90,95,WU90,95,BU85(Excl. 2.75t,3t),BU77,WU75D,YU80, BU62 (2.75t Fire Engine), BU64D,BU80,81,BU82(2t)	F			160
		DYNA	84/09~95/05	BU85,V,BU93,98(2.75t,3t)	F			160
		DYNA	84/09~95/05	YU60,BU60,61,BU62 (Excl. 2.75t),(Double Tire),YU60,70V, BU60,61,62,D,H,70V (Single Tire)	F			160
		DYNA	84/09~87/08	BU60,61,62(Excl.SINGLE TIRE)	F			160
		MASSY DYNA	75/02~80	EC20,EC22,EC23	F			171
		DYNA/TOYOACE	95/05~00/05	BU132(T3,T4)	F			160
		DYNA/TOYOACE	95/05~00/05	XZU130(CBU,IV3)	F			160
		DYNA/TOYOACE	95/05~99/05	BU100,102,12#(ST)	F			161
		DYNA/TOYOACE	95/05~99/06	BU202.212,222(IV3) Rear hard spring	F			161
		DYNA/TOYOACE	97/12~99/06	B212(30T)	F			161
		DYNA/TOYOACE	95/05~98/06	BU112 DMP	F			161
		DYNA/TOYOACE	95/05~98/06	BU112	F			161
		DYNA/TOYOACE	98/06~99/05	BU112	F			161
		DYNA/TOYOACE	95/05~00/05	BU102(T3)	F			161
		DYNA/TOYOACE	95/05~00/05	BU102(T4)	F			161
DYNA/TOYOACE	95/05~00/05	BU14#,RZU140,XZU140	F			161		
DYNA/TOYOACE	95/05~00/05	BU10#,RZU100,(DM2,DM5,T2, T3,T4,TW1,TW4)WT,20T	F			161		
●3254 (E3279)	NISSAN	CEDRIC/GLORIA	75~79/10	330,P330(SED),K330, KP330(Hardtop),N330,Q330, 330(Standard) R330(Diesel) V330(Van),VR330(Diesel Van) V430,VR430,VH430(Van)	F	169	014	106
3256	HINO	BUS	76/02~80/01	AM100(Light Bus RAINBOW), w/Air Conditioner	F	104	002	58
		BUS	76/02~80/01	AM100(Light Bus RAINBOW), w/0 Air Conditioner	F			58
		BUS	80/01~	AM101(Light Bus RAINBOW)	F			58
		RANGER TRUCK	72~79/09 78/03~80	KR,KU All LB700,720,760	F F			58 59
3257	NISSAN DIESEL	BUS	75/12~80/03	RM90	F	161	002	124
		TRUCK	75~83/04	CM80,84,85,90	F			124
3260	MITSUBISHI	CANTER	68~82/09	T94,95T214,T216 T210(Double Tire Short Body,Dump,Vaccum) T220,FE111(Short Body Excl.3ton)FE120,121,FB100,120 FE221	R	002	002	92
		CANTER	80/02~82/09		R			92
●3261	DAIHATSU	DELTA	70~77/08	DV21,23,26(M)(Mixer)	F	002	015	51
3267	TOYOTA	DYNA	77/08~79/10	RU3 ,BU3 ,HU30(Double Tire) RU20,22,BU20,21,22,23,25 [Double Tire,Excl.Just-Low, B Type w/Cab Chassis,Dump (3 Rotary)]	R	002	002	160
		DYNA	84/09~95/05	BU90,95,WU90,95,BU85(Excl. 2.75t,3t),BU77,WU75D,YU80, BU62 (2.75t Fire Engine), BU64D,BU80,81,BU82(2t)	R			160
		DYNA	84/09~95/05	BU62H-MDDHT3,BU82(2.75t,3t)	R			160
3268	TOYOTA	DYNA	77/08~79/10	RU2 ,3,BU2 ,3,JU20(Single Tire)	R	002	002	160
		TOYO ACE	79/03~82/08	JY30(Single Tire)	R			176
3269	TOYOTA	DYNA	77/08~88/08	RU20,22,BU20,21,22,23 (Just-Low,B Type w/Cab Chassis) BU2 [Dump(3 Rotary)]	R	002	002	160
		TOYO ACE	79/03~80/04	JY30(Double Tire)	R			176
3271	DAIHATSU	DELTA	77/08~84/09	V10,11,13,17,20,23,24,30,31, 33,34,40,47,54	R	015	015	52
		DELTA	84/09~	V57,78,98(Single Tire, Special Chassis)	R			52

STOCK NO.

O.E.M NO.

KIT

3000 SERIES

STOCK NO.	TOKICO NO.	MANUFACTURER	VEHICLE	YEAR	MAKE & MODEL	VEHICLE POSITION	KIT NO.		REF PAGE
							UPPER	LOWER	
O.E.M NO.	3271	DAIHATSU	DELTA	84/09~	V78,98 (Double Tire,Excl.Low Deck,Special Chassis)	R			52
		HINO	RANGER	78/08~81/02	HV10,11,17,20,23 (Incl.Dump,Mixer)	R			58
			RANGER	81/02~	HV10,11,17,20,23 (Incl.Dump,Mixer)	R			58
			RANGER	84/09~	HV98H,HS,PWS,M,D,DJ,DK, HV78(All)	R			58
KIT	3272	DAIHATSU	DELTA	77/08~84/09	V12,18,32,42,48	R	015	015	52
		DELTA	84/09~	V79(High Floor 3-side Opening), V99(Excl.Low Deck),V76	R			52	
		HINO	RANGER	79/01~81/02	HV12H,18H,48H(High Floor 3-side Opening Double Tire Long Body)	R			58
	RANGER		81/02~	HV12H,18H,42H,48H(High Floor 3-side ,Opening Double Tire Long Body)	R			58	
	RANGER		84/09~	HV76HU,79HU,99HU	R			58	
	3275	NISSAN	ATLAS	82/02~	F22(Low Floor Model of Single Tire)	F	161	015	104
ATLAS			82/02~	F22(Double Tire)	F			104	
ATLAS			82/02~	F22(Single Tire All,Excl.Low Floor Model)	F			104	
ATLAS			82/02~90/07	F22(Double Tire)	F			104	
CABSTAR/HOMER			78/04~81/12	F20 (Excl.Low Floor Model)	F			106	
CABSTAR/HOMER			78/04~81/12	F20 (Long Low Floor Model)	F			106	
CABSTAR/HOMER			78/04~81/12	F20 (Standard Low Floor Model)	F			106	
CARAVAN/HOMY			78/04~80/08	E20 All	F			106	
CARAVAN/HOMY			80/08~86/08	E23 All	F			106	
3279	NISSAN	CEDRIC/GLORIA	79/06~83/05	430,P430,N430,H430,R430, S430,430(LPG),430(Turbo)	F	231	014	106	
		CEDRIC/GLORIA	79/06~83/05	430,P430,N430,H430,R430, S430 W430,WH430(Wagon) V430,VR430	F			106	
3280	NISSAN	CEDRIC/GLORIA	79/06~83/05	430,P430,N430,H430,R430, S430,430(LPG),430(Turbo) 430,P430,N430,H430,R430, S430	R	231	015	106	
●3284	TOYOTA	CROWN	79/09~87/09	MS117V,GS117V,LS117V(Van) GS126V,LS126V(Van)	R	232	002	159	
3313	TOYOTA	LAND CRUISER	80/08~87/08	BJ60V,61V,HJ60V,61V BJ60V,61V,FJ60V,61V,62V , BJ61,HJ60,FJ62	F	161	011	168	
		LAND CRUISER	85/10~87/08	BJ60,HJ60,61,FJ60,62	F			168	
		LAND CRUISER	85/10~87/08	HJ60/61,FJ62 (WGG;G Type Without 10R15-6Tire)	F			168	
		LAND CRUISER	85/10~87/08	HJ60/61,FJ62 (WGG;G Type With 10R15-6Tire)	F			168	
●3316	NISSAN	CLIPPER/CABALL/BISON/CIVILIAN	78/02~81/12	C340 (High Floor Truck Long Body 2ton Double Tire 2.5ton) C340 Bus,C340 (High Floor Truck Standard Body 2ton Double Tire Damp 2ton)	R	002	161	109	
3317	ISUZU	FARGO/MIDI/SETA	80~86/11	WFR10,11,12,50,51,53	F	161	014	72	
		FARGO/MIDI/SETA	86/11~88/11	WFR10,11,12,50,51,53	F			72	
		FARGO/MIDI/SETA	88/11~	WFR10,11,50,51,53(9800series 2WD)	F			72	
3318	DAIHATSU	DELTA	77/08~84/09	V10,11,13,17,20,23,24,30,31, 33,34,40,47,54	F	156	011	52	
		DELTA	77/08~84/09	V12,18,32,42,48	F			52	
		DELTA	77/08~84/09	V15,25,26,35,36,56	F			52	
		DELTA	84/09~	V57,78,98(Single Tire, Special Chassis)	F			52	
		DELTA	84/09~	V57,98(Low Deck, Low Deck Dump)	F			52	
		DELTA	84/09~	V75(High Floor 3-side Opening,standard Dump)	F			52	

3000 SERIES

TOKICO NO.	MANUFACTURER	VEHICLE	YEAR	MAKE & MODEL	VEHICLE POSITION	KIT NO.		REF PAGE
						UPPER	LOWER	
3318	DAIHATSU	DELTA	84/09~	V75,79,99(Special Chassis, Low Deck)	F			52
		DELTA	84/09~	V78,98 (Double Tire,Excl.Low Deck,Special Chassis)	F			52
		DELTA	84/09~	V79(High Floor 3-side Opening), V99(Excl.Low Deck),V76	F			52
	HINO	RANGER	78/08~81/02	HV10,11,17,20,23 (Incl.Dump,Mixer)	F			58
		RANGER RANGER	78/08~81/02 79/01~81/02	HV25L(Low Deck Double Tire) HV12H,18H,48H(High Floor 3-side Opening Double Tire Long Body)	F F			58 58
●3319	DAIHATSU	DELTA	77/08~84/09	V15,25,26,35,36,56	R	015	015	52
		DELTA	84/09~	V57,98(Low Deck, Low Deck Dump)	R			52
	HINO	RANGER	78/08~81/02	HV25L(Low Deck Double Tire)	R			58
	NISSAN	CLIPPER/CABALL/BISON/CIVILIAN	78/11~81/12	C340 (High Floor Truck Long Body 2ton Double Tire 2.5ton)	R			109
3322	HINO	RANGER	80/07~82/06	GD17 ,FD12 ,15 ,17	F	157	002	58
		RANGER	80/12~	FT173A,175A	F			58
		RANGER	81/03~	KD154A	F			58
3338	MITSUBISHI	L200/FORTE/TRITON	81/03~	K22T,K24T,K32T,K33T,K34T (4WD)	F	173	014	95
3347	NISSAN	PATROL/SAFARI	82/08~88/12	KR160,VR160,JR160 (Hardtop,High Roof)	F	161	161	112
		PATROL/SAFARI	82/08~88/12	VRG160,161,ARG160(Van)	F			113
		PATROL/SAFARI	82/08~88/12	FG160,161(Fire Engine)	F			113
3348	NISSAN	PATROL/SAFARI	82/08~88/12	KR160,VR160,JR160 (Hardtop,High Roof)	R	002	161	112
		PATROL/SAFARI	82/08~88/12	VRG160,161,ARG160(Van)	R			113
3349	NISSAN	PATROL/SAFARI	82/08~88/12	FG160,161(Fire Engine)	R	002	161	113
3353	TOYOTA	CROWN	83/08~87/09	GS121,MS123,125(Excl.Height Leveling Type)	F	247	014	159
		CROWN	83/08~87/09	GS120G,LS120G(Wagon) YS120,GS120,MS120,LS120 (Incl.Turbo,LPG)	F			159
		CROWN	83/08~87/09	GS121,MS123,125(Height Leveling Type)	F			159
		CROWN	85/10~87/09	YS120	F			159
3354	TOYOTA	CROWN	83/08~87/09	GS121,MS123,125(Excl.Height Leveling Type)	R	015	002	159
3355	TOYOTA	CROWN	83/08~87/09	GS120G,LS120G(Wagon) YS120,GS120,MS120,LS120 (Incl.Turbo,LPG)	R	161	002	159
		CROWN	87/09~91/09	GS130,LS130,JZS130(Rear 4-link Rigid Axle incl. WAGON)	R			159
3356	NISSAN	CEDRIC/GLORIA	83/06~87/05	Y30 All(Excl. Wagon, Van)	R	246	015	107
3364	TOYOTA	DYNA	84/09~95/05	BU62H-MDDHT3,BU82(2.75t,3t)	F	161	002	160
		DYNA/TOYOACE	95/05~99/05	BU102(IV4)	F			161
3365	TOYOTA	HI ACE(Incl.VAN,WAGON,COMMUTER)	84/01~89/08	YH61G,LH60G,61G(Wagon) YH50V,52V,61V,62V,71V,B, LH50V,51V,LH60V,B,61V,B,70V, B,71V,B (Van,Commuter) (Single Tire),YH61(WAGON), YH50,51,52,61,62,71(VAN, COMMUTER),LH51,61,71(VAN, COMMUTER),LH61,71(WAGON)	R	002	011	163
		HI ACE(Incl.VAN,WAGON,COMMUTER)	86/08~87/08	LH56,66(4WD)	R			163
		HI ACE(Incl.VAN,WAGON,COMMUTER)	87/08~89/08	LH56,LH66,LH66(4DOOR VAN DX)	R			163
		HI ACE(Incl.VAN,WAGON,COMMUTER)	89/08~95/08	LH102,113,115,123,125 RZH102,112,122,124,125 LH110,120,140,RZH110,LH100, RZH100,101	R			163
3373	TOYOTA	LAND CRUISER	84/11~87/08	BJ70,70V,71V,73V,74V	F	161	011	168
		LAND CRUISER	87/08~90/01	BJ75(Leaf Spring Suspension)	F			168
		LAND CRUISER	86/07~	FJ75	F			168
		LAND CRUISER	87/08~	BJ70,70V,71V,73V,74V	F			168
3374	TOYOTA	LAND CRUISER	84/11~87/08	BJ70,70V,71V,73V,74V	R	011	011	168

STOCK NO.

O.E.M NO.

KIT

3000 SERIES

TOKICO NO.	MANUFACTURER	VEHICLE	YEAR	MAKE & MODEL	VEHICLE POSITION	KIT NO.		REF PAGE
						UPPER	LOWER	
3374	TOYOTA	LAND CRUISER	87/08~	BJ70,70V,71V,73V,74V	R			168
3375	TOYOTA	LAND CRUISER	84/11~87/08	FJ75,HJ75,FJ75	R	011	011	168
3383	TOYOTA	CROWN CROWN	85/10~87/09	YS120	R	161	015	159
			87/09~91/09	GS130,LS130,MS130,YS130 GS136,LS136(VAN)	R			159
3384	NISSAN	VANETTE(SUNNY/CHERRY/DATSUN)/NOMADO	85/09~90/07	C22,GC22 2WD All (Excl.1800 Turbo)	F	015	002	121
		VANETTE(SUNNY/CHERRY/DATSUN)/NOMADO	85/09~90/07	C22,GC22 2WD All (Excl.1800 Turbo)	F			121
3388	TOYOTA	HILUX	85/08~98/07	LN61V,YN61V,4WD,VAN,SURF	F	157	015	165
		HILUX	88/08~97/08	RN106/135,LN/YN/RN107/ 110,LN108(4WD)	F			165
		HILUX	89~	Sports wagon	F			165
		HILUX	97/08~	LN160/3L	F			165
		HILUX SURF/4-RUNNER	89/08~95/11	LN165/170,RZN168/173 LN130,LN131,YN130,VZN130 (4WD)	F			166
3391	ISUZU	ELF	74~84/05	TL-20,TL23N,24N,34N(Flat Low Deck),TL-20(Excl.Flat Low Deck) TL23N,24N,34N(Flat Low Deck) TL23N,24N(Flat Low Deck)	R	002	002	70
		ELF150	84/06~97	NHR54,55	R			71
		ELF150/LIGHT ELF	72~84/05	KA41,KA51,KAG41,KAG51,V, KAD41,KAD51,V,(Incl.Flat Low. Excl.Flat Low Van),KA41V, 51V(Van),KAD42,52(Excl.Bus) KA51NV,52NV(Flat Low Van)	R			71
		ELF250	84/06~	NKR55,57(Single Tire,E1 Flat Low Bias ,Double Tire***E3(1.75t,2t)	R			71
3392	TOYOTA	HI ACE(Incl.VAN,WAGON,COMMUTER)	82/12~84/01	YH50V,52V,61V,62V,71V,B,L, LH50V,51V,LH60V,B,61V,B,70V, B,71V,B (Van,Commuter) (Single Tire)YH61G,LH60G, 61G(Wagon)	F	161	015	163
		HI ACE(Incl.VAN,WAGON,COMMUTER)	82/12~85/06	YH51G,LH50G,51G(Wagon)	F			163
		HI ACE(Incl.VAN,WAGON,COMMUTER)	84/01~89/08	YH61G,LH60G,61G(Wagon) YH50V,52V,61V,62V,71V,B, LH50V,51V,LH60V,B,61V,B,70V, B,71V,B (Van,Commuter) (Single Tire),YH61(WAGON), YH50,51,52,61,62,71(VAN, COMMUTER),LH51,61,71(VAN, COMMUTER),LH61,71(WAGON)	F			163
		HI ACE(Incl.VAN,WAGON,COMMUTER)	84/08~85/08	YH51G,LH50G,51G(Wagon)	F			163
		HI ACE(Incl.VAN,WAGON,COMMUTER)	85/06~87/08	YH61V,62V,LH60V,61V(Van)	F			163
		HI ACE(Incl.VAN,WAGON,COMMUTER)	82/12~87/08	(Double Tire)	F			163
		HI ACE(Incl.VAN,WAGON,COMMUTER)	85/08~87/08	YH80,LH80(S Tire,Low Floor)	F			163
		HI ACE(Incl.VAN,WAGON,COMMUTER)	85/08~87/08	YH80,LH80(S Tire,Just-Low)	F			163
		HI ACE(Incl.VAN,WAGON,COMMUTER)	85/08~87/08	YH80,LH80(W Tire)	F			163
		3393	TOYOTA	LAND CRUISER	84/11~87/08	BJ70,LJ70,RJ70,LJ71G	F	161
3394	TOYOTA	LAND CRUISER	84/11~87/08	BJ70,LJ70,RJ70,LJ71G	RR	011	011	168
		LAND CRUISER	87/08~90/01	LJ71	RR			168
3395	NISSAN	CEDRIC/GLORIA	87/06~91/05	Y31,***Incl.,Y31(LPG) Y31***Original TUJY31(Diesel)	R	246	015	107
3397	MITSUBISHI	L300/DELICA	86/06~89/01	LO3GG(4WD TRUCK)	F	169	014	96
		L300/DELICA	89/02~	LO39G(4WD TRUCK)	F			96
		PAJERO/SHOGUN/MONTERO	83/01~91	L041G,L042G,L043G,L044G, L046G,L047G,L048G,L049G L141G,L144G,L146G, L149G(Rear coil spring sus.)	F			100
3401	TOYOTA	LAND CRUISER	84/11~87/08	BJ70,LJ70,RJ70,LJ71G	RL	161	011	168
		LAND CRUISER	87/08~90/01	HJ60(GX)	R			168
		LAND CRUISER	87/08~90/01	HJ60(STD),FJ62(CBU,CBR)	R			168
		LAND CRUISER	87/08~90/01	LJ71	RL			168
●3402	TOYOTA	HI ACE(Incl.VAN,WAGON,COMMUTER)	82/12~85/06	YH51G,LH50G,51G(Wagon)	R	161	011	163
●3403	TOYOTA	HI ACE(Incl.VAN,WAGON,COMMUTER)	85/06~87/08	YH51G,LH50G,51G(Wagon)	R	161	015	163
3404	TOYOTA	HI ACE(Incl.VAN,WAGON,COMMUTER)	85/08~87/08	YH80,LH80(S Tire,Low Floor)	R	002	015	163

STOCK NO.

O.E.M NO.

KIT

3000 SERIES

TOKICO NO.	MANUFACTURER	VEHICLE	YEAR	MAKE & MODEL	VEHICLE POSITION	KIT NO.		REF PAGE
						UPPER	LOWER	
3405	TOYOTA	HI ACE(Incl.VAN,WAGON,COMMUTER)	85/08~87/08	YH80,LH80(S Tire,Just-Low)	R	002	015	163
●3406	TOYOTA	HI ACE(Incl.VAN,WAGON,COMMUTER)	85/08~87/08	YH80,LH80(W Tire)	R	002	002	163
3407	MITSUBISHI	CANTER	78/11~85/10	FE211,231,214,234	F	161	002	92
		CANTER	80/02~82/09	FE221	F			92
		CANTER	82/10~85/10	FE224	F			92
		CANTER	85/10~93/10	FE425	F			92
		CANTER	85/10~93/10	FE431,434,435,437,444,445 FE447,465,467	F			92
3409	MITSUBISHI	CANTER	82/10~85/10	FE111(BD,BDT,BZE,BZEC),100, 101,FE114(BD,BDT),FE120(E)	R	002	002	92
		CANTER	82/10~85/10	FE224	R			92
3415	TOYOTA	LAND CRUISER	85/10~87/08	BJ60,HJ60,61,FJ60,62	RR	011	011	168
		LAND CRUISER	85/10~87/08	HJ60/61,FJ62 (WGG;G Type Without 10R15-6Tire)	RR			168
3416	TOYOTA	LAND CRUISER	85/10~87/08	BJ60,HJ60,61,FJ60,62	RL	011	011	168
		LAND CRUISER	85/10~87/08	HJ60/61,FJ62 (WGG;G Type Without 10R15-6Tire)	RL			168
		LAND CRUISER	85/10~87/08	HJ60/61,FJ62 (WGG;G Type With 10R15-6Tire)	R			168
3418	NISSAN	CARAVAN/HOMY	86/09~99/06	E24 Van All,	F	161	015	106
		CARAVAN/HOMY	86/09~99/06	E24 Coach(Excl.Adjustable Type),Micro Bus	F			106
3419	TOYOTA	CROWN	87/09~95/08	GS131,LS131,MS135,JZS131 (Rear independent Axle)	F	247	014	159
		CROWN	87/09~91/09	GS130,LS130,JZS130(Rear 4-link Rigid Axle incl. WAGON)	F			159
		CROWN	87/09~91/09	GS130,LS130,MS130,YS130 GS136,LS136(VAN)	F			159
●3432	MITSUBISHI	L300/DELICA	82/10~86/02	LO38P,V,W,36PV,W,68P,V,W	F	161	014	96
3433	MITSUBISHI	L300/DELICA	83/11~	LO35GV,W,37GV,W,38GW LO37GV,W,LO38GW,LO38GV	F	104	014	95
3434	MITSUBISHI	L300/DELICA	86/04~	P01V,02V,05V,12V,15V (Excl.02V,05V BZD,HBZD,HIZD)	F	104	015	95
		L300/DELICA	88/08~	P03W,05W,15W P02V,05V**BZD,HBZD,HIZD	F			96
3463	MITSUBISHI	ROSA(MICRO BUS)	79/02~	BE201D,211D,BH212F	F	002	002	100
		ROSA(MICRO BUS)	83/06~	H214F(Turbo)	F			100
3464	DAIHATSU	DELTA	84/09~	V75(High Floor 3-side Opening,standard Dump)	R	015	015	52
3468	NISSAN	CIVILIAN	82/08~83/08	W40(Long Body)	F	156	003	108
		CIVILIAN	82/08~90/06	W40,W40(Short Body)	F			108
		CIVILIAN	84/06~90/06	W40(Turbo,Short Body)	F			108
3469	NISSAN	CIVILIAN	82/08~90/06	W40,W40(Short Body)	R	003	161	108
		CIVILIAN	83/09~90/06	W40(Long Body)	R			108
3470	NISSAN DIESEL	TRUCK	83/05~87/01	CM86(Excl.HIGHWAY TYPE, DOUBLE ACTING),CM87	F	161	002	124
3474	NISSAN	TERRANO/PATH FINDER	87/10~93	WBVD21,WNYD21,WHYD21, VBYD21(Euro & N.America)	F	161	015	121
		TERRANO II /MISTRAL	93~	R20	F			121
3474	TOYOTA	HI ACE(Incl.VAN,WAGON,COMMUTER)	86/08~87/08	LH56,66(4WD)	F			163
		HI ACE(Incl.VAN,WAGON,COMMUTER)	87/08~89/08	LH56,LH66,LH66(4DOOR VAN DX)	F			163
		HI ACE(Incl.VAN,WAGON,COMMUTER)	87/08~89/08	YH57	F			163
		HI ACE(Incl.VAN,WAGON,COMMUTER)	89/08~92/05	LH109,119,129	F			163
		HI ACE(Incl.VAN,WAGON,COMMUTER)	89/08~95/08	LH107	F			163
		HI ACE(Incl.VAN,WAGON,COMMUTER)	89/08~95/08	LH117(4WD WAGON)	F			163
3474	TOYOTA	HI ACE(Incl.VAN,WAGON,COMMUTER)	95/08~	RCH18/19/28/29,LXH18/28, KCH16/46/47(4WD)	F			164
		HI ACE(Incl.VAN,WAGON,COMMUTER)	95/08~	RCH18/19/28/29,LXH18/28, KCH16/46/47(4WD)	F			164
3483	TOYOTA	LAND CRUISER	90/06~96/04	FJ75,HZJ75,FJ75	RL	011	011	169
3484	TOYOTA	LAND CRUISER	90/06~96/04	FJ75,HZJ75,FJ75	RR	011	011	169
3529	TOYOTA	HI ACE(Incl.VAN,WAGON,COMMUTER)	89/08~95/08	LH102,113,115,123,125 RZH102,112,122,124,125 LH110,120,140,RZH110,LH100, RZH100,101	F	161	015	163
		HI ACE(Incl.VAN,WAGON,COMMUTER)	89/08~95/08	LH55,66(VAN,WAGON, COMMUTER)	F			163

STOCK NO.

O.E.M NO.

KIT

3000 SERIES

TOKICO NO.	MANUFACTURER	VEHICLE	YEAR	MAKE & MODEL	VEHICLE POSITION	KIT NO.		REF PAGE
						UPPER	LOWER	
3529	TOYOTA	HI ACE(Incl.VAN,WAGON,COMMUTER)	93/08~95/08	KZH100/101G,LH100/101G, RZH100/101G for Mexico	F			164
		HI ACE(Incl.VAN,WAGON,COMMUTER)	95/08~	RCH12/13/22/23,LXH12/22, KCH10/40,RCH41(2WD)	F			164
		HI ACE(Incl.VAN,WAGON,COMMUTER)	96/11~98/08	RZH135(Van/Commuter)	F			164
		HI ACE(Incl.VAN,WAGON,COMMUTER)	98/08~	RZH135(Van/Commuter)	F			164
		HI ACE(Incl.VAN,WAGON,COMMUTER)	96/11~	RZH153(Van/Commuter)	F			164
		HI ACE(Incl.VAN,WAGON,COMMUTER)	98/08~	LH154(Van/Commuter)	F			164
3530	TOYOTA	HI ACE(Incl.VAN,WAGON,COMMUTER)	89/08~95/08	LH55,66(VAN,WAGON, COMMUTOR)	R	002	011	163
3537	ISUZU	ELF250	86~97	NKR55,NHR55	F	161	002	71
3572	MAZDA	MAZDA FIGHTER(BT50)/FORD RANGER	97~02	J97 A/C(4X4)	R	015	015	87
3575	ISUZU	ELF250 WIDE,350		NPR(Rigid)	F	142	011	72
3576	ISUZU	ELF250		NKR LONG(Rigid)	R	003	002	71
3577	ISUZU	ELF250		NKR 55E-1E(Rigid)	F	161	002	71
3578	ISUZU	ELF250	86~97	NKR55 S/T(Rigid)	R	002	014	71
3586	MAZDA	MAZDA FIGHTER(BT50)/FORD RANGER	97~02	J97 A/C(4X4)	F			87
3595	KIA	BESTA	93~	K70Y/Z:2.2D	F	235	002	80
3597	NISSAN	SERENA	91/06~95/05	C23(BUILT IN JAPAN)Rear Multi Link	R	011	011	115
3676	ISUZU	RODEO BIG HORN/TROOPER	86/11~88/08	UBS12,52(Excl.Heavy Duty Sus)	F	161	015	73
		RODEO BIG HORN/TROOPER	88/09~	UBS12,52(Excl.Heavy Duty Sus)	F			74
3677	ISUZU	RODEO BIG HORN/TROOPER	86/11~88/08	UBS12,52(Excl.Heavy Duty Sus)	F	161	015	74
		RODEO BIG HORN/TROOPER	88/09~	UBS12,52(Excl.Heavy Duty Sus)	F			74
●3694 (3373)	TOYOTA	LAND CRUISER	87/08~	BJ70,70V,71V,73V,74V	F	161	011	168
●3695 (3374)	TOYOTA	LAND CRUISER	87/08~	BJ70,70V,71V,73V,74V	R	011	011	168
3709	TOYOTA	LAND CRUISER	90/01~96/04	HZJ70/73,PZJ70/73	F	161	011	169
3710	TOYOTA	LAND CRUISER	90/01~91/08	HZJ77,PZJ70,HZJ73,PZJ77	R	011	011	168
		LAND CRUISER	90/01~96/04	HZJ70/73,PZJ70/73	R			169
		LAND CRUISER	91/08~96/07	PZJ7#	R			169
		LAND CRUISER	90/01~91/08	HZJ73,HZJ77	R			169
		LAND CRUISER	91/08~99/08	HZJ73	R			169
		LAND CRUISER	91/08~96/08	HZJ77	R			169
3711	TOYOTA	LAND CRUISER	90/06~96/04	FJ75,HZJ75,FJ75	F	161	011	169
3769	HINO	TRUCK		211W	F	325	011	60
	TOYOTA	DYNA/TOYOACE	02/06~04/08	XZU400,404(IV3),XZU400,404 (35T),BU410,420,430,BZU410, XZU401,402,41#,42#,430 (CNG,DSL,LPG,TDEFI) (IV3)	F			162
		DYNA/TOYOACE	03/10~04/06	XZU414,415	F			162
		DYNA/TOYOACE	06/05~07/05	XZU404(IV3,35T),BZU410, XZU410,41#,42#,433 (CNG, DCR,DCRL,DSL,DSLL,LPG)	F			162
	DYNA/TOYOACE	06/10~	XZU404(IV3,40T) XZU404,414,424,434,454	F			162	
3794	ISUZU	ELF250	96~	NKR66E	F	329	015	71
3819	TOYOTA	DYNA/TOYOACE	99/07~04/06	XZU362,37#,382	F	335	002	161
3820	TOYOTA	DYNA/TOYOACE	99/08~04/06	XZU382	F	335	002	162
3821	TOYOTA	DYNA/TOYOACE	99/05~99/08	XZU412(20T),XZU40#,410,411 42#,430	F	335	011	161
		DYNA/TOYOACE	99/08~02/06	BU400,410,420,430 XZU40#,41#,42#,430	F			161
		DYNA/TOYOACE	02/06~04/08	XZU400,404(40T) XZU410,414(40T)	F			162
		DYNA/TOYOACE	04/08~05/05	XZU414	F			162
		DYNA/TOYOACE	04/08~06/05	XZU404(IV3,35T),BZU410, XZU401,41#,42#	F			162
		DYNA/TOYOACE	04/08~	XZU404(40T)	F			162
3822	TOYOTA	DYNA/TOYOACE	99/05~06/05	XZU301,XZU302(20T,WT), XZU301,31#,321,322(20T), RZU300,XZU302,311,321, BU301,XZU300,320,330,331, 340,341,35#(WT)	F	280	011	161

STOCK NO.

O.E.M NO.

KIT

3000 SERIES

TOKICO NO.	MANUFACTURER	VEHICLE	YEAR	MAKE & MODEL	VEHICLE POSITION	KIT NO.		REF PAGE
						UPPER	LOWER	
3822	TOYOTA	DYNA/TOYOACE	00/05~06/05	RZU300,340(20T),XZU301,302,31#,32,332(20T),RZU300,XZU302,311,321(30T),BU301,XZU300,320,330,331,340,341,342,35#(WT)	F			161
		DYNA/TOYOACE	99/07~06/10	BU301,XZU302(ST) XZU301,304(ST)	F			161
		DYNA/TOYOACE	06/05~	XZU354,BZU300,340,XZU301,304,321,334,341,344,351 (20T WT)	F			161
		DYNA/TOYOACE	06/05~	XZU301(20T),XZU304,RZU30# 340,XZU331,XZU301,321,341,344(30T,35T),BZU300,340,XZU304,305,31#,334	F			161
		DYNA/TOYOACE	03/06~06/10	XKU304	F			161
		DYNA/TOYOACE	03/06~06/10	XKU344	F			161
		DYNA/TOYOACE	06/10~08/01	XZU504,524,554(5F,WT)	F			162
		DYNA/TOYOACE	06/10~	XZU504(ST)	F			162
		DYNA/TOYOACE	06/10~	XZU504,554(6FC),BZU300,340 XZU304,324,344,354,504 (20T,40T) WT	F			162
		DYNA/TOYOACE	06/10~	DZU300(DM6),XZU304(30T) TRU300,340,500,XZU304 BZU300,340,XZU314,324,334,344(30T,35T,40T)	F			162

STOCK NO.
O.E.M NO.
KIT

4000 SERIES

STOCK NO.

O.E.M. NO.

KIT

TOKICO NO.	MANUFACTURER	VEHICLE	YEAR	MAKE & MODEL	VEHICLE POSITION	KIT NO.		REF PAGE
						UPPER	LOWER	
4002	ISUZU	BUS	59~64	BB	F	112	112	70
		BUS	59~72	BX	F			70
		JOURNEY(LIGHT BUS)	76/10~79/04	CCM370,410 Low Deck	R			73
		JOURNEY(LIGHT BUS)	79/04~80/09	CCM370,410 Low Deck	R			73
		TRUCK	79/12~	TWD50,55,85	F			75
		TRUCK	80/05~	TXD23,40,45,50,55,60	F			75
4008	NISSAN DIESEL	BUS	80/09~	RM80(Excl.Low Floor Model)	F	113	004	124
	TOYOTA	TRUCK/BUS	69/03~77/04	DA1,DB1,FA1,FB100,FC100	F			176
		TRUCK/BUS	77/04~80/02	DA110,115,116,FA101 (*BTR,Dump)	F			176
4018	ISUZU	ELF	70~84/05	TL-60	R	003	003	70
		ELF(4WD)	87/09~	NKS55***Excl.Damp	R			71
		ELF250	84/06~	NKR55,57(Double Tire***E4,Less than 2.6m Wheelbase Excl.2.46m)	R			71
4020	ISUZU	JOURNEY(LIGHT BUS)	76/10~79/04	CCM370,410(Excl.Deluxe Deck)	R	112	112	73
		JOURNEY(LIGHT BUS)	79/04~80/09	CCM370,410(Excl. Deluxe Deck)	R			73
		TRUCK	75/08~79/10	SBR372(Excl.RL6,RL36)	R			74
		TRUCK	80/12~83/12	SBR,SCR,SDR (Low Body)	R			75
		TRUCK	84/01~	FORWARD FRR(Wheelbase4001~6500m/m)	R			75
4029	ISUZU	ELF	70~84/05	KS(ELF350),KS,KT,(Excl.15A,16A,24A,25A,26A,Flat Low)	F	142	003	71
		ELF(4WD)	87/12~	NPS58,59	F			71
		ELF250 WIDE,350	84/06~	NPR57,59,NPR57,58,59(W Tire)	F			71
		ELF250 WIDE,350	86/02~	NPR57,58,59(Small Diameter W Tire)	F			71
		JOURNEY(LIGHT BUS)	72/10~80/01	BL,BE(Deluxe w/Air Conditioner)	F			73
		JOURNEY(LIGHT BUS)	72/10~80/01	BL,BE(Excl.Deluxe w/ Air Conditioner)	F			73
		JOURNEY(LIGHT BUS)	80/02~	BL,BE All	F			73
4035	NISSAN DIESEL	TRUCK	75~83/04	CM80,84,85,90	R	113	113	124
		TRUCK	83/05~87/01	CM86(HIGHWAY TYPE) CM86(DOUBLE ACTING)	R			124
		TRUCK	83/05~87/01	CM86(Excl.HIGHWAY TYPE, DOUBLE ACTING),CM87	R			124
●4036	NISSAN DIESEL	BUS	75/12~80/03	RM90	R	113	113	124
		BUS	80/09~	RM80(Excl.Low Floor Model)	R			124
4046	ISUZU	JOURNEY(LIGHT BUS)	79/04~80/09	CCM370,410(Excl. Deluxe Deck)	F	113	004	73
		JOURNEY(LIGHT BUS)	79/04~80/09	CCM370,410 Low Deck	F			73
		TRUCK	75/12~83/12	FORWARD JBR,JCR,JDR	F			74
		TRUCK	78/08~80/05	FORWARD SCS Bus (SC370WJX)	R			75
		TRUCK	83/08~	CXH19,FORWARD FTR11,12	F			75
		TRUCK	81/01~	SMH,SSH	F			75
4047	TOYOTA	COASTER	82/05~93/01	BB2#,3#,RB2#,HB3#,HDB3# HZB3#	F	113	015	146
		COASTER	88/08~92/12	BB24,HB32,HDB20,31,HZB31	F			146
		COASTER	93/01~01/08	BB4#,HZB5#, RZB4#,5#	F			146
		COASTER	01/08~	BB4#,5#,BZB4#,5#,HZB5#, RZB4#,5#	F			146
		COASTER	04~	RZB53,BB53	F			146
4089	NISSAN	PATROL/SAFARI	87/10~	VRY60,VRGY60,YRY60,YG60, YGY60,KRY60,ARG60,WRGY60, WRY60,WGY60	F	291	291	113
		PATROL/SAFARI	91/10~	Y60,L.W.B.with Rear Coil Spring Sus.	F			113
		PATROL/SAFARI	97/10~	Y61 2.8TurboDiesel(RD28T), 4.2Diesel(TD42),4.2TurboDiesel (TD42T),4.5(TB45E)	F			113
		PATROL/SAFARI	97/10~	Y61 2.8TurboDiesel(RD28T), 4.2Diesel(TD42), 4.2TurboDiesel(TD42T), 4.5(TB45E)with Heavy Duty Sus.	F			113
4090	NISSAN	PATROL/SAFARI	87/10~	VRY60,VRGY60,YRY60,YG60, YGY60,KRY60,ARG60,WRGY60, WRY60,WGY60	R	011	015	113
4117	ISUZU	ELF250 WIDE.350	96~	NPR71L	F	015	015	72

4000 SERIES

TOKICO NO.	MANUFACTURER	VEHICLE	YEAR	MAKE & MODEL	VEHICLE POSITION	KIT NO.		REF PAGE
						UPPER	LOWER	
4134	TOYOTA	DYNA/TOYOACE	95/05~97/03	BU132(TL4),BU202,212,222	F	161	011	161
		DYNA/TOYOACE	97/03~99/06	BU132(TL4),BU202,212,222 (20T,IV3)	F			161

STOCK NO.

O.E.M NO.

KIT

5000 SERIES

TOKICO NO.	MANUFACTURER	VEHICLE	YEAR	MAKE & MODEL	VEHICLE POSITION	KIT NO.		REF PAGE
						UPPER	LOWER	
5011	MITSUBISHI	BUS	67~82/10	B805,806,MAR400 All,MM504,MP518(Excl Air Suspension)	F	115	115	92
		BUS	76~79/09	MM516H,MP518	F			92
		BUS	80/01~84/03	MP517 All	F			92
		TRUCK	84/02~87/09	MM515(HTD,HTS) FK445,545	F R			101
5016	ISUZU	BUS	58~65	BD	F	012	012	70
		BUS	78/11~80/11	ECM430	F			70
		BUS	80/02~	CLM,CJM,CPM(Leaf Spring)	F			70
		BUS	80/11~	ECM430	F			70
		BUS	81/11~	CQA,CQM,CHA,CHM	F			70
		BUS	82/05~	EDM430	F			70
		BUS	84/03~	LV314,318(Leaf Spring)(Excl. Low Floor Model)	F			70
		JOURNEY(LIGHT BUS)	84/03~	LT312	F			73
		TRUCK	67~80/02	TD ,SFR	F			74
		TRUCK	83/08~	CXG16,17,19,21,23	F			75
5019	ISUZU	TRUCK	72~	SR,SP,VPZ,VPR,VWJ,VWR,VWZ SPG,SSZ,SSM,SP (Excl.SRZ)	F	012	012	74
		TRUCK	78/04~79/12	SMG	F			75
		TRUCK	78/04~79/12	SMG	R			75
5024	NISSAN DIESEL	BUS	73/03~80/02	U20,30,35(Leaf Spring) (Excl.Low Floor Model)	F	115	012	124
		BUS	80/02~	U31(Excl.Low Floor Model) (Leaf Spring)	F			124
		BUS	84/03~	U32(Leaf Spring)(KXR,LXR,NXR)	F			124
		TRUCK	72~81/01	CD3,4,5,43,51,CF30,45,46,CK10, 20,30,60,CV31,32,40,41,55, CW15,40,50,51,60,CZ50,51, KG45S,TW50,51,53,TF30,TK20	F			124
		TRUCK	77/05~79/02	CK40,50	F			124
		TRUCK	77/05~79/02	CK40,50	R			124
		TRUCK	77/05~79/02	CK60	F			124
TRUCK	84/01~	KK31H,KW30,31	F			124		
5027	MITSUBISHI	TRUCK	72~74	T33 ,80 ,90 All T95J,T95JC(Excl.331,T8001)	F	015	015	101
5029	HINO	BUS	62~70/07	RE100,120,140 (Leaf Spring)	F	012	012	58
		BUS	62~75	RL100	R			58
		BUS	68~78/03	RC300,320	F			58
		BUS	76~77/06	RD100,120	F			58
		BUS	77/06~80/01	RD300	F			58
		BUS	78/03~79/09	RC301,RC321(Leaf Spring)	F			58
		BUS	80/01~	RC301,321,381(Leaf) (Excl.RC301 Low Floor)	F			58
		BUS	80/01~	RD301	F			58
		BUS	80/01~	RE101,121,141(Leaf Spring)	F			58
		BUS	82/10~83/11	RT223AA,225AA,226AA	F			58
		TRUCK	63~76/10	HE(Tractor)	F			59
		TRUCK	70~75/07	KF ,KF701,700,720 (Excl.KF300,702)	F			59
		TRUCK	70~75/07	TC	F			59
		TRUCK	70~75/07	ZM (Excl,ZM300,702)	F			59
		TRUCK	70~76/02	KB302,303,313	F			59
		TRUCK	70~77	TE100,120	F			59
		TRUCK	70~79/10	KS341,391	F			59
		TRUCK	75/07~79/09	TC (Excl.TC383 Trailer) (Container)	F			59
		TRUCK	76/10~79/09	HE340,350,335,355	F			59
	TRUCK	79/10~81	KS341,391	F			59	
TRUCK	79/10~	ZC101,121	F			59		
	NISSAN DIESEL	BUS	73/03~80/02	U20,35(Leaf Spring) (Low Floor Model)	F			124
5032	HINO	BUS	75~88/01	RL300,320	R	012	012	58
		BUS	80/01~	RL301,321	R			58
		BUS	80/10~	RJ170A,172A(RAINBOW)	R			58
		BUS	82/02~	RR170A,172A(RAINBOW)	R			58
		TRUCK	70~76/02	KB322,342,362,382	F			59
		TRUCK	71~75/07	KF300,702	F			59

STOCK NO.

O.E.M. NO.

KIT

5000 SERIES

TOKICO NO.	MANUFACTURER	VEHICLE	YEAR	MAKE & MODEL	VEHICLE POSITION	KIT NO.		REF PAGE
						UPPER	LOWER	
5032	HINO	TRUCK	71~75/07	ZM300,702	F			59
		TRUCK	75/07~79/09	KF (Excl.KF585)	F			59
		TRUCK	75/07~79/09	TC383 Trailer(Container)	F			59
		TRUCK	75/07~79/09	ZM All	F			59
		TRUCK	76/02~79/09	KB304,314,324,344,364,384 KB394,KB501	F			59
		TRUCK	76/10~79/09	HE526	F			59
		TRUCK	76/12~79/09	KF585	F			59
		TRUCK	77/01~79/09	HH341(Tractor)	F			59
		TRUCK	79/09~81	ZM303,ZM940 ZM500,540,560, 580 ZM706,745,765,785 ZM103	F			59
		TRUCK	79/09~81	TC303,323,343,363,383,562,582 TC723,743,763,783,922,942 (Incl.Tractor)	F			59
		TRUCK	79/09~82	KB304,314,324,344,364,384 KB394,KB501,980	F			59
		TRUCK	79/09~	KF301,321,341,346,361,366 KF381,386,391,396 KF500,545,565,585,595 KF704,724,747,767,787,798	F			59
		TRUCK	79/09~	HE526,HE356,366(Tractor), Front 4 Leaf Springs	F			59
		TRUCK	79/09~	HE526,HE356,366(Tractor), Front 6 Leaf Springs	F			59
		TRUCK	79/09~	HH341,541	F			59
		TRUCK	81/04~	FP27#A ,28#A	F			60
		TRUCK	81/04~	FR27#A ,28#A ,60#A ,63#A	F			60
		TRUCK	81/04~	FS27#A,60#A,63#A (633A Only ~Chassis No15000) FN27#A, 28#A,60#A,63#A,GN272,274, 282,284	F			60
		TRUCK	81/06~	FH22#A ,FH270A(Excl.Semi Tractor) FH272A	F			60
		TRUCK	81/11~	KK188A,189A,196B,198B,199B	F			60
●5034	MITSUBISHI	TRUCK	75~79	FU112,113,119,FU102,103 (Excl.Dump,Mixer)	F	015	015	101
5035	MITSUBISHI	TRUCK	75~83/12	FT/FU/FV(112,113,119) FP 117,FD,FM,FW123,FP318 FU313,315,FU313,FV315,FR113	F	015	015	101
5037	ISUZU	TRUCK	77/09~	SP(Excl.SPG),SRZ,SSZ,SM (Excl.SMG)	F	115	012	74
5042	ISUZU	TRUCK	79/10~85/12	SP,SQ,SH,ST,SV,SR ,S/SM,S/SZ SLR,SSG,SMG,SMK,SMR,SMM, SMZ,VVZ,VSZ(Tractor),SSK701, S/VG,CXK,CXM,CXZ,CXG16,17, 19,21,23,CVR14,17,E/XZ	F	115	012	75
		TRUCK	79/12~	VSR300,VTR,VVR(OPT)	F			75
		TRUCK	79/12~	VSR300,VTR,VVR(Tractor)	F			75
		TRUCK	79/12~	VSR300,VTR,VVR(Tractor)	R			75
		TRUCK	81/11~	VSR310	F			75
		TRUCK	83/09~	EXR(Wheelbase3.1m)	F			75
5044	NISSAN DIESEL	BUS	73/03~80/02	U20,30,35(Leaf Spring) (Excl.Low Floor Model)	R	115	012	124
		BUS	73/03~80/02	U20,35(Leaf Spring) (Low Floor Model)	R			124
		BUS	80/02~	U31(Excl.Low Floor Model) (Leaf Spring)	R			124
		BUS	80/02~	U31(Low Floor Model) (Leaf Spring)	R			124
		BUS	80/02~	U36	R			124
		BUS	84/03~	U32(Leaf Spring)(KXR,LXR,NXR)	R			124
		BUS	84/03~	U32(Leaf Spring)(KAR,LAR,NAR ●●●Excl.Low Damping Force Type)	R			124
		BUS	84/03~	U32(Leaf Spring)(KAR,LAR,NAR ●●●Incl.Low Damping Force Type)	R			124

STOCK NO.

O.E.M NO.

KIT

5000 SERIES

TOKICO NO.	MANUFACTURER	VEHICLE	YEAR	MAKE & MODEL	VEHICLE POSITION	KIT NO.		REF PAGE
						UPPER	LOWER	
5044	NISSAN DIESEL	TRUCK	79/10~90	CD45(Chassis No~011497),52 CK31(Chassis No~010324),45, 50,60,CW45(~Chassis No ~14999),51,52(Excl,Double Acting)60,61,66	F			124
●5045	NISSAN DIESEL	BUS	80/02~	U31(Low Floor Model) (Leaf Spring)	F	012	012	124
		BUS	80/02~	U36	F			124
		BUS	84/03~	U32(Leaf Spring)(KAR,LAR,NAR ***Excl.Low Damping Force Type)	F			124
5051	NISSAN DIESEL	TRUCK	83/05~	CD45(Chassis No0114984~), 46,53,54,CW45(Chassis No 1500~),46,53,54,66	F	115	012	124
		TRUCK	79/10~	CW52(Double Acting)	F			124
		TRUCK	79/10~	CK31(Chassis No010325-)	F			124
5059	HINO	TRUCK		FE,FF6W	F	012	012	60
5060	mitsubishi	TA	05/07~	TA	F	116	015	100

STOCK NO.

O.E.M NO.

KIT

6000 SERIES

TOKICO NO.	MANUFACTURER	VEHICLE	YEAR	MAKE & MODEL	VEHICLE POSITION	KIT NO.		REF PAGE
						UPPER	LOWER	
●6008	ISUZU	BUS	59~72	BX	R	116	116	70
●6012	MITSUBISHI	BUS	67~82/10	B805,806,MAR400 All,MM504,MP518(Excl Air Suspension)MMS16H,MP518	R	118	118	92
6016	HINO	BUS	62~70/07	RE100,120,140 (Leaf Spring)	R	013	013	58
		BUS	68~78/03	RC300,320	R			58
		BUS	76~77/06	RD100,120	R			58
		BUS	77/06~80/01	RD300	R			58
		BUS	78/03~79/09	RC301,RC321(Leaf Spring)	R			58
		BUS	80/01~	RC301,321,381(Leaf) (Excl.RC301 Low Floor)	R			58
		BUS	80/01~	RD301	R			58
		BUS	80/01~	RE101,121,141(Leaf Spring)	R			58
		TRUCK	79/09~	HE526,HE356,366(Tractor), Front 4 Leaf Springs	R			59
		TRUCK	79/09~	HE526,HE356,366(Tractor), Front 6 Leaf Springs	R			59
6020	ISUZU	TRUCK	68~	TM65,TP61	R	013	013	74
●6023	ISUZU	BUS	58~65	BD	R	118	118	70

STOCK NO.

O.E.M NO.

KIT

A1000 SERIES

TOKICO NO.	MANUFACTURER	VEHICLE	YEAR	MAKE & MODEL	VEHICLE POSITION	REF PAGE
A1027	MAZDA	FAMILIA/323 FORD LASER	80/06~84/12 82/09~84/12	BD1031,BD1051(Excl.Turbo) BE3PF,BE5PE(Excl.Turbo)	RR RR	83 86
A1028	MAZDA	FAMILIA/323 FORD LASER	80/06~84/12 82/09~84/12	BD1031,BD1051(Excl.Turbo) BE3PF,BE5PE(Excl.Turbo)	RL RL	83 86
A1040	NISSAN	PULSAR/LANGLEY/LIBERTA VILLA/EXA PULSAR/LANGLEY/LIBERTA VILLA/EXA SUNNY/LAUREL SPIRIT	86/05~90/09 86/05~90/09 85/09~90/09	N13 All (Excl.N13,4WD,Adjustable Type) N13 B12 All(Incl. Wagon,Excl Van, 4WD,NISMO Version,Adjustable Type),HB12,RHB12	RR RR RR	114 114 117
A1041	NISSAN	PULSAR/LANGLEY/LIBERTA VILLA/EXA PULSAR/LANGLEY/LIBERTA VILLA/EXA SUNNY/LAUREL SPIRIT	86/05~90/09 86/05~90/09 85/09~90/09	N13 All (Excl.N13,4WD,Adjustable Type) N13 B12 All(Incl. Wagon,Excl Van, 4WD,NISMO Version,Adjustable Type),HB12,RHB12	RL RL RL	114 114 117
A1042	NISSAN	PULSAR/LANGLEY/LIBERTA VILLA/EXA PULSAR/LANGLEY/LIBERTA VILLA/EXA SUNNY/LAUREL SPIRIT	86/05~90/09 86/05~90/09 85/09~90/09	N13 All (Excl.N13,4WD,Adjustable Type) N13 B12 All(Incl. Wagon,Excl Van, 4WD,NISMO Version,Adjustable Type),HB12,RHB12	FR FR FR	114 114 117
A1043	NISSAN	PULSAR/LANGLEY/LIBERTA VILLA/EXA PULSAR/LANGLEY/LIBERTA VILLA/EXA SUNNY/LAUREL SPIRIT	86/05~90/09 86/05~90/09 85/09~90/09	N13 All (Excl.N13,4WD,Adjustable Type) N13 B12 All(Incl. Wagon,Excl Van, 4WD,NISMO Version,Adjustable Type),HB12,RHB12	FL FL FL	114 114 117
●A1044	SUZUKI	CULTUS	83/10~86/10	AA41S,All Chassis No100001~ 113348~,AA41V,AB41S,51S	FR	135
●A1045	SUZUKI	CULTUS	83/10~86/10	AA41S,All Chassis No100001~ 113348~,AA41V,AB41S,51S	FL	135
A1048	MAZDA	FAMILIA/323/FORD LASER FAMILIA/323/FORD LASER	85/01~89/05 85/09~89/05	BF3P,F(Excl.Adjustable Type) BF7P,F(Diesel,Excl.Adjustable Type)	RR RR	85 85
A1049	MAZDA	FAMILIA/323/FORD LASER FAMILIA/323/FORD LASER	85/01~89/05 85/09~89/05	BF3P,F(Excl.Adjustable Type) BF7P,F(Diesel,Excl.Adjustable Type)	RL RL	85 85
A1050	NISSAN	MARCH/MICRA	82/10~92/11	K10 All	FR	112
A1051	NISSAN	MARCH/MICRA	82/10~92/11	K10 All	FL	112
A1052	DAIHATSU	CHARADE CHARADE CHARADE	83/01~86/12 83/01~86/12 83/09~86/12	G11,V,G30,V(Incl.Van,Excl.TX, TS,CX,Turbo) G11,G30,(TX,TS,CX) G11,G30,(Turbo,DETOMASO Turbo)G26 (926 Turbo)	FR FR FR	50 50 50
A1053	DAIHATSU	CHARADE CHARADE CHARADE	83/01~86/12 83/01~86/12 83/09~86/12	G11,V,G30,V(Incl.Van,Excl.TX, TS,CX,Turbo) G11,G30,(TX,TS,CX) G11,G30,(Turbo,DETOMASO Turbo)G26 (926 Turbo)	FL FL FL	50 50 50
A1056	MAZDA	FAMILIA/323/FORD LASER	85/07~89/05	BF High Road clearance	RR	86
A1057	MAZDA	FAMILIA/323/FORD LASER	85/07~89/05	BF High Road clearance	RL	86
A1058	DAIHATSU	CHARADE CHARADE CHARADE CHARADE CHARADE CHARADE CHARADE CHARADE CHARADE	87/01~87/11 87/01~87/11 87/01~ 87/10~ 87/11~ 87/11~ 88/02~ 90/11~ 90/11~ 90/11~	G100S(TD,TS,CS,CD), G101S(TD,CD,CS) G100S(TX,CX,Turbo CX), G101S(TX,CX) G100S(Turbo TR) G100S(GTTi,GTXX) G100S(TD,TS,CS,CD), G101S(TD,CD,CS) G100S(TX,CX,Turbo CX), G101S(TX,CX) G102S G100,101(KISA) G102 KISA G100,101(TD,WILL,CD)	FR FR FR FR FR FR FR FR FR FR	50 50 50 50 50 50 50 50 50 50

STOCK NO.

O.E.M. NO.

KIT

A1000 SERIES

TOKICO NO.	MANUFACTURER	VEHICLE	YEAR	MAKE & MODEL	VEHICLE POSITION	REF PAGE
A1059	DAIHATSU	CHARADE	87/01~87/11	G100S(TD,TS,CS,CD), G101S(TD,CD,CS)	FL	50
		CHARADE	87/01~87/11	G100S(TX,CX,Turbo CX), G101S(TX,CX)	FL	50
		CHARADE	87/01~	G100S(Turbo TR)	FL	50
		CHARADE	87/10~	G100S(GTTI,GTXX)	FL	50
		CHARADE	87/11~	G100S(TD,TS,CS,CD), G101S(TD,CD,CS)	FL	50
		CHARADE	87/11~	G100S(TX,CX,Turbo CX), G101S(TX,CX)	FL	50
		CHARADE	88/02~	G102S	FL	50
		CHARADE	90/11~	G100,101(KISA)	FL	50
A1060	SUZUKI	CULTUS	86/06~89	AA43S(Turbo),AA33S,AB33S AA43S(Excl.Turbo),AB43S, AA53S,AB53S(MR,GR),AA43V	FR	135
				AA43S(Turbo),AA33S,AB33S AA43S(Excl.Turbo),AB43S, AA53S,AB53S(MR,GR),AA43V	FL	135
A1061	SUZUKI	CULTUS	86/06~89	AA43S(Turbo),AA33S,AB33S AA43S(Excl.Turbo),AB43S, AA53S,AB53S(MR,GR),AA43V	FL	135
A1062	NISSAN	CEFIRO	88/09~94/08	A31	FR	107
		LAUREL	88/12~92/12	C33 Series	FR	111
A1063	NISSAN	CEFIRO	88/09~94/08	A31	FL	107
		LAUREL	88/12~92/12	C33 Series	FL	111
A1066	NISSAN	SUNNY/LAUREL SPIRIT	90/04~94/12	B13(2WD)	RR	117
A1067	NISSAN	SUNNY/LAUREL SPIRIT	90/04~94/12	B13(2WD)	RL	117
A1068	NISSAN	PULSAR/LANGLEY/LIBERTA VILLA/EXA	90/10~94/12	N14(1400,2000 DIESEL)(2WD)	FR	114
		SUNNY/LAUREL SPIRIT	90/04~94/12	B13(2WD)	FR	117
		SUNNY TRAVELLER/AD WAGON VAN	90/11~99/05	WFY10,VY10(2WD)	FR	116
A1069	NISSAN	PULSAR/LANGLEY/LIBERTA VILLA/EXA	90/10~94/12	N14(1400,2000 DIESEL)(2WD)	FL	114
		SUNNY/LAUREL SPIRIT	90/04~94/12	B13(2WD)	FL	117
		SUNNY TRAVELLER/AD WAGON VAN	90/11~99/05	WFY10,VY10(2WD)	FL	116
A1070	DAIHATSU	CHARADE	88/02~	G112S(4WD)	FR	50
		CHARADE	90/11~97/09	G112	FR	50
		APPLAUSE	89/06~97/09	A101	FR	50
		APPLAUSE	89/06~97/09	A101	FR	50
		APPLAUSE	90/10~97/09	A101	FR	50
		APPLAUSE	89/06~97/09	A111(4WD)	FR	50
A1071	DAIHATSU	CHARADE	88/02~	G112S(4WD)	FL	50
		CHARADE	90/11~97/09	G112	FL	50
		APPLAUSE	89/06~97/09	A101	FL	50
		APPLAUSE	89/06~97/09	A101	FL	50
		APPLAUSE	90/10~97/09	A101	FL	50
		APPLAUSE	89/06~97/09	A111(4WD)	FL	50
A1072	DAIHATSU	CHARADE	88/02~	G112S(4WD)	RR	50
		CHARADE	90/11~97/09	G112	RR	50
		APPLAUSE	89/06~97/09	A111(4WD)	RR	50
A1073	DAIHATSU	CHARADE	88/02~	G112S(4WD)	RL	50
		CHARADE	90/11~97/09	G112	RL	50
		APPLAUSE	89/06~97/09	A111(4WD)	RL	50
A1074	DAIHATSU	CHARADE	87/01~	G100S(Turbo TR)	RR	50
		CHARADE	88/02~	G102S	RR	50
A1075	DAIHATSU	CHARADE	87/01~	G100S(Turbo TR)	RL	50
		CHARADE	88/02~	G102S	RL	50
A1076	DAIHATSU	CHARADE	87/01~87/11	G100S(TD,TS,CS,CD), G101S(TD,CD,CS)	RR	50
		CHARADE	87/01~87/11	G100S(TX,CX,Turbo CX), G101S(TX,CX)	RR	50
		CHARADE	87/11~	G100S(TD,TS,CS,CD), G101S(TD,CD,CS)	RR	50
		CHARADE	87/11~	G100S(TX,CX,Turbo CX), G101S(TX,CX)	RR	50
A1077	DAIHATSU	CHARADE	87/01~87/11	G100S(TD,TS,CS,CD), G101S(TD,CD,CS)	RL	50
		CHARADE	87/01~87/11	G100S(TX,CX,Turbo CX), G101S(TX,CX)	RL	50

STOCK NO.

O.E.M. NO.

KIT

A1000 SERIES

TOKICO NO.	MANUFACTURER	VEHICLE	YEAR	MAKE & MODEL	VEHICLE POSITION	REF PAGE
A1077	DAIHATSU	CHARADE	87/11~	G100S(TD,TS,CS,CD), G101S(TD,CD,CS)	RL	50
		CHARADE	87/11~	G100S(TX,CX,Turbo CX), G101S(TX,CX)	RL	50
A1078	SUZUKI	CULTUS	88/09~92	AA34S(Twincam GT-1)	R	135
A1079	TOYOTA	COROLLA/SPRINTER	91/06~97/04	AE100,EE101	RR	149
		COROLLA/SPRINTER	95/05~00/06	EE110/111,AE110/111	RR	149
A1080	TOYOTA	COROLLA/SPRINTER	91/06~97/04	AE100,EE101	RL	149
		COROLLA/SPRINTER	95/05~00/06	EE110/111,AE110/111	RL	149
A1081	SUZUKI	ALTO/SH410	86/07~87/12	CA/B71CA/B72,CA/B91 Rear coil spring	FR	134
		ALTO/SH410	88~92	CA/B71,CA/B72,CA/B91 Rear coil spring	FR	134
A1082	SUZUKI	ALTO/SH410	86/07~87/12	CA/B71CA/B72,CA/B91 Rear coil spring	FL	134
		ALTO/SH410	88~92	CA/B71,CA/B72,CA/B91 Rear coil spring	FL	134
A1097	SUZUKI	SR410/SR412/WAGON R	96/07~	CT21S,MA61,MA/B81 incl.ABS	FR	137
A1098	SUZUKI	SR410/SR412/WAGON R	96/07~	CT21S,MA61,MA/B81 incl.ABS	FL	137
A1101	NISSAN	PULSAR/LANGLEY/LIBERTA VILLA/EXA	90/10~94/12	NB13/NN14(4WD Excl Gti-R)	FR	114
		SUNNY TRAVELLER/AD WAGON VAN	90/11~99/05	VFNY10,VSY10 (4WD)	FR	117
A1102	NISSAN	PULSAR/LANGLEY/LIBERTA VILLA/EXA	90/10~94/12	NB13/NN14(4WD Excl Gti-R)	FL	114
		SUNNY TRAVELLER/AD WAGON VAN	90/11~99/05	VFNY10,VSY10 (4WD)	FL	117

STOCK NO.

O.E.M NO.

KIT

A2000 SERIES

TOKICO NO.	MANUFACTURER	VEHICLE	YEAR	MAKE & MODEL	VEHICLE POSITION	REF PAGE
A2029	MAZDA	FAMILIA/323	80/06~84/12	BD1031,BD1051(Excl.Turbo)	FR	83
		FAMILIA/323	83/06~84/12	BD1051(XG,XG-R Turbo)	FR	83
		FORD LASER	82/09~84/12	BE3PF,BE5PE(Excl.Turbo)	FR	86
		FORD LASER	83/06~84/12	BE5PE(Turbo, Turbo S)	FR	86
A2030	MAZDA	FAMILIA/323	80/06~84/12	BD1031,BD1051(Excl.Turbo)	FL	83
		FAMILIA/323	83/06~84/12	BD1051(XG,XG-R Turbo)	FL	83
		FORD LASER	82/09~84/12	BE3PF,BE5PE(Excl.Turbo)	FL	86
		FORD LASER	83/06~84/12	BE5PE(Turbo, Turbo S)	FL	86
●A2031	SUBARU	SUBARU1300/1600/1800(RHD)	80/09~	2-Door(HB)	F	130
		SUBARU1300/1600/1800(RHD)	80/09~	4-Door SED DL,GLF	F	130
		SUBARU1600/1800(LHD)	83~84/08	2-Door STD,DL,GL SRX(2WD) (HB)	F	131
		SUBARU1600/1800(LHD)	83~84/08	4-Door SED STD,DL,GLF(2WD) Station Wagon DL,GLF(2WD)	F	131
●A2032	NISSAN	PULSAR/LANGLEY/LIBERTA VILLA/EXA	82/05~86/04	N12	FR	114
		PULSAR/LANGLEY/LIBERTA VILLA/EXA	84/03~86/05	N12	FR	114
●A2033	NISSAN	PULSAR/LANGLEY/LIBERTA VILLA/EXA	82/05~86/04	N12	FL	114
		PULSAR/LANGLEY/LIBERTA VILLA/EXA	84/03~86/05	N12	FL	114
A2040	NISSAN	SUNNY/LAUREL SPIRIT	81/10~85/08	B11 All(Incl. Wagon,Excl. Van)	FR	117
		SUNNY/PULSAR/DATSUN AD VAN	82/10~92/06	B11 VB11,VHB11, VSB11 TB11(Van)	FR	118
		PRAIRIE	82/08~88/08	BM10,PM10,VBN10 All	FR	113
A2041	NISSAN	SUNNY/LAUREL SPIRIT	81/10~85/08	B11 All(Incl. Wagon,Excl. Van)	FL	117
		SUNNY/PULSAR/DATSUN AD VAN	82/10~92/06	B11 VB11,VHB11, VSB11 TB11(Van)	FL	118
		PRAIRIE	82/08~88/08	BM10,PM10,VBN10 All	FL	113
A2058	MAZDA	CAPELLA/626/FORD TELSTAR/MX-6/CRONOS	82/09~85/01	GCEP,GCEPF(STD Suspension) GC6P,GC6PF,GC8J GC8PE,GC8P(STD Suspension) GCEP,GCFJ,GCFPF(Diesel)	FR	82
		CAPELLA/626/FORD TELSTAR/MX-6/CRONOS	85/02~	GC8J	FR	82
A2059	MAZDA	CAPELLA/626/FORD TELSTAR/MX-6/CRONOS	82/09~85/01	GCEP,GCEPF(STD Suspension) GC6P,GC6PF,GC8J GC8PE,GC8P(STD Suspension) GCEP,GCFJ,GCFPF(Diesel)	FL	82
		CAPELLA/626/FORD TELSTAR/MX-6/CRONOS	85/02~	GC8J	FL	82
A2060	MAZDA	CAPELLA/626/FORD TELSTAR/MX-6/CRONOS	82/09~85/01	GCEP,GCEPF(STD Suspension) GC6P,GC6PF,GC8J GC8PE,GC8P(STD Suspension) GCEP,GCFJ,GCFPF(Diesel)	RR	82
		CAPELLA/626/FORD TELSTAR/MX-6/CRONOS	85/02~	GC8J	RR	82
A2061	MAZDA	CAPELLA/626/FORD TELSTAR/MX-6/CRONOS	82/09~85/01	GCEP,GCEPF(STD Suspension) GC6P,GC6PF,GC8J GC8PE,GC8P(STD Suspension) GCEP,GCFJ,GCFPF(Diesel)	RL	82
		CAPELLA/626/FORD TELSTAR/MX-6/CRONOS	85/02~	GC8J	RL	82
A2067	SUBARU	SUBARU E (DOMINGO)	84/08~	GEN,2WD	F	130
		SUBARU E (DOMINGO)	84/08~	EUR.2WD•DX	F	130
●A2068	SUBARU	SUBARU E (DOMINGO)	84/08~	GEN,4WD	F	130
		SUBARU E (DOMINGO)	84/08~91/07	EUR.4WD•DX	F	130
●A2071	HONDA	BALLADE	83/10~87/08	AJ-100,AK-100 AJ-110,120,AK-110,120	FR	63
		BALLADE SPORTS(CR-X)	83/06~87/08	AE-100,110,120,130 AF-100,110,120,130	FR	63
		CIVIC(WONDER CIVIC)	83/09~87/08	AG-100,110,120,130 AH-100,110,120,130 AJ-100,110,120,130 AK-100,110,120,130	FR	66
●A2072	HONDA	BALLADE	83/10~87/08	AJ-100,AK-100 AJ-110,120,AK-110,120	FL	63
		BALLADE SPORTS(CR-X)	83/06~87/08	AE-100,110,120,130 AF-100,110,120,130	FL	63
		CIVIC(WONDER CIVIC)	83/09~87/08	AG-100,110,120,130 AH-100,110,120,130 AJ-100,110,120,130 AK-100,110,120,130	FL	66

STOCK NO.

O.E.M NO.

KIT

A2000 SERIES

TOKICO NO.	MANUFACTURER	VEHICLE	YEAR	MAKE & MODEL	VEHICLE POSITION	REF PAGE
●A2075	HONDA	PRELUDE	82/11~87/03	AB-100,110,125,129 ●●●Excl.XC,XJ BA1-100,104	RR	68
●A2076	HONDA	PRELUDE	82/11~87/03	AB-100,110,125,129 ●●●Excl.XC,XJ BA1-100,104	RL	68
A2078	MITSUBISHI	MIRAGE VAN/LANCER VAN	85/02~86/01	C11V,12V,14V,12W,14W	F	99
		MIRAGE/LANCER FIORE	83/10~85/12	C11A,C12A,C13A,C14A	F	99
		MIRAGE SALOON/LANCER FIORE	83/10~85/12	C11A,C12A,C13A,C14A	F	99
	PROTON	SAGA/MP1	85~96	C2#	F	128
A2083	MAZDA	FAMILIA/323/FORD LASER	85/01~89/05	BF3P.F(Excl.Adjustable Type)	FR	85
		FAMILIA/323/FORD LASER	85/01~89/05	BF5P.F(Excl.Adjustable Type)	FR	85
		FAMILIA/323/FORD LASER	85/09~	BFMP.F	FR	85
		FAMILIA/323/FORD LASER	85/09~89/05	BFMP.F(Best Handling Sus)	FR	85
		FAMILIA/323/FORD LASER	85/09~89/05	BF7P.F(Diesel,Excl.Adjustable Type)	FR	85
A2084	MAZDA	FAMILIA/323/FORD LASER	85/11~87/04	BF3V,BF5V●●●Van	FR	85
		FAMILIA/323/FORD LASER	85/11~89/05	BF5S.F(Cabriolet)BF5W(Wagon)	FR	85
		FAMILIA/323/FORD LASER	85/07~89/05	BF High Road clearance	FR	86
		FAMILIA/323/FORD LASER	85/01~89/05	BF3P.F(Excl.Adjustable Type)	FL	85
		FAMILIA/323/FORD LASER	85/01~89/05	BF5P.F(Excl.Adjustable Type)	FL	85
A2085	MAZDA	FAMILIA/323/FORD LASER	85/09~	BFMP.F	FL	85
		FAMILIA/323/FORD LASER	85/09~89/05	BFMP.F(Best Handling Sus)	FL	85
		FAMILIA/323/FORD LASER	85/09~89/05	BF7P.F(Diesel,Excl.Adjustable Type)	FL	85
		FAMILIA/323/FORD LASER	85/11~87/04	BF3V,BF5V●●●Van	FL	85
		FAMILIA/323/FORD LASER	85/11~89/05	BF5S.F(Cabriolet)BF5W(Wagon)	FL	85
A2086	MAZDA	FAMILIA/323/FORD LASER	85/07~89/05	BF High Road clearance	FL	86
		FAMILIA/323/FORD LASER	85/01~89/05	BF5P.F(Excl.Adjustable Type)	RR	85
		FAMILIA/323/FORD LASER	85/11~89/05	BF5S.F(Cabriolet)BF5W(Wagon)	RR	85
●A2094	SUBARU	SUBARU1600/1800(LHD)	83~94	Multi-Purpose Vehicle 4WD	F	131
●A2101	SUBARU	SUBARU1600/1800(LHD)	83~84/08	Station Wagon DL,GLF(2WD)	F	131
●A2102	SUBARU	SUBARU1300/1600/1800(L)	84/08~	4-Door SED 1.6 & 1.8(AT & MT)	FR	130
		SUBARU1300/1600/1800(L)	84/08~	Station Wagon 1.3 & 1.6	FR	130
●A2103	SUBARU	SUBARU1300/1600/1800(L)	84/08~	4-Door SED 1.6 & 1.8(AT & MT)	FL	130
		SUBARU1300/1600/1800(L)	84/08~	Station Wagon 1.3 & 1.6	FL	130
●A2106	SUBARU	SUBARU1300/1600/1800(L)	84/08~	Station Wagon D/R(Excl.ps)	FR	130
●A2107	SUBARU	SUBARU1300/1600/1800(L)	84/08~	Station Wagon D/R(Excl.ps)	FL	130
A2124	TOYOTA	COROLLA/SPRINTER	87/05~92/05	AE91(FXZi,Xi) STRUT ASSY TYPE	RR	148
		COROLLA/SPRINTER	87/05~92/05	AE91(Excl.FXZi,Xi)	RR	148
		COROLLA/SPRINTER	87/05~92/05	AE92	RR	148
		COROLLA/SPRINTER	87/05~92/05	CE90 STRUT ASSY TYPE	RR	148
		COROLLA/SPRINTER	87/05~92/05	EE90,AE91/92,CE90 with Rough Road Package	RR	148
A2125	TOYOTA	COROLLA/SPRINTER	87/08~92/05	AE91G(Wagon) STRUT ASSY TYPE	RR	148
		COROLLA/SPRINTER	87/05~92/05	AE91(FXZi,Xi) STRUT ASSY TYPE	RL	148
		COROLLA/SPRINTER	87/05~92/05	AE91(Excl.FXZi,Xi)	RL	148
		COROLLA/SPRINTER	87/05~92/05	AE92	RL	148
		COROLLA/SPRINTER	87/05~92/05	CE90 STRUT ASSY TYPE	RL	148
A2136	MAZDA	COROLLA/SPRINTER	87/05~92/05	EE90,AE91/92,CE90 with Rough Road Package	RL	148
		FAMILIA/323	89/01~94/02	BG3S,BG3P,BG5P,BG7P	FR	83
		FAMILIA/323	89/01~94/02	BG5P/BG5S ALL	FR	84
		FAMILIA/323	90~94	BG3/5S/5P BG5/6/8P 2WD High Road clearance	FR	84
		FAMILIA/323	90/01~94/02	BG8P(4WD)	FR	84
A2137	MAZDA	FAMILIA/323	90/11~94/02	BG8S	FR	84
		FAMILIA/323	89/01~94/02	BG3S,BG3P,BG5P,BG7P	FL	83
		FAMILIA/323	89/01~94/02	BG5P/BG5S ALL	FL	84
		FAMILIA/323	90~94	BG3/5S/5P BG5/6/8P 2WD High Road clearance	FL	84
		FAMILIA/323	90/01~94/02	BG8P(4WD)	FL	84
		FAMILIA/323	90/11~94/02	BG8S	FL	84

STOCK NO.

O.E.M NO.

KIT

A2000 SERIES

TOKICO NO.	MANUFACTURER	VEHICLE	YEAR	MAKE & MODEL	VEHICLE POSITION	REF PAGE
A2138	MAZDA	FAMILIA/323	89/01~94/02	BG3S,BG3P,BG5P,BG7P	RR	83
		FAMILIA/323	89/01~94/02	BG5P/BG5S ALL	RR	84
		FAMILIA/323	89/06~94/08	BG5,BG6,BG8P 2WD Coupe	RR	84
		FAMILIA/323	90/11~94/02	BG8S	RR	84
		FAMILIA/323			RR	84
A2139	MAZDA	FAMILIA/323	89/01~94/02	BG3S,BG3P,BG5P,BG7P	RL	83
		FAMILIA/323	89/01~94/02	BG5P/BG5S ALL	RL	84
		FAMILIA/323	89/06~94/08	BG5,BG6,BG8P 2WD Coupe	RL	84
		FAMILIA/323	90/11~94/02	BG8S	RL	84
		FAMILIA/323			RL	84
A2158	SUBARU	JUSTY,J SERIES	96~	HSJ/N56(4WD)chassis No. TSMM###	FR	130
	SUZUKI	CULTUS CULTUS	88/09~92 91~92/06	AA34S(Twincam GT-1) AA/B44(SF310),AF/H/ K35(SF413),AH/J14(SF416)	FR FR	135 135
A2159	SUBARU	JUSTY,J SERIES	96~	HSJ/N56(4WD)chassis No. TSMM###	FL	130
	SUZUKI	CULTUS CULTUS	88/09~92 91~92/06	AA34S(Twincam GT-1) AA/B44(SF310),AF/H/ K35(SF413),AH/J14(SF416)	FL FL	135 135
●A2160	SUZUKI	CULTUS	88/09~90	AA34(SF413),AF/H35(SF413), AH/J14(SF416)	FR	135
●A2161	SUZUKI	CULTUS	88/09~90	AA34(SF413),AF/H35(SF413), AH/J14(SF416)	FL	135
●A2163 (B2177)	MAZDA	PRESSO/MX-3/AZ-3	91~	EC5/8/13	FR	88
●A2164 (B2178)	MAZDA	PRESSO/MX-3/AZ-3	91~	EC5/8/13	FL	88
A2175	MAZDA	FAMILIA/323	94/03~	BHALP,BHALS W/ABS	FR	84
		FAMILIA/323	93/04~94/03	BH5AP	FR	84
		FAMILIA/323	94/03~	BHA5P,BHA5S,BHA8P,BHA8S W/ABS	FR	84
A2176	MAZDA	FAMILIA/323	94/03~	BHALP,BHALS W/ABS	FL	84
		FAMILIA/323	93/04~94/03	BH5AP	FL	84
		FAMILIA/323	94/03~	BHA5P,BHA5S,BHA8P,BHA8S W/ABS	FL	84
A2196	MAZDA	FAMILIA/323	89/01~	BG	RR	84
		FAMILIA/323	89/06~94/08	BG5,BG6,BG8P 2WD Coupe High Road clearance	RR	84
		FAMILIA/323	90~94	BG3/5S/5P BG5/6/8P 2WD High Road clearance	RR	84
A2197	MAZDA	FAMILIA/323	89/01~	BG	RL	84
		FAMILIA/323	89/06~94/08	BG5,BG6,BG8P 2WD Coupe High Road clearance	RL	84
		FAMILIA/323	90~94	BG3/5S/5P BG5/6/8P 2WD High Road clearance	RL	84
A2202	MAZDA	FAMILIA/323	97/06~99	BA11P3(High Floor)	FR	84
A2203	MAZDA	FAMILIA/323	97/06~99	BA11P3(High Floor)	FL	84
A2204	MAZDA	FAMILIA/323	93/04~94/03	BH5AP	RR	84
		FAMILIA/323	94/03~	BHA5P,BHA5S,BHA8P,BHA8S W/ABS	RR	84
A2205	MAZDA	FAMILIA/323	93/04~94/03	BH5AP	RL	84
		FAMILIA/323	94/03~	BHA5P,BHA5S,BHA8P,BHA8S W/ABS	RL	84
A2206	MAZDA	FAMILIA/323	97/06~99	BA11P3(High Floor)	RR	84
A2207	MAZDA	FAMILIA/323	97/06~99	BA11P3(High Floor)	RL	84
A2210	NISSAN	SERENA	91/06~95/05	C23(BUILT IN JAPAN)Rear Multi Link	FR	115
A2211	NISSAN	SERENA	91/06~95/05	C23(BUILT IN JAPAN)Rear Multi Link	FL	115
A2216	NISSAN	SUNNY/LAUREL SPIRIT	95~99	B14	FR	117
A2217	NISSAN	SUNNY/LAUREL SPIRIT	95~99	B14	FL	117
A2218	MITSUBISHI	LANCER/COLT/MIRAGE	91/08~96	CA#A,CB#A,CC#A,CD#A	FR	96
		LANCER/COLT/MIRAGE	91/08~96	CA#A,CB#A,CC#A,CD#A	FR	97
		LANCER/COLT/MIRAGE	91/08~96	CA#A,CB#A,CC#A,CD#A with High Ground,Clearance Sus.	FR	97
		LANCER ESTATE/RIBERO LANCER/LANCER CEDIA	92/04~00/05 92/08~	CB#V/W CB2A,CB4A	FR FR	96 98

STOCK NO.

O.E.M. NO.

KIT

A2000 SERIES

TOKICO NO.	MANUFACTURER	VEHICLE	YEAR	MAKE & MODEL	VEHICLE POSITION	REF PAGE
A2219	MITSUBISHI	LANCER/COLT/MIRAGE	91/08~96	CA#A,CB#A,CC#A,CD#A	FL	96
		LANCER/COLT/MIRAGE	91/08~96	CA#A,CB#A,CC#A,CD#A	FL	97
		LANCER/COLT/MIRAGE	91/08~96	CA#A,CB#A,CC#A,CD#A with High Ground,Clearance Sus.	FL	97
		LANCER ESTATE/RIBERO	92/04~00/05	CB#V/W	FL	96
		LANCER/LANCER CEDIA	92/08~	CB2A,CB4A	FL	98
A2227	MITSUBISHI	LANCER (MADE IN THAILAND ONLY)	96~99	CK5A, 1800 MADE IN THAILAND	FR	96
A2228	MITSUBISHI	LANCER (MADE IN THAILAND ONLY)	96~99	CK5A, 1800 MADE IN THAILAND	FL	96
A2237	SUBARU	JUSTY,J SERIES	96~	HSJ/N56(4WD)chassis No. TSM##	R	130
	SUZUKI	CULTUS	88/09~90	AA34(SF413),AF/H35(SF413), AH/J14(SF416)	R	135
		CULTUS	91~92/06	AA/B44(SF310),AF/H/K35(SF413),AH/J14(SF416)	R	135
A2271	MITSUBISHI	LANCER (MADE IN THAILAND ONLY)	96~99	CK2A, 1500 MADE IN THAILAND	FR	96
A2272	MITSUBISHI	LANCER (MADE IN THAILAND ONLY)	96~99	CK2A, 1500 MADE IN THAILAND	FL	96
A2277	NISSAN	LARGO	93/05~96/10	NW30,VNW30(4WD)	FR	111
A2278	NISSAN	LARGO	93/05~96/10	NW30,VNW30(4WD)	FL	111
A2279	NISSAN	SERENA	91/06~98/01	KBNC23,KVNC23 4WD	FR	115
A2280	NISSAN	SERENA	91/06~98/01	KBNC23,KVNC23 4WD	FL	115
A2284	MAZDA	FAMILIA/323	89/06~94/08	BG8 R,RF,Z(4WD)	RR	84
		FAMILIA/323	90/01~94/02	BG8P(4WD)	RR	84
A2285	MAZDA	FAMILIA/323	89/06~94/08	BG8 R,RF,Z(4WD)	RL	84
		FAMILIA/323	90/01~94/02	BG8P(4WD)	RL	84

STOCK NO.

O.E.M NO.

KIT

A3000 SERIES

TOKICO NO.	MANUFACTURER	VEHICLE	YEAR	MAKE & MODEL	VEHICLE POSITION	REF PAGE
A3005	MAZDA	LUCE/RX-4/929	81/10~86/09	HBSHE(EG1),HBSN2(Rotary) HBES(EG1), HBSN2(Excl.12A Rotary Turbo LTD)	FR	86
		LUCE/RX-4/929	81/10~	HBPH8,HBPH8,HBPS2 (Diesel,Incl.),HBEJ,HBEP, HBPS2(Diesel),HBEP	FR	86
A3006	MAZDA	LUCE/RX-4/929	81/10~86/09	HBSHE(EG1),HBSN2(Rotary) HBES(EG1), HBSN2(Excl.12A Rotary Turbo LTD)	FL	86
		LUCE/RX-4/929	81/10~	HBPH8,HBPH8,HBPS2 (Diesel,Incl.),HBEJ,HBEP, HBPS2(Diesel),HBEP	FL	86
A3012	MITSUBISHI	GALANT/MAGNA/SIGMA	83/08~87	E13,E14,E15,E17	F	95
		GALANT SIGMA ETERNA	83/08~87	E15 ALL,E17 Excl.Air sus	F	94
A3031	MAZDA	CAPELLA/626/FORD TELSTAR/MX-6/CRONOS	88~92	GD6/88/E/F,BT21 2WD	FR	82
A3032	MAZDA	CAPELLA/626/FORD TELSTAR/MX-6/CRONOS	88~92	GD6/88/E/F,BT21 2WD	FL	82
A3037	NISSAN	BLUEBIRD	85/06~89/11	U11	FR	106
		STANZA/AUSTER/VIOLET	85/10~90/04	T12**Vi,Mi,Xi,Si	FR	116
		STANZA/AUSTER/VIOLET	85/10~90/04	T12(XT Turbo,SUPREMO Turbo) T12(SUPREMO Twincam Turbo)	FR	116
A3038	NISSAN	BLUEBIRD	85/06~89/11	U11	FL	106
		STANZA/AUSTER/VIOLET	85/10~90/04	T12**Vi,Mi,Xi,Si	FL	116
		STANZA/AUSTER/VIOLET	85/10~90/04	T12(XT Turbo,SUPREMO Turbo) T12(SUPREMO Twincam Turbo)	FL	116
A3039	NISSAN	BLUEBIRD	83/10~86/10	U11(Wagon)	FR	105
A3040	NISSAN	BLUEBIRD	83/10~86/10	U11(Wagon)	FL	105
A3041	NISSAN	BLUEBIRD	83/10~87/08	U11	FR	105
		BLUEBIRD	83/10~86/01	U11(Diesel Van)	FR	105
A3042	NISSAN	BLUEBIRD	83/10~87/08	U11	FL	105
		BLUEBIRD	83/10~86/01	U11(Diesel Van)	FL	105
A3064	NISSAN	PULSAR/LANGLEY/LIBERTA VILLA/EXA	90/10~94/12	N14(1400,2000 DIESEL)(2WD)	RR	114
		PULSAR/LANGLEY/LIBERTA VILLA/EXA	90/10~94/12	NB13/NN14(4WD Excl Gti-R)	RR	114
A3065	NISSAN	PULSAR/LANGLEY/LIBERTA VILLA/EXA	90/10~94/12	N14(1400,2000 DIESEL)(2WD)	RL	114
		PULSAR/LANGLEY/LIBERTA VILLA/EXA	90/10~94/12	NB13/NN14(4WD Excl Gti-R)	RL	114
A3066	MAZDA	CAPELLA/626/FORD TELSTAR/MX-6/CRONOS	88~92	GD6/88/E/F,BT21 2WD	R	82
A3078	MAZDA	MIATA/PROBE/MX-5/ROADSTER	91/10~94/07		FR	88
A3079	MAZDA	MIATA/PROBE/MX-5/ROADSTER	91/10~94/07		FL	88
A3080	MAZDA	MIATA/PROBE/MX-5/ROADSTER	91/10~94/07		R	88
A3086	SUZUKI	ESCUDO/VITARA/SE416/SV420/SV620/X90/SQ416/SQ420/SQ425	89~95	TA01,02,TD01,02	FR	136
A3087	SUZUKI	ESCUDO/VITARA/SE416/SV420/SV620/X90/SQ416/SQ420/SQ425	89~95	TA01,02,TD01,02	FL	136
A3090	TOYOTA	COROLLA/SPRINTER	91/06~97/04	AE101,CE100,AE101GT	FR	149
		COROLLA/SPRINTER	91/06~97/04	AE100,EE101	FR	149
		COROLLA/SPRINTER	91/06~00/08	CE106,108,EE106(LPG VAN), EE107,EE108,2WD WAGON,VAN	FR	149
		COROLLA/SPRINTER	97/08~00/08	EE111,AE111/2	FR	149
		COROLLA/SPRINTER	95/05~00/06	EE110/111,AE110/111	FR	149
		COROLLA/SPRINTER	97/05~00/08	EE111,AE111/112	FR	149
A3091	TOYOTA	COROLLA/SPRINTER	91/06~97/04	AE101,CE100,AE101GT	FL	149
		COROLLA/SPRINTER	91/06~97/04	AE100,EE101	FL	149
		COROLLA/SPRINTER	91/06~00/08	CE106,108,EE106(LPG VAN), EE107,EE108,2WD WAGON,VAN	FL	149
		COROLLA/SPRINTER	97/08~00/08	EE111,AE111/2	FL	149
		COROLLA/SPRINTER	95/05~00/06	EE110/111,AE110/111	FL	149
		COROLLA/SPRINTER	97/05~00/08	EE111,AE111/112	FL	149
A3098	MAZDA	CAPELLA/626/FORD TELSTAR/MX-6/CRONOS	91/09~97/05	GE74F(2.5-2WD-4WS)	FR	82
		EUNOS500/XEDOS6	92/06~99	CAEP,CAPP,CA8P(1.8/2.4 4D SED)	FR	83
		CAPELLA/626/FORD TELSTAR/MX-6/CRONOS	91/09~97/05	GE74F(2.5-2WD-4WS)	FL	82
		EUNOS500/XEDOS6	92/06~99	CAEP,CAPP,CA8P(1.8/2.4 4D SED)	FL	83
		FAMILIA/323	94/09~	CBAEP Chassis NO~151007	RR	84
		FAMILIA/323/ASTINA/LANTIS/LIATA	94/09~95	CBAEP,CBA8P 1.8,2.0 V6 MUTOR chassis NO.~151007	RR	85
A3152	MAZDA	FAMILIA/323	94/09~	CBAEP Chassis NO~151007	RL	84

STOCK NO.

O.E.M NO.

KIT

A3000 SERIES

TOKICO NO.	MANUFACTURER	VEHICLE	YEAR	MAKE & MODEL	VEHICLE POSITION	REF PAGE
A3152	MAZDA	FAMILIA/323/ASTINA/LANTIS/LIATA	94/09~95	CBAEP,CBA8P 1.8,2.0 V6 MUTOR chassis NO.~151007	RL	85
A3192	MITSUBISHI	LANCER MIRAGE HATCHBACK	87/09~92	C51A,C52A,C52A(SWIFT), C53A(TURBO),C54A,C58A,C61A, C62A,C63A,C64A,C65A,C68A	F	96
		LANCER MIRAGE HATCHBACK	88/05~88/11	C5#A,C6#A	F	96
		LANCER MIRAGE HATCHBACK	88/04~92	C5#A,C6#A	F	96
		MIRAGE HATCHBACK	87/09~92	C51A,C52A,C52A(SWIFT),C53A (TURBO),C54A,C58A,C61A, C62A,C63A,C64A,C65A,C68A	F	99
		MIRAGE SEDAN	87/12~92	C61A,C62A,C64A	F	99
		MIRAGE SEDAN	87/12~92	C63A	F	99
A3218	MAZDA	BONGO/FRIENDEE/ FORD FREDA	95~03	GAS/DIESEL 2.0,2.5	FR	82
A3219	MAZDA	BONGO/FRIENDEE/ FORD FREDA	95~03	GAS/DIESEL 2.0,2.5	FL	82

STOCK NO.

O.E.M NO.

KIT

A4000 SERIES

TOKICO NO.	MANUFACTURER	VEHICLE	YEAR	MAKE & MODEL	VEHICLE POSITION	REF PAGE
A4002	MAZDA	LUCE/RX-4/929	86/12~95/12		FR	86
A4003	MAZDA	LUCE/RX-4/929	86/12~95/12		FL	86
A4010	MAZDA	LUCE/RX-4/929	87~88/08		FR	86
A4011	MAZDA	LUCE/RX-4/929	87~88/08		FL	86
A4016	MAZDA	LUCE/RX-4/929	88/08~92/03		FR	86
A4017	MAZDA	LUCE/RX-4/929	88/08~92/03		FL	86

STOCK NO.

O.E.M NO.

KIT

B1000 SERIES

TOKICO NO.	MANUFACTURER	VEHICLE	YEAR	MAKE & MODEL	VEHICLE POSITION	REF PAGE
●B1027 (A1027)	MAZDA	FAMILIA/323	80/06~84/12	BD1031,BD1051(Excl.Turbo)	RR	83
		FORD LASER	82/09~84/12	BE3PF,BE5PE(Excl.Turbo)	RR	86
●B1028 (A1028)	MAZDA	FAMILIA/323	80/06~84/12	BD1031,BD1051(Excl.Turbo)	RL	83
		FORD LASER	82/09~84/12	BE3PF,BE5PE(Excl.Turbo)	RL	86
B1031	TOYOTA	TERCEL/CORSA/COROLLA II	82/05~86/05	AL20,21	RR	174
B1032	TOYOTA	TERCEL/CORSA/COROLLA II	82/05~86/05	AL20,21	RL	174
B1033	TOYOTA	COROLLA/SPRINTER	83/05~84/03	CE80	RR	147
		COROLLA/SPRINTER	83/05~85/04	AE80,81,82	RR	147
		COROLLA/SPRINTER	83/08~85/04	CE80	RR	147
		COROLLA/SPRINTER	85/05~87/04	AE81(5-door),AE82(Excl.GT)	RR	148
		COROLLA/SPRINTER	85/05~87/04	EE80,AE81(4-door)	RR	148
B1034	TOYOTA	COROLLA/SPRINTER	83/05~84/03	CE80	RL	147
		COROLLA/SPRINTER	83/05~85/04	AE80,81,82	RL	147
		COROLLA/SPRINTER	83/08~85/04	CE80	RL	147
		COROLLA/SPRINTER	85/05~87/04	AE81(5-door),AE82(Excl.GT)	RL	148
		COROLLA/SPRINTER	85/05~87/04	EE80,AE81(4-door)	RL	148
●B1037	TOYOTA	COROLLA/SPRINTER	85/05~87/04	AE82(GT)	R	148
B1040	NISSAN	PULSAR/LANGLEY/LIBERTA VILLA/EXA	86/05~90/09	N13 All (Excl.N13,4WD,Adjustable Type)	RR	114
		PULSAR/LANGLEY/LIBERTA VILLA/EXA	86/05~90/09	N13	RR	114
		SUNNY/LAUREL SPIRIT	85/09~90/09	B12 All(Incl. Wagon,Excl Van, 4WD,NISMO Version,Adjustable Type),HB12,RHB12	RR	117
B1041	NISSAN	PULSAR/LANGLEY/LIBERTA VILLA/EXA	86/05~90/09	N13 All (Excl.N13,4WD,Adjustable Type)	RL	114
		PULSAR/LANGLEY/LIBERTA VILLA/EXA	86/05~90/09	N13	RL	114
		SUNNY/LAUREL SPIRIT	85/09~90/09	B12 All(Incl. Wagon,Excl Van, 4WD,NISMO Version,Adjustable Type),HB12,RHB12	RL	117
B1042	NISSAN	PULSAR/LANGLEY/LIBERTA VILLA/EXA	86/05~90/09	N13 All (Excl.N13,4WD,Adjustable Type)	FR	114
		PULSAR/LANGLEY/LIBERTA VILLA/EXA	86/05~90/09	N13	FR	114
		SUNNY/LAUREL SPIRIT	85/09~90/09	B12 All(Incl. Wagon,Excl Van, 4WD,NISMO Version,Adjustable Type),HB12,RHB12	FR	117
B1043	NISSAN	PULSAR/LANGLEY/LIBERTA VILLA/EXA	86/05~90/09	N13 All (Excl.N13,4WD,Adjustable Type)	FL	114
		PULSAR/LANGLEY/LIBERTA VILLA/EXA	86/05~90/09	N13	FL	114
		SUNNY/LAUREL SPIRIT	85/09~90/09	B12 All(Incl. Wagon,Excl Van, 4WD,NISMO Version,Adjustable Type),HB12,RHB12	FL	117
●B1044	SUZUKI	CULTUS	83/10~86/10	AA41S,All Chassis No100001~ 113348~,AA41V,AB41S,51S	FR	135
●B1045	SUZUKI	CULTUS	83/10~86/10	AA41S,All Chassis No100001~ 113348~,AA41V,AB41S,51S	FL	135
●B1048 (A1048)	MAZDA	FAMILIA/323/FORD LASER	85/01~89/05	BF3P,F(Excl.Adjustable Type)	RR	85
		FAMILIA/323/FORD LASER	85/09~89/05	BF7P,F(Diesel,Excl.Adjustable Type)	RR	85
●B1049 (A1049)	MAZDA	FAMILIA/323/FORD LASER	85/01~89/05	BF3P,F(Excl.Adjustable Type)	RL	85
		FAMILIA/323/FORD LASER	85/09~89/05	BF7P,F(Diesel,Excl.Adjustable Type)	RL	85
●B1050 (A1050)	NISSAN	MARCH/MICRA	82/10~92/11	K10 All	FR	112
●B1051 (A1051)	NISSAN	MARCH/MICRA	82/10~92/11	K10 All	FL	112
●B1052 (A1052)	DAIHATSU	CHARADE	83/01~86/12	G11,V,G30,V(Incl.Van,Excl.TX, TS,CX,Turbo)	FR	50
		CHARADE	83/01~86/12	G11,G30,(TX,TS,CX)	FR	50
		CHARADE	83/09~86/12	G11,G30,(Turbo,DETOMASO Turbo)G26 (926 Turbo)	FR	50
●B1053 (A1053)	DAIHATSU	CHARADE	83/01~86/12	G11,V,G30,V(Incl.Van,Excl.TX, TS,CX,Turbo)	FL	50
		CHARADE	83/01~86/12	G11,G30,(TX,TS,CX)	FL	50
		CHARADE	83/09~86/12	G11,G30,(Turbo,DETOMASO Turbo)G26 (926 Turbo)	FL	50

STOCK NO.

O.E.M NO.

KIT

B1000 SERIES

TOKICO NO.	MANUFACTURER	VEHICLE	YEAR	MAKE & MODEL	VEHICLE POSITION	REF PAGE
●B1058 (A1058)	DAIHATSU	CHARADE	87/01~87/11	G100S(TD,TS,CS,CD), G101S(TD,CD,CS)	FR	50
		CHARADE	87/01~87/11	G100S(TX,CX,Turbo CX), G101S(TX,CX)	FR	50
		CHARADE	87/01~	G100S(Turbo TR)	FR	50
		CHARADE	87/10~	G100S(GTTi,GTXX)	FR	50
		CHARADE	87/11~	G100S(TD,TS,CS,CD), G101S(TD,CD,CS)	FR	50
		CHARADE	87/11~	G100S(TX,CX,Turbo CX), G101S(TX,CX)	FR	50
		CHARADE	88/02~	G102S	FR	50
		CHARADE	90/11~	G100,101(KISA)	FR	50
●B1059 (A1059)	DAIHATSU	CHARADE	87/01~87/11	G100S(TD,TS,CS,CD), G101S(TD,CD,CS)	FL	50
		CHARADE	87/01~87/11	G100S(TX,CX,Turbo CX), G101S(TX,CX)	FL	50
		CHARADE	87/01~	G100S(Turbo TR)	FL	50
		CHARADE	87/10~	G100S(GTTi,GTXX)	FL	50
		CHARADE	87/11~	G100S(TD,TS,CS,CD), G101S(TD,CD,CS)	FL	50
		CHARADE	87/11~	G100S(TX,CX,Turbo CX), G101S(TX,CX)	FL	50
		CHARADE	88/02~	G102S	FL	50
		CHARADE	90/11~	G100,101(KISA)	FL	50
●B1060 (A1060)	SUZUKI	CULTUS	86/06~89	AA43S(Turbo),AA33S,AB33S AA43S(Excl.Turbo),AB43S, AA53S,AB53S(MR,GR),AA43V	FR	135
				AA43S(Turbo),AA33S,AB33S AA43S(Excl.Turbo),AB43S, AA53S,AB53S(MR,GR),AA43V	FL	135
B1064	TOYOTA	COROLLA LEVIN & SPRINTER TRUENO COROLLA/SPRINTER COROLLA/SPRINTER	87/05~91/06 87/05~ 87/05~	AE91(L) STRUT ASSY TYPE AE91(Excl.FXZi,Xi) STRUT ASSY TYPE EE90 STRUT ASSY TYPE	RR RR RR	150 148 148
B1065	TOYOTA	COROLLA LEVIN & SPRINTER TRUENO COROLLA/SPRINTER COROLLA/SPRINTER	87/05~91/06 87/05~ 87/05~	AE91(L) STRUT ASSY TYPE AE91(Excl.FXZi,Xi) STRUT ASSY TYPE EE90 STRUT ASSY TYPE	RL RL RL	150 148 148
B1066	NISSAN	SUNNY/LAUREL SPIRIT	90/04~94/12	B13(2WD)	RR	117
B1067	NISSAN	SUNNY/LAUREL SPIRIT	90/04~94/12	B13(2WD)	RL	117
B1068	NISSAN	PULSAR/LANGLEY/LIBERTA VILLA/EXA SUNNY/LAUREL SPIRIT SUNNY TRAVELLER/AD WAGON VAN	90/10~94/12	N14(1400,2000 DIESEL)(2WD)	FR	114
			90/04~94/12	B13(2WD)	FR	117
			90/11~99/05	WFY10,VY10(2WD)	FR	116
B1069	NISSAN	PULSAR/LANGLEY/LIBERTA VILLA/EXA SUNNY/LAUREL SPIRIT SUNNY TRAVELLER/AD WAGON VAN	90/10~94/12	N14(1400,2000 DIESEL)(2WD)	FL	114
			90/04~94/12	B13(2WD)	FL	117
			90/11~99/05	WFY10,VY10(2WD)	FL	116
●B1070 (A1070)	DAIHATSU	CHARADE	88/02~	G112S(4WD)	FR	50
		CHARADE	90/11~97/09	G112	FR	50
		APPLAUSE	89/06~97/09	A101	FR	50
		APPLAUSE	89/06~97/09	A101	FR	50
		APPLAUSE	90/10~97/09	A101	FR	50
		APPLAUSE	89/06~97/09	A111(4WD)	FR	50
●B1071 (A1071)	DAIHATSU	CHARADE	88/02~	G112S(4WD)	FL	50
		CHARADE	90/11~97/09	G112	FL	50
		APPLAUSE	89/06~97/09	A101	FL	50
		APPLAUSE	89/06~97/09	A101	FL	50
		APPLAUSE	90/10~97/09	A101	FL	50
		APPLAUSE	89/06~97/09	A111(4WD)	FL	50
●B1072 (A1072)	DAIHATSU	CHARADE	88/02~	G112S(4WD)	RR	50
		CHARADE	90/11~97/09	G112	RR	50
		APPLAUSE	89/06~97/09	A111(4WD)	RR	50
●B1073 (A1073)	DAIHATSU	CHARADE	88/02~	G112S(4WD)	RL	50
		CHARADE	90/11~97/09	G112	RL	50
		APPLAUSE	89/06~97/09	A111(4WD)	RL	50

STOCK NO.

O.E.M. NO.

KIT

B1000 SERIES

TOKICO NO.	MANUFACTURER	VEHICLE	YEAR	MAKE & MODEL	VEHICLE POSITION	REF PAGE
●B1074 (A1074)	DAIHATSU	CHARADE	87/01~	G100S(Turbo TR)	RR	50
		CHARADE	88/02~	G102S	RR	50
●B1075 (A1075)	DAIHATSU	CHARADE	87/01~	G100S(Turbo TR)	RL	50
		CHARADE	88/02~	G102S	RL	50
●B1076 (A1076)	DAIHATSU	CHARADE	87/01~87/11	G100S(TD,TS,CS,CD), G101S(TD,CD,CS)	RR	50
		CHARADE	87/01~87/11	G100S(TX,CX,Turbo CX), G101S(TX,CX)	RR	50
		CHARADE	87/11~	G100S(TD,TS,CS,CD), G101S(TD,CD,CS)	RR	50
		CHARADE	87/11~	G100S(TX,CX,Turbo CX), G101S(TX,CX)	RR	50
●B1077 (A1077)	DAIHATSU	CHARADE	87/01~87/11	G100S(TD,TS,CS,CD), G101S(TD,CD,CS)	RL	50
		CHARADE	87/01~87/11	G100S(TX,CX,Turbo CX), G101S(TX,CX)	RL	50
		CHARADE	87/11~	G100S(TD,TS,CS,CD), G101S(TD,CD,CS)	RL	50
		CHARADE	87/11~	G100S(TX,CX,Turbo CX), G101S(TX,CX)	RL	50
●B1078 (A1078)	SUZUKI	CULTUS	88/09~92	AA34S(Twincam GT-1)	R	135
B1079	TOYOTA	COROLLA/SPRINTER	91/06~97/04	AE100,EE101	RR	149
		COROLLA/SPRINTER	95/05~00/06	EE110/111,AE110/111	RR	149
B1080	TOYOTA	COROLLA/SPRINTER	91/06~97/04	AE100,EE101	RL	149
		COROLLA/SPRINTER	95/05~00/06	EE110/111,AE110/111	RL	149
B1093	NISSAN	MARCH/MICRA	92/08~02/02	K11,HK11	FR	112
B1094	NISSAN	MARCH/MICRA	92/08~02/02	K11,HK11	FL	112
B1099	NISSAN	SUNNY/SENTRA/ALMERA	98/12~03/02	B15 1300,1500	FR	119
		SUNNY/SENTRA/ALMERA	98/10~	ABS Type only B15(2WD)1300,1500	FR	120
B1100	NISSAN	SUNNY/SENTRA/ALMERA	98/12~03/02	B15 1300,1500	FL	119
		SUNNY/SENTRA/ALMERA	98/10~	ABS Type only B15(2WD)1300,1500	FL	120

STOCK NO.

O.E.M. NO.

KIT

B2000 SERIES

TOKICO NO.	MANUFACTURER	VEHICLE	YEAR	MAKE & MODEL	VEHICLE POSITION	REF PAGE
●B2029 (A2029)	MAZDA	FAMILIA/323	80/06~84/12	BD1031,BD1051(Excl.Turbo)	FR	83
		FAMILIA/323	83/06~84/12	BD1051(XG,XG-R Turbo)	FR	83
		FORD LASER	82/09~84/12	BE3PF,BE5PE(Excl.Turbo)	FR	86
		FORD LASER	83/06~84/12	BE5PE(Turbo, Turbo S)	FR	86
●B2030 (A2030)	MAZDA	FAMILIA/323	80/06~84/12	BD1031,BD1051(Excl.Turbo)	FL	83
		FAMILIA/323	83/06~84/12	BD1051(XG,XG-R Turbo)	FL	83
		FORD LASER	82/09~84/12	BE3PF,BE5PE(Excl.Turbo)	FL	86
		FORD LASER	83/06~84/12	BE5PE(Turbo, Turbo S)	FL	86
●B2040 (A2040)	NISSAN	SUNNY/LAUREL SPIRIT	81/10~85/08	B11 All(Incl. Wagon,Excl. Van)	FR	117
		SUNNY/PULSAR/DATSUN AD VAN	82/10~92/06	B11 VB11,VHB11, VSB11 TB11(Van)	FR	118
		PRAIRIE	82/08~88/08	BM10,PM10,VBN10 All	FR	113
●B2041 (A2041)	NISSAN	SUNNY/LAUREL SPIRIT	81/10~85/08	B11 All(Incl. Wagon,Excl. Van)	FL	117
		SUNNY/PULSAR/DATSUN AD VAN	82/10~92/06	B11 VB11,VHB11, VSB11 TB11(Van)	FL	118
		PRAIRIE	82/08~88/08	BM10,PM10,VBN10 All	FL	113
●B2042	TOYOTA	CAMRY (FF)/VISTA(FF)	82/03~86/07	SV10,11,12, CV10,11	RR	140
●B2043	TOYOTA	CAMRY (FF)/VISTA(FF)	82/03~86/07	SV10,11,12, CV10,11	RL	140
B2050	TOYOTA	CARINA(FF)	84/05~88/04	AT151(SG),AT151(ST)	RR	145
		CARINA(FF)	84/05~85/04	ST150,CT150	RR	145
		CARINA(FF)	84/05~88/04	AT150,AT151(SG)	RR	145
		CARINA(FF)	85/05~88/04	ST150,CT150	RR	145
		CORONA(FF)	83/01~85/05	ST150,CT150	RR	154
		CORONA(FF)	83/10~87/11	AT150	RR	154
B2051	TOYOTA	CARINA(FF)	84/05~88/04	AT151(SG),AT151(ST)	RL	145
		CARINA(FF)	84/05~85/04	ST150,CT150	RL	145
		CARINA(FF)	84/05~88/04	AT150,AT151(SG)	RL	145
		CARINA(FF)	85/05~88/04	ST150,CT150	RL	145
		CORONA(FF)	83/01~85/05	ST150,CT150	RL	154
		CORONA(FF)	83/10~87/11	AT150	RL	154
●B2058 (A2058)	MAZDA	CAPELLA/626/FORD TELSTAR/MX-6/CRONOS	82/09~85/01	GCEP,GCEPF(STD Suspension) GC6P,GC6PF,GC8J GC8PE,GC8P(STD Suspension) GCEP,GCFJ,GCFPF(Diesel)	FR	82
		CAPELLA/626/FORD TELSTAR/MX-6/CRONOS	85/02~	GC8J	FR	82
●B2059 (A2059)	MAZDA	CAPELLA/626/FORD TELSTAR/MX-6/CRONOS	82/09~85/01	GCEP,GCEPF(STD Suspension) GC6P,GC6PF,GC8J GC8PE,GC8P(STD Suspension) GCEP,GCFJ,GCFPF(Diesel)	FL	82
		CAPELLA/626/FORD TELSTAR/MX-6/CRONOS	85/02~	GC8J	FL	82
●B2060 (A2060)	MAZDA	CAPELLA/626/FORD TELSTAR/MX-6/CRONOS	82/09~85/01	GCEP,GCEPF(STD Suspension) GC6P,GC6PF,GC8J GC8PE,GC8P(STD Suspension) GCEP,GCFJ,GCFPF(Diesel)	RR	82
		CAPELLA/626/FORD TELSTAR/MX-6/CRONOS	85/02~	GC8J	RR	82
●B2061 (A2061)	MAZDA	CAPELLA/626/FORD TELSTAR/MX-6/CRONOS	82/09~85/01	GCEP,GCEPF(STD Suspension) GC6P,GC6PF,GC8J GC8PE,GC8P(STD Suspension) GCEP,GCFJ,GCFPF(Diesel)	RL	82
		CAPELLA/626/FORD TELSTAR/MX-6/CRONOS	85/02~	GC8J	RL	82
●B2068	SUBARU	SUBARU E (DOMINGO)	84/08~	GEN,4WD	F	130
		SUBARU E (DOMINGO)	84/08~91/07	EUR.4WD•DX	F	130
		SUBARU E (DOMINGO)	84/08~91/07	EUR.4WD•SDX	F	130
●B2071	HONDA	BALLADE	83/10~87/08	AJ-100,AK-100	FR	63
		BALLADE SPORTS(CR-X)	83/06~87/08	AJ-110,120,AK-110,120	FR	63
		CIVIC(WONDER CIVIC)	83/09~87/08	AE-100,110,120,130 AF-100,110,120,130	FR	66
				AG-100,110,120,130 AH-100,110,120,130 AJ-100,110,120,130 AK-100,110,120,130	FR	66
●B2072	HONDA	BALLADE	83/10~87/08	AJ-100,AK-100 AJ-110,120,AK-110,120	FL	63

STOCK NO.

O.E.M. NO.

KIT

B2000 SERIES

TOKICO NO.	MANUFACTURER	VEHICLE	YEAR	MAKE & MODEL	VEHICLE POSITION	REF PAGE
●B2072	HONDA	BALLADE SPORTS(CR-X)	83/06~87/08	AE-100,110,120,130	FL	63
		CIVIC(WONDER CIVIC)	83/09~87/08	AF-100,110,120,130 AG-100,110,120,130 AH-100,110,120,130 AJ-100,110,120,130 AK-100,110,120,130	FL	66
●B2075	HONDA	PRELUDE	82/11~87/03	AB-100,110,125,129 ***Excl.XC,XJ BA1-100,104	RR	68
●B2076	HONDA	PRELUDE	82/11~87/03	AB-100,110,125,129 ***Excl.XC,XJ BA1-100,104	RL	68
B2078	MITSUBISHI	MIRAGE VAN/LANCER VAN	85/02~86/01	C11V,12V,14V,12W,14W	F	99
		MIRAGE/LANCER FIORE	83/10~85/12	C11A,C12A,C13A,C14A	F	99
		MIRAGE SALOON/LANCER FIORE	83/10~85/12	C11A,C12A,C13A,C14A	F	99
	PROTON	SAGA/MPI	85~96	C2#	F	128
●B2083 (A2083)	MAZDA	FAMILIA/323	94/02~	BW3W,BW5W,BF3V,BF5V, WAGON,VAN	FR	84
		FAMILIA/323/FORD LASER	85/01~89/05	BF3P.F(Excl.Adjustable Type)	FR	85
		FAMILIA/323/FORD LASER	85/01~89/05	BF5P.F(Excl.Adjustable Type) BFMP.F	FR	85
		FAMILIA/323/FORD LASER	85/09~	BFMP.F(Best Handling Sus)	FR	85
		FAMILIA/323/FORD LASER	85/09~89/05	BF7P.F(Diesel,Excl.Adjustable Type)	FR	85
		FAMILIA/323/FORD LASER	85/11~87/04	BF3V,BF5V***Van	FR	85
		FAMILIA/323/FORD LASER	85/11~89/05	BF5S.F(Cabriolet)BF5W(Wagon)	FR	85
●B2084 (A2084)	MAZDA	FAMILIA/323	94/02~	BW3W,BW5W,BF3V,BF5V, WAGON,VAN	FL	84
		FAMILIA/323/FORD LASER	85/01~89/05	BF3P.F(Excl.Adjustable Type)	FL	85
		FAMILIA/323/FORD LASER	85/01~89/05	BF5P.F(Excl.Adjustable Type) BFMP.F	FL	85
		FAMILIA/323/FORD LASER	85/09~	BFMP.F(Best Handling Sus)	FL	85
		FAMILIA/323/FORD LASER	85/09~89/05	BF7P.F(Diesel,Excl.Adjustable Type)	FL	85
		FAMILIA/323/FORD LASER	85/11~87/04	BF3V,BF5V***Van	FL	85
		FAMILIA/323/FORD LASER	85/11~89/05	BF5S.F(Cabriolet)BF5W(Wagon)	FL	85
●B2085 (A2085)	MAZDA	FAMILIA/323/FORD LASER	85/01~89/05	BF5P.F(Excl.Adjustable Type) BFMP.F	RR	85
		FAMILIA/323/FORD LASER	85/11~89/05	BF5S.F(Cabriolet)BF5W(Wagon)	RR	85
●B2086 (A2086)	MAZDA	FAMILIA/323/FORD LASER	85/01~89/05	BF5P.F(Excl.Adjustable Type) BFMP.F	RL	85
		FAMILIA/323/FORD LASER	85/11~89/05	BF5S.F(Cabriolet)BF5W(Wagon)	RL	85
●B2094	SUBARU	SUBARU1600/1800(LHD)	83~94	Multi-Purpose Vehicle 4WD	F	131
B2124	TOYOTA	COROLLA/SPRINTER	87/05~92/05	AE91(FXZi,Xi) STRUT ASSY TYPE	RR	148
		COROLLA/SPRINTER	87/05~92/05	AE91(Excl.FXZi,Xi)	RR	148
		COROLLA/SPRINTER	87/05~92/05	AE92	RR	148
		COROLLA/SPRINTER	87/05~92/05	CE90 STRUT ASSY TYPE	RR	148
		COROLLA/SPRINTER	87/05~92/05	EE90,AE91/92,CE90 with Rough Road Package	RR	148
		COROLLA/SPRINTER	87/08~92/05	AE91G(Wagon) STRUT ASSY TYPE	RR	148
B2125	TOYOTA	COROLLA/SPRINTER	87/05~92/05	AE91(FXZi,Xi) STRUT ASSY TYPE	RL	148
		COROLLA/SPRINTER	87/05~92/05	AE91(Excl.FXZi,Xi)	RL	148
		COROLLA/SPRINTER	87/05~92/05	AE92	RL	148
		COROLLA/SPRINTER	87/05~92/05	CE90 STRUT ASSY TYPE	RL	148
		COROLLA/SPRINTER	87/05~92/05	EE90,AE91/92,CE90 with Rough Road Package	RL	148
		COROLLA/SPRINTER	87/08~92/05	AE91G(Wagon) STRUT ASSY TYPE	RL	148
B2126	TOYOTA	CORONA	87/12~92/03	AT170	RR	154
		CORONA	87/12~	ST170,CT170,310H WAGON	RR	154
B2127	TOYOTA	CORONA	87/12~92/03	AT170	RL	154
		CORONA	87/12~	ST170,CT170,310H WAGON	RL	154
B2136	MAZDA	FAMILIA/323	89/01~94/02	BG3S,BG3P,BG5P,BG7P	FR	83
		FAMILIA/323	89/01~94/02	BG5P/BG5S ALL	FR	84
		FAMILIA/323	90~94	BG3/5S/5P BG5/6/8P 2WD High Road clearance	FR	84
		FAMILIA/323	90/01~94/02	BG8P(4WD)	FR	84
		FAMILIA/323	90/11~94/02	BG8S	FR	84
		FAMILIA/323	90/11~94/02	BG8S	FR	84
B2137	MAZDA	FAMILIA/323	89/01~94/02	BG3S,BG3P,BG5P,BG7P	FL	83
		FAMILIA/323	89/01~94/02	BG5P/BG5S ALL	FL	84

STOCK NO.

O.E.M. NO.

KIT

B2000 SERIES

TOKICO NO.	MANUFACTURER	VEHICLE	YEAR	MAKE & MODEL	VEHICLE POSITION	REF PAGE
B2137	MAZDA	FAMILIA/323	90~94	BG3/5S/5P BG5/6/8P 2WD High Road clearance	FL	84
		FAMILIA/323	90/01~94/02	BG8P(4WD)	FL	84
		FAMILIA/323	90/11~94/02	BG8S	FL	84
		FAMILIA/323			FL	84
B2138	MAZDA	FAMILIA/323	89/01~94/02	BG3S,BG3P,BG5P,BG7P	RR	83
		FAMILIA/323	89/01~94/02	BG5P/BG5S ALL	RR	84
		FAMILIA/323	89/06~94/08	BG5,BG6,BG8P 2WD Coupe	RR	84
		FAMILIA/323	90/11~94/02	BG8S	RR	84
		FAMILIA/323			RR	84
B2139	MAZDA	FAMILIA/323	89/01~94/02	BG3S,BG3P,BG5P,BG7P	RL	83
		FAMILIA/323	89/01~94/02	BG5P/BG5S ALL	RL	84
		FAMILIA/323	89/06~94/08	BG5,BG6,BG8P 2WD Coupe	RL	84
		FAMILIA/323	90/11~94/02	BG8S	RL	84
		FAMILIA/323			RL	84
B2150	TOYOTA	COROLLA/SPRINTER	91/06~97/04	AE101,CE100,AE101GT	RR	149
		COROLLA/SPRINTER	97/08~00/08	EE111,AE111/2	RR	149
		COROLLA/SPRINTER	97/05~00/08	EE111,AE111/112	RR	149
		COROLLA/SPRINTER CARIB/SPACIO	97/05~00/08	AE111,CE110,CE111	RR	150
		COROLLA/SPRINTER CARIB/SPACIO	97/10~98/10	AE11#,CE110 for New Zealand	RR	150
B2151	TOYOTA	COROLLA/SPRINTER	91/06~97/04	AE101,CE100,AE101GT	RL	149
		COROLLA/SPRINTER	97/08~00/08	EE111,AE111/2	RL	149
		COROLLA/SPRINTER	97/05~00/08	EE111,AE111/112	RL	149
		COROLLA/SPRINTER CARIB/SPACIO	97/05~00/08	AE111,CE110,CE111	RL	150
		COROLLA/SPRINTER CARIB/SPACIO	97/10~98/10	AE11#,CE110 for New Zealand	RL	150
B2158	SUBARU	JUSTY,J SERIES	96~	HSJ/N56(4WD)chassis No. TSM##	FR	130
	SUZUKI	CULTUS CULTUS	88/09~92 91~92/06	AA34S(Twincam GT-1) AA/B44(SF310),AF/H/ K35(SF413),AH/J14(SF416)	FR FR	135 135
B2159	SUBARU	JUSTY,J SERIES	96~	HSJ/N56(4WD)chassis No. TSM##	FL	130
	SUZUKI	CULTUS CULTUS	88/09~92 91~92/06	AA34S(Twincam GT-1) AA/B44(SF310),AF/H/ K35(SF413),AH/J14(SF416)	FL FL	135 135
●B2167	MAZDA	FAMILIA/323	89/06~94/08	BG5,BG6,BG8P 2WD Coupe	FR	84
		FAMILIA/323	89/06~94/08	BG5,BG6,BG8P 2WD Coupe High Road clearance	FR	84
●B2168	MAZDA	FAMILIA/323	89/06~94/08	BG5,BG6,BG8P 2WD Coupe	FL	84
		FAMILIA/323	89/06~94/08	BG5,BG6,BG8P 2WD Coupe High Road clearance	FL	84
B2177	MAZDA	PRESSO/MX-3/AZ-3	91~	EC5/8/13	FR	88
B2178	MAZDA	PRESSO/MX-3/AZ-3	91~	EC5/8/13	FL	88
B2186	TOYOTA	TERCEL/CORSA/COROLLA II	90/09~95/08	EL40	FR	174
B2187	TOYOTA	TERCEL/CORSA/COROLLA II	90/09~95/08	EL40	FL	174
B2188	TOYOTA	RAUM	97/05~03/04	EXZ10	FR	172
		STARLET	96/01~00	EP91	FR	174
		TERCEL/CORSA/COROLLA II	87/01~90/09	EL30,ES31(SX),EL31	FR	174
		TERCEL/CORSA/COROLLA II	95/08~99/07	EL50	FR	175
B2189	TOYOTA	RAUM	97/05~03/04	EXZ10	FL	172
		STARLET	96/01~00	EP91	FL	174
		TERCEL/CORSA/COROLLA II	87/01~90/09	EL30,ES31(SX),EL31	FL	174
		TERCEL/CORSA/COROLLA II	95/08~99/07	EL50	FL	175
B2190	MAZDA	FAMILIA/323	94/03~	BHALP,BHALS WO/ABS	FR	84
		FAMILIA/323	94/03~	BHA5P,BHA5S,BHA8P,BHA8S WO/ABS,Chassis NO.~15007	FR	84
		FAMILIA/323	96/08~98/09	BHA3P,BFALP Chassis NO.151007~	FR	84
B2191	MAZDA	FAMILIA/323	94/03~	BHALP,BHALS WO/ABS	FL	84
		FAMILIA/323	94/03~	BHA5P,BHA5S,BHA8P,BHA8S WO/ABS,Chassis NO.~15007	FL	84
		FAMILIA/323	96/08~98/09	BHA3P,BFALP Chassis NO.151007~	FL	84
B2192	MAZDA	FAMILIA/323	94/03~	BHALP,BHALS WO/ABS	RR	84
		FAMILIA/323	96/08~98/09	BHA3P,BFALP Chassis NO.151007~	RR	84
B2193	MAZDA	FAMILIA/323	94/03~	BHALP,BHALS WO/ABS	RL	84

STOCK NO.

O.E.M. NO.

KIT

B2000 SERIES

TOKICO NO.	MANUFACTURER	VEHICLE	YEAR	MAKE & MODEL	VEHICLE POSITION	REF PAGE
B2193	MAZDA	FAMILIA/323	96/08~98/09	BHA3P,BFALP Chassis NO.151007~	RL	84
●B2196 (A2196)	MAZDA	FAMILIA/323	89/01~	BG	RR	84
		FAMILIA/323	89/06~94/08	BG5,BG6,BG8P 2WD Coupe High Road clearance	RR	84
●B2197 (A2197)	MAZDA	FAMILIA/323	90~94	BG3/5S/5P BG5/6/8P 2WD High Road clearance	RR	84
		FAMILIA/323	89/01~	BG	RL	84
B2198	TOYOTA	FAMILIA/323	89/06~94/08	BG5,BG6,BG8P 2WD Coupe High Road clearance	RL	84
		FAMILIA/323	90~94	BG3/5S/5P BG5/6/8P 2WD High Road clearance	RL	84
		FAMILIA/323	92/02~93/05	AT190	FR	154
B2199	TOYOTA	CORONA	92/02~96/01	AT190,ST190	FR	156
		CORONA/CARINA Σ	92/01~98/01	AT190,ST191(GX)	FR	157
		CORONA/CALDINA	92/11~02/05	ET196V 1500	FR	155
		CORONA/CALDINA	92/11~96/01	ET196(GAS)	FR	155
		CORONA/CALDINA	96/01~00/03	AT211,AT212	FR	156
		CORONA/CALDINA	92/02~93/05	AT190	FL	154
B2200	TOYOTA	CORONA/CARINA Σ	92/02~96/01	AT190,ST190	FL	156
		CORONA/CARINA Σ	92/01~98/01	AT190,ST191(GX)	FL	157
		CORONA/CALDINA	92/11~02/05	ET196V 1500	FL	155
		CORONA/CALDINA	92/11~96/01	ET196(GAS)	FL	155
		CORONA/CALDINA	96/01~00/03	AT211,AT212	FL	156
		CORONA	92/02~96/01	AT190,ST191,CT190 incl.ABS	RR	145
B2201	TOYOTA	CORONA	92/02~93/05	AT190	RR	154
		CORONA/CARINA Σ	92/02~96/01	AT190,ST191,CT190	RR	156
		CORONA/CARINA Σ	92/02~96/01	AT190,ST191,CT190 incl.ABS	RL	145
B2202	MAZDA	CORONA	92/02~93/05	AT190	RL	154
		CORONA/CARINA Σ	92/02~96/01	AT190,ST191,CT190	RL	156
		FAMILIA/323	97/06~99	BA11P3(High Floor)	FR	84
B2203	MAZDA	FAMILIA/323	97/06~99	BA11P3(High Floor)	FL	84
B2206	MAZDA	FAMILIA/323	97/06~99	BA11P3(High Floor)	RR	84
B2207	MAZDA	FAMILIA/323	97/06~99	BA11P3(High Floor)	RL	84
B2212	NISSAN	SUNNY/LAUREL SPIRIT	95~99	B14/N15(2WD)	FR	117
		SUNNY/LAUREL SPIRIT	95/01~97/07	AB14/AN15(2WD)	FR	117
		SUNNY/SENTRA/ALMERA	95/01~97/07	AB14,AN15(2WD)	FR	119
B2213	NISSAN	SUNNY/LAUREL SPIRIT	95~99	B14/N15(2WD)	FL	117
		SUNNY/LAUREL SPIRIT	95/01~97/07	AB14/AN15(2WD)	FL	117
		SUNNY/SENTRA/ALMERA	95/01~97/07	AB14,AN15(2WD)	FL	119
B2218	MITSUBISHI	LANCER/COLT/MIRAGE	91/08~96	CA#A,CB#A,CC#A,CD#A	FR	96
		LANCER/COLT/MIRAGE	91/08~96	CA#A,CB#A,CC#A,CD#A	FR	97
		LANCER/COLT/MIRAGE	91/08~96	CA#A,CB#A,CC#A,CD#A with High Ground,Clearance Sus.	FR	97
		LANCER ESTATE/RIBERO	92/04~00/05	CB#V/W	FR	96
		LANCER/LANCER CEDIA	92/08~	CB2A,CB4A	FR	98
		LANCER/COLT/MIRAGE	91/08~96	CA#A,CB#A,CC#A,CD#A	FL	96
B2219	MITSUBISHI	LANCER/COLT/MIRAGE	91/08~96	CA#A,CB#A,CC#A,CD#A	FL	97
		LANCER/COLT/MIRAGE	91/08~96	CA#A,CB#A,CC#A,CD#A	FL	97
		LANCER/COLT/MIRAGE	91/08~96	CA#A,CB#A,CC#A,CD#A with High Ground,Clearance Sus.	FL	97
		LANCER ESTATE/RIBERO	92/04~00/05	CB#V/W	FL	96
		LANCER/LANCER CEDIA	92/08~	CB2A,CB4A	FL	98
		LANCER/COLT/MIRAGE	91/08~96	CA#A,CB#A,CC#A,CD#A	FL	96
B2220	TOYOTA	LANCER/COLT/MIRAGE	91/08~96	CA#A,CB#A,CC#A,CD#A	FL	97
		LANCER/COLT/MIRAGE	91/08~96	CA#A,CB#A,CC#A,CD#A	FL	97
		LANCER/COLT/MIRAGE	91/08~96	CA#A,CB#A,CC#A,CD#A with High Ground,Clearance Sus.	FL	97
		LANCER ESTATE/RIBERO	92/04~00/05	CB#V/W	FL	96
		LANCER/LANCER CEDIA	92/08~	CB2A,CB4A	FL	98
		LANCER/COLT/MIRAGE	91/08~96	CA#A,CB#A,CC#A,CD#A	FL	96
B2221	MITSUBISHI	LANCER/COLT/MIRAGE	91/08~96	CA#A,CB#A,CC#A,CD#A	FL	97
		LANCER/COLT/MIRAGE	91/08~96	CA#A,CB#A,CC#A,CD#A	FL	97
		LANCER/COLT/MIRAGE	91/08~96	CA#A,CB#A,CC#A,CD#A with High Ground,Clearance Sus.	FL	97
		LANCER ESTATE/RIBERO	92/04~00/05	CB#V/W	FL	96
		LANCER/LANCER CEDIA	92/08~	CB2A,CB4A	FL	98
B2222	MITSUBISHI	LANCER/COLT/MIRAGE	91/08~96	CA#A,CB#A,CC#A,CD#A	FL	97
		LANCER/COLT/MIRAGE	91/08~96	CA#A,CB#A,CC#A,CD#A	FL	97
		LANCER/COLT/MIRAGE	91/08~96	CA#A,CB#A,CC#A,CD#A with High Ground,Clearance Sus.	FL	97
		LANCER ESTATE/RIBERO	92/04~00/05	CB#V/W	FL	96
		LANCER/LANCER CEDIA	92/08~	CB2A,CB4A	FL	98
B2227	MITSUBISHI	LANCER/COLT/MIRAGE	91/08~96	CA#A,CB#A,CC#A,CD#A	FL	97
		LANCER/COLT/MIRAGE	91/08~96	CA#A,CB#A,CC#A,CD#A	FL	97
		LANCER/COLT/MIRAGE	91/08~96	CA#A,CB#A,CC#A,CD#A with High Ground,Clearance Sus.	FL	97
		LANCER ESTATE/RIBERO	92/04~00/05	CB#V/W	FL	96
		LANCER/LANCER CEDIA	92/08~	CB2A,CB4A	FL	98
B2220	TOYOTA	YARIS/VITZ/ECHO/PLATZ	99/01~04/04	SCP10,SCP11,SCP12,NCP10, NCP12(2WD)	F	178
		YARIS VERSO/FUN CARGO	99/08~	NCP20(2WD)With Rear Disk Brake	F	177
		YARIS VERSO/FUN CARGO	99/08~05/09	NCP20(1300),NCP21(1500)	F	177
		VIOS/SOLUNA VIOS	02/12~	NCP42..ATM..15S	F	176
		VIOS/SOLUNA VIOS	02/12~	NCP4#..(13E,13STD,15E,15G, 15J),(PHL,TH,VN)	F	177
B2221	MITSUBISHI	VIOS	02/11~	NCP4#	F	176
		LANCER/COLT/MIRAGE	95/08~97/03	CJ#A,CK#A,CM#A	FR	97
		PROTON	95/12~	C96,C97	FR	128
		LANCER/COLT/MIRAGE	95/08~97/03	CJ#A,CK#A,CM#A	FL	97
		PROTON	95/12~	C96,C97	FL	128
B2227	MITSUBISHI	LANCER/COLT/MIRAGE	96/12~	CJ#A,CK#A,CM#A with High Ground Clearance Sus.	FR	97

STOCK NO.

O.E.M. NO.

KIT

B2000 SERIES

TOKICO NO.	MANUFACTURER	VEHICLE	YEAR	MAKE & MODEL	VEHICLE POSITION	REF PAGE
B2228	MITSUBISHI	LANCER/COLT/MIRAGE	96/12~	CJ#A,CK#A,CM#A with High Ground Clearance Sus.	FL	97
B2235	NISSAN	SUNNY/LAUREL SPIRIT	97/08~00/02	AB14/AN15/AR11(2WD)	FR	117
		SUNNY/SENTRA/ALMERA	97/08~00/02	AB14,AN15,AR11(2WD)	FR	120
B2236	NISSAN	SUNNY/LAUREL SPIRIT	97/08~00/02	AB14/AN15/AR11(2WD)	FL	117
		SUNNY/SENTRA/ALMERA	97/08~00/02	AB14,AN15,AR11(2WD)	FL	120
B2238	MAZDA	FAMILIA/323/323F/ASTINA/PROTEGE/FORD LASER	98/05~00/12	BJE/3/5Y 2WD SED/HB High road clearance	RR	85
		FAMILIA/323/323F/ASTINA/PROTEGE/FORD LASER	00/12~03	BJ2WD 1.3/1.6/1.8/2.0/2.0D SED/HB High road clearance	RR	85
B2239	MAZDA	FAMILIA/323/323F/ASTINA/PROTEGE/FORD LASER	98/05~00/12	BJE/3/5Y 2WD SED/HB High road clearance	RL	85
		FAMILIA/323/323F/ASTINA/PROTEGE/FORD LASER	00/12~03	BJ2WD 1.3/1.6/1.8/2.0/2.0D SED/HB High road clearance	RL	85
B2240	MAZDA	FAMILIA/323/323F/ASTINA/PROTEGE/FORD LASER	98/05~00/12	BJE/3/5P,2WD SED/HB	RR	85
		FAMILIA/323/323F/ASTINA/PROTEGE/FORD LASER	00/12~03	BJ2WD 1.3/1.6/1.8/2.0/2.0D SED/HB	RR	85
B2241	MAZDA	FAMILIA/323/323F/ASTINA/PROTEGE/FORD LASER	98/05~00/12	BJE/3/5P,2WD SED/HB	RL	85
		FAMILIA/323/323F/ASTINA/PROTEGE/FORD LASER	00/12~03	BJ2WD 1.3/1.6/1.8/2.0/2.0D SED/HB	RL	85
B2244	TOYOTA	RAUM	03/04~	NCZ25	F	172
		YARIS VERSO/FUN CARGO	99/08~00/01	NCP25 (1500 4WD)	F	177
		YARIS VERSO/FUN CARGO	00/01~05/09	NCP25 (1500 4WD)	F	177
B2245	NISSAN	SUNNY TRAVELLER/AD WAGON VAN/WINGROAD	99/05~04/04	Y11 4WD ABS Type only	FR	117
B2246	NISSAN	SUNNY TRAVELLER/AD WAGON VAN/WINGROAD	99/05~04/04	Y11 4WD ABS Type only	FL	117
B2247	NISSAN	SUNNY TRAVELLER/AD WAGON VAN/WINGROAD	99/05~04/04	Y11 2WD ABS Type only	FR	117
B2248	NISSAN	SUNNY TRAVELLER/AD WAGON VAN/WINGROAD	99/05~04/04	Y11 2WD ABS Type only	FL	117
B2257	SUZUKI	SWIFT	04/09~	DBA-ZC11S,ZC21S,ZC71S (2WD)	FR	137
B2258	SUZUKI	SWIFT	04/09~	DBA-ZC11S,ZC21S,ZC71S (2WD)	FL	137
B2259	SUZUKI	SWIFT	04/09~	DBA-ZD11S,ZD21S(4WD)	FR	137
B2260	SUZUKI	SWIFT	04/09~	DBA-ZD11S,ZD21S(4WD)	FL	137
B2263	NISSAN	SERENA	05/05~	C25(2000)2WD	FR	115
B2264	NISSAN	SERENA	05/05~	C25(2000)2WD	FL	115
B2265	NISSAN	SERENA	05/05~	NC25(2500)4WD	FR	115
B2266	NISSAN	SERENA	05/05~	NC25(2500)4WD	FL	115
B2267	TOYOTA	COROLLA/SPRINTER CARIB/SPACIO	97/05~00/08	AE114/115,CE114(4WD)	RR	150
		SPRINTER CARIB	97/05~00/08	AE114/AE115/CE114(4WD)	RR	173
B2268	TOYOTA	COROLLA/SPRINTER CARIB/SPACIO	97/05~00/08	AE114/115,CE114(4WD)	RL	150
		SPRINTER CARIB	97/05~00/08	AE114/AE115/CE114(4WD)	RL	173
B2273	NISSAN	LAFESTA	04/12~	B30(2WD)	FR	110
B2274	NISSAN	LAFESTA	04/12~	B30(2WD)	FL	110
B2275	NISSAN	LAFESTA	04/12~	NB30(4WD)	FR	110
B2276	NISSAN	LAFESTA	04/12~	NB30(4WD)	FL	110
B2282	MAZDA	DEMIO/MAZDA 2	07/07~	DE3FS,DE5FS	FR	83
B2283	MAZDA	DEMIO/MAZDA 2	07/07~	DE3FS,DE5FS	FL	83
B2286	HONDA	FIT/JAZZ	04~06	GD1/GD3 For Thailand	FR	67
B2287	HONDA	FIT/JAZZ	04~06	GD1/GD3 For Thailand	FL	67
B2288	HONDA	FIT/JAZZ	01/06~	GD1(1300) GD2(1300 4WD)	FR	67
		FIT/JAZZ	03/01~	GD2,4(1300,1500) china	FR	68
B2289	HONDA	FIT/JAZZ	01/06~	GD1(1300) GD2(1300 4WD)	FL	67
		FIT/JAZZ	03/01~	GD2,4(1300,1500) china	FL	68
B2290	HONDA	FIT/JAZZ	02/09~	GD1(1300) GD3(1500)	FR	67
B2291	HONDA	FIT/JAZZ	02/09~	GD1(1300) GD3(1500)	FL	67
B2292	HONDA	CITY	03~05	for THAILAND	FR	63
B2293	HONDA	CITY	03~05	for THAILAND	FL	63
B2294	TOYOTA	OPA	00/04~04/08	ZCT10	FR	171

STOCK NO.

O.E.M. NO.

KIT

B2000 SERIES

TOKICO NO.	MANUFACTURER	VEHICLE	YEAR	MAKE & MODEL	VEHICLE POSITION	REF PAGE
B2294	TOYOTA	OPA	04/08~05/04	ZCT10	FR	171
B2295	TOYOTA	OPA	00/04~04/08	ZCT10	FL	171
		OPA	04/08~05/04	ZCT10	FL	171
B2296	TOYOTA	RAUM	03/04~	NCZ20	F	172
B2297	TOYOTA	RAUM	03/04~	NCZ20 with alloy wheel	F	172
B2298	TOYOTA	bB/SCIONxB	00/01~05/12	NCP30,31,35	F	140
B2299	TOYOTA	COROLLA	00/08~	NZE121,SED/Station Wagon without Rough Road Package, Bult in Japan	FR	151
		COROLLA	01/10~	ZZE122;5DoorHB,ZZE122;SED Bult in Japan(For Australia)	FR	152
		COROLLA	04/04~	ZZE122 for Australia	FR	152
B2300	TOYOTA	COROLLA	00/08~	NZE121,SED/Station Wagon without Rough Road Package, Bult in Japan	FL	151
		COROLLA	01/10~	ZZE122;5DoorHB,ZZE122;SED Bult in Japan(For Australia)	FL	152
		COROLLA	04/04~	ZZE122 for Australia	FL	152

STOCK NO.

O.E.M. NO.

KIT

B3000 SERIES

TOKICO NO.	MANUFACTURER	VEHICLE	YEAR	MAKE & MODEL	VEHICLE POSITION	REF PAGE
●B3005 (A3005)	MAZDA	LUCE/RX-4/929	81/10~86/09	HBSHE(EG1),HBSN2(Rotary) HBES(EG1), HBSN2(Excl.12A Rotary Turbo LTD)	FR	86
		LUCE/RX-4/929	81/10~	HBPH8,HBPH8,HBPS2 (Diesel,Incl.),HBEJ,HBEP, HBPS2(Diesel),HBEP	FR	86
●B3006 (A3006)	MAZDA	LUCE/RX-4/929	81/10~86/09	HBSHE(EG1),HBSN2(Rotary) HBES(EG1), HBSN2(Excl.12A Rotary Turbo LTD)	FL	86
		LUCE/RX-4/929	81/10~	HBPH8,HBPH8,HBPS2 (Diesel,Incl.),HBEJ,HBEP, HBPS2(Diesel),HBEP	FL	86
●B3012 (A3012)	MITSUBISHI	GALANT/MAGNA/SIGMA	83/08~87	E13,E14,E15,E17	F	95
		GALANT SIGMA ETERNA	83/08~87	E15 ALL,E17 Excl.Air sus	F	94
●B3015	TOYOTA	CARINA(FF)	85/08~87/08	AT160,ST162	RR	145
		CARINA ED	85/08~87/08	ST160,ST162	RR	144
		CELICA	85/08~87/08	AT160,ST160,ST162	RR	146
		CORONA(FF)	85/08~87/08	ST160,ST162	RR	154
		CORONA(FF)COUPE	85/08~87/08	AT160,ST160,ST162	RR	155
●B3016	TOYOTA	CARINA(FF)	85/08~87/08	AT160,ST162	RL	145
		CARINA ED	85/08~87/08	ST160,ST162	RL	144
		CELICA	85/08~87/08	AT160,ST160,ST162	RL	146
		CORONA(FF)	85/08~87/08	ST160,ST162	RL	154
		CORONA(FF)COUPE	85/08~87/08	AT160,ST160,ST162	RL	155
B3031	MAZDA	CAPELLA/626/FORD TELSTAR/MX-6/CRONOS	88~92	GD6/88/E/F,BT21 2WD	FR	82
B3032	MAZDA	CAPELLA/626/FORD TELSTAR/MX-6/CRONOS	88~92	GD6/88/E/F,BT21 2WD	FL	82
●B3039 (A3039)	NISSAN	BLUEBIRD	83/10~86/10	U11(Wagon)	FR	105
●B3040 (A3040)	NISSAN	BLUEBIRD	83/10~86/10	U11(Wagon)	FL	105
B3043	TOYOTA	CARINA(FF)	87/08~87/12	AT160,ST162	RR	145
		CARINA(FF)	87/12~88/04	AT160,ST162	RR	145
		CARINA ED	87/08~89/08	ST160,162,163,ST162	RR	144
		CELICA	87/08~89/09	AT160,ST160,ST162	RR	146
		CELICA	87/10~89/09	ST165(4WD)	RR	146
		CORONA	87/08~87/11	ST160	RR	154
		CORONA	87/08~87/11	ST162	RR	154
		CORONA(FF)COUPE	87/08~92/03	ST160	RR	155
		CORONA(FF)COUPE	87/08~92/03	ST162(VX)	RR	155
		CORONA(FF)COUPE	87/08~92/03	ST162(GT)	RR	155
		CORONA(FF)COUPE	87/08~92/03	ST163	RR	155
B3044	TOYOTA	CARINA(FF)	87/08~87/12	AT160,ST162	RL	145
		CARINA(FF)	87/12~88/04	AT160,ST162	RL	145
		CARINA ED	87/08~89/08	ST160,162,163,ST162	RL	144
		CELICA	87/08~89/09	AT160,ST160,ST162	RL	146
		CELICA	87/10~89/09	ST165(4WD)	RL	146
		CORONA	87/08~87/11	ST160	RL	154
		CORONA	87/08~87/11	ST162	RL	154
		CORONA(FF)COUPE	87/08~92/03	ST160	RL	155
		CORONA(FF)COUPE	87/08~92/03	ST162(VX)	RL	155
		CORONA(FF)COUPE	87/08~92/03	ST162(GT)	RL	155
		CORONA(FF)COUPE	87/08~92/03	ST163	RL	155
B3049	TOYOTA	CARINA(FF)	88/05~	AT171(G LIMITED)	RR	145
		CORONA	87/12~92/03	ST171(Excl.TEMS TYPE)	RR	154
B3050	TOYOTA	CARINA(FF)	88/05~	AT171(G LIMITED)	RL	145
		CORONA	87/12~92/03	ST171(Excl.TEMS TYPE)	RL	154
●B3064 (A3064)	NISSAN	PULSAR/LANGLEY/LIBERTA VILLA/EXA	90/10~94/12	N14(1400,2000 DIESEL)(2WD)	RR	114
		PULSAR/LANGLEY/LIBERTA VILLA/EXA	90/10~94/12	NB13/NN14(4WD Excl Gti-R)	RR	114
●B3065 (A3065)	NISSAN	PULSAR/LANGLEY/LIBERTA VILLA/EXA	90/10~94/12	N14(1400,2000 DIESEL)(2WD)	RL	114
		PULSAR/LANGLEY/LIBERTA VILLA/EXA	90/10~94/12	NB13/NN14(4WD Excl Gti-R)	RL	114
B3066	MAZDA	CAPELLA/626/FORD TELSTAR/MX-6/CRONOS	88~92	GD6/88/E/F,BT21 2WD	R	82
B3078	MAZDA	MIATA/PROBE/MX-5/ROADSTER	91/10~94/07		FR	88
B3079	MAZDA	MIATA/PROBE/MX-5/ROADSTER	91/10~94/07		FL	88
B3080	MAZDA	MIATA/PROBE/MX-5/ROADSTER	91/10~94/07		R	88
B3086	SUZUKI	ESCUDO/VITARA/SE416/SV420/SV620/X90/SQ416/SQ420/SQ425	89~95	TA01,02,TD01,02	FR	136
B3087	SUZUKI	ESCUDO/VITARA/SE416/SV420/SV620/X90/SQ416/SQ420/SQ425	89~95	TA01,02,TD01,02	FL	136

STOCK NO.

O.E.M NO.

KIT

B3000 SERIES

TOKICO NO.	MANUFACTURER	VEHICLE	YEAR	MAKE & MODEL	VEHICLE POSITION	REF PAGE
B3088	TOYOTA	COROLLA LEVIN & SPRINTER TRUENO	87/05~	AE91(Zi,Xi) STRUT ASSY TYPE	FR	149
		COROLLA LEVIN & SPRINTER TRUENO	87/05~	AE91(Excl.Zi,Xi) STRUT ASSY TYPE,	FR	149
		COROLLA LEVIN & SPRINTER TRUENO	87/05~	AE91(Excl.Zi,Xi) STRUT ASSY TYPE,	FR	149
		COROLLA LEVIN & SPRINTER TRUENO	87/05~	AE92(GTV,GT-Z) STRUT ASSY TYPE	FR	149
		COROLLA LEVIN & SPRINTER TRUENO	88/05~89/05	AE91(XI,ZI),AE92(GT) STRUT ASSY TYPE	FR	150
		COROLLA LEVIN & SPRINTER TRUENO	87/05~91/06	AE91(L) STRUT ASSY TYPE	FR	150
		COROLLA LEVIN & SPRINTER TRUENO	89/05~91/06	AE92(GT-Z) STRUT ASSY TYPE	FR	150
		COROLLA LEVIN & SPRINTER TRUENO	89/05~91/06	AE91(XS,ZS,G) STRUT ASSY TYPE	FR	150
		COROLLA/SPRINTER	87/05~92/05	AE91(FXZi,Xi) STRUT ASSY TYPE	FR	148
		COROLLA/SPRINTER	87/05~	AE91(Excl.FXZi,Xi) STRUT ASSY TYPE	FR	148
		COROLLA/SPRINTER	87/05~	AE92(Excl.TEMS TYPE) STRUT ASSY TYPE	FR	148
		COROLLA/SPRINTER	87/05~	AE92 STRUT ASSY TYPE	FR	148
		COROLLA/SPRINTER	87/05~92/05	CE90 STRUT ASSY TYPE	FR	148
		COROLLA/SPRINTER	87/05~	EE90 STRUT ASSY TYPE	FR	148
		COROLLA/SPRINTER	87/08~92/05	AE91G(Wagon) STRUT ASSY TYPE	FR	148
		COROLLA/SPRINTER	87/08~	CE96V(Van) STRUT ASSY TYPE	FR	148
		B3089	TOYOTA	COROLLA LEVIN & SPRINTER TRUENO	87/05~	AE91(Zi,Xi) STRUT ASSY TYPE
COROLLA LEVIN & SPRINTER TRUENO	87/05~			AE91(Excl.Zi,Xi) STRUT ASSY TYPE,	FL	149
COROLLA LEVIN & SPRINTER TRUENO	87/05~			AE91(Excl.Zi,Xi) STRUT ASSY TYPE,	FL	149
COROLLA LEVIN & SPRINTER TRUENO	87/05~			AE92(GTV,GT-Z) STRUT ASSY TYPE	FL	149
COROLLA LEVIN & SPRINTER TRUENO	88/05~89/05			AE91(XI,ZI),AE92(GT) STRUT ASSY TYPE	FL	150
COROLLA LEVIN & SPRINTER TRUENO	87/05~91/06			AE91(L) STRUT ASSY TYPE	FL	150
COROLLA LEVIN & SPRINTER TRUENO	89/05~91/06			AE92(GT-Z) STRUT ASSY TYPE	FL	150
COROLLA LEVIN & SPRINTER TRUENO	89/05~91/06			AE91(XS,ZS,G) STRUT ASSY TYPE	FL	150
COROLLA/SPRINTER	87/05~92/05			AE91(FXZi,Xi) STRUT ASSY TYPE	FL	148
COROLLA/SPRINTER	87/05~			AE91(Excl.FXZi,Xi) STRUT ASSY TYPE	FL	148
COROLLA/SPRINTER	87/05~			AE92(Excl.TEMS TYPE) STRUT ASSY TYPE	FL	148
COROLLA/SPRINTER	87/05~			AE92 STRUT ASSY TYPE	FL	148
COROLLA/SPRINTER	87/05~92/05			CE90 STRUT ASSY TYPE	FL	148
COROLLA/SPRINTER	87/05~			EE90 STRUT ASSY TYPE	FL	148
COROLLA/SPRINTER	87/08~92/05			AE91G(Wagon) STRUT ASSY TYPE	FL	148
COROLLA/SPRINTER	87/08~			CE96V(Van) STRUT ASSY TYPE	FL	148
B3090	TOYOTA			COROLLA/SPRINTER	91/06~97/04	AE101,CE100,AE101GT
		COROLLA/SPRINTER	91/06~97/04	AE100,EE101	FR	149
		COROLLA/SPRINTER	91/06~00/08	CE106,108,EE106(LPG VAN), EE107,EE108,2WD WAGON,VAN	FR	149
		COROLLA/SPRINTER	97/08~00/08	EE111,AE111/2	FR	149
		COROLLA/SPRINTER	95/05~00/06	EE110/111,AE110/111	FR	149
		COROLLA/SPRINTER	97/05~00/08	EE111,AE111/112	FR	149
		COROLLA/SPRINTER CARIB/SPACIO	97/05~00/08	AE111,CE110,CE111	FR	150
B3091	TOYOTA	COROLLA/SPRINTER	91/06~97/04	AE101,CE100,AE101GT	FL	149
		COROLLA/SPRINTER	91/06~97/04	AE100,EE101	FL	149
		COROLLA/SPRINTER	91/06~00/08	CE106,108,EE106(LPG VAN), EE107,EE108,2WD WAGON,VAN	FL	149
		COROLLA/SPRINTER	97/08~00/08	EE111,AE111/2	FL	149
		COROLLA/SPRINTER	95/05~00/06	EE110/111,AE110/111	FL	149
		COROLLA/SPRINTER	97/05~00/08	EE111,AE111/112	FL	149
		COROLLA/SPRINTER CARIB/SPACIO	97/05~00/08	AE111,CE110,CE111	FL	150
B3102	NISSAN	CEFIRO/MAXIMA/810/INFINITY 130	94/08~98/12	A32	FR	107
B3103	NISSAN	CEFIRO/MAXIMA/810/INFINITY 130	94/08~98/12	A32	FL	107
B3141	MAZDA	MIATA/PROBE/MX-5/ROADSTER	92/09~96/01	CT20	FR	88
B3142	MAZDA	MIATA/PROBE/MX-5/ROADSTER	92/09~96/01	CT20	FL	88
B3145	TOYOTA	CORONA	92~96/01	AT190,ST191,CT190	RR	154
		CORONA/CARINA Σ	92/02~96/01	AT190,ST191,CT190	RR	157
		CORONA/CARINA Σ	96/01~00/03	CT210,ST210	RR	157
		CORONA/CALDINA	96/01~00/03	CT210,ST210	RR	156
B3146	TOYOTA	CORONA	92~96/01	AT190,ST191,CT190	RL	154
		CORONA/CARINA Σ	92/02~96/01	AT190,ST191,CT190	RL	157

STOCK NO.

O.E.M. NO.

KIT

B3000 SERIES

TOKICO NO.	MANUFACTURER	VEHICLE	YEAR	MAKE & MODEL	VEHICLE POSITION	REF PAGE	
B3146	TOYOTA	CORONA/CARINA Σ CORONA/CALDINA	96/01~00/03	CT210,ST210	RL	157	
			96/01~00/03	CT210,ST210	RL	156	
B3147	TOYOTA	CELICA CORONA	89/09~93/09	AT180,ST182,ST183	RR	146	
			91/09~93/09	ST182	RR	154	
B3148	TOYOTA	CELICA CORONA	89/09~93/09	AT180,ST182,ST183	RL	146	
			91/09~93/09	ST182	RL	154	
B3149	MAZDA	CAPELLA/626/FORD TELSTAR/MX-6/CRONOS EUNOS500/XEDOS6	91/09~97/05	GE74F(2.5-2WD-4WS)	FR	82	
			92/06~99	CAEP,CAPP,CA8P(1.8/2.4 4D SED)	FR	83	
B3150	MAZDA	CAPELLA/626/FORD TELSTAR/MX-6/CRONOS EUNOS500/XEDOS6	91/09~97/05	GE74F(2.5-2WD-4WS)	FL	82	
			92/06~99	CAEP,CAPP,CA8P(1.8/2.4 4D SED)	FL	83	
B3161	TOYOTA	CORONA CORONA/CARINA Σ CORONA/CARINA Σ	92/02~96/01	AT190,ST191,CT190	RR	154	
			92/02~96/01	AT190,ST190,CT190	RR	156	
			96/02~98/05	ST191,CT190 2.0/2.0Diesel SED/LB:5DoorHB with Harsh Road Package STRUT ASSY TYPE	RR	157	
		92/11~96/01	ST191 2.0 StationWagon	RR	157		
		CORONA/CARINA Σ CORONA/CARINA Σ	96/01~97/10	AT190,ST191,CT190 SED made in U.K.	RR	157	
B3162	TOYOTA	CORONA CORONA/CARINA Σ CORONA/CARINA Σ	92/02~96/01	AT190,ST191,CT190	RL	154	
			92/02~96/01	AT190,ST190,CT190	RL	156	
			96/02~98/05	ST191,CT190 2.0/2.0Diesel SED/LB:5DoorHB with Harsh Road Package STRUT ASSY TYPE	RL	157	
		92/11~96/01	ST191 2.0 StationWagon	RL	157		
		CORONA/CARINA Σ CORONA/CARINA Σ	96/01~97/10	AT190,ST191,CT190 SED made in U.K.	RL	157	
B3173	NISSAN	PRIMERA	90/06~96	P10	RR	113	
B3174	NISSAN	PRIMERA	90/06~96	P10	RL	113	
B3181	TOYOTA	CAMRY (FF)/VISTA(FF) CAMRY (FF)/VISTA(FF) CAMRY/CAMRY GRACIA	94/06~98/06	SV40,SV41,SV42,CV40	RR	141	
			99~02	SXV20	RR	141	
			97~	MCV21/21W,SXV20/20W (USA Built)	RR	142	
		91/06~94/08	SXV10,VCV10	RR	143		
		94/08~96/08	SXV10,VCV10	RR	143		
		CAMRY/AVALON/SCEPTER/VIENTA/LEXUS ES300(WINDOW) CAMRY/AVALON/SCEPTER/VIENTA/LEXUS ES300(WINDOW) CAMRY/AVALON/SCEPTER/VIENTA/LEXUS ES300(WINDOW)	96/08~01/08	MCV20/21,SXV20 3000/2200,Sedan 2WD	RR	143	
		CAMRY/AVALON/SCEPTER/VIENTA/LEXUS ES300(WINDOW)	00/04~03/09	MCX10 3600 V6 Sedan	RR	143	
B3182	TOYOTA	CAMRY (FF)/VISTA(FF) CAMRY (FF)/VISTA(FF) CAMRY/CAMRY GRACIA	94/06~98/06	SV40,SV41,SV42,CV40	RL	141	
			99~02	SXV20	RL	141	
			97~	MCV21/21W,SXV20/20W (USA Built)	RL	142	
		91/06~94/08	SXV10,VCV10	RL	143		
		94/08~96/08	SXV10,VCV10	RL	143		
		CAMRY/AVALON/SCEPTER/VIENTA/LEXUS ES300(WINDOW) CAMRY/AVALON/SCEPTER/VIENTA/LEXUS ES300(WINDOW) CAMRY/AVALON/SCEPTER/VIENTA/LEXUS ES300(WINDOW)	96/08~01/08	MCV20/21,SXV20 3000/2200,Sedan 2WD	RL	143	
		CAMRY/AVALON/SCEPTER/VIENTA/LEXUS ES300(WINDOW)	00/04~03/09	MCX10 3600 V6 Sedan	RL	143	
B3184	TOYOTA	CAMRY (FF)/VISTA(FF) CAMRY/CAMRY GRACIA	99~02	SXV20	FR	141	
			97~	MCV21/21W,SXV20/20W (USA Built)	FR	142	
			CAMRY/AVALON/SCEPTER/VIENTA/LEXUS ES300(WINDOW)	96/08~01/08	MCV20/21,SXV20 3000/2200,Sedan 2WD	FR	143
			CAMRY/AVALON/SCEPTER/VIENTA/LEXUS ES300(WINDOW)	00/04~03/09	MCX10 3600 V6 Sedan	FR	143
B3185	TOYOTA	CAMRY (FF)/VISTA(FF) CAMRY/CAMRY GRACIA	99~02	SXV20	FL	141	
			97~	MCV21/21W,SXV20/20W (USA Built)	FL	142	
			CAMRY/AVALON/SCEPTER/VIENTA/LEXUS ES300(WINDOW)	96/08~01/08	MCV20/21,SXV20 3000/2200,Sedan 2WD	FL	143
			CAMRY/AVALON/SCEPTER/VIENTA/LEXUS ES300(WINDOW)	00/04~03/09	MCX10 3600 V6 Sedan	FL	143
B3192	MITSUBISHI	LANCER MIRAGE HATCHBACK LANCER MIRAGE HATCHBACK LANCER MIRAGE HATCHBACK	87/09~92	C51A,C52A,C52A(SWIFT), C53A(TURBO),C54A,C58A,C61A, C62A,C63A,C64A,C65A,C68A	F	96	
			88/05~88/11	C5#A,C6#A	F	96	
			88/04~92	C5#A,C6#A	F	96	

STOCK NO.

O.E.M NO.

KIT

B3000 SERIES

TOKICO NO.	MANUFACTURER	VEHICLE	YEAR	MAKE & MODEL	VEHICLE POSITION	REF PAGE
B3192	MITSUBISHI	MIRAGE HATCHBACK	87/09~92	C51A,C52A,C52A(SWIFT),C53A (TURBO),C54A,C58A,C61A,C62A,C63A,C64A,C65A,C68A	F	99
		MIRAGE SEDAN	87/12~92	C61A,C62A,C64A	F	99
		MIRAGE SEDAN	87/12~92	C63A	F	99
B3196	MAZDA	CAPELLA/626/FORD TELSTAR/MX-6/CRONOS	97/05~02/05	GF1 High Road clearance	RR	82
		CAPELLA/626/FORD TELSTAR/MX-6/CRONOS	97/05~02/05	GF1(1800,2000,200HP,2000TD, 2500), 4SD/5HD NORMAL SUS	RR	83
		MILLENIUUM/NEW MILLENIUUM/626	'98/05~	2000 COLOMBIA	RR	88
B3197	MAZDA	CAPELLA/626/FORD TELSTAR/MX-6/CRONOS	97/05~02/05	GF1 High Road clearance	RL	82
		CAPELLA/626/FORD TELSTAR/MX-6/CRONOS	97/05~02/05	GF1(1800,2000,200HP,2000TD, 2500), 4SD/5HD NORMAL SUS	RL	83
		MILLENIUUM/NEW MILLENIUUM/626	'98/05~	2000 COLOMBIA	RL	88
B3198	MAZDA	FAMILIA/323	94/09~	CBAEP Chassis NO~151007	FR	84
		FAMILIA/323/ASTINA/LANTIS/LIATA	94/09~95	CBAEP,CBA8P 1.8,2.0 V6 MUTOR chassis NO.~151007	FR	85
B3199	MAZDA	FAMILIA/323	94/09~	CBAEP Chassis NO~151007	FL	84
		FAMILIA/323/ASTINA/LANTIS/LIATA	94/09~95	CBAEP,CBA8P 1.8,2.0 V6 MUTOR chassis NO.~151007	FL	85
B3200	MAZDA	MPV/MAZDA 8	02/03~	LW(2300/2000DITD)	FR	88
B3201	MAZDA	MPV/MAZDA 8	02/03~	LW(2300/2000DITD)	FL	88
B3202	MAZDA	FAMILIA/323	95~98	CBAEP,CBA8P 1.8,2.0	FR	84
		FAMILIA/323/ASTINA/LANTIS/LIATA	94/09~98	CBAEP,CBA8P(1.8,2.0 V6 MOTOR)	FR	85
B3203	MAZDA	FAMILIA/323	95~98	CBAEP,CBA8P 1.8,2.0	FL	84
		FAMILIA/323/ASTINA/LANTIS/LIATA	94/09~98	CBAEP,CBA8P(1.8,2.0 V6 MOTOR)	FL	85
B3204	HONDA	CIVIC	01~02	EU1.3.7/EP1.2/EM2 ES1.3 ,EU1,EU3,EU7,EM2,EP1, EP2,ES1,ES3	FR	64
		CIVIC	03~05	Si 3 (2000) 3Door	FR	64
B3205	HONDA	CIVIC	01~02	EU1.3.7/EP1.2/EM2 ES1.3 ,EU1,EU3,EU7,EM2,EP1, EP2,ES1,ES3	FL	64
		CIVIC	03~05	Si 3 (2000) 3Door	FL	64
B3212	TOYOTA	CAMRY (FF)/VISTA(FF)	02/04~06/07	ACV30 (excluding USA built)	FR	141
B3213	TOYOTA	CAMRY (FF)/VISTA(FF)	02/04~06/07	ACV30 (excluding USA built)	FL	141
B3214	TOYOTA	CAMRY (FF)/VISTA(FF)	02/04~06/07	ACV30 (excluding USA built)	RR	141
B3215	TOYOTA	CAMRY (FF)/VISTA(FF)	02/04~06/07	ACV30 (excluding USA built)	RL	141
B3216	MAZDA	FAMILIA/323	95~98	CBAEP,CBA8P 1.8,2.0	RR	84
		FAMILIA/323/ASTINA/LANTIS/LIATA	94/09~98	CBAEP,CBA8P(1.8,2.0 V6 MOTOR)	RR	85
B3217	MAZDA	FAMILIA/323	95~98	CBAEP,CBA8P 1.8,2.0	RL	84
		FAMILIA/323/ASTINA/LANTIS/LIATA	94/09~98	CBAEP,CBA8P(1.8,2.0 V6 MOTOR)	RL	85
B3220	NISSAN	X-TRAIL	00/10~05	T30	FR	121
B3221	NISSAN	X-TRAIL	00/10~05	T30	FL	121
B3222	NISSAN	X-TRAIL	00/10~05	T30	RR	121
B3223	NISSAN	X-TRAIL	00/10~05	T30	RL	121
B3224	TOYOTA	CORONA	92~96/01	AT190,ST191,CT190	FR	154
		CORONA/CARINA Σ	92/02~96/01	AT190,ST190,CT190	FR	156
		CORONA/CARINA Σ	92/02~96/01	AT190,ST191,CT190	FR	157
		CORONA/CARINA Σ	96/02~98/05	ST191,CT190 2.0/2.0Diesel SED/LB:5DoorHB with Harsh Road Package STRUT ASSY TYPE	FR	157
		CORONA/CARINA Σ	92/11~96/01	ST191 2.0 StationWagon	FR	157
		CORONA/CARINA Σ	96/01~97/10	AT190,ST191,CT190 SED made in U.K.	FR	157
		CORONA/CARINA Σ	96/01~00/03	CT210,ST210	FR	157
		CORONA/CALDINA	96/01~98/05	CT196V 2000 DIESEL	FR	155
		CORONA/CALDINA	98/05~	CT197V 2200 DIESEL	FR	155
CORONA/CALDINA	96/01~00/03	CT210,ST210	FR	156		

STOCK NO.

O.E.M NO.

KIT

B3000 SERIES

TOKICO NO.	MANUFACTURER	VEHICLE	YEAR	MAKE & MODEL	VEHICLE POSITION	REF PAGE
B3224	TOYOTA	CORONA/CALDINA	99/12~02/09	ST215G/W(2.0/2.0Turbo 4WD GT/GTT) STRUT ASSY TYPE	FR	156
B3225	TOYOTA	CORONA	92~96/01	AT190,ST191,CT190	FL	154
		CORONA/CARINA Σ	92/02~96/01	AT190,ST190,CT190	FL	156
		CORONA/CARINA Σ	92/02~96/01	AT190,ST191,CT190	FL	157
		CORONA/CARINA Σ	96/02~98/05	ST191,CT190 2.0/2.0Diesel SED/LB:5DoorHB with Harsh Road Package STRUT ASSY TYPE	FL	157
		CORONA/CARINA Σ	92/11~96/01	ST191 2.0 StationWagon	FL	157
		CORONA/CARINA Σ	96/01~97/10	AT190,ST191,CT190 SED made in U.K.	FL	157
		CORONA/CARINA Σ	96/01~00/03	CT210,ST210	FL	157
		CORONA/CALDINA	96/01~98/05	CT196V 2000 DIESEL	FL	155
		CORONA/CALDINA	98/05~	CT197V 2200 DIESEL	FL	155
		CORONA/CALDINA	96/01~00/03	CT210,ST210	FL	156
B3226	TOYOTA	CORONA/CALDINA	92/11~98/07	CT198V 2000 DIESEL	FR	155
		CORONA/CALDINA	98/07~	ST198 2000 4WD	FR	155
		CORONA/CALDINA	98/01~	CT199 2200 DIESEL 4WD	FR	155
		CORONA/CALDINA	93/05~96/01	ST195(4WD),CT195(Diesel 4WD)	FR	156
		CORONA/CALDINA	96/01~02/09	CT216,ST215(4WD),Excl GT/GTT	FR	156
		CORONA/CALDINA	97/08~98/12	ST215 G/W(4WD GT/GTT)	FR	156
B3227	TOYOTA	CORONA/CALDINA	92/11~98/07	CT198V 2000 DIESEL	FL	155
		CORONA/CALDINA	98/07~	ST198 2000 4WD	FL	155
		CORONA/CALDINA	98/01~	CT199 2200 DIESEL 4WD	FL	155
		CORONA/CALDINA	93/05~96/01	ST195(4WD),CT195(Diesel 4WD)	FL	156
		CORONA/CALDINA	96/01~02/09	CT216,ST215(4WD),Excl GT/GTT	FL	156
		CORONA/CALDINA	97/08~98/12	ST215 G/W(4WD GT/GTT)	FL	156
B3228	NISSAN	CEFIRO/MAXIMA/810/INFINITY 130	98/12~01/01	A33(Include North America)	FR	108
B3229	NISSAN	CEFIRO/MAXIMA/810/INFINITY 130	98/12~01/01	A33(Include North America)	FL	108
B3230	NISSAN	CEFIRO/MAXIMA/810/INFINITY 130	00/07~02/12	A33(Include North America)	FR	108
B3231	NISSAN	CEFIRO/MAXIMA/810/INFINITY 130	00/07~02/12	A33(Include North America)	FL	108
B3232	TOYOTA	COROLLA/ALTIS(ASIA/INDIA)	01/05~	ZZE121(1600),ZZE122(1800) Indonesia,Thailand(For SED)	FR	150
		COROLLA/ALTIS(ASIA/INDIA)	01/07~	NZE121/124,ZZE123/124, CE121,Philippine,Vietnam (For SED)	FR	150
		COROLLA/ALTIS(ASIA/INDIA)	01/07~	NZE120,ZZE12#.For Philippine, Vietnam	FR	151
		COROLLA	00/08~02/09	ZZE121,CE120,SED/Station Wagon with ABS,without Rough Road Package,Built in Japan	FR	151
		COROLLA	02/09~	NZE120,NZE121..LX,ZZE121/ 122,CE120 SED/Station Wagon without Rough Road Package, Bult in Japan,Excl Philippine & Vietnam	FR	151
		COROLLA	00/08~	NZE120,NZE121..LX,ZZE121/ 122 SED/Station Wagon with Rough Road Package,Bult in Japan,Excl Philippine & Vietnam	FR	151
B3233	TOYOTA	COROLLA/ALTIS(ASIA/INDIA)	01/05~	ZZE121(1600),ZZE122(1800) Indonesia,Thailand(For SED)	FL	150
		COROLLA/ALTIS(ASIA/INDIA)	01/07~	NZE121/124,ZZE123/124, CE121,Philippine,Vietnam (For SED)	FL	150
		COROLLA/ALTIS(ASIA/INDIA)	01/07~	NZE120,ZZE12#.For Philippine, Vietnam	FL	151

STOCK NO.

O.E.M. NO.

KIT

B3000 SERIES

TOKICO NO.	MANUFACTURER	VEHICLE	YEAR	MAKE & MODEL	VEHICLE POSITION	REF PAGE
B3233	TOYOTA	COROLLA	00/08~02/09	ZZE121,CE120,SED/Station Wagon with ABS,without Rough Road Package,Built in Japan	FL	151
		COROLLA	02/09~	NZE120,NZE121..LX,ZZE121/122,CE120 SED/Station Wagon without Rough Road Package, Built in Japan,Excl Philippine & Vietnam	FL	151
		COROLLA	00/08~	NZE120,NZE121..LX,ZZE121/122 SED/Station Wagon with Rough Road Package,Built in Japan,Excl Philippine & Vietnam	FL	151
		PREMIO/ALLION	01/12~	AZT240(2WD)2000L VVT-I for Right Hand Vehicle	FL	171
B3235	NISSAN	PRESAGE/BASSARA	98/06~03/05	All 2WD U30/HU30/TU30 ABS type	FR	113
		PRESAGE/BASSARA	98/06~03/05	All 4WD ND30/TNU30/UNU30 ABS type	FR	113
B3236	NISSAN	PRESAGE/BASSARA	98/06~03/05	All 2WD U30/HU30/TU30 ABS type	FL	113
		PRESAGE/BASSARA	98/06~03/05	All 4WD ND30/TNU30/UNU30 ABS type	FL	113
B3239	TOYOTA	YARIS/VITZ	06/02~	NCP91 FOR Asia	FR	177
B3240	TOYOTA	YARIS/VITZ	06/02~	NCP91 FOR Asia	FL	177
B3241	MAZDA	MPV/MAZDA 8	99/08~	LW(2000,2500)4WD,2WD	FR	88
B3242	MAZDA	MPV/MAZDA 8	99/08~	LW(2000,2500)4WD,2WD	FL	88
B3245	TOYOTA	RAV-4	05/11~	ACA 3#	FR	173
		RAV-4	07/06~	ACA3#, GSA3#	FR	173
B3246	TOYOTA	RAV-4	05/11~	ACA 3#	FL	173
		RAV-4	07/06~	ACA3#, GSA3#	FL	173
B3247	MAZDA	TRIBUTE/FORD ESCAPE/FORD MAVERICK	00/11~05/10	EPEW,EPFW(LX)	FR	89
B3248	MAZDA	TRIBUTE/FORD ESCAPE/FORD MAVERICK	00/11~05/10	EPEW,EPFW(LX)	FL	89
B3249	MAZDA	TRIBUTE/FORD ESCAPE/FORD MAVERICK	00/11~05/10	EPFW	FR	89
		TRIBUTE/FORD ESCAPE/FORD MAVERICK	00/11~05/10	EP3W,EPFW(4WD)	FR	89
B3250	MAZDA	TRIBUTE/FORD ESCAPE/FORD MAVERICK	00/11~05/10	EPFW	FL	89
		TRIBUTE/FORD ESCAPE/FORD MAVERICK	00/11~05/10	EP3W,EPFW(4WD)	FL	89
B3251	TOYOTA	CAMRY (FF)/VISTA(FF)	06~	XV40(COMFORT) (excluding USA built)	FR	141
B3252	TOYOTA	CAMRY (FF)/VISTA(FF)	06~	XV40(COMFORT) (excluding USA built)	FL	141
B3253	TOYOTA	CAMRY (FF)/VISTA(FF)	06~	XV40(COMFORT) (excluding USA built)	RR	141
B3254	TOYOTA	CAMRY (FF)/VISTA(FF)	06~	XV40(COMFORT) (excluding USA built)	RL	141
B3255	TOYOTA	CAMRY (FF)/VISTA(FF)	06~	XV40(SPORT) (excluding USA built)	FR	141
B3256	TOYOTA	CAMRY (FF)/VISTA(FF)	06~	XV40(SPORT) (excluding USA built)	FL	141
B3257	TOYOTA	CAMRY (FF)/VISTA(FF)	06~	XV40(SPORT) (excluding USA built)	RR	141
B3258	TOYOTA	CAMRY (FF)/VISTA(FF)	06~	XV40(SPORT) (excluding USA built)	RL	141
B3259	TOYOTA	HARRIER/LEXUS(RX300/RX330)	03/02~	ACU25W(2400) ACU35W(2400) GSU30W(3000) MCU30W(3000) MCU35W(3000) MHU38W(3300) GSU35W(3500)	FR	162
		HIGHLANDER/KLUGER	02~	without Air Suspension MCU##3.0L,ACU##2.4L(FWD/AWD)for USA	FR	164
		HIGHLANDER/KLUGER	01~03	MCU##3.0L,ACU##2.4L(FWD/AWD)for USA	FR	164
		HIGHLANDER/KLUGER	04~	ACU##2.4L(FWD/AWD)for USA	FR	164

STOCK NO.

O.E.M NO.

KIT

B3000 SERIES

TOKICO NO.	MANUFACTURER	VEHICLE	YEAR	MAKE & MODEL	VEHICLE POSITION	REF PAGE
B3260	TOYOTA	HARRIER/LEXUS(RX300/RX330)	03/02~	ACU25W(2400) ACU35W(2400) GSU30W(3000) MCU30W(3000) MCU35W(3000) MHU38W(3300) GSU35W(3500) without Air Suspension	FL	162
		HIGHLANDER/KLUGER	02~	MCU##3.0L,ACU##2.4L(FWD/AWD)for USA	FL	164
		HIGHLANDER/KLUGER	01~03	MCU##3.0L,ACU##2.4L(FWD/AWD)for USA	FL	164
		HIGHLANDER/KLUGER	04~	ACU##2.4L(FWD/AWD)for USA	FL	164
B3261	MAZDA	MPV/MAZDA 8	05/12~	LY3P(2300)	FR	88
		MPV/MAZDA 8	05/12~	LY3P(2300)2WD&4WD DSC Type	FR	88
B3262	MAZDA	MPV/MAZDA 8	05/12~	LY3P(2300)	FL	88
		MPV/MAZDA 8	05/12~	LY3P(2300)2WD&4WD DSC Type	FL	88
B3263	MAZDA	CX-7	06/12~	ER3P(2WD),ER3P(4WD)(2.3L)	FR	83
B3264	MAZDA	CX-7	06/12~	ER3P(2WD),ER3P(4WD)(2.3L)	FL	83
B3265	MAZDA	CX-9	07~	(3.5L)	FR	83
B3266	MAZDA	CX-9	07~	(3.5L)	FL	83
B3269	MAZDA	PREMACY	99/07~01/06	CP8#(1900/2000/2000TD 2WD)	RR	88
		PREMACY	01/07~	CPEW	RR	88
B3270	MAZDA	PREMACY	99/07~01/06	CP8#(1900/2000/2000TD 2WD)	RL	88
		PREMACY	01/07~	CPEW	RL	88
B3271	TOYOTA	COROLLA/ALTIS(ASIA/INDIA)	08~	For THAILAND (1600,1800)	FR	151
B3272	TOYOTA	COROLLA/ALTIS(ASIA/INDIA)	08~	For THAILAND (1600,1800)	FL	151
B3273	MAZDA	CAPELLA/626/FORD TELSTAR/MX-6/CRONOS	97/05~02/05	GF1(1800,2000,200HP,2000TD, 2500), 4SD/5HD NORMAL SUS	FR	83
		CAPELLA/626/FORD TELSTAR/MX-6/CRONOS	97/10~02/05	GW1(1800,2000,200HP,2500 ESTATE/WAGON,2000TD), EXCL. SELF-LEVELING REAR SUS	FR	83
B3274	MAZDA	CAPELLA/626/FORD TELSTAR/MX-6/CRONOS	97/05~02/05	GF1(1800,2000,200HP,2000TD, 2500), 4SD/5HD NORMAL SUS	FL	83
		CAPELLA/626/FORD TELSTAR/MX-6/CRONOS	97/10~02/05	GW1(1800,2000,200HP,2500 ESTATE/WAGON,2000TD), EXCL. SELF-LEVELING REAR SUS	FL	83
B3275	MAZDA	CAPELLA/626/FORD TELSTAR/MX-6/CRONOS	97/05~02/05	GF1 High Road clearance	FR	82
		CAPELLA/626/FORD TELSTAR/MX-6/CRONOS	97/10~02/05	GW1 HEIGHTENING ROAD CLEARANCE EXCL SELF-LEVELING REAR SUS	FR	83
B3276	MAZDA	CAPELLA/626/FORD TELSTAR/MX-6/CRONOS	97/05~02/05	GF1 High Road clearance	FL	82
		CAPELLA/626/FORD TELSTAR/MX-6/CRONOS	97/10~02/05	GW1 HEIGHTENING ROAD CLEARANCE EXCL SELF-LEVELING REAR SUS	FL	83
B3277	MAZDA	MILLENIUM/NEW MILLENIUM/626	'98/05~	2000 COLOMBIA	FR	88
B3278	MAZDA	MILLENIUM/NEW MILLENIUM/626	'98/05~	2000 COLOMBIA	FL	88
B3281	TOYOTA	IST	07/07~	NCP115	FR	167
B3282	TOYOTA	IST	07/07~	NCP115	FL	167
B3283	TOYOTA	RAV-4	98/01~00/05	SXA10G,SXA11G,SXA15G, SXA16G Excl 235/60-16 TIRE	FR	172
		RAV-4	96/08~00/05	SXA10G(3Door) with 235/ 60-16 TIRE	FR	172
		RAV-4	96/08~00/05	SXA11G(5Door) with 235/ 60-16 TIRE	FR	172
B3284	TOYOTA	RAV-4	98/01~00/05	SXA10G,SXA11G,SXA15G, SXA16G Excl 235/60-16 TIRE	FL	172
		RAV-4	96/08~00/05	SXA10G(3Door) with 235/ 60-16 TIRE	FL	172

STOCK NO.

O.E.M. NO.

KIT

B3000 SERIES

TOKICO NO.	MANUFACTURER	VEHICLE	YEAR	MAKE & MODEL	VEHICLE POSITION	REF PAGE
B3284	TOYOTA	RAV-4	96/08~00/05	SXA11G(5Door) with 235/60-16 TIRE	FL	172
B3285	TOYOTA	RAV-4	00/05~	ACA20/21(2000,3/5Door) , ZCA25/26(1800,3/5Door)	FR	172
		RAV-4	01/05~	CLA20(2000TD,3 Door)	FR	173
		RAV-4	01/05~	CLA21(2000TD,5 Door)	FR	173
		RAV-4	04~	ACA#,ZCA# for USA	FR	173
B3286	TOYOTA	RAV-4	00/05~	ACA20/21(2000,3/5Door) , ZCA25/26(1800,3/5Door)	FL	172
		RAV-4	01/05~	CLA20(2000TD,3 Door)	FL	173
		RAV-4	01/05~	CLA21(2000TD,5 Door)	FL	173
		RAV-4	04~	ACA#,ZCA# for USA	FL	173
B3287	TOYOTA	COROLLA	04/04~	CE120,NZE120/121,ZZE120/ 121/122 without ABS	FR	152
B3288	TOYOTA	COROLLA	04/04~	CE120,NZE120/121,ZZE120/ 121/122 without ABS	FL	152
B3289	TOYOTA	COROLLA	02/09~04/04	CE120,ZZE121/122 with ABS	FR	152
B3290	TOYOTA	COROLLA	02/09~04/04	CE120,ZZE121/122 with ABS	FL	152
B3291	TOYOTA	PREMIO/ALLION	07/05~08/08	NST260	FR	171
		PREMIO/ALLION	07/05~	ZRT260,261	FR	171
		PREMIO/ALLION	07/05~	ZRT265	FR	171
		PREMIO/ALLION	07/05~	NZT260	FR	171
B3292	TOYOTA	PREMIO/ALLION	07/05~08/08	NST260	FL	171
		PREMIO/ALLION	07/05~	ZRT260,261	FL	171
		PREMIO/ALLION	07/05~	ZRT265	FL	171
		PREMIO/ALLION	07/05~	NZT260	FL	171
B3293	TOYOTA	IST	07/07~	NCP110	FR	167
B3294	TOYOTA	IST	07/07~	NCP110	FL	167
B3299	HONDA	CR-V	06/10~	RE3	FR	66
		CR-V	06/10~	RE4	FR	66
B3300	HONDA	CR-V	06/10~	RE3	FL	66
		CR-V	06/10~	RE4	FL	66
B3301	TOYOTA	COROLLA	03~07	CE,LE for Central and South America Maeket	FR	152
B3302	TOYOTA	COROLLA	03~07	CE,LE for Central and South America Maeket	FL	152

STOCK NO.

O.E.M NO.

KIT

B4000 SERIES

TOKICO NO.	MANUFACTURER	VEHICLE	YEAR	MAKE & MODEL	VEHICLE POSITION	REF PAGE
B4020	HONDA	CIVIC	01~02	EP3 (2000) TYPE-R	FR	64
		CIVIC	03~	Ex,LX(1700)	FR	64
B4021	HONDA	CIVIC	01~02	EP3 (2000) TYPE-R	FL	64
		CIVIC	03~	Ex,LX(1700)	FL	64
B4024	MAZDA	CAPELLA/626/FORD TELSTAR/MX-6/CRONOS	97/10~02/05	GW1(1800,2000,200HP,2500 ESTATE/WAGON,2000TD), EXCL. SELF-LEVELING REAR SUS	RR	83
		CAPELLA/626/FORD TELSTAR/MX-6/CRONOS	97/10~02/05	GW1 HEIGHTENING ROAD CLEARANCE EXCL SELF-LEVELING REAR SUS	RR	83
B4025	MAZDA	CAPELLA/626/FORD TELSTAR/MX-6/CRONOS	97/10~02/05	GW1(1800,2000,200HP,2500 ESTATE/WAGON,2000TD), EXCL. SELF-LEVELING REAR SUS	RL	83
		CAPELLA/626/FORD TELSTAR/MX-6/CRONOS	97/10~02/05	GW1 HEIGHTENING ROAD CLEARANCE EXCL SELF-LEVELING REAR SUS	RL	83
B4026	HONDA	CR-V	01/08~04/09	RD4	FR	66
		CR-V	01/08~04/09	RD5	FR	66
B4027	HONDA	CR-V	01/08~04/09	RD4	FL	66
		CR-V	01/08~04/09	RD5	FL	66
B4028	HONDA	CR-V	04/09~	RD6,RD7	FR	66
B4029	HONDA	CR-V	04/09~	RD6,RD7	FL	66

STOCK NO.

O.E.M NO.

KIT

E1000 SERIES

TOKICO NO.	MANUFACTURER	VEHICLE	YEAR	MAKE & MODEL	VEHICLE POSITION	KIT NO.		REF PAGE
						UPPER	LOWER	
E1132	TOYOTA	STARLET	78/02~84/10	KP61	R	161	002	173
E1153	NISSAN	PULSAR/LANGLEY/LIBERTA VILLA/EXA SUNNY/LAUREL SPIRIT	82/05~86/04 81/10~85/08	N12 B11 All(Incl. Wagon,Excl. Van)	R R	241	015	114 117
E1165	DAIHATSU	CHARADE	83/01~86/12	G11,V,G30,V(Incl.Van,Excl.TX, TS,CX,Turbo)	R	251	015	50
		CHARADE	83/01~86/12	G11,G30,(TX,TS,CX)	R			50
		CHARADE	83/09~86/12	G11,G30,(Turbo,DETOMASO Turbo)G26 (926 Turbo)	R			50
		CUORE	85/08~86/04	L70V(C,S)	R			51
		CUORE	85/08~87/08	L70V(A,B,FB)	R			51
		CUORE	85/08~87/08	L70S(TA,TC,TCX,CX,CA,CG)	R			51
		CUORE	86/04~87/08	L70V(C,S)	R			51
		CUORE	86/04~87/08	L70S(GRAN)	R			51
		CUORE	87/08~	L70S(GRAN)	R			51
		CUORE	87/08~	L70S(TA,TC,TCX,CX,CA,CG)	R			51
		CUORE	87/08~	L70V(A,B,FB)	R			51
		CUORE	87/08~	L70V(C,S)	R			51
		CUORE	85/08~90/07	L80	R			51
		LEEZA	86/11~87/06	L100V(Y,Z),L100S(TS)	R			53
		LEEZA	86/11~87/08	L100V(X),L100S(TD)	R			54
		LEEZA	87/08~	L100V(X),L100S(TD)	R			54
●E1168 (1168)	MITSUBISHI	MIRAGE/LANCER FIORE	83/10~85/12	C11A,C12A,C13A,C14A	R	015	015	99
		MIRAGE SALOON/LANCER FIORE	83/10~85/12	C11A,C12A,C13A,C14A	R			99
●E1175 (1175)	SUZUKI	CULTUS	86/06~89	AA43S(Turbo),AA33S,AB33S AA43S(Excl. Turbo),AB43S, AA53S,AB53S(MR,GR),AA43V	R	266	015	135
E1176	ISUZU	GEMINI	85/03~90/03	JT150,600	R	270	015	73
		GEMINI	85/08~90/03	JT600(Diesel)	R			73
E1182	SUZUKI	ALTO/SH410	98/08~	HA11/12/22	R	015	015	134
●E1195 (1195)	SUZUKI	CARRY/EVERY	85/03~	DA71V,DB71T,V	R	015	022	135
E1202	NISSAN	MARCH/MICRA	92/08~02/02	K11,HK11	R	290	015	112
E1216	DAIHATSU	TERIOS	97/03~	J100(2WD) incl.with ABS	R	-	015	54
		TERIOS	97/03~98/09	J100G(1300,4WD)	R			54
E1217	DAIHATSU	CUORE/DOMINO/MOVE	98/10~	L901	R	015	015	51
		SIRION/STORIA	98/01~00	M100(1.0,2WD) No.~M100-538945	R			54
		SIRION/STORIA	00~	M100(1.0,2WD) No.M100-538946~	R			54
		YRV	00/08~	M101(1.3,2WD) M200(1.0,2WD) M201(1.3,2WD)	R			54

STOCK NO.

O.E.M. NO.

KIT

E2000 SERIES

TOKICO NO.	MANUFACTURER	VEHICLE	YEAR	MAKE & MODEL	VEHICLE POSITION	KIT NO.		REF PAGE	
						UPPER	LOWER		
E2006	MITSUBISHI	LANCER/LANCER EX	79/04~80/01	A172(1400)	R	015	015	98	
		LANCER/LANCER EX	79/04~80/01	A174(1600)	R			98	
E2007	MITSUBISHI	LANCER/LANCER EX	80/02~86/12	A171(1200),A172(1400)	R	015	015	98	
		LANCER/LANCER EX	80/02~86/12	A171,A172(Heavy Duty),A174(1600),A175(1800 Excl. Turbo)	R			99	
		LANCER/LANCER EX	81/11~83/10	A175A(GT Turbo,GSR Turbo)	R			99	
E2012	MITSUBISHI	GALANT LAMBDA	80/05~83/10	A163(2000),A167(2300)	R	015	015	93	
		GALANT LAMBDA	80/05~83/10	A162(1800)	R			93	
		GALANT LAMBDA ETERNA	80/05~82/08	A162(1800)	R			94	
		GALANT LAMBDA ETERNA	80/05~82/08	A163(2000),A167(2300)	R			94	
		GALANT/MAGNA/SIGMA	80/05~83/07	A161(1600),A162(1800) (Incl. Turbo)	R			95	
		GALANT/MAGNA/SIGMA	80/05~83/07	A163(2000),A167(1800) (Incl. Turbo)	R			95	
		GALANT SIGMA ETERNA	80/05~83/07	A161(1600),A162(1800) (Incl. Turbo)	R			94	
		GALANT SIGMA ETERNA	80/05~83/07	A163(2000),A167(2300) (Incl. Turbo)	R			94	
		STARION	82/05~87/05	A182(Rear;Rigid Axle)	R			100	
E2048	DAIHATSU	DELTA 750	79/10~82/09	KD20(Single Tire)	R	002	002	52	
		DELTA WIDE	76/10~81/01	TB11G(Wagon),TB15G(Wagon)	R			52	
		DELTA WIDE	76/10~82/10	KB10V,11V,12V,TB10V,11V(VAN)	R			52	
		DELTA WIDE	81/01~82/10	TB15G(Wagon)	R			52	
		TAFT	74/08~78/08	F10,20,50,60	R			54	
		TAFT	78/08~84/04	F10,20,50,60	R			54	
	MAZDA	TITAN	80/10~87on	All WEW,WEX,WEY,WEZ,WE5,WEF,WEL WE14,17	R			89	
		TITAN WALK THROUGH	83/05~	WEFTA(1.75t W Tire)	R			89	
	MITSUBISHI	COLT GALANT	69~73	A51V,52V,53V,54V	R			93	
		LANCER/LANCER EX	72~76/11	A71V(1200Van),A72V(1400Van)	R			98	
		LANCER/LANCER EX	76/12~79/04	A42V(1400Van),A75V(1200Van)	R			98	
		LANCER/LANCER EX	79/04~	A141V,142V,148V,149V(Van)	R			98	
		L300/DELICA	77/08~86/02	T120,T121All(Truck, Van) LO31,LO32P,LO34P,LO31PUE, LO31P,LO34P,LO31PUE, LO33PV,W,LO35PW,63P	R			95	
		L300/DELICA	82/10~86/02	LO38P,V,W,36PV,W,68P,V,W	R			96	
	L300/DELICA	86/03~	LO33PV,36P(Excl. Low Floor One-Opening),LO63P,LO69P	R			96		
	L300/DELICA	86/03~	LO38P,V,W,LO63PV,LO68P,V	R			96		
	L300/DELICA	94/06~	P05T,P13T,P15T(2WD TRUCK)	R			96		
	NISSAN	SUNNY/SENTRA	70~82/09	B110,B210,B310,B311,B312	R			118	
		SUNNY TRUCK	75/10~89/10	B120,121,122,GB120,121,122	R			117	
		VANETTE(SUNNY/CHERRY/DATSUN)/NOMADO	86/11~93/04	C22,GC, 4WD All	R			121	
TOYOTA	BLIZZARD	80/03~84/05	LD10V	R			140		
	LIGHT ACE	79/10~86/09	KM20V,21V,YM20V,CM20V KM20,21,CM20	R			171		
	TOWN ACE	76/10~82/10	TR11,15	R			175		
	TOWN ACE	82/11~86/09	KM21,CM20(Truck,Double Tire)	R			175		
E2154	SUZUKI	JIMNY	71~81	LJ20,SJ10/SJ20	F	104	002	136	
		JIMNY	77/08~81	SJ20 ,SJ10	F			136	
		JIMNY	81/05~	SJ30 ,SJ40 ,JA51C,V,W,JA71C,V,SJ413,ST410,JA7	F			136	
E2186	DAIHATSU	DELTA 750	71~79/10	KD10,11	R	030	030	52	
		ISUZU	FASTER/RODEO/TROOPER/CAMBO/BRAVA	77/01~79/12	KB20	R			72
			FASTER/RODEO/TROOPER/CAMBO/BRAVA	79/05~80/10	KBD40(4WD)	R			72
			FASTER/RODEO/TROOPER/CAMBO/BRAVA	79/12~80/10	KB20	R			72
	FASTER/RODEO/TROOPER/CAMBO/BRAVA		79/12~80/10	KB25	R			72	
	MAZDA	BONGO FORD J80/SPECTRON/BRAWNY	83/09~97/04	SSF8VE(2WD),VAN	R			82	
		BONGO FORD J80/SPECTRON/BRAWNY	87/12~97/04	SS28ME(4WD),VAN	R			82	
		BONGO FORD J80/SPECTRON/BRAWNY	87/12~97/04	SSF8RE(4WD)	R			82	
		FORD J80/SPECTRON	83/09~97/04	SS48VF,SS88WF,SSF8F,SSF8VF(Diesel)	R			86	
	NISSAN	DATSUN TRUCK/DATSUN PICKUP	82/01~85/07	720 (4WD)	R			110	
	TOYOTA	CORONA	64~69	PT46V,47V,RT46V(Van) PT46,47(Pick Up)	R			153	
		CORONA	73/08~78/08	RT106V,108V,TT106V(Van)	R			153	

STOCK NO.

O.E.M. NO.

KIT

E2000 SERIES

STOCK NO.	TOKICO NO.	MANUFACTURER	VEHICLE	YEAR	MAKE & MODEL	VEHICLE POSITION	KIT NO.		REF PAGE
							UPPER	LOWER	
	E2186	TOYOTA	CRESSIDA/MARK II/CHASER/CRESTA	68/09~76/11	RT66V,69V(Van) RT67V,68V (Van Deluxe),RX26~28, MX27(Wagon),RX16V,17V(Van)	R			157
			LIGHT ACE	70/11~79/09	KM10,11	R			171
	●E2274	MITSUBISHI	COLT GALANT	69~77	A51,52,53,54 A53H(Hardtop)A61~63(FTO) A55C(GTO),A57C(2000SL), A112,114,115 All(Excl.Van)	R	015	002	93
	●E2275 (2275)	MAZDA	PROCEED	71/03~77/04	BNA(1600)	F	104	015	88
	E2291	MAZDA	LUCE/RX-4/929	72~79/01	LA2V,LA22S,LA33S,LA3V LA22W,LA33W	R	156	161	86
			LUCE/RX-4/929	79/02~	LA4MV(Van),LA4SV(Diesel Van)	R			86
	E2316	MAZDA	CAPELLA/616	78/10~79/05	CB2	R	161	002	82
			CAPELLA/616	79/02~80/02	CB2VS	R			82
			CAPELLA/616	79/05~83/09	CB2	R			82
			CAPELLA/616	80/02~83/09	CB2VS(TAXI)	R			82
			LUCE/RX-4/929	77/10~79/10	LA4VS,LA42S,LA43S	R			86
			LUCE/RX-4/929	79/10~81/07	LA4MS,LA4VS,LA43S, LA4SS(Diesel)	R			86
	E2321	TOYOTA	CRESSIDA/MARK II/CHASER/CRESTA	84/08~88/08	GX71(EFI),LS,LG,GRANDE	R	161	002	158
			CRESSIDA/MARK II/CHASER/CRESTA	85/10~88/08	GX71(Twincam Turbo)GT,MX71 (Turbo)	R			158
	E2325	TOYOTA	CARINA	77/08~85/08	TA40,41,42,45,46,47,RA40,45,46 AA60,AA60G,SA60 SED Coupe CA60	R	225	002	144
			CARINA	85/08~88/04	SA60 SED Coupe,AA60,AA60G	R			144
			CELICA	77/08~80/07	TA40,45,RA40,RA45 (GT,GTV,GTR) 13inch Tire TA41,42,46,RA40,46(ET,LT,XT, ST,SE) ,TA47 TA45,RA45(13inch Tire), TA41,46,47,RA46,SA60	R			145
			CELICA	78/04~85/07	TA40,45,RA40,RA45(GT,GTV, GTR) 14inch Tire,MA45,46(XX Model) TA64	R			145
			CELICA	84/01~85/07	SA60	R			146
			CELICA CAMRY	80/01~82/02	TA4	R			146
			COROLLA/SPRINTER	87/08~	CE96V(Van),CE97G(Wagon)	R			148
			COROLLA/SPRINTER	87/08~	CE96V(Van) STRUT ASSY TYPE	R			148
			COROLLA/SPRINTER	87/08~	CE97G(Wagon) STRUT ASSY TYPE	R			148
			COROLLA/SPRINTER	87/08~	EE96V,EE98V***Van STRUT ASSY TYPE	R			148
			COROLLA/SPRINTER	87/08~	EE97G(Wagon) STRUT ASSY TYPE	R			148
			COROLLA/SPRINTER	91/06~00/08	CE106,108,EE106(LPG VAN), EE107,EE108,2WD WAGON,VAN	R			149
			CORONA	78/09~81/12	TT131,RT133(SL,CXS),TT130	R			153
			CORONA	78/09~81/12	TT131,RT133(SL,CXS),TT132, RT132	R			153
			CORONA	82/01~83/10	CT140(GX,EX Saloon)	R			153
			CORONA	82/01~85/08	AT140,ST140 CT140(GX,EX Saloon),AT140	R			153
			CORONA	82/01~	C/T140(STD)	R			153
			CORONA	85/08~87/12	ST140	R			153
			CORONA	85/08~87/12	AT140	R			153
			CORONA	86/12~	CT141	R			154
			CORONA	87/12~	CT176V(Van)	R			154
			CORONA	87/12~	ET176V(Van)	R			154
			CORONA/CALDINA	92/11~96/01	ET196(GAS)	R			155
	CRESSIDA/MARK II/CHASER/CRESTA	80/11~82/08	GX60(Wagon)	R	157				
	CRESSIDA/MARK II/CHASER/CRESTA	82/08~84/07	GX60(Wagon)	R	158				
	●E2478 (2478)	MAZDA	FAMILIA/323	77/01~79/05	FA4 ,FA5	R	015	002	83
			FAMILIA/323	79/05~80/05	FA4 ,FA5	R			83

E2000 SERIES

TOKICO NO.	MANUFACTURER	VEHICLE	YEAR	MAKE & MODEL	VEHICLE POSITION	KIT NO.		REF PAGE
						UPPER	LOWER	
E2479	MITSUBISHI	GALANT LAMBDA	76/12~80/05	A123(2000),A123(2000GSR), A133(Excl.2000GL)	R	015	002	93
		GALANT LAMBDA	79/05~83/10	A135(2600)	R			93
		GALANT LAMBDA	76/12~80/05	A121(1600SL),A131(1600SL) A133(2000GL)	R			93
		GALANT LAMBDA	76/12~78/03	A121(1600GS)	R			93
		GALANT LAMBDA ETERNA	75/05~80/05	A135(2600)	R			94
		GALANT LAMBDA ETERNA	78/03~80/05	A131(1600)	R			94
		GALANT LAMBDA ETERNA	78/03~80/05	A133(2000)	R			94
		GALANT/MAGNA/SIGMA	76/05~80/05	A123(2000),A121(1600),A131 A122(1850),A132(1850),A133	R			94
		GALANT/MAGNA/SIGMA	77/08~80/05	A133(2000 Super Saloon)	R			94
		GALANT SIGMA ETERNA	78/03~80/05	A123(2000GSR) A131(1600),A133(2000 Excl. Super Saloon)	R			94
		GALANT SIGMA ETERNA	79/03~80/05	A133(2000 Super Saloon)	R			94
E2546	MITSUBISHI	L200/FORTE/TRITON	78/09~	LO21P,LO22P,K11T,K12T, K14T(2WD)	F	104	014	95
E2547	MITSUBISHI	L200/FORTE/TRITON	78/09~	LO21P,LO22P,K11T,K12T, K14T(2WD)	R	002	002	95
●E2553 (2553)	NISSAN	VANETTE(SUNNY/CHERRY/DATSUN)/NOMADO	78/10~88/10	C120,C121,C122 e All	F	015	002	121
●E2554 (2554)	NISSAN	VANETTE(SUNNY/CHERRY/DATSUN)/NOMADO	78/10~88/10	C120,C121,C122 e All	R	015	002	121
E2566	NISSAN	DATSUN TRUCK/DATSUN PICKUP	71~79/08	620(Truck, Van, Custom Model) (Incl. Flat Floor Truck)	F	161	015	109
		DATSUN TRUCK/DATSUN PICKUP	71~79/08	N620(Pickup)	F			109
		DATSUN TRUCK/DATSUN PICKUP	79/09~85/07	720 All(Excl.4WD)	F			109
		DATSUN TRUCK/DATSUN PICKUP	80/04~81/12	720 (4WD)	F			109
		DATSUN TRUCK/DATSUN PICKUP	82/01~85/07	720 (4WD)	F			110
		DATSUN TRUCK/DATSUN PICKUP	85/08~98/02	D21(2WD)	F			110
		DATSUN TRUCK/DATSUN PICKUP	98/02~02/08	D22(2.4,2.5, TD 2WD)	F			110
E2568	MITSUBISHI	MIRAGE/MIRAGE II/LANCER FIORE	78/08~83/09	A151,152,155,156(1200,1400) A153,157(1600)	R	015	015	99
		TREDIA/CORDIA	82/03~82/09	A211A(GL,GX,GF) A212A (SX,GT,GSR,Super Saloon) A213A(SE,Super Saloon)	R			101
		TREDIA/CORDIA	82/10~83/11	A211A(GL,GX,GF) A212A (SX,GT,GSR,Super Saloon) A213A(SE,Super Saloon)	R			101
		TREDIA/CORDIA	83/12~87	A211A(GL,GX,GF) A212A (SX,GT,GSR,Super Saloon) A213A(SE,Super Saloon)	R			101
		TREDIA/CORDIA	84/08~87	A215A(Super Saloon)	R			101
E2572	TOYOTA	COROLLA/SPRINTER	79/03~83/05	KE70,AE70	R	161	002	147
		COROLLA/SPRINTER	79/03~85/04	TE70,71,CE70 AE85(LEVIN,TRUENO)	R			147
		COROLLA/SPRINTER	85/05~87/04	AE85(LEVIN,TRUENO)	R			148
		COROLLA/SPRINTER	87/10~95/08	AE95(4WD Incl. Van/Wagon)	R			148
E2574	TOYOTA	COROLLA/SPRINTER	79/08~83/08	KE71V,KE72V,74V(Van) KE73G,CE72G(Wagon)	R	161	002	147
		COROLLA/SPRINTER	79/08~85/04	KE72V,TE73V,74V,CE71V(Van) KE73G,CE72G(Wagon)	R			147
		COROLLA/SPRINTER	83/05~	AE85,CE80	R			147
		COROLLA/SPRINTER	85/05~87/07	KE72V,74V(Van),KE73G,CE72G (Wagon),TE73V,CE71V(Van)	R			148
●E2616 (2285)	ISUZU	GEMINI	74~87/01	PF50,60,PF60	F	104	015	73
		GEMINI	79/11~87/01	PF60(ZZT,ZZL,ZZR,ZZT)	F			73
●E2617 (2284)	ISUZU	GEMINI	74~87/01	PF50,60,PF60	R	104	015	73
		GEMINI	79/11~87/01	PF60(ZZT,ZZL,ZZR,ZZT)	R			73
E2618	ISUZU	FASTER/RODEO/TROOPER/CAMBO/BRAVA HI-LANDER	80/10~ 00~	KBD21,26 MSG-5K(2.5D),AWO3-72LE (2.5Turbo-D)	F	104	105	72
		PANTHER		C190,C233	F			73
		PANTHER		TBR541	F			73
E2619	ISUZU	FASTER/RODEO/TROOPER/CAMBO/BRAVA	80/10~	KBD21,26	R	002	002	72
		FASTER/RODEO/TROOPER/CAMBO/BRAVA	80/10~	KBD41(4WD),46(4WD)	R			72
		RODEO BIG HORN/TROOPER	81/09~	UBS52	RR			73

STOCK NO.

O.E.M. NO.

KIT

E2000 SERIES

TOKICO NO.	MANUFACTURER	VEHICLE	YEAR	MAKE & MODEL	VEHICLE POSITION	KIT NO.		REF PAGE
						UPPER	LOWER	
E2619	ISUZU	HI-LANDER	00~	MSG-5K(2.5D),AWO3-72LE (2.5Turbo-D)	R			73
	TOYOTA	TOWN ACE	79/11~82/10	RR11,21(Just-Low)	R			175
E2649	TOYOTA	HILUX	83/11~88/09	LN60,65,YN60,65(4WD)	F	232	015	165
		HILUX	84/05~88/09	LN60,YN60V(4WD VAN)	F			165
●E2650 (2650)	NISSAN	TERRANO/PATH FINDER	86/08~89/10	WBYD21,WNYD21,VBYD21	R	002	002	121
		TERRANO/PATH FINDER	87/10~93	WBYD21,WNYD21,WHYD21, VBYD21(Euro & N.America)	R			121
	TOYOTA	HILUX	79/10~83/10	RN36,39(4WD)	R			165
		HILUX	81/10~83/10	LN36,46(Diesel 4WD)	R			165
E2693	ISUZU	FASTER/RODEO/TROOPER/CAMBO/BRAVA	72~76/12	KB20	F	104	015	72
		FASTER/RODEO/TROOPER/CAMBO/BRAVA	77/01~79/12	KB20	F			72
		FASTER/RODEO/TROOPER/CAMBO/BRAVA	79/05~80/10	KBD40(4WD)	F			72
		FASTER/RODEO/TROOPER/CAMBO/BRAVA	79/12~80/10	KB20	F			72
		FASTER/RODEO/TROOPER/CAMBO/BRAVA	79/12~80/10	KB25	F			72
		FASTER/RODEO/TROOPER/CAMBO/BRAVA	80/10~	KBD41(4WD),46(4WD)	F			72
		FASTER/RODEO/TROOPER/CAMBO/BRAVA	82/12~	KBD42(4WD)	F			72
		RODEO BIG HORN/TROOPER	81/09~	UBS52	F			73
●E2694	TOYOTA	COROLLA/SPRINTER	83/05~85/04	AE86(LEVIN,TRUENO)	R	161	002	147
		COROLLA/SPRINTER	85/05~87/04	AE86(LEVIN,TRUENO)	R			148
E2697	SUZUKI	JIMNY	81/05~	SJ30,SJ40,JA51C,V,W,JA71C, V,SJ413,ST410,JA7	R	002	002	136
E2713	DAIHATSU TOYOTA	DELTA WIDE	82/11~84/05	YB20G,21G,CR21G(Wagon)	F	161	014	52
		LIGHT ACE	85/09~	KM30G(XL7,Super Casual,GXL, FXV),YM30G CM30G(SW,DX), KM31V	F			171
		LIGHT ACE	85/09~	KM35V(DX),KM36V(DX,Super) ***Just-Low,CM35V,CM36V(DX)	F			171
		MASTER ACE•SURF	82/11~84/08	YR20G,21G,CR21G(Wagon)	F			171
		MASTER ACE•SURF	84/08~	YR20G,(DX,Middle Roof of Touring),YR21G(Touring S), CR21G(DX),(Wagon)	F			171
		MASTER ACE•SURF	85/08~	YR28G,CR28G	F			171
		TOWN ACE	82/11~84/05	YR20G,21G,CR21G(Wagon)	F			175
		TOWN ACE	82/11~85/08	YR26V,CR26V(DX),KR26V(Van)	F			175
		TOWN ACE	84/05~84/08	YR20G,21G,CR21G(Wagon)	F			175
		TOWN ACE	84/05~	YR20G,21G,CR21G	F			175
TOWN ACE	85/08~	YR20G,21G,CR21G(Anti-Cold Spec.)(Wagon)	F			175		
TOWN ACE	85/08~	YR26V,CR26V(DX),KR26V*** Van,YR28G,CR28G(Wagon)	F			175		
E2714	DAIHATSU	DELTA WIDE	82/11~84/05	YB20G,21G,CR21G(Wagon)	R	225	002	52
		DELTA WIDE	84/05~84/08	YB20G,21G,CR21G(Wagon)	R			52
	TOYOTA	MASTER ACE•SURF	82/11~84/08	YR20G,21G,CR21G(Wagon)	R			171
		TOWN ACE	84/05~84/08	YR20G,21G,CR21G(Wagon)	R			175
E2726	TOYOTA	HILUX	83/11~88/09	LN50,51,55,56,YN51,56	F	172	014	165
		HILUX	88/09~	LN80,85,YN80,85	F			165
		HILUX	97/08~	LN145,LN150,RZN152	F			166
		HILUX	97/08~	LN145(Double-Cabin),LN/ RZN147	F			166
E2732	SUBARU	SUBARU E (DOMINGO)	84/08~	EUR.2WD•SDX	R	208	015	130
		SUBARU E (DOMINGO)	84/08~91/07	EUR.4WD•SDX	R			130
E2735	MAZDA	BONGO FORD J80/SPECTRON/BRAWNY	83/09~97/04	SSF8VE(2WD),VAN	F	182	014	82
		BONGO FORD J80/SPECTRON/BRAWNY	83/12~97/04	SEF8TE(2WD),TRUCK	F			82
		FORD J80/SPECTRON	83/09~97/04	SS48VF,SS88WF,SSF8F, SSF8VF(Diesel)	F			86
		FORD J100	84/02~	SDEATF,VF,SD2ATF,VF	F			86
E2746	SUBARU	SUBARU1300/1600/1800(RHD)	80/09~	2-Door(HB)	R	014	015	130
		SUBARU1300/1600/1800(RHD)	80/09~	4-Door SED DL, GLF Hardtop•GLF,Station Wagon 2WD	R			130
		SUBARU1300/1600/1800(RHD)	80/09~	4-Door SED 4WD	R			130
		SUBARU1300/1600/1800(RHD)	80/09~	4-Door SED 4WD	R			130
		SUBARU1300/1600/1800(RHD)	80/09~	Station Wagon 2WD	R			131
		SUBARU1600/1800(LHD)	83~84/08	2-Door STD,DL,GL SRX(2WD) (HB) 4-Door SED STD,DL,GLF(2WD)	R			131
		SUBARU1600/1800(LHD)	83~84/08	4-Door SED STD,DL,GLF(2WD)	R			131
		SUBARU1600/1800(LHD)	83~94	Multi-Purpose Vehicle 2WD	R			131
SUBARU1600/1800(LHD)	83~94	Multi-Purpose Vehicle 4WD	R			131		

STOCK NO.

O.E.M NO.

KIT

E2000 SERIES

TOKICO NO.	MANUFACTURER	VEHICLE	YEAR	MAKE & MODEL	VEHICLE POSITION	KIT NO.		REF PAGE
						UPPER	LOWER	
E2746	SUBARU	SUBARU1600/1800(LHD)	83~84/08	Station Wagon DL, GLF(2WD)	R			131
E2770	PROTON	SAGA/MPI	85~96	C2#	R	015	015	128
E2771	TOYOTA	HILUX	83/11~88/09	LN50,51,55,56,YN51,56	R	002	002	165
E2777	NISSAN	PULSAR/LANGLEY/LIBERTA VILLA/EXA	84/03~86/05	N12	R	241	015	114
E2785	TOYOTA	HILUX	83/11~88/09	LN60,65,YN60,65(4WD)	RR	011	011	165
E2786	TOYOTA	HILUX	97/08~	LN165/170,RZN168/173	RL	011	011	166
E2787	TOYOTA	HILUX HILUX	84/05~88/09 85/08~98/07	LN60,YN60V(4WD VAN) LN61V,YN61V,4WD,VAN,SURF	RR RR	011	011	165 165
E2794	MAZDA	PROCEED MAZDA FIGHTER(BT50)/FORD RANGER	85/01~96 02/06~06/02	B1600,B2000,B2200,B2500, B2600(2WD) J97 PT(4X2)	F F	172	015	88 87
E2795	MAZDA	PROCEED PROCEED MAZDA FIGHTER(BT50)/FORD RANGER	85/01~96 96/03~ 02/06~06/02	B1600,B2000,B2200,B2500, B2600(2WD) 2.2i,2.5D PICK UP 2WD J97 PT(4X2)	R R R	002	002	88 87
E2800	MITSUBISHI	PAJERO/SHOGUN/MONTERO PAJERO/SHOGUN/MONTERO	83/01~91 91~99/08	L041G,L042G,L043G,L044G, L046G,L047G,L048G,L049G V1#V/W,V3#V/W	R R	002	002	100 100
E2806	TOYOTA	LIGHT ACE	85/09~	KM30G(XL7,Super Casual,GXL, FXV),YM30G CM30G(SW,DX), KM31V	R	002	225	171
E2807	TOYOTA	LIGHT ACE	85/10~	C/M41V,YM40G,CM40G(Wagon)	R	002	225	171
E2808	TOYOTA	LIGHT ACE	85/09~	KM35V(DX),KM36V(DX,Super) ***Just-Low,CM35V,CM36V(DX)	R	002	225	171
E2819	TOYOTA	TOWN ACE TOWN ACE	85/10~93/02 85/10~93/02	CR36,CR37,YR38(4WD) YR31,CR31(4WD)	F F	161	015	175 175
E2827	DAIHATSU TOYOTA	DELTA WIDE MASTER ACE•SURF TOWN ACE	84/08~ 84/08~ 84/05~	YB20G,21G,CR21G(Wagon) YR20G,(DX,Middle Roof of Touring),YR21G(Touring S), CR21G(DX),(Wagon) YR20G,21G,CR21G	R R R	225	002	52 171 175
E2859	TOYOTA	HILUX HILUX	88/08~97/08 89~97/08	RN106/135,LN/YN/RN107/ 110,LN108(4WD) LN105(4WD)	RL R	011	011	165 165
E2861	ISUZU	RODEO BIG HORN/TROOPER	88/04~	UBS	R	002	002	74
	NISSAN	TERRANO II /MISTRAL	93~	R20	R			121
●E2871 (2872) (E2916)	SUZUKI	ESCUDO/VITARA/SE416/SV420/SV620/X90/SQ416/SQ420/SQ425	89~95	TA01,02,TD01,02	R	156	015	136
●E2872 (2872) (E2916)	SUZUKI	ESCUDO/VITARA/SE416/SV420/SV620/X90/SQ416/SQ420/SQ425	89~95	TA01,02,TD01,02	R	156	015	136
●E2897	SUBARU	SUBARU E (DOMINGO)			R	208	015	130
E2914	ISUZU	FASTER/RODEO/TROOPER/CAMBO/BRAVA RODEO BIG HORN/TROOPER	87~ 88/04~	TF940(2WD)	F F	-	015	72 74
E2915	ISUZU	FASTER/RODEO/TROOPER/CAMBO/BRAVA	87~	TF940(4WD)	F	-	015	72
	NISSAN	TERRANO/PATH FINDER	86/08~89/10	WBYD21,WNYD21,VBVD21	F			121
E2916	SUZUKI	ESCUDO/VITARA/SE416/SV420/SV620/X90/SQ416/SQ420/SQ425 ESCUDO/VITARA/SE416/SV420/SV620/X90/SQ416/SQ420/SQ425 ESCUDO/VITARA/SE416/SV420/SV620/X90/SQ416/SQ420/SQ425	89~95 96~ 98~	TA01,02,TD01,02 TA01,02,TD01,02,11,TD31,32 TA01,02,TA51,TL52,TD31,32, TD61,62	R R R	-	015	136 136 136
●E2939 (1202) (E1202)	NISSAN	MARCH/MICRA	92/08~02/02	K11,HK11	R	290	015	112
E2942	TOYOTA	RAV-4 RAV-4 RAV-4 RAV-4 RAV-4 RAV-4 RAV-4 HILUX SURF/4-RUNNER	94/04~98/01 98/01~00/05 96/08~00/05 00/05~ 01/05~ 01/05~ 04~ 95/11~	SXA10G,SXA11G SXA10G,SXA11G,SXA15G, SXA16G Excl 235/60-16 TIRE SXA10G(3Door) with 235/ 60-16 TIRE ACA20/21(2000,3/5Door) , ZCA25/26(1800,3/5Door) CLA20(2000TD,3 Door) CLA21(2000TD,5 Door) ACA#,ZCA# for USA RZN18#,VZN18#,PICKUP (Excl wide tire)	R R R R R R R R	-	002	172 172 172 172 173 173 173 166
E2949	TOYOTA	YARIS/VITZ/ECHO/PLATZ	99/01~04/04	SCP10,SCP11,SCP12,NCP10, NCP12(2WD)	R	-	015	178

STOCK NO.

O.E.M. NO.

KIT

E2000 SERIES

TOKICO NO.	MANUFACTURER	VEHICLE	YEAR	MAKE & MODEL	VEHICLE POSITION	KIT NO.		REF PAGE
						UPPER	LOWER	
E2949	TOYOTA	YARIS VERSO/FUN CARGO	99/08~	NCP20(2WD)With Rear Disk Brake	R			177
		YARIS VERSO/FUN CARGO	99/08~05/09	NCP20(1300),NCP21(1500)	R			177
		VIOS/SOLUNA VIOS	02/12~	NCP42..ATM..15S	R			176
		VIOS/SOLUNA VIOS	02/12~	NCP4#..(13E,13STD,15E,15G,15J),(PHL,TH,VN)	R			177
		VIOS	02/11~	NCP4#	R			176
E2960	NISSAN	AVENIR/PRIMERA WAGON/BLUEBIRD WAGON	90/05~98/01	W10 2WD	R	015	015	104
		PRIMERA	90/07~98/01	TRAVELLER W10	R			113
E2964	MITSUBISHI	L200/FORTE/TRITON	96/01~	K66T(3.0 V6.2WD)	R	002	002	95
		L200/FORTE/TRITON	96/01~	K74T,K75T(4WD),K76T(3.0 4WD),K77T(2.8D 4WD)	R			95
E2966	TOYOTA	HILUX	97/08~	LN165/170,RZN168/173	RR	011	011	166
E2973	TOYOTA	RAV-4	96/08~00/05	SXA11G(5Door) with 235/60-16 TIRE	R	-	002	172
E2975	TOYOTA	TOWN ACE NOAH/LIGHT ACE NOAH/SPACIA	96/10~01/11	CR40/41/42G/KR41/42/43/SR40/43G(2WD)	R	002	015	175
E2979	TOYOTA	HILUX VIGO/FORTUNER	04/08~	HILUX VIGO 4WD	R	011	011	167
E2981	TOYOTA	YARIS/VITZ	06/02~	NCP91 FOR Asia	R	-	015	177
E2995	NISSAN	AVENIR/PRIMERA WAGON/BLUEBIRD WAGON	90/05~98/01	W10,NW10 4WD	R	015	002	104
E2996	TOYOTA	HILUX	88/08~97/08	RN106/135,LN/YN/RN107/110,LN108(4WD)	RR	011	011	165
E2998	SUZUKI	GRAND VITARA XL-7/GRAND ESCUDO	00/11~05/05	TX92W (2700 4WD)	R	156	015	136
E2999	DAIHATSU	XENIA	03~		R			54
	TOYOTA	AVANZA	03~		R			140

STOCK NO.

O.E.M NO.

KIT

E20000 SERIES

TOKICO NO.	MANUFACTURER	VEHICLE	YEAR	MAKE & MODEL	VEHICLE POSITION	KIT NO.		REF PAGE
						UPPER	LOWER	
E20001	ISUZU	PANTHER PANTHER		C190,C233 TBR541	R R			73 73
E20003	DAIHATSU	F-70/TAFT GT F-70/TAFT GT	84~ 84~		F R			52 52
E20008	TOYOTA	CORONA/CALDINA CORONA/CALDINA CORONA/CALDINA CORONA/CALDINA	92/11~96/01 96/01~98/05 98/05~ 92/11~02/05	CT196V 2000 DIESEL CT196V 2000 DIESEL CT197V 2200 DIESEL ET196V 1500	R R R R			155 155 155 155
E20009	DAIHATSU	TERIOS	00/05~05/12	J102G(1300,4WD) CL	R	-	015	54
E20010	DAIHATSU	TERIOS TERIOS TERIOS	01/12~03/08 00/05~05/12 00/05~05/12	J102G(1300,4WD) CX AERO PACK J102G(1300,4WD) CUSTOM MEMORIAL PACK J122G(1300)	R R R	-	015	54 54 54
E20011	DAIHATSU	TERIOS	98/09~00/05	J100G(1300,4WD)	R	-	015	54
E20012	HONDA	FIT/JAZZ FIT/JAZZ FIT/JAZZ	01/06~ 02/09~ 03/01~	GD1(1300) GD2(1300 4WD) GD1(1300) GD3(1500) GD2,4(1300,1500) china	R R R	-	015	67 67 68
E20013	HONDA	CITY FIT/JAZZ	03~05 04~06	for THAILAND GD1/GD3 For Tailand	R R	156 104	331	63 67
E20014	TOYOTA	CORONA/CALDINA CORONA/CALDINA CORONA/CALDINA	92/11~98/07 98/07~ 98/01~	CT198V 2000 DIESEL ST198 2000 4WD CT199 2200 DIESEL 4WD	R R R	225	002	155 155 155
E20015	HONDA	ACCORD/VIGOR	03/02~	CM1(2.0L)/CM2(2.4L)/ CN2(2.2L CDTi)	R	-	015	63

STOCK NO.

O.E.M NO.

KIT

E3000 SERIES

TOKICO NO.	MANUFACTURER	VEHICLE	YEAR	MAKE & MODEL	VEHICLE POSITION	KIT NO.		REF PAGE	
						UPPER	LOWER		
E3120	NISSAN	CEDRIC/GLORIA	71~74	230,K230,N230,(Patrol) KH230,H230(2600) N230,W230(Wagon), 230(Standard),V230(Van)	F	169	014	106	
E3178	MITSUBISHI	CANTER	68~82/09	T92,93,98,T215,T217 T210 (Excl.Double Tire Short Body, Dump,Vaccum) FE111(Long Body,3ton Short Body),131	R	002	002	92	
		CANTER	78/11~85/10	FE211,231,214,234	R			92	
		CANTER	82/10~85/10	FE111(BZ,BZ-1,BZB,E,EZ,EZC, EW,EZCW),FE114(BZ,E,EZ,EZC, EW,EZCW) FE134	R			92	
		CANTER	85/10~	FE311,334,337,FE335 (Excl.BHME,BHZE)	R			92	
		CANTER	85/10~93/10	FE431,434,435,437,444,445 FE447,465,467	R			92	
		CANTER	85/10~	FE221	R			93	
		CANTER	98/07~	FE645/647/657/659	R			93	
		JEEP	70~75	J52,J53,J54,J55,J58,J24,J25, J44,J36	F			95	
		JEEP	70~75	J52,J53,J54,J55,J58,J24,J25, J44,J36	R			95	
		JEEP	74/09~	J56,58	F			95	
		JEEP	74/09~	J56,58	R			95	
		NISSAN	CLIPPER/CABALL/BISON/CIVILIAN	66~67/09	C240 Micro Bus,Light Van (GHC,GHQC,GC,GQC,VC,Single Tire),C240 Single Tire All (Excl.GHC,GHQC,GC,GQC,VC)	F			109
				66~67/09	C240 Micro Bus,Light Van (GHC,GHQC,GC,GQC,VC,Single Tire),C240 Single Tire All (Excl.GHC,GHQC,GC,GQC,VC)	R			109
				68/10~78/01	C240 Micro Bus(GC,GQC Single Tire),C240 Single Tire All (Excl.Bus,light Van),C240 Micro Bus,Single Tire,C240 Light Van, Single Tire(VC),C340 Bus (Single Tire)	R			109
76/05~81/12	C340 (Truck Single Tire) C340 (Truck Single Tire) C340 Bus(Single Tire)			R			109		
TOYOTA	COASTER COASTER DYNA DYNA DYNA DYNA TOYO ACE HI ACE(Incl.VAN,WAGON,COMMUTER) HI ACE(Incl.VAN,WAGON,COMMUTER)	67~72/01	RU18,JU18	F			146		
		72/02~77/07	RU19,BU19	F			146		
		69/02~77/08	RU1,JU1,RU15,JU15(Single Tire),RU10,BU10,JU10(Single Tire),RU12 ,JU12 ,BU12,BU15	F			160		
		70/05~77/08	RU15,JU15(Double Tire) RU10,BU10,JU10(Double Tire)	F			160		
		79/10~84/08	RU2,3,BU2,3,JU20(Single Tire) RU3,BU3,HU30(Double Tire), RU20,22,BU20,21,22,23,25 [Double Tire,Excl,Just-Low, B Type w/Cab Chassis,Dump (3 Rotary)] BU40,41,45,46,50, 51,HU26,40,50 WU26,40,50	R			160		
		84/09~95/05	YU60,BU60,61,BU62 (Excl. 2.75t),(Double Tire),YU60,70V, BU60,61,62,D,H,70V (Single Tire)	R			160		
		80/09~85/07	BY30,31(Just-Low,Aluminum Panel Van),JY30(Single Tire)	R			176		
		67~82/12 82/12~84/01	PHI Seires with single tire YH50V,52V,61V,62V,71V,B,L, LH50V,51V,LH60V,B,61V,B,70V, B,71V,B (Van,Commuter) (Single Tire)YH61G,LH60G, 61G(Wagon)	R R			162 163		

STOCK NO.

O.E.M NO.

KIT

E3000 SERIES

TOKICO NO.	MANUFACTURER	VEHICLE	YEAR	MAKE & MODEL	VEHICLE POSITION	KIT NO.		REF PAGE
						UPPER	LOWER	
E3178	TOYOTA	LAND CRUISER	69/03~84/10	FJ43,BJ43,FJ40,BJ40,BJ4 (Capacity:250,350kg) BJ41,V,42,V(Capacity:400kg) BJ44,V,46,V(Capacity:500kg)	F			167
		LAND CRUISER	69/03~75/01	FJ40,BJ40	F			168
E3205	TOYOTA	CROWN	71/02~75/11	RS80,MS80 MS60,62,65,7 ,RS60	R	014	002	158
E3228	MITSUBISHI	L300/DELICA	68~79/06	T100,T120 All(Truck, Van) T100V,T120V,T120	F	161	014	95
		L300/DELICA	77/08~86/02	T120,T121All(Truck, Van) LO31,LO32P,LO34P,LO31PUE, LO31P,LO34P,LO31PUE, LO33PV,W,LO35PW,63P	F			95
		L300/DELICA	86/03~	LO33PV,36P(Excl.Low Floor One-Opening),LO63P,LO69P	F			96
		L300/DELICA	86/03~	LO33PW,35PW	F			96
		L300/DELICA	86/03~	LO36P(Low Floor One- Opening),36PV	F			96
	L300/DELICA	86/03~	LO38P,V,W,LO63PV,LO68P,V	F			96	
E3275	NISSAN	ATLAS	82/02~	F22(Low Floor Model of Single Tire)	F	161	015	104
		ATLAS ATLAS	82/02~ 82/02~	F22(Double Tire) F22(Single Tire All,Excl.Low Floor Model)	F F			104 104
E3279	NISSAN	ATLAS	82/02~90/07	F22(Double Tire)	F			104
		CABSTAR/HOMER	78/04~81/12	F20 (Excl.Low Floor Model)	F			106
		CABSTAR/HOMER	78/04~81/12	F20 (Long Low Floor Model)	F			106
		CARAVAN/HOMY	78/04~80/08	E20 All	F			106
		CARAVAN/HOMY	80/08~86/08	E23 All	F			106
		CEDRIC/GLORIA	75~79/10	330,P330(SED),K330, KP330(Hardtop),N330,Q330, 330(Standard) R330(Diesel) V330(Van),VR330(Diesel Van) V430,VR430,VH430(Van)	F	169	014	106
CEDRIC/GLORIA	79/06~83/05	430,P430,N430,H430,R430, S430,430(LPG),430(Turbo) 430,P430,N430,H430,R430, S430	F			106		
CEDRIC/GLORIA	79/06~83/05	W430,WH430(Wagon) V430,VR430	F			106		
E3280	NISSAN	CEDRIC/GLORIA	79/06~83/05	430,P430,N430,H430,R430, S430,430(LPG),430(Turbo) 430,P430,N430,H430,R430, S430	R	231	015	106
E3287	TOYOTA	CROWN	71/02~75/11	RS80,MS80 MS60,62,65,7 ,RS60	F	161	014	158
		CROWN	74/10~83/08	RS8,10,MS8,9,10,LS10 (Excl., Van,Incl.Diesel),RS8,10,MS8,9, 10,MS110,112,GS110,LS110, 111(Incl.Turbo)(*Super Saloon, Royal Saloon Custom Edition, Saloon Edition),RS110,(Excl.Van, Wagon & *mark)MS110G, LS110G,GS110G(Wagon)	F			159
		CROWN CROWN	75/01~79/08 79/09~87/09	MS87V MS117V,GS117V,LS117V(Van) GS126V,LS126V(Van)	F F			159 159
E3288	TOYOTA	CROWN	74/10~83/08	RS8,10,MS8,9,10,LS10 (Excl., Van,Incl.Diesel),RS8,10,MS8,9, 10,MS110,112,GS110,LS110, 111(Incl.Turbo)(*Super Saloon, Royal Saloon Custom Edition, Saloon Edition),RS110,(Excl.Van, Wagon & *mark)MS110G, LS110G,GS110G(Wagon)	R	161	002	159
E3344	ISUZU	ELF	80~84/05	TL34N(Flat Low Deck)	R	002	002	71

STOCK NO.

O.E.M. NO.

KIT

E3000 SERIES

STOCK NO.	TOKICO NO.	MANUFACTURER	VEHICLE	YEAR	MAKE & MODEL	VEHICLE POSITION	KIT NO.		REF PAGE
							UPPER	LOWER	
O.E.M. NO.	E3344	ISUZU	ELF150/LIGHT ELF	68~	KA20,40,50 KAG51ZVE(9-Seater Van)	R			71
			FARGO/MIDI/SETA	80~86/11	WFR10,11,12,50,51,53	R			72
			FARGO/MIDI/SETA	86/11~88/11	WFR10,11,12,50,51,53	R			72
			FARGO/MIDI/SETA	88/11~	WFR10,11,50,51,53(9800series 2WD)	R			72
			FASTER/RODEO/TROOPER/CAMBO/BRAVA	72~76/12	KB20	R			72
	MITSUBISHI	ROSA(MICRO BUS)	74~79/03	B200 All	R			100	
		ROSA(MICRO BUS)	79/02~	BE201D,211D,BH212F	R			100	
	KIT	NISSAN	ATLAS	82/02~	F22(Low Floor Model of Single Tire)	R			104
			CABSTAR/HOMER	78/04~81/12	F20 (Standard Low Floor Model)	R			106
			CARAVAN/HOMY	86/09~99/06	E24 Van All,	R			106
			CLIPPER	66~76/04	T65,D65 All (Single Tire, Excl.Bus)	R			108
			CLIPPER(LIGHT COACH MICRO BUS)	66~76/04	T40 Single Tire All(Excl.Bus)	R			109
JUNIOR			70~79/09	140,N140	R			110	
MILER			65~69	T440,T440A,T444	R			112	
TOYOTA	COASTER	77/08~82/04	BB1#,RB1#	F			146		
	COASTER	82/05~93/01	BB2#,3#,RB2#,HB3#,HDB3# HQB3#	R			146		
	DYNA	69/08~77/08	HU15	F			160		
	HI ACE(Incl.VAN,WAGON,COMMUTER)	79/12~	RH24,LH24(Double Tire)	R			163		
	HI ACE(Incl.VAN,WAGON,COMMUTER)	82/12~87/08	YH61V,62V,LH60V,61V(Van (Double Tire)	R			163		
	HILUX	68~78/07	RN10,13,15,16,RN2	R			164		
	HILUX	78/07~79/05	RN30,40	R			164		
	HILUX	79/05~80/08	RN30,33,4 ,LN30,40	R			164		
	HILUX	80/08~88/09	RN33,35,43,45,LN30,40,41	R			165		
	LAND CRUISER	69/03~71/04	FJ55	R			167		
	LAND CRUISER	69/03~75/01	FJ40,BJ40	R			168		
STOUT	79/03~86/03	RK101,111	R			174			
●E3353 (3353)	TOYOTA	CROWN	83/08~87/09	GS121,MS123,125(Excl.Height Leveling Type)	F	247	014	159	
		CROWN	83/08~87/09	GS120G,LS120G(Wagon) YS120,GS120,MS120,LS120 (Incl.Turbo,LPG)	F			159	
		CROWN	83/08~87/09	GS121,MS123,125(Height Leveling Type)	F			159	
		CROWN	85/10~87/09	YS120	F			159	
E3354	TOYOTA	CROWN	83/08~87/09	GS121,MS123,125(Excl.Height Leveling Type)	R	015	002	159	
		CROWN	87/09~95/08	GS131,LS131,MS135,JZS131 (Rear independent Axle)	R			159	
		CROWN	91/10~95/08	LS141JZS141/143(Rear; Independent Axle)	R			159	
●E3355 (3355)	TOYOTA	CROWN	83/08~87/09	GS120G,LS120G(Wagon) YS120,GS120,MS120,LS120 (Incl.Turbo,LPG)	R	232	002	159	
E3356	NISSAN	CEDRIC/GLORIA	83/06~87/05	Y30 All(Excl. Wagon, Van)	R	246	015	107	
E3365	TOYOTA	HI ACE(Incl.VAN,WAGON,COMMUTER)	84/01~89/08	YH61G,LH60G,61G(Wagon) YH50V,52V,61V,62V,71V,B, LH50V,51V,LH60V,B,61V,B,70V, B,71V,B (Van,Commuter) (Single Tire),YH61(WAGON), YH50,51,52,61,62,71(VAN, COMMUTER),LH51,61,71(VAN, COMMUTER),LH61,71(WAGON)	R	002	011	163	
		HI ACE(Incl.VAN,WAGON,COMMUTER)	86/08~87/08	LH56,66(4WD)	R			163	
		HI ACE(Incl.VAN,WAGON,COMMUTER)	87/08~89/08	LH56,LH66,LH66(4DOOR VAN DX)	R			163	
		HI ACE(Incl.VAN,WAGON,COMMUTER)	89/08~95/08	LH102,113,115,123,125 RZH102,112,122,124,125 LH110,120,140,RZH110,LH100, RZH100,101	R			163	
		HI ACE(Incl.VAN,WAGON,COMMUTER)	93/08~95/08	KZH100/101G,LH100/101G, RZH100/101G for Mexico	R			164	

E3000 SERIES

TOKICO NO.	MANUFACTURER	VEHICLE	YEAR	MAKE & MODEL	VEHICLE POSITION	KIT NO.		REF PAGE
						UPPER	LOWER	
E3373	TOYOTA	LAND CRUISER LAND CRUISER	84/11~87/08 86/07~	BJ70,70V,71V,73V,74V FJ75	F F	161	011	168 168
E3374	TOYOTA	LAND CRUISER	84/11~87/08	BJ70,70V,71V,73V,74V	R	011	011	168
E3375	TOYOTA	LAND CRUISER	84/11~87/08	FJ75,HJ75,FJ75	R	011	011	168
●E3383 (3383)	TOYOTA	CROWN	85/10~87/09	YS120	R	161	015	159
E3384	NISSAN	VANETTE(SUNNY/CHERRY/DATSUN)/NOMADO VANETTE(SUNNY/CHERRY/DATSUN)/NOMADO	85/09~90/07 85/09~90/07	C22,GC22 2WD All (Excl.1800 Turbo) C22,GC22 2WD All (Excl.1800 Turbo)	F F	015	002	121 121
E3388	TOYOTA	HILUX HILUX HILUX HILUX HILUX SURF/4-RUNNER LEXUS	85/08~98/07 88/08~97/08 89~ 97/08~ 89/08~95/11 98~	LN61V,YN61V,4WD,VAN,SURF RN106/135,LN/YN/RN107/ 110,LN108(4WD) Sports wagon LN160/3L LN165/170,RZN168/173 LN130,LN131,YN130,VZN130 (4WD) LEXUS 134W(910),134W ST11	F F F F F F F	157	015	165 165 165 165 166 166 171
E3392	TOYOTA	HI ACE(Incl.VAN,WAGON,COMMUTER) HI ACE(Incl.VAN,WAGON,COMMUTER) HI ACE(Incl.VAN,WAGON,COMMUTER) HI ACE(Incl.VAN,WAGON,COMMUTER) HI ACE(Incl.VAN,WAGON,COMMUTER) HI ACE(Incl.VAN,WAGON,COMMUTER) HI ACE(Incl.VAN,WAGON,COMMUTER) HI ACE(Incl.VAN,WAGON,COMMUTER) HI ACE(Incl.VAN,WAGON,COMMUTER) HI ACE(Incl.VAN,WAGON,COMMUTER)	82/12~84/01 82/12~85/06 84/01~89/08 85/06~87/08 82/12~87/08 85/08~87/08 85/08~87/08 85/08~87/08	YH50V,52V,61V,62V,71V,B,L, LH50V,51V,LH60V,B,61V,B,70V, B,71V,B (Van,Commuter) (Single Tire)YH61G,LH60G, 61G(Wagon) YH51G,LH50G,51G(Wagon) YH61G,LH60G,61G(Wagon) YH50V,52V,61V,62V,71V,B, LH50V,51V,LH60V,B,61V,B,70V, B,71V,B (Van,Commuter) (Single Tire),YH61(WAGON), YH50,51,52,61,62,71(VAN, COMMUTER),LH51,61,71(VAN, COMMUTER),LH61,71(WAGON) YH51G,LH50G,51G(Wagon) YH61V,62V,LH60V,61V(Van) (Double Tire) YH80,LH80(S Tire,Low Floor) YH80,LH80(S Tire,Just-Low) YH80,LH80(W Tire)	F F F F F F F F F	161	015	163 163 163 163 163 163 163 163
●E3394 (3394)	TOYOTA	LAND CRUISER	84/11~87/08	BJ70,LJ70,RJ70,LJ71G	RR	011	011	168
E3395	NISSAN	CEDRIC/GLORIA	87/06~91/05	Y31,***Incl.,Y31(LPG) Y31***Original TUJY31(Diesel)	R	246	015	107
E3397	MITSUBISHI	L300/DELICA L300/DELICA PAJERO/SHOGUN/MONTERO PAJERO/SHOGUN/MONTERO	86/06~89/01 89/02~ 83/01~91 88/11~91	LO3GG(4WD TRUCK) LO39G(4WD TRUCK) L041G,L042G,L043G,L044G, L046G,L047G,L048G,L049G L141G,L144G,L146G, L149G(Rear coil spring sus.)	F F F F	169	014	96 96 100 100
●E3401 (3401)	TOYOTA	LAND CRUISER	84/11~87/08	BJ70,LJ70,RJ70,LJ71G	RL	161	011	168
E3407	MITSUBISHI	CANTER CANTER CANTER CANTER CANTER	78/11~85/10 80/02~82/09 82/10~85/10 85/10~93/10 85/10~93/10	FE211,231,214,234 FE221 FE224 FE425 FE431,434,435,437,444,445 FE447,465,467	F F F F F	161	002	92 92 92 92 92
E3418	NISSAN	CARAVAN/HOMY CARAVAN/HOMY	86/09~99/06 86/09~99/06	E24 Van All, E24 Coach(Excl.Adjustable Type),Micro Bus	F F	161	015	106 106
E3419	TOYOTA	CROWN CROWN CROWN CROWN	87/09~95/08 87/09~91/09 87/09~91/09 91/10~95/08	GS131,LS131,MS135,JZS131 (Rear independent Axle) GS130,LS130,JZS130(Rear 4-link Rigid Axle incl. WAGON) GS130,LS130,MS130,YS130 GS136,LS136(VAN) LS141JZS141/143(Rear; Independent Axle)	F F F F	247	014	159 159 159 159

STOCK NO.

O.E.M. NO.

KIT

E3000 SERIES

TOKICO NO.	MANUFACTURER	VEHICLE	YEAR	MAKE & MODEL	VEHICLE POSITION	KIT NO.		REF PAGE
						UPPER	LOWER	
E3435	DAIHATSU	DELTA	70~77/08	DV21,23,26(M)(Mixer)	R	030	030	51
	ISUZU	RODEO BIG HORN/TROOPER			R			74
	NISSAN	CEDRIC/GLORIA	71~74	230,K230,N230,(Patrol) KH230,H230(2600) N230,W230(Wagon), 230(Standard),V230(Van)	R			106
			75~79/10	330,P330(SED),K330, KP330(Hardtop),N330,Q330, 330(Standard) R330(Diesel) V330(Van),VR330(Diesel Van) V430,VR430,VH430(Van)	R			106
		CEDRIC/GLORIA	79/06~83/05	W430,WH430(Wagon) V430,VR430	R			106
		CEDRIC/GLORIA	83/06~87/05	Y30(Wagon),Y30(LPG Wagon) Y30(LPG Van)	R			107
	TOYOTA	DYNA	79/10~84/08	RU20,22,BU20,21,22,23 (Just-Low,B Type w/cab Chassis), BU2 [Dump(3 Rotary)]	R			160
		TOYO ACE	80/04~85/07	JY30(Double Tire),BY30,31(Excl. Just-Low,Aluminum Panel Van)	R			176
		LAND CRUISER	69/03~84/10	FJ43,BJ43,FJ40,BJ40,BJ4 (Capacity:250,350kg) BJ41,V,42,V(Capacity:400kg) BJ44,V,46,V(Capacity:500kg)	R			167
		LAND CRUISER LAND CRUISER	71/04~80/08 80/08~87/08	FJ5 BJ60V,61V,HJ60V,61V BJ60V,61V,FJ60V,61V,62V , BJ61,HJ60,FJ62	R R			168 168
●E3436 (E3435)	ISUZU	RODEO BIG HORN/TROOPER			R	030	030	74
E3438	TOYOTA	KIJANG SUPER	77~		F	161	014	167
E3455	TOYOTA	KIJANG SUPER	77~		R	002	002	167
●E3472	TOYOTA	HI ACE(Incl.VAN,WAGON,COMMUTER)	84/08~85/08		R	002	011	163
●E3473 (3365) (E3365)	TOYOTA	HI ACE(Incl.VAN,WAGON,COMMUTER)	84/01~89/08	YH61G,LH60G,61G(Wagon) YH50V,52V,61V,62V,71V,B, LH50V,51V,LH60V,B,61V,B,70V, B,71V,B (Van,Commuter) (Single Tire),YH61(WAGON), YH50,51,52,61,62,71(VAN, COMMUTER),LH51,61,71(VAN, COMMUTER),LH61,71(WAGON)	R	002	011	163
E3474	NISSAN	TERRANO/PATH FINDER	87/10~93	WBVD21,WNYD21,WHYD21, VBVD21(Euro & N.America)	F	161	015	121
		TERRANO II/MISTRAL	93~	R20	F			121
	TOYOTA	HI ACE(Incl.VAN,WAGON,COMMUTER)	86/08~87/08	LH56,66(4WD)	F			163
		HI ACE(Incl.VAN,WAGON,COMMUTER)	87/08~89/08	LH56,LH66,LH66(4DOOR VAN DX)	F			163
		HI ACE(Incl.VAN,WAGON,COMMUTER)	87/08~89/08	YH57	F			163
		HI ACE(Incl.VAN,WAGON,COMMUTER)	89/08~92/05	LH109,119,129	F			163
		HI ACE(Incl.VAN,WAGON,COMMUTER)	89/08~95/08	LH107	F			163
HI ACE(Incl.VAN,WAGON,COMMUTER)	89/08~95/08	LH117(4WD WAGON)	F			163		
HI ACE(Incl.VAN,WAGON,COMMUTER)	95/08~	RCH18/19/28/29,LXH18/28, KCH16/46/47(4WD)	F			164		
E3495	ISUZU	RODEO BIG HORN/TROOPER	92~	UBS	R	015	011	74
E3496	ISUZU	RODEO BIG HORN/TROOPER	88/09~	UBS12,52(Heavy Duty Sus)	R	109	002	74
E3502	TOYOTA	HILUX SURF/4-RUNNER	89/08~95/11	LN130,LN131,YN130,VZN130 (4WD)	R	161	011	166
		LEXUS	98~	LEXUS 134W(910),134W ST11	R			171
E3518	ISUZU	RODEO BIG HORN/TROOPER	88/09~	UBS12,52(Heavy Duty Sus)	F	-	015	74
E3528	ISUZU	FASTER/RODEO/TROOPER/CAMBO/BRAVA	87~	TF940(2WD)	R	002	002	72
		FASTER/RODEO/TROOPER/CAMBO/BRAVA	87~	TF940(4WD)	R			72
E3560	MITSUBISHI	PAJERO/SHOGUN/MONTERO	91~99/08	V1#V/W,V3#V/W	F	169	015	100
		PAJERO/SHOGUN/MONTERO	91~99/08	V2#C/W,V4#W(Rear coil spring sus.)	F			100
		PAJERO SPORT/MONTERO SPORT/CHALLENGER	96/04~	K86W,K94W,K96W,K97W, K99W for General	F			100
		PAJERO SPORT/MONTERO SPORT/CHALLENGER	97/07~	K94W,K96W,K99W for North America	F			100

STOCK NO.

O.E.M NO.

KIT

E3000 SERIES

TOKICO NO.	MANUFACTURER	VEHICLE	YEAR	MAKE & MODEL	VEHICLE POSITION	KIT NO.		REF PAGE
						UPPER	LOWER	
E3560	MITSUBISHI	PAJERO SPORT/MONTERO SPORT/CHALLENGER	98/07~	K94W,K96W,K99W for Australia & New Zealand	F			100
		PAJERO SPORT/MONTERO SPORT/CHALLENGER	98/07~	K94W (2500D 4WD), K96W (3000 4WD) for EU	F			100
		PAJERO SPORT/MONTERO SPORT/CHALLENGER	98/05~99/05	K85W,K86W,K96W for General	F			100
		PAJERO SPORT/MONTERO SPORT/CHALLENGER	00/05~05/12	K96W for General	F			100
E3561	MITSUBISHI	PAJERO/SHOGUN/MONTERO	91~99/08	V2#C/W,V4#W(Rear coil spring sus.)	R	169	015	100
E3567	ISUZU	RODEO BIG HORN/TROOPER	91/11~	UBS69GW(Irmscher)	R	015	011	74
E3572	MAZDA	MAZDA FIGHTER(BT50)/FORD RANGER	02/06~06/02	J97 PT(4X4)	R	015	015	87
E3573	ISUZU	TRUCK		UC(CHINA)	F	237	015	75
E3574	ISUZU	TRUCK		UC(CHINA)	R	156	002	75
E3586	MAZDA	MAZDA FIGHTER(BT50)/FORD RANGER	02/06~06/02	J97 PT(4X4)	F	157	015	87
E3594	MITSUBISHI	L200/FORTE/TRITON	96/01~	K66T(3.0 V6.2WD)	F	303	015	95
		L200/FORTE/TRITON	96/01~	K74T,K75T(4WD),K76T(3.0 4WD),K77T(2.8D 4WD)	F			95
E3599	TOYOTA	HILUX VIGO/FORTUNER	04/08~	FORTUNER 4WD,TGN51	R	-	011	167
E3636	NISSAN	VANETTE(SUNNY/CHERRY/DATSUN)/NOMADO	86/11~93/04	C22,GC, 4WD All	F	003	003	121
E3708	ISUZU	RODEO BIG HORN/TROOPER	92~	UBS	F	286	015	74
E3721	TOYOTA	LAND CRUISER	90~96	RJ70,73,LJ70,73 KZJ70,73 KZJ71,78 LX	F	015	161	169
		LAND CRUISER	90~96	RJ70,73,LJ70,73 KZJ70,73	F			169
		LAND CRUISER	90/01~96/04	RJ70/73,LJ70/73/77, KZJ70/73/77	F			170
E3735	ISUZU	RODEO BIG HORN/TROOPER	91/11~	UBS69DW,UBS25DWC(Irmscher)	F	-	015	74
		RODEO BIG HORN/TROOPER	91/11~	UBS69GW(Irmscher)	F			74
		RODEO BIG HORN/TROOPER	98/02~	UBS26/73,V6-3.5/3.0D, 4WD Wagon	F			74
E3740	TOYOTA	HILUX SURF/4-RUNNER	95/11~02/11	2WD:210,180 4WD:215,185,130 LN185W,KZN185W,RZN185W, VZN185W	R	161	011	166
		LAND CRUISER	96/04~02/10	KZJ90/VZJ90/VZJ95	R			169
		LAND CRUISER PRADO	96/04~02/08	KZJ90/95,VZJ90/95	R			170
E3760	MAZDA	MAZDA 6/ATENZA	02/05~03/04	GG3S(2000) 2WD GY3W(2300) 2WD Excl Self-Leveling Rear Sus.	R	011	011	87
		MAZDA 6/ATENZA	03/05~	GG3S(2000) 2WD GY3W(2300) 2WD Excl Self-Leveling Rear Sus.	R			87
		MAZDA 6/ATENZA	02/05~	GG3S,2000/GY3W,2300 (2WD) with Heightening Road Clearance Excl Self-Leveling Rear Sus.	R			87
E3775	TOYOTA	HILUX VIGO/FORTUNER	04/08~	HILUX VIGO 2WD	R	011	011	166
E3777	ISUZU	D-MAX/RODEO/TFR/TFS	02~	TFSR(D/EL3)Series 2WD ALL	R	022	022	70
		D-MAX/RODEO/TFR/TFS	02~	TFR(D/EL3)Series 2WD without High RideSuspension ALL	R			70
E3778	ISUZU	D-MAX/RODEO/TFR/TFS	02~	TFS(D/ER3)Series 4WD ALL	F	326	015	70
		D-MAX/RODEO/TFR/TFS	02~	TFR(D/EL3)Series 2WD with High RideSuspension ALL	F			70
E3779	ISUZU	D-MAX/RODEO/TFR/TFS	02~	TFS(D/ER3)Series 4WD ALL	R	002	002	70
		D-MAX/RODEO/TFR/TFS	02~	TFR(D/EL3)Series 2WD with High RideSuspension ALL	R			70
E3788	MAZDA	MPV/MAZDA 8	05/12~	LY3P(2300)	R	-	015	88
		MPV/MAZDA 8	05/12~	LY3P(2300)2WD&4WD DSC Type	R			88
E3789	MAZDA	CX-9	07~	(3.5L)	R	-	015	83
E3790	MAZDA	TRIBUTE/FORD ESCAPE/FORD MAVERICK	00/11~05/10	EPEW,EPFW(LX)	R	-	015	89
		TRIBUTE/FORD ESCAPE/FORD MAVERICK	00/11~05/10	EPFW	R			89
		TRIBUTE/FORD ESCAPE/FORD MAVERICK	00/11~05/10	EP3W,EPFW(4WD)	R			89
E3792	NISSAN	LARGO	93/05~96/10	NW30,VNW30(4WD)	R	011	015	111
E3793	ISUZU	RODEO BIG HORN/TROOPER	98/02~	UBS26/73,V6-3.5/3.0D, 4WD Wagon	R	015	011	74
E3796	TOYOTA	KIJANG INNOVA	04~		R	319		167
E3802	DAIHATSU	TARUNA	99~		R			54
E3803	TOYOTA	COMMUTER	05/01~	KDH2##,LH2##,TRH2##ALL	F			147
E3804	TOYOTA	COMMUTER	05/01~	KDH2##,LH2##,TRH2##ALL	R			147

STOCK NO.

O.E.M. NO.

KIT

E3000 SERIES

TOKICO NO.	MANUFACTURER	VEHICLE	YEAR	MAKE & MODEL	VEHICLE POSITION	KIT NO.		REF PAGE
						UPPER	LOWER	
E3810	TOYOTA	HILUX SURF/4-RUNNER	02/11~	GRN210/215,KZN215, 4WD Wagon	R	-	015	166
		LAND CRUISER PRADO	02/09~	GRJ/KZJ/LJ/RZJ125(4WD)	R			170
E3811	TOYOTA	LAND CRUISER PRADO	02/09~	GRJ/KZJ/LJ/RZJ120(4WD)	R	-	015	170
E3815	NISSAN	NAVARA	07~	X61B S/CAB 4X2	R	015	015	112
		NAVARA	07~	X61B K/CAB 4X2	R			112
		NAVARA	07~	X61B D/CAB 4X2(Low)	R			112
		NAVARA	07~	X61B D/CAB 4X2(High)	R			112
E3816	NISSAN	NAVARA	07~	X61B S/CAB 4X4	R	015	015	112
		NAVARA	07~	X61B K/CAB 4X4	R			112
		NAVARA	07~	X61B D/CAB 4X4	R			112
		NAVARA	07~	X61B D/CAB 4X4 GCC Model	R			112
E3817	NISSAN	NAVARA	07~	X61B S/CAB 4X2 GCC Model	R	015	015	112
		NAVARA	07~	X61B D/CAB 4X2 GCC Model	R			112
E3824	TOYOTA	RAV-4	05/11~	ACA 3#	R	015	015	173

STOCK NO.

O.E.M NO.

KIT

E4000 SERIES

TOKICO NO.	MANUFACTURER	VEHICLE	YEAR	MAKE & MODEL	VEHICLE POSITION	KIT NO.		REF PAGE
						UPPER	LOWER	
E4057	TOYOTA	LAND CRUISER	91/08~	FJ80	F	280	280	169
		LAND CRUISER	90/01~92/01	FJ80,HDJ80,HZJ80 Without 5.50FX15 or 7JX15 Disc Wheel	F			169
E4058	TOYOTA	LAND CRUISER	91/08~	FJ80	R	280	011	169
		LAND CRUISER	90/01~92/01	FJ80,HDJ80,HZJ80 Without 5.50FX15 or 7JX15 Disc Wheel	R			169
		LAND CRUISER	92/01~98/01	FJ80,HDJ80,HZJ80 incl. 5.50FX15 or 7JX15 Disc Wheel	RL			169
E4083	TOYOTA	LAND CRUISER	91/08~	FJ80	F	280	280	169
		LAND CRUISER	90/01~92/01	FJ80,HDJ80,HZJ80 With 5.50FX15 or 7JX15 Disc Wheel or With Sand Tire	F			169
E4084	TOYOTA	LAND CRUISER	91/08~	FJ80	R	280	011	169
		LAND CRUISER	90/01~92/01	FJ80,HDJ80,HZJ80 With 5.50FX15 or 7JX15 Disc Wheel or With Sand Tire	R			169
E4088	TOYOTA	LAND CRUISER	90~96	RJ70,73,LJ70,73 KZJ70,73	R	011	161	169
E4096	TOYOTA	LAND CRUISER	92/08~98/01	HZJ81	F	280	280	169
		LAND CRUISER	96/05~98/01	FJ80	F			169
		LAND CRUISER	92/01~98/01	FJ80,HDJ80,HZJ80 incl. 5.50FX15 or 7JX15 Disc Wheel	F			169
		LAND CRUISER	91/08~96/07	PZJ7#	F			169
		LAND CRUISER	91/08~99/08	HZJ73	F			169
		LAND CRUISER	91/08~96/08	HZJ77	F			169
		LAND CRUISER	96/08~99/08	HZJ77	F			169
		LAND CRUISER	93/05~99/08	HZJ70	F			169
		LAND CRUISER	98/01~	FZJ/HZJ105;Rigid Front Axle	F			170
E4097	TOYOTA	LAND CRUISER	96/05~98/01	FJ80	R	280	011	169
		LAND CRUISER	92/01~98/01	FJ80,HDJ80,HZJ80 incl. 5.50FX15 or 7JX15 Disc Wheel	RR			169
		LAND CRUISER	98/01~	FZJ/HZJ105;Rigid Front Axle	R			170
E4098	TOYOTA	LAND CRUISER	90~96	RJ70,73,LJ70,73 KZJ70,73	R	011	161	169
		LAND CRUISER	92/08~98/01	KZJ71,78 LX	R			169
E4106	MAZDA	MPV/MAZDA 8	99/08~	LW(2000,2500)4WD,2WD	R	-	-	88
		MPV/MAZDA 8	02/03~	LW(2300/2000DITD)	R			88
E4107	MAZDA	BONGO/FRIENDEE/ FORD FRED A	95~03	GAS/DIESEL 2.0,2.5	R	015	015	82
E4108	TOYOTA	LAND CRUISER	98/01~02/06	FZJ/HDJ/UZJ100;independent Front Axle,Excl Active Height Control	F	320	015	169
		LAND CRUISER	04/11~	100# Exc.AHC JAPAN/USA Model Regular Model	F			170
		LAND CRUISER	04/11~	100 Exc.AHC JAPAN/USA Model Hard SUS. Model	F			170
E4109	TOYOTA	LAND CRUISER	98/01~02/06	FZJ/HDJ/UZJ100;independent Front Axle,Excl Active Height Control	RR	321	015	169
		LAND CRUISER	04/11~	100# Exc.AHC JAPAN/USA Model Regular Model	R			170
E4110	TOYOTA	LAND CRUISER	98/01~02/06	FZJ/HDJ/UZJ100;independent Front Axle,Excl Active Height Control	RL	321	015	169
		LAND CRUISER	04/11~	100 Exc.AHC JAPAN/USA Model Hard SUS. Model	R			170
E4111	FORD	EVEREST	03/04~06/02	J90F,J90U(U268)	R	015	015	56
E4118	TOYOTA	LAND CRUISER	99/08~01/08	HZJ78	R	011	011	170
E4119	TOYOTA	LAND CRUISER	99/08~01/08	HZJ79	R	011	011	170
E4120	TOYOTA	LAND CRUISER	99/08~01/08	HZJ78	F	280	280	170

STOCK NO.

O.E.M. NO.

KIT

E4000 SERIES

TOKICO NO.	MANUFACTURER	VEHICLE	YEAR	MAKE & MODEL	VEHICLE POSITION	KIT NO.		REF PAGE
						UPPER	LOWER	
E4120	TOYOTA	LAND CRUISER	99/08~01/08	HZJ79	F			170
		LAND CRUISER	99/08~04/01	HZJ76	F			170
		LAND CRUISER	99/08~04/08	HZJ71,HZJ74	F			170
E4121	MAZDA	MAZDA FIGHTER(BT50)/FORD RANGER	06/03~	J97 MU(4X2)	F	-	015	87
E4122	MAZDA	MAZDA FIGHTER(BT50)/FORD RANGER	06/03~	J97 MU(4X2)	R	015	015	87
E4123	FORD	EVEREST	03/04~06/02	J90F,J90U(U268)	F	-	015	56
		EVEREST	07/11~	J90F,J90U(U268)	F			56
E4124	FORD	EVEREST	06/03~07/10	J97MU4X4,J90U(U268)4X4	F	-	015	56
	MAZDA	MAZDA FIGHTER(BT50)/FORD RANGER	06/03~	J97 MU(4X4) J90U(U268)(4X4)	F			87
E4125	FORD	EVEREST	06/03~07/10	J97MU4X4,J90U(U268)4X4	R	015	015	56
	MAZDA	MAZDA FIGHTER(BT50)/FORD RANGER	06/03~	J97 MU(4X4) J90U(U268)(4X4)	R			87
E4126	FORD	EVEREST	07/11~	J90F,J90U(U268)	R	015	015	56
E4129	TOYOTA	LAND CRUISER	87/08~90/01	FJ62(IV4),FJ62,HJ61(VX)	RR	011	011	168
E4130	TOYOTA	LAND CRUISER	87/08~90/01	FJ62(IV4),FJ62,HJ61(VX)	RL	011	011	168
E4131	TOYOTA	LAND CRUISER	99/08~04/08	HZJ71,HZJ74	R	011	011	170
E4132	TOYOTA	LAND CRUISER	99/08~04/01	HZJ76	R	011	011	170
E4133	TOYOTA	LAND CRUISER	07/09~09/05	UZJ200	R	321	015	170

STOCK NO.

O.E.M NO.

KIT

EL2000 SERIES

TOKICO NO.	MANUFACTURER	VEHICLE	YEAR	MAKE & MODEL	VEHICLE POSITION	KIT NO.		REF PAGE	
						UPPER	LOWER		
●EL2006 (E2006)	MITSUBISHI	LANCER/LANCER EX	79/04~80/01	A172(1400)	R	015	015	98	
		LANCER/LANCER EX	79/04~80/01	A174(1600)	R			98	
●EL2012 (E2012)	MITSUBISHI	GALANT LAMBDA	80/05~83/10	A163(2000),A167(2300)	R	015	015	93	
		GALANT LAMBDA	80/05~83/10	A162(1800)	R			93	
		GALANT LAMBDA ETERNA	80/05~82/08	A162(1800)	R			94	
		GALANT LAMBDA ETERNA	80/05~82/08	A163(2000),A167(2300)	R			94	
		GALANT/MAGNA/SIGMA	80/05~83/07	A161(1600),A162(1800) (Incl.Turbo)	R			95	
		GALANT/MAGNA/SIGMA	80/05~83/07	A163(2000),A167(1800) (Incl.Turbo)	R			95	
●EL2092 (2092)	TOYOTA	CORONA	61~66	RT26G,46G	F	104	014	152	
		CORONA	64~69	PT46V,47V,RT46V(Van) PT46, 47(Pick Up)	F			153	
		CORONA	64~73/07	RT40,50~6,80~2,84,RT90,91, 93,94 RT80~84(Incl. SL), RT90~95(Incl.SL)	F			153	
		CORONA	70~73/07	RT86V~88V(VAN),PT86(VAN)	F			153	
		CORONA	73/08~78	TT100 ,110 ,RT100~4, RT110 ,TT120 ,RT122~3	F			153	
		CORONA	73/08~78/08	RT106V,108V,TT106V(Van)	F			153	
		CRESSIDA/MARK II /CHASER/CRESTA	68~71/12	RT78L-KA	F			157	
		CRESSIDA/MARK II /CHASER/CRESTA	68~71/12	RT76,77,78(SW),RT6,RT7(Incl. SL,GSL,GSS)	F			157	
		CRESSIDA/MARK II /CHASER/CRESTA	68/09~76/11	RT66V,69V(Van) RT67V,68V (Van Deluxe),RX26~28, MX27(Wagon),RX16V,17V(Van)	F			157	
		CRESSIDA/MARK II /CHASER/CRESTA	72/01~76/11	RX10/20 SL,GSL,GSS Excl VAN,WAGON	F			157	
LIGHT ACE	70/11~79/09	KM10,11	F			171			
STOUT	63~69	RK40,RK43(LIGHT STOUT)	F			174			
●EL2130 (2130)	MAZDA	PROCEED	65~71	BUD(1500)	R	104	104	88	
		PROCEED	71/03~77/04	BNA(1600)	R			88	
●EL2204 (2204) (E2693)	ISUZU	FASTER/RODEO/TROOPER/CAMBO/BRAVA	72~76/12	KB20	F	104	015	72	
		FASTER/RODEO/TROOPER/CAMBO/BRAVA	77/01~79/12	KB20	F			72	
		FASTER/RODEO/TROOPER/CAMBO/BRAVA	79/05~80/10	KBD40(4WD)	F			72	
		FASTER/RODEO/TROOPER/CAMBO/BRAVA	79/12~80/10	KB20	F			72	
		FASTER/RODEO/TROOPER/CAMBO/BRAVA	79/12~80/10	KB25	F			72	
		FASTER/RODEO/TROOPER/CAMBO/BRAVA	80/10~	KBD41(4WD),46(4WD)	F			72	
●EL2220 (2220)	NISSAN	CARAVAN/HOMY	73/03~78/08	E20 All	R	002	161	106	
		CARAVAN/HOMY	78/04~80/08	E20 All	R			106	
		CARAVAN/HOMY	80/08~86/08	E23 All	R			106	
		DATSUN TRUCK/DATSUN PICKUP	71~79/08	620(Truck, Van, Custom Model) (Incl. Flat Floor Truck)	R			109	
		DATSUN TRUCK/DATSUN PICKUP	79/09~85/07	720 All(Excl.4WD)	R			109	
		DATSUN TRUCK/DATSUN PICKUP	80/04~81/12	720 (4WD)	R			109	
●EL2242 (2504)	MITSUBISHI	LANCER CELESTE	75/10~81	A71,73,142,143,144,146	R	002	002	96	
		LANCER/LANCER EX	72~76/11	A72(1400),A75(1200),A71(1200)	R			98	
		LANCER/LANCER EX	72~76/11	A73(1600)	R			98	
		LANCER/LANCER EX	76/12~79/04	A72(1400),A75(1200), A141(1200),A143(1400)	R			98	
		LANCER/LANCER EX	76/12~79/04	A73(1600),A144(1600)	R			98	
●EL2254 (2254)	DAIHATSU	DELTA 750	79/10~82/09	KD20(Double Tire)	R	002	002	52	
		TAFT	74/08~78/08	F10,20,50,60	F			54	
	MITSUBISHI	L300/DELICA	68~79/06	T100,T120 All(Truck, Van) T100V,T120V,T120	R			95	
		NISSAN	SERENA	92/07~96/05	C23(BUILT IN SPAIN)Rear Rigid Axle	R			115
			SUZUKI	JIMNY	71~81	LJ20,SJ10/SJ20	R		
TOYOTA	BLIZZARD	80/03~84/05	LD10V	F			140		
●EL2278 (E2291)	MAZDA	LUCE/RX-4/929	72~79/01	LA2V,LA22S,LA33S,LA3V LA22W,LA33W	R	156	157	86	

STOCK NO.

O.E.M. NO.

KIT

EL2000 SERIES

TOKICO NO.	MANUFACTURER	VEHICLE	YEAR	MAKE & MODEL	VEHICLE POSITION	KIT NO.		REF PAGE				
						UPPER	LOWER					
●EL2316 (2316) (E2316)	MAZDA	CAPELLA/616	78/10~79/05	CB2	R	156	002	82				
		CAPELLA/616	79/02~80/02	CB2VS	R			82				
		CAPELLA/616	79/05~83/09	CB2	R			82				
		CAPELLA/616	80/02~83/09	CB2VS(TAXI)	R			82				
		LUCE/RX-4/929	77/10~79/10	LA4VS,LA42S,LA43S	R			86				
		LUCE/RX-4/929	79/10~81/07	LA4MS,LA4VS,LA43S, LA4SS(Diesel)	R			86				
		LUCE/RX-4/929	81/10~	HBPH8,HBPH8,HBPS2 (Diesel,Incl.),HBEJ,HBEP, HBPS2(Diesel),HBEP	R			86				
●EL2325 (2497) (E2325)	TOYOTA	CARINA	77/08~85/08	TA40,41,42,45,46,47,RA40,45,46 AA60,AA60G,SA60 SED Coupe CA60	R	225	002	144				
		CARINA	85/08~88/04	SA60 SED Coupe,AA60,AA60G	R			144				
		CELICA	77/08~80/07	TA40,45,RA40,RA45 (GT,GTV,GTR) 13inch Tire TA41,42,46,RA40,46(ET,LT,XT, ST,SE) ,TA47 TA45,RA45(13inch Tire), TA41,46,47,RA46,SA60	R			145				
		CELICA	78/04~85/07	TA40,45,RA40,RA45(GT,GTV, GTR) 14inch Tire,MA45,46(XX Model) TA64	R			145				
		CELICA	84/01~85/07	SA60	R			146				
		CELICA CAMRY	80/01~82/02	TA4	R			146				
		CORONA	78/09~81/12	TT131,RT133(SL,CXS),TT130	R			153				
		CORONA	78/09~81/12	TT131,RT133(SL,CXS),TT132, RT132	R			153				
		CORONA	82/01~83/10	CT140(GX,EX Saloon)	R			153				
		CORONA	82/01~85/08	AT140,ST140 CT140(GX,EX Saloon),AT140	R			153				
		CORONA	82/01~	C/T140(STD)	R			153				
		CORONA	85/08~87/12	ST140	R			153				
		CORONA	85/08~87/12	AT140	R			153				
		CORONA	86/12~	CT141	R			154				
		CRESSIDA/MARK II/CHASER/CRESTA	80/11~82/08	GX60(Wagon)	R			157				
		CRESSIDA/MARK II/CHASER/CRESTA	82/08~84/07	GX60(Wagon)	R			158				
		●EL2479 (2280) (E2479)	MITSUBISHI	GALANT LAMBDA	76/12~80/05			A123(2000),A123(2000GSR), A133(Excl.2000GL)	R	015	002	93
				GALANT LAMBDA	79/05~83/10			A135(2600)	R			93
GALANT LAMBDA	76/12~80/05			A121(1600SL),A131(1600SL) A133(2000GL)	R	93						
GALANT LAMBDA	76/12~78/03			A121(1600GS)	R	93						
GALANT LAMBDA ETERNA	78/03~80/05			A131(1600)	R	94						
GALANT LAMBDA ETERNA	78/03~80/05			A133(2000)	R	94						
GALANT/MAGNA/SIGMA	76/05~80/05			A123(2000),A121(1600),A131 A122(1850),A132(1850),A133	R	94						
GALANT/MAGNA/SIGMA	77/08~80/05			A133(2000 Super Saloon) A123(2000GSR)	R	94						
GALANT SIGMA ETERNA	78/03~80/05			A131(1600),A133(2000 Excl. Super Saloon)	R	94						
GALANT SIGMA ETERNA	79/03~80/05			A133(2000 Super Saloon)	R	94						
●EL2483 (2483)	TOYOTA	CARINA	81/09~85/07	TA61,63,AA63,RA63	R	161	002	144				
		CELICA	81/07~85/07	TA61,63,64,RA63,AA63	R			145				
		CELICA	81/07~85/12	GA61(XX2000,L,S,G),MA61 (XX2800),MA63(XX2000Turbo) GA61(XX2000,GT)	R			145				
		CELICA	82/08~83/08	GA61(XX2000,GT)	R			146				
		CELICA CAMRY	80/08~82/02	TA57,RA55,56	R			146				
		CORONA	82/01~83/10	TT142	R			153				
		CORONA	83/10~85/08	AT141,TT142	R			153				
		CRESSIDA/MARK II/CHASER/CRESTA	76/12~80/08	RX31,41,MX31,33,41,43,TX30, 40,RX30,40,MX30,40,LX40	R			157				
		CRESSIDA/MARK II/CHASER/CRESTA	80/09~82/08	GX61,MX61,63(GRANDE) TX60,RX60,GX60(SED),LX60	R			157				

STOCK NO.

O.E.M NO.

KIT

EL2000 SERIES

TOKICO NO.	MANUFACTURER	VEHICLE	YEAR	MAKE & MODEL	VEHICLE POSITION	KIT NO.		REF PAGE	
						UPPER	LOWER		
●EL2483 (2483)	TOYOTA	CRESSIDA/MARK II/CHASER/CRESTA	80/09~84/07	RX63,GX61,MX61 (GRANDE,Excl.Hard Sus.)LX65 SX60,LX60	R			157	
		CRESSIDA/MARK II/CHASER/CRESTA	82/08~84/07	GX61(GRANDE,Hard Sus.) Twincam	R			158	
		CRESSIDA/MARK II/CHASER/CRESTA	84/08~88/08	SX70(All),YX70,72,LX70	R			158	
●EL2566 (2219) (2566) (E2566)	NISSAN	DATSUN TRUCK/DATSUN PICKUP	71~79/08	620(Truck, Van, Custom Model) (Incl.Flat Floor Truck)	F	161	015	109	
		DATSUN TRUCK/DATSUN PICKUP	71~79/08	N620(Pickup)	F			109	
		DATSUN TRUCK/DATSUN PICKUP	79/09~85/07	720 All(Excl.4WD)	F			109	
		DATSUN TRUCK/DATSUN PICKUP	80/04~81/12	720 (4WD)	F			109	
		DATSUN TRUCK/DATSUN PICKUP	82/01~85/07	720 (4WD)	F			110	
●EL2572 (2572) (E2572)	TOYOTA	COROLLA/SPRINTER	79/03~83/05	KE70,AE70	R	161	002	147	
		COROLLA/SPRINTER	79/03~85/04	TE70,71,CE70 AE85(LEVIN,TRUENO)	R			147	
		COROLLA/SPRINTER	85/05~87/04	AE85(LEVIN,TRUENO)	R			148	
●EL2616 (2285)	ISUZU	GEMINI	74~87/01	PF50,60,PF60	F	104	015	73	
		GEMINI	79/11~87/01	PF60(ZZT,ZZL,ZZR,ZZT)	F			73	
●EL2617 (2284)	ISUZU	GEMINI	74~87/01	PF50,60,PF60	R	104	015	73	
		GEMINI	79/11~87/01	PF60(ZZT,ZZL,ZZR,ZZT)	R			73	
●EL2618 (2618) (E2618)	ISUZU	FASTER/RODEO/TROOPER/CAMBO/BRAVA HIGHPACK VAN	80/10~ 83/01~	KBD21,26 UFR52G	F F	104	015	72 73	
		●EL2619 (2619) (2692) (E2619)	ISUZU	FASTER/RODEO/TROOPER/CAMBO/BRAVA FASTER/RODEO/TROOPER/CAMBO/BRAVA RODEO BIG HORN/TROOPER	80/10~ 80/10~ 81/09~	KBD21,26 KBD41(4WD),46(4WD) UBS52	R R RL	002	002
TOYOTA	TOWN ACE			79/11~82/10	RR11,21(Just-Low)	R			175
●EL2726 (2726) (E2726)	TOYOTA			HILUX	83/11~88/09	LN50,51,55,56,YN51,56	F	172	014
		HILUX	88/09~	LN80,85,YN80,85	F			165	
●EL2751 (2751)	ISUZU	ASKA	83/04~90	JJ110,JJ120(Turbo)	R	256	015	70	
		ASKA	85/06~90	JJ110,JJ510,120(LT,LJ,LX,LF, LS/J)	R			70	
		ASKA	85/06~90	JJ120(Excl LS)	R			70	
●EL2771 (2771) (E2771)	TOYOTA	HILUX	83/11~88/09	LN50,51,55,56,YN51,56	R	002	002	165	
●EL2865 (2865) (E2914)	ISUZU	RODEO BIG HORN/TROOPER	88/04~		F	161	015	74	
●EL2888 (2946)	TOYOTA	HILUX		RN135 4WD	R	011	011	166	
		HILUX		RN135	R			166	

STOCK NO.

O.E.M. NO.

KIT

EL3000 SERIES

TOKICO NO.	MANUFACTURER	VEHICLE	YEAR	MAKE & MODEL	VEHICLE POSITION	KIT NO.		REF PAGE
						UPPER	LOWER	
●EL3037 (3037) (E3435)	DAIHATSU NISSAN	DELTA	70~77/08	DV21,23,26(M)(Mixer)	R	002	002	51
		CEDRIC/GLORIA	71~74	230,K230,N230,(Patrol) KH230,H230(2600) N230,W230(Wagon), 230(Standard),V230(Van)	R			106
		CEDRIC/GLORIA	75~79/10	330,P330(SED),K330, KP330(Hardtop),N330,Q330, 330(Standard) R330(Diesel) V330(Van),VR330(Diesel Van) V430,VR430,VH430(Van)	R			106
		CEDRIC/GLORIA	79/06~83/05	W430,WH430(Wagon) V430,VR430	R			106
	CEDRIC/GLORIA	83/06~87/05	Y30(Wagon),Y30(LPG Wagon) Y30(LPG Van)	R			107	
	TOYOTA	DYNA	79/10~84/08	RU20,22,BU20,21,22,23 (Just-Low,B Type w/cab Chassis), BU2 [Dump(3 Rotary)]	R			160
		TOYO ACE	80/04~85/07	JY30(Double Tire),BY30,31(Excl. Just-Low,Aluminum Panel Van)	R			176
		LAND CRUISER	69/03~84/10	FJ43,BJ43,FJ40,BJ40,BJ4 (Capacity:250,350kg) BJ41,V,42,V(Capacity:400kg) BJ44,V,46,V(Capacity:500kg)	R			167
		LAND CRUISER LAND CRUISER	71/04~80/08 80/08~87/08	FJ5 BJ60V,61V,HJ60V,61V BJ60V,61V,FJ60V,61V,62V , BJ61,HJ60,FJ62	R R			168 168
	●EL3124 (3124)	NISSAN	PATROL/SAFARI	71~79/09	60,VG60	F	161	156
●EL3165 (3165)	ISUZU	ELF	70~84/05	TL-10,20,30(TL-20,1970-74) TL34(Flat Low Deck),KT15A,16A, 24A,25A(Flat Low),TL40,50,70	R	011	011	70
		ELF	70~84/05	KS(ELF350),KS,KT,(Excl.15A, 16A,24A,25A,26A,Flat Low)	R			71
		ELF(4WD)	87/12~	NPS58,59	R			71
		ELF250 WIDE.350 JOURNEY(LIGHT BUS)	84/06~ 72/10~80/01	NPR57,59,NPR57,58,59(W Tire) BL,BE(Deluxe w/Air Conditioner)	R R			71 73
●EL3169 (3169)	ISUZU	ELF	74~84/05	TL-20,TL23N,24N,34N(Flat Low Deck), TL-20(Excl.Flat Low Deck) TL23N,24N,34N(Flat Low Deck) TL23N,24N(Flat Low Deck)	F	161	002	70
		ELF	70~84/05	TL-10,20,30(TL-20,1970-74) TL34(Flat Low Deck),KT15A,16A, 24A,25A(Flat Low),TL40,50,70	F			70
		ELF	70~84/05	TL-60	F			70
		ELF	70~81/09	TL40,50,70	F			71
		ELF	80~84/05	TL34N(Flat Low Deck)	F			71
		ELF	82/06~84/05	KT26A(Flat Low)	F			71
		ELF(4WD)	87/09~	NKS58***Damp	F			71
		ELF(4WD)	87/09~	NKS58***Excl.Damp	F			71
		ELF150	84/06~97	NHR54,55	F			71
		ELF150/LIGHT ELF	68~	KA20,40,50 KAG51ZVE(9-Seater Van)	F			71
		ELF150/LIGHT ELF	72~84/05	KA41,KA51,KAG41,KAG51,V, KAD41,KAD51,V,(Incl.Flat Low. Excl.Flat Low Van),KA41V, 51V(Van),KAD42,52(Excl.Bus) KA51NV,52NV(Flat Low Van)	F			71
		ELF150/LIGHT ELF	81~82	KAG51ZVE	F			71
		ELF250	84/06~	NKR55,57(Double Tire***E4,Less than 2.6m Wheelbase Excl.2.46m)	F			71
		ELF250	84/06~	NKR55,57(Single Tire,E1 Flat Low Bias ,Double Tire***E3(1.75t,2t)	F			71
ELF250	84/06~	NKR55,57(Double Tire*** Wheelbase 2.46m),E2(2.25t,2.75t)	F			71		
JOURNEY(LIGHT BUS)	72~	KA41,42,51,52	F			73		

STOCK NO.

O.E.M NO.

KIT

EL3000 SERIES

TOKICO NO.	MANUFACTURER	VEHICLE	YEAR	MAKE & MODEL	VEHICLE POSITION	KIT NO.		REF PAGE
						UPPER	LOWER	
●EL3178 (3178) (E3178)	TOYOTA	COASTER	67~72/01	RU18,JU18	F	002	002	146
		COASTER	72/02~77/07	RU19,BU19	F			146
		DYNA	69/02~77/08	RU1,JU1,RU15,JU15(Single Tire),RU10,BU10,JU10(Single Tire),RU12 ,JU12 ,BU12,BU15	F			160
		DYNA	70/05~77/08	RU15,JU15(Double Tire)	F			160
		DYNA	79/10~84/08	RU10,BU10,JU10(Double Tire) RU2,3,BU2,3,JU20(Single Tire) RU3,BU3,HU30(Double Tire), RU20,22,BU20,21,22,23,25 [Double Tire,Excl,Just-Low, B Type w/Cab Chassis,Dump (3 Rotary)] BU40,41,45,46,50, 51,HU26,40,50 WU26,40,50	R			160
		DYNA	84/09~95/05	YU60,BU60,61,BU62 (Excl. 2.75t),(Double Tire),YU60,70V, BU60,61,62,D,H,70V (Single Tire)	R			160
		TOYO ACE	80/09~85/07	BY30,31(Just-Low,Aluminum Panel Van),JY30(Single Tire)	R			176
		HI ACE(Incl.VAN,WAGON,COMMUTER)	67~82/12	PHI Seires with single tire	R			162
		HI ACE(Incl.VAN,WAGON,COMMUTER)	82/12~84/01	YH50V,52V,61V,62V,71V,B,L, LH50V,51V,LH60V,B,61V,B,70V, B,71V,B (Van,Commuter) (Single Tire)YH61G,LH60G, 61G(Wagon)	R			163
		LAND CRUISER	69/03~84/10	FJ43,BJ43,FJ40,BJ40,BJ4 (Capacity:250,350kg) BJ41 ,V,42,V(Capacity:400kg) BJ44 ,V,46,V(Capacity:500kg)	F			167
LAND CRUISER	69/03~75/01	FJ40,BJ40	F	168				
●EL3279 (3279) (E3279)	NISSAN	CEDRIC/GLORIA	75~79/10	330,P330(SED),K330, KP330(Hardtop),N330,Q330, 330(Standard) R330(Diesel) V330(Van),VR330(Diesel Van) V430,VR430,VH430(Van)	F	231	014	106
		CEDRIC/GLORIA	79/06~83/05	430,P430,N430,H430,R430, S430,430(LPG),430(Turbo) 430,P430,N430,H430,R430, S430	F			106
		CEDRIC/GLORIA	79/06~83/05	W430,WH430(Wagon) V430,VR430	F			106
●EL3280 (3280) (E3280)	NISSAN	CEDRIC/GLORIA	79/06~83/05	430,P430,N430,H430,R430, S430,430(LPG),430(Turbo) 430,P430,N430,H430,R430, S430	R	231	015	106
●EL3313 (3313)	TOYOTA	LAND CRUISER	80/08~87/08	BJ60V,61V,HJ60V,61V BJ60V,61V,FJ60V,61V,62V , BJ61,HJ60,FJ62	F	161	011	168
●EL3314 (3037)	TOYOTA	LAND CRUISER	85~	BJ60,FJ60	R	002	002	168
●EL3343 (2515)	TOYOTA	HILUX	79/05~80/08	RN30,33,4 ,LN30,40	F	172	014	164
		HILUX	80/08~88/09	RN33,35,43,45,LN30,40,41	F			165
●EL3344 (2518) (3068) (E3344)	ISUZU	ELF	80~84/05	TL34N(Flat Low Deck)	R	002	002	71
		ELF150/LIGHT ELF	68~	KA20,40,50 KAG51ZVE(9-Seater Van)	R			71
		FARGO/MIDI/SETA	80~86/11	WFR10,11,12,50,51,53	R			72
		FASTER/RODEO/TROOPER/CAMBO/BRAVA	72~76/12	KB20	R			72
	MITSUBISHI	ROSA(MICRO BUS)	74~79/03	B200 All	R			100
		ROSA(MICRO BUS)	79/02~	BE201D,211D,BH212F	R			100
	NISSAN	ATLAS	82/02~	F22(Low Floor Model of Single Tire)	R			104
		CABSTAR/HOMER	78/04~81/12	F20 (Standard Low Floor Model)	R			106
		CARAVAN/HOMY	86/09~99/06	E24 Van All,	R			106
		CLIPPER	66~76/04	T65,D65 All (Single Tire, Excl.Bus) T40 Single Tire All(Excl.Bus)	R			108
CLIPPER(LIGHT COACH MICRO BUS)	66~76/04	T654,B657,B664,T40,B658	R			109		

STOCK NO.

O.E.M NO.

KIT

EL3000 SERIES

TOKICO NO.	MANUFACTURER	VEHICLE	YEAR	MAKE & MODEL	VEHICLE POSITION	KIT NO.		REF PAGE
						UPPER	LOWER	
●EL3344 (2518) (3068) (E3344)	NISSAN	JUNIOR MILER	70~79/09	140,N140	R			110
			65~69	T440,T440A,T444	R			112
	TOYOTA	COASTER COASTER COASTER DYNA HI ACE(Incl.VAN,WAGON,COMMUTER) HI ACE(Incl.VAN,WAGON,COMMUTER) HILUX HILUX HILUX HILUX LAND CRUISER LAND CRUISER STOUT	77/08~82/04	BB1#,RB1#	F			146
			82/05~93/01	BB2#,3#,RB2#,HB3#,HDB3# HZB3#	R			146
			88/08~92/12	BB24,HB32,HDB20,31,HZB31	R			146
			69/08~77/08	HU15	F			160
			79/12~	RH24,LH24(Double Tire)	R			163
			82/12~87/08	YH61V,62V,LH60V,61V(Van) (Double Tire)	R			163
			68~78/07	RN10,13,15,16,RN2	R			164
			78/07~79/05	RN30,40	R			164
			79/05~80/08	RN30,33,4 ,LN30,40	R			164
			80/08~88/09	RN33,35,43,45,LN30,40,41	R			165
			69/03~71/04	FJ55	R			167
			69/03~75/01	FJ40,BJ40	R			168
			79/03~86/03	RK101,111	R			174
●EL3345	NISSAN	PATROL/SAFARI	71~79/09	60,VG60	R			112
●EL3356 (3356) (E3356)	NISSAN	CEDRIC/GLORIA	83/06~87/05	Y30 All(Excl. Wagon, Van)	R	246	015	107
●EL3373 (3373) (E3373)	TOYOTA	LAND CRUISER	84/11~87/08	BJ70,70V,71V,73V,74V	F	161	011	168
●EL3418 (3418) (E3418)	NISSAN	CARAVAN/HOMY CARAVAN/HOMY	86/09~99/06	E24 Van All,	F	161	015	106
			86/09~99/06	E24 Coach(Excl.Adjustable Type),Micro Bus	F			106
●EL3531 (3388) (E3388)	TOYOTA	HILUX	89~	Sports wagon	F	157	015	165
●EL3740 (E3740)	TOYOTA	LAND CRUISER	96/04~02/10	KZJ90/VZJ90/VZJ95	R	161	011	169

STOCK NO.

O.E.M. NO.

KIT

G1000 SERIES

TOKICO NO.	MANUFACTURER	VEHICLE	YEAR	MAKE & MODEL	VEHICLE POSITION	KIT NO.		REF PAGE
						UPPER	LOWER	
●G1112 (1112)	NISSAN	SUNNY/SENTRA	73~77/10	B210,211	R	165	015	118
		SUNNY/SENTRA	73~77/10	B210,B211	R			118
●G1113	NISSAN	SUNNY/SENTRA	73~77/10	B21(EXCELLENT Coupe),B211	R	101	001	118
●G1122	MAZDA	SAVANNA/RX-3/GRAND FAMILIA/808	71~78	S102,S124,M102,MTC SN3,SN4,SU4,MU4 All,STC (Excl.GT,Van,Wagon)	R	205	015	89
●G1132 (E1132)	TOYOTA	STARLET	78/02~84/10	KP61	R	161	002	173
●G1138 (1138)	NISSAN	SUNNY/SENTRA	77/11~81/09	B310(Excl.GX)	R	214	015	118
		SUNNY/SENTRA	77/11~81/09	B310(1400,1500)	R			118

STOCK NO.

O.E.M. NO.

KIT

G2000 SERIES

TOKICO NO.	MANUFACTURER	VEHICLE	YEAR	MAKE & MODEL	VEHICLE POSITION	KIT NO.		REF PAGE
						UPPER	LOWER	
●G2185 (3155)	NISSAN	BLUEBIRD	67/08~70/07	510,P510	R	142	002	104
		BLUEBIRD	70/07~71/05	V510,W510,P510,N510	R			104
		BLUEBIRD	71/05~73/03	510,N510,P510,H510	R			105
		LAUREL	68~71	C30	R			111
		LAUREL	70/06~72/04	C30(Hard Top)	R			111
●G2199	NISSAN	BLUEBIRD	71~75	610 All (Excl.W/E Model Van,Wagon 2000GT)	R	142	002	104
		BLUEBIRD	75~76/06	610 All(Excl. V,2000GT)	R			105
		STANZA/AUSTER/VIOLET	72~77/04	P710,711 (IRS Suspension) (Coil Spring)	R			116
●G2202	TOYOTA	CARINA	70/10~77/08	TA10,12,15,17(DLX,SDX,ST) RA11,13,15,TA12(GT) TA17(SR,GT),TA18,3 (SR)RA17 TA14,18,3 ,RA10,14,16,31 (Excl.SR)	R	161	002	144
		CELICA	75/10~77/08	RA2 All,TA2 ,TA35,RA35	R			145
●G2207 (2207)	TOYOTA	COROLLA/SPRINTER	70/05~74/03	KE20,25,TE20,25,TE25X(SR)	R	015	002	147
		COROLLA/SPRINTER	72~74/03	TE27(LEVIN,TRUENO)	R			147
		STARLET	73~78/01	KP40,42,45,47,51 All	R			173
●G2235 (2206)	NISSAN	STANZA/AUSTER/VIOLET	72~76	710,711 (Rigid Suspension) (Leaf Spring)	R	142	002	115
●G2276 (2276)	MAZDA	SAVANNA/RX-3/GRAND FAMILIA/808	72~78	S102,M102(Van,Wagon)MTC, STC(Van)	R	156	156	89
●G2283	NISSAN	STANZA/AUSTER/VIOLET	76~77/04	710,711 (Rigid Suspension) (Leaf Spring)	R	190	002	116
●G2287	NISSAN	BLUEBIRD	76/07~77/09	J810,D811,(Excl.SSS) (Leaf Spring Model)	R	211	015	105
●G2291 (E2291)	MAZDA	LUCE/RX-4/929	72~79/01	LA2V,LA22S,LA33S,LA3V LA22W,LA33W	R	156	161	86
		LUCE/RX-4/929	79/02~	LA4MV(Van),LA4SV(Diesel Van)	R			86
●G2293	NISSAN	STANZA/AUSTER/VIOLET	77/05~81/06	A10,A11	R	214	015	116
●G2299 (2020)	TOYOTA	COROLLA/SPRINTER	74/04~79/02	TE30,31,35,37,4,5,6 (Excl.SR,LEVIN TRUENO,GT,LB) TE50,56,60,66(Excl.SR,LB)	R	104	002	147
		COROLLA/SPRINTER	74/04~79/02	KE30,35,40,50,60(Excl.SR, LEVIN TRUENO,GT,LB),KE5,6 (Incl.SR,Excl.LEVIN,TRUENO, GT,LB),KE55,65(Incl.SR,Excl.LB)	R			147
●G2315 (2276)	TOYOTA	CORONA	73/08~78	TT100,110,RT100~4, RT110,TT120,RT122~3	R	161	002	153
●G2321 (2483)	TOYOTA	CARINA	81/09~85/07	TA61,63,AA63,RA63	R	161	002	144

STOCK NO.

O.E.M. NO.

KIT

G3000 SERIES

TOKICO NO.	MANUFACTURER	VEHICLE	YEAR	MAKE & MODEL	VEHICLE POSITION	KIT NO.		REF PAGE
						UPPER	LOWER	
●G3193 (E3120)	NISSAN	CEDRIC/GLORIA	71~74	230,K230,N230,(Patrol) KH230,H230(2600) N230,W230(Wagon), 230(Standard),V230(Van)	F	169	014	106
●G3208 (3151) (E3287)	TOYOTA	CROWN	71/02~75/11	RS80,MS80 MS60,62,65,7 ,RS60	F	161	014	158
		CROWN	74/10~83/08	RS8,10,MS8,9,10,LS10 (Excl., Van,Incl.Diesel),RS8,10,MS8,9, 10,MS110,112,GS110,LS110, 111(Incl.Turbo)(*Super Saloon, Royal Saloon Custom Edition, Saloon Edition),RS110,(Excl.Van, Wagon & *mark)MS110G, LS110G,GS110G(Wagon)	F			159
		CROWN	75/01~79/08	MS87V	F			159
●G3209 (E3205)	TOYOTA	CROWN	71/02~75/11	RS80,MS80 MS60,62,65,7 ,RS60	R	014	002	158
●G3224	NISSAN	BLUEBIRD	71~76/06	610 W/E Model 610(2000GT,GTX) (Excl.GFTK,KGFTK)	R	142	002	104
		STANZA/AUSTER/VIOLET	72~77/04	P710(SSS),KP710(SSSHardtop)	R			116
●G3252 (3252) (E3288)	TOYOTA	CROWN	74/10~83/08	RS8,10,MS8,9,10,LS10 (Excl., Van,Incl.Diesel),RS8,10,MS8,9, 10,MS110,112,GS110,LS110, 111(Incl.Turbo)(*Super Saloon, Royal Saloon Custom Edition, Saloon Edition),RS110,(Excl.Van, Wagon & *mark)MS110G, LS110G,GS110G(Wagon)	R	161	002	159

STOCK NO.

O.E.M NO.

KIT

Q1000 SERIES

TOKICO NO.	MANUFACTURER	VEHICLE	YEAR	MAKE & MODEL	VEHICLE POSITION	KIT NO.		REF PAGE
						UPPER	LOWER	
Q1164	NISSAN	MARCH/MICRA	82/10~92/11	K10 All	R	250	015	112

STOCK NO.

O.E.M. NO.

KIT

Q2000 SERIES

TOKICO NO.	MANUFACTURER	VEHICLE	YEAR	MAKE & MODEL	VEHICLE POSITION	KIT NO.		REF PAGE
						UPPER	LOWER	
Q2689	HONDA	PRELUDE	82/11~87/03	AB-100,110,125,129 •••Excl.XC,XJ BA1-100,104	F	245	-	68
Q2731	MITSUBISHI	GALANT/MAGNA/SIGMA	83/08~87	E13,E14,E15,E17	R	-	015	95
		GALANT/MAGNA/SIGMA	87/08~92	E31A,E32A,E33A,E34A,E35A (2WD)	R			95
		GALANT SIGMA ETERNA	83/08~87	E15 ALL,E17 Excl.Air sus	R			94
Q2781	HONDA	ACCORD	85/06~89/08	CA1-100,106,120,CA5-100 CA2-100,106,120,CA3-100, 106,120 CA5(2.0SS,2.0GXL)	FR	245	-	62
		ACCORD AERODECK	85/06~89/08	CA1,CA2	FR			63
		ACCORD COUPE	88/04~89/12	CA6-100	FR			63
		PRELUDE	87/04~91/08	BA-100,110(Excl.Si) BA5-100 BA4-110(Si) BA5-110(XX,Si)	FR			68
		VIGOR	85/06~89/12	CA1-100,106,120,CA2-100, 106,120,CA3-100,106,120, CA5-100	FR			68
Q2782	HONDA	ACCORD	85/06~89/08	CA1-100,106,120,CA5-100 CA2-100,106,120,CA3-100, 106,120 CA5(2.0SS,2.0GXL)	FL	245	-	62
		ACCORD AERODECK	85/06~89/08	CA1,CA2	FL			63
		ACCORD COUPE	88/04~89/12	CA6-100	FL			63
		PRELUDE	87/04~91/08	BA-100,110(Excl.Si) BA5-100 BA4-110(Si) BA5-110(XX,Si)	FL			68
		VIGOR	85/06~89/12	CA1-100,106,120,CA2-100, 106,120,CA3-100,106,120, CA5-100	FL			68
Q2783	HONDA	ACCORD	85/06~89/08	CA1-100,106,120,CA5-100 CA2-100,106,120,CA3-100, 106,120 CA5(2.0SS,2.0GXL)	R	264	-	62
		ACCORD AERODECK	85/06~89/08	CA1,CA2	R			63
		ACCORD COUPE	88/04~89/12	CA6-100	R			63
		VIGOR	85/06~89/12	CA1-100,106,120,CA2-100, 106,120,CA3-100,106,120, CA5-100	R			68
Q2878	MITSUBISHI	ECLIPSE	89/09~92/06	D27A ALL	R	-	015	93
		GALANT/MAGNA/SIGMA	88/02~92	E37A,E38A,E39A (,4WD incl 4WS w/o ABS)	R			95
		GALANT/MAGNA/SIGMA	88/02~90/05	E37A,E38A,E39A (,4WD incl 4WS with ABS)	R			95
		GALANT/MAGNA/SIGMA	90/06~92	E37A,E38A,E39A (,4WD incl 4WS with ABS)	R			95
Q2947	MITSUBISHI	LANCER/COLT/MIRAGE	91/08~96	CA#A,CB#A,CC#A,CD#A with High Ground,Clearance Sus.	R	-	015	97
		LANCER/LANCER CEDIA	92/08~	CB2A,CB4A	R			98
		LANCER/LANCER CEDIA	92/08~	CB5A	R			98
		LANCER (MADE IN THAILAND ONLY)	96~99	CK2A, 1500 MADE IN THAILAND	R			96
		LANCER (MADE IN THAILAND ONLY)	96~99	CK5A, 1800 MADE IN THAILAND	R			96
Q2948	MITSUBISHI	LANCER MIRAGE HATCHBACK	87/09~92	C51A,C52A,C52A(SWIFT), C53A(TURBO),C54A,C58A,C61A, C62A,C63A,C64A,C65A,C68A	R	-	015	96
		MIRAGE HATCHBACK	87/09~92	C51A,C52A,C52A(SWIFT),C53A (TURBO),C54A,C58A,C61A, C62A,C63A,C64A,C65A,C68A	R			99
		MIRAGE SEDAN	87/12~92	C61A,C62A,C64A	R			99
Q2957	MITSUBISHI	LANCER/COLT/MIRAGE	91/08~96	CA#A,CB#A,CC#A,CD#A	R	-	015	96
		LANCER/COLT/MIRAGE	91/08~96	CA#A,CB#A,CC#A,CD#A	R			97
		LANCER/COLT/MIRAGE	91/08~96	CA4/5A,CB4/5A,CC4/5A, CD4/5A	R			97
		LANCER/COLT/MIRAGE	94/09~96	CA#A,CB#A,CC#A	R			97
		LANCER/COLT/MIRAGE	94/09~96	CA#A,CB#A,CC#A	R			97
		LANCER/COLT/MIRAGE	94/09~96	CA#A,CB#A,CC#A	R			97
		LANCER/COLT/MIRAGE	95/08~97/03	CJ#A,CK#A,CM#A	R			97
		LANCER/COLT/MIRAGE	95/08~00/09	CM#A	R			97
		LANCER/COLT/MIRAGE	97/04~00/09	CJ#A,CK#A,CM#A	R			97
		LANCER/COLT/MIRAGE	97/04~00/09	CJ#A,CK#A,CM#A	R			97
	PROTON	WIRA/PERSONA/SATRIA(400)	93~95	C96,C97	R			128

STOCK NO.

O.E.M NO.

KIT

Q2000 SERIES

TOKICO NO.	MANUFACTURER	VEHICLE	YEAR	MAKE & MODEL	VEHICLE POSITION	KIT NO.		REF PAGE
						UPPER	LOWER	
Q2957	PROTON	WIRA/PERSONA/SATRIA(300/400)	95/12~	C96,C97	R			128
		PERSONA/SATRIA(300/400/COUPE)	95/12~	C95,C98,C99	R			128
Q2958	MITSUBISHI	GALANT	92/02~96	EA#A,E64A,E75A,E8#A	R	-	015	93

STOCK NO.

O.E.M NO.

KIT

Q3000 SERIES

TOKICO NO.	MANUFACTURER	VEHICLE	YEAR	MAKE & MODEL	VEHICLE POSITION	KIT NO.		REF PAGE
						UPPER	LOWER	
●Q3357 (U2622)	NISSAN	BLUEBIRD	79/10~85/01	PJ910,EJ910(Diesel)	R	211	015	105
Q3423	TOYOTA	CRESSIDA/MARK II/CHASER/CRESTA	88/08~96/08	LX80,LX80Y,SX80,YX80,YX80Y	R	-	015	158
Q3590	MITSUBISHI	GALANT	92/02~96	EA#A,E64A,E75A,E8#A	F	-	-	93
		GALANT/LEGNUM	96/10~02/09	EA#A/W(2WD) incl.Estate	F			94

STOCK NO.

O.E.M NO.

KIT

S1000 SERIES

TOKICO NO.	MANUFACTURER	VEHICLE	YEAR	MAKE & MODEL	VEHICLE POSITION	REF PAGE
S1005	DAIHATSU	CONSORTE	72~	EP30,EP31,EP50	F	51
	TOYOTA	PUBLICA	69/11~79/07	KP36,37(Truck)	F	172
		PUBLICA	72/01~78	KP30,31,50 (Incl.XL)	F	172
		PUBLICA	72/01~78/09	KP36V,KP37V(Van)	F	172
		PUBLICA	79/07~	KP38,39(Truck)	F	172
●S1006	DAIHATSU	CONSORTE	73~	EP45,EP47,EP51	F	51
	TOYOTA	STARLET	73~78/01	KP40,42,45,47,51 All	F	173
S1009	MAZDA	LUCE/RX-4/929	72~79/01	LA2V,LA22S,LA33S,LA3V LA22W,LA33W	F	86
S1010	DAIHATSU	CHARMANT	74~79/07	A10,A20,A30,A40(Excl.Van)	F	50
		CHARMANT	74/11~79/08	A10V,20V(Van)	F	50
		CHARMANT	79/07~81/09	A40(Excl.Sporty Custo,Van) A30(Excl.Van)	F	50
		CHARMANT	79/07~81/09	A40Sporty Custom(Excl.Van)	F	50
		CHARMANT	79/08~81/09	A30V,40V(VAN)	F	50
	TOYOTA	COROLLA/SPRINTER	70/05~74/03	KE20,25,TE20,25,TE25X(SR)	F	147
		COROLLA/SPRINTER	70/05~74/03	KE26V(Van),KE20,25,TE20,25, TE25X	F	147
		COROLLA/SPRINTER	74/04~79/02	KE30,35,40,50,60(Excl.SR, LEVIN TRUENO,GT,LB),KE5,6 (Incl.SR,Excl.LEVIN,TRUENO, GT,LB),KE55,65(Incl.SR,Excl.LB)	F	147
		COROLLA/SPRINTER	74/04~79/08	KE36V(Van)	F	147
		COROLLA/SPRINTER	77/03~79/02	KE5,KE6(LB)	F	147
S1012	MITSUBISHI	LANCER/LANCER EX	72~76/11	A71V(1200Van),A72V(1400Van)	F	98
		LANCER/LANCER EX	72~76/11	A72(1400),A75(1200),A71(1200)	F	98
S1028	MAZDA	SAVANNA/RX-3/GRAND FAMILIA/808	71~78	S102,S124,M102,MTC SN3,SN4,SU4,MU4 All,STC (Excl.GT,Van,Wagon)	F	89
		SAVANNA/RX-3/GRAND FAMILIA/808	72~78	S102,M102(Van,Wagon)MTC, STC(Van)	F	89
●S1032	MAZDA	FAMILIA/323	77/01~79/05	FA4 ,FA5	F	83
		FAMILIA/323	78/05~79/08	FA4 (Van)	F	83
●S1034	SUZUKI	CARRY	72~76	L50,L51	F	134
S1036	MITSUBISHI	LANCER/LANCER EX	76/12~79/04	A42V(1400Van),A75V(1200Van)	F	98
		LANCER/LANCER EX	76/12~79/04	A72(1400),A75(1200), A141(1200),A143(1400)	F	98
		LANCER/LANCER EX	79/04~	A141V,142V,148V,149V(Van)	F	98
S1037	MAZDA	LUCE/RX-4/929	77/10~79/10	LA4VS,LA42S,LA43S	F	86
S1041	NISSAN	SUNNY/SENTRA	70~73	B110	F	118
		SUNNY/SENTRA	70~73	B110(Coupe)	F	118
		SUNNY/SENTRA	70~82/09	B110,B210,B310,B311,B312	F	118
		SUNNY/SENTRA	73~77/10	B210,211	F	118
		SUNNY/SENTRA	73~77/10	B210,211,B211(Coupe)	F	118
		SUNNY/SENTRA	77/11~81/09	B310(Excl.GX)	F	118
		SUNNY TRUCK	75/10~89/10	B120,121,122,GB120,121,122	F	117
S1045	TOYOTA	STARLET	78/02~84/10	KP61	F	173
		STARLET	78/10~84/10	KP61V(Van),KP62V(Van)	F	173
●S1046	NISSAN	PULSAR/LANGLEY	78/10~82/04	VN10,11,HVN10,11,VUN10, VMN10(Van)	F	113
S1052	TOYOTA	TERCEL/CORSA	78/08~82/05	AL10,11,12	F	174
●S1054	SUZUKI	CARRY	76/09~79/04	ST20 (Incl.Van)	F	134
S1061	MAZDA	FAMILIA/323	79/05~80/05	FA4 ,FA5	F	83
		FAMILIA/323	79/08~	FA4 (Van)	F	83
S1062	MITSUBISHI	LANCER/LANCER EX	79/04~80/01	A172(1400)	F	98
		LANCER/LANCER EX	80/02~86/12	A171(1200),A172(1400)	F	98
S1064	MAZDA	CAPELLA/616	78/10~79/05	CB2	F	82
		CAPELLA/616	79/05~83/09	CB2	F	82
S1065	DAIHATSU	CHARMANT	81/10~83/08	A35,A55	F	50
	TOYOTA	COROLLA/SPRINTER	79/03~83/05	KE70,AE70	F	147
		COROLLA/SPRINTER	79/08~83/08	KE71V,KE72V,74V(Van) KE73G,CE72G(Wagon)	F	147
S1066	SUBARU	SUBARU1300/1600/1800(RHD)	80/09~	4-Door SED DL,GLF Hardtop•GLF,Station Wagon 2WD	F	130
S1080	SUZUKI	CARRY	79/05~81/05	ST30V	F	134
		CARRY	79/05~81/05	ST30	F	134
		CARRY	81/06~85/03	ST30/40/90	F	134
S1081	TOYOTA	TERCEL/CORSA/COROLLA II	82/05~86/05	AL20,21	F	174

STOCK NO.

O.E.M NO.

KIT

S1000 SERIES

TOKICO NO.	MANUFACTURER	VEHICLE	YEAR	MAKE & MODEL	VEHICLE POSITION	REF PAGE
S1082	TOYOTA	CARINA(FF)	84/05~88/04	AT150,AT151(SG)	F	145
		COROLLA/SPRINTER	83/05~85/04	AE80,81,82	F	147
		COROLLA/SPRINTER	85/05~87/04	AE81(5-door),AE82(Excl.GT) EE80,AE81(4-door)	F	148
		CORONA(FF)	83/10~87/11	AT150	F	154
S1087	TOYOTA	SPRINTER CARIB	82/08~84/08	AL25G	F	173
		TERCEL/CORSA/COROLLA II	84/08~86/04	AL25(4WD)	F	174
		TERCEL/CORSA/COROLLA II	86/05~88/05	AL25(Excl.SX,VS)	F	174
S1088	TOYOTA	STARLET	84/10~89/12	EP71,EP76V(Van) NP70,NP76V*** (Diesel, Van)	F	173
		STARLET	87/12~89/12	EP71	F	174
S1089	NISSAN	BLUEBIRD	83/10~86/10	U11(Wagon)	R	105
S1096	SUZUKI	CARRY	81/06~85/03	ST30(~Chassis No427000) ST40(~Chassis No230000) ST90	F	134
		CARRY	81/06~85/03	ST40V(~Chassis No893000) ST30V ST90V	F	134
S1098	NISSAN	STANZA/AUSTER/VIOLET	85/10~90/04	T12***Vi,Mi,Xi,Si	R	116
S1103	NISSAN	BLUEBIRD	83/10~87/08	U11	R	105
		BLUEBIRD	83/10~87/08	U11(L,LX,SLX,SLXG)	R	105
		BLUEBIRD	83/10~87/08	U11	R	105
S1111	DAIHATSU	HIJET	86/05~90/04	S80V(ATRAI LX,ATRAI EX)	F	53
		HIJET	86/05~90/04	S80V(STD,SDX,G,GX,HCT) ***Excl.Low Floor Van	F	53
		HIJET	86/05~90/04	S80V(STD,SDX,G,GX,HCT) ***Low Floor Van	F	53
●S1112	DAIHATSU	HIJET	86/05~87/02	S80P,S80C	F	53
S1117	SUZUKI	CARRY	84/01~85/03	ST30(Chassis No427001~),	F	135
		CARRY	84~88	ST-100 ST40(Chassis No230001~)	F	135
S1118	MITSUBISHI	COLT	91~	T120SS	F	93
	SUZUKI	FUTURA	91~		F	136
S1119	DAIHATSU	ESPASS	95~	S-91	F	52

STOCK NO.

O.E.M. NO.

KIT

S3000 SERIES

TOKICO NO.	MANUFACTURER	VEHICLE	YEAR	MAKE & MODEL	VEHICLE POSITION	REF PAGE
●S3001	NISSAN	BLUEBIRD	70/07~71/05	V510,W510,P510,N510	F	104
S3002	NISSAN	BLUEBIRD	67/08~70/07	510,P510	F	104
		BLUEBIRD	76/06~79/09	J810(Van)	F	105
		BLUEBIRD	76/07~77/09	J810,D811,(Excl.SSS) (Leaf Spring Model)	F	105
		BLUEBIRD	76/07~79/09	P810,G810,P811,G811,810SSS (Incl. Long Nose Model) (Coil Spring Model)	F	105
		BLUEBIRD	77/10~79/09	J810,D811,J811 (Excl.SSS)(Coil Spring Model)	F	105
		LAUREL	68~71	C30	F	111
		LAUREL	72/04~76/12	C130,131	F	111
		LAUREL	72/04~76/12	C230,231	F	111
		LAUREL	77/01~80/10	C230,231	F	111
		LAUREL	80/11~84/09	C31 All(Incl. Turbo ,Excl.Medalist)	F	111
		SUNNY/SENTRA	71~73	B110(Excellent)	F	118
		SUNNY/SENTRA	71~73	B110(Excellent Coupe)	F	118
		S3003	NISSAN	BLUEBIRD	71~75	610 All (Excl.W/E Model Van,Wagon 2000GT)
BLUEBIRD	71~76/06			610 W/E Model 610(2000GT,GTX) (Excl.GFTK,KGFTK)	F	104
BLUEBIRD	71~76/06			610(Van,Wagon)	F	105
BLUEBIRD	71/05~73			V510,W510,P510,N510	F	105
BLUEBIRD	71/05~73/03			510,N510,P510,H510	F	105
BLUEBIRD	72~73/03			P510,N510	F	105
BLUEBIRD	75~76/06			610 All(Excl. V,2000GT)	F	105
LAUREL	70/06~72/04			C30(Hard Top)	F	111
STANZA/AUSTER/VIOLET	72~76			710 ,711 (Rigid Suspension) (Leaf Spring)	F	115
STANZA/AUSTER/VIOLET	72~77/04			P710(SSS),KP710(SSSHardtop)	F	116
STANZA/AUSTER/VIOLET	72~77/04			P710 ,711 (IRS Suspension) (Coil Spring)	F	116
STANZA/AUSTER/VIOLET	73~77/04			VJ710(Van)	F	116
STANZA/AUSTER/VIOLET	76~77/04			710 ,711 (Rigid Suspension) (Leaf Spring)	F	116
S3006	MITSUBISHI	COLT GALANT	69~77	A51,52,53,54 A53H(Hardtop)A61~63(FTO) A55C(GTO),A57C(2000SL), A112,114,115 All(Excl.Van)	F	93
		COLT GALANT	69~73	A51V,52V,53V,54V	F	93
		COLT GALANT	70~77	A53CGS,CGR,A55CKG, A57C(2000GSR) A63NGW	F	93
		COLT GALANT	74~77	A112V(Van)	F	93
		GALANT LAMBDA	76/12~80/05	A121(1600SL),A131(1600SL) A133(2000GL)	F	93
		GALANT LAMBDA ETERNA	78/03~80/05	A131(1600)	F	94
		GALANT/MAGNA/SIGMA	76/05~80/05	A123(2000),A121(1600),A131 A122(1850),A132(1850),A133	F	94
		GALANT SIGMA ETERNA	78/03~80/05	A131(1600),A133(2000 Excl. Super Saloon)	F	94
		LANCER CELESTE	75/10~81	A71,73,142,143,144,146	F	96
		LANCER/LANCER EX	76/12~79/04	A73(1600),A144(1600)	F	98
		LANCER/LANCER EX	79/04~80/01	A174(1600)	F	98
		LANCER/LANCER EX	80/02~86/12	A171,A172(Heavy Duty),A174 (1600),A175(1800 Excl. Turbo)	F	99
		LANCER/LANCER EX	81/11~83/10	A175A(GT Turbo,GSR Turbo)	F	99
S3007	TOYOTA	CARINA	70/10~77/08	TA10,12,15,17(DLX,SDX,ST) RA11,13,15,TA12(GT) TA17(SR,GT),TA18,3 (SR)RA17 TA14,18,3 ,RA10,14,16,31 (Excl.SR)	F	144
		CARINA	77/08~85/08	TA40,41,42,45,46,47,RA40,45,46 AA60,AA60G,SA60 SED Coupe CA60	F	144
		CARINA	81/09~85/08	TA67V,CA67V	F	144
		CARINA	82/02~85/08	SA60G	F	144

STOCK NO.

O.E.M. NO.

KIT

S3000 SERIES

TOKICO NO.	MANUFACTURER	VEHICLE	YEAR	MAKE & MODEL	VEHICLE POSITION	REF PAGE
S3007	TOYOTA	CELICA	75/10~77/08	RA2 All,TA2 ,TA35,RA35	F	145
		CELICA	77/08~80/07	TA40,45,RA40,RA45 (GT,GTV,GTR) 13inch Tire TA41,42,46,RA40,46(ET,LT,XT, ST,SE) ,TA47 TA45,RA45(13inch Tire), TA41,46,47,RA46,SA60	F	145
		CELICA	84/01~85/07	SA60	F	146
		CELICA CAMRY	80/01~82/02	TA4	F	146
		COROLLA/SPRINTER	72~74/03	TE27(LEVIN,TRUENO)	F	147
		CORONA	78/09~81/12	TT131,RT133(SL,CXS),TT130	F	153
		CORONA	78/09~81/12	TT137V,138V,RT137V(Van)	F	153
		CORONA	82/01~83/10	CT140(GX,EX Saloon)	F	153
		CORONA	82/01~83/10	TT147V(Van)	F	153
		CORONA	82/01~85/08	AT140,ST140 CT140(GX,EX Saloon),AT140	F	153
		CORONA	83/10~85/08	KT147V,CT174V***Van	F	153
		S3008	NISSAN	BLUEBIRD	79/10~83/09	J910,J910(GF,GL), J910(5-transmission,AT) J910***Van
BLUEBIRD	79/10~83/09			J910***Van	F	105
SUNNY/SENTRA	73~77/10			B210,B211	F	118
SUNNY/SENTRA	73~77/10			B21(EXCELLENT Coupe),B211	F	118
STANZA/AUSTER/VIOLET	77/05~81/06			A10,A11	F	116
STANZA/AUSTER/VIOLET	77/05~81/06			VA10,11(Van)	F	116
●S3009	●MITSUBISHI	LANCER/LANCER EX	72~76/11	A73(1600)	F	98
S3014	DAIHATSU	CHARMANT	83/08~88	A35,45,60	F	50
		TOYOTA	CELICA CAMRY	80/08~82/02	TA57,RA55,56	F
	TOYOTA	COROLLA/SPRINTER	74/04~79/02	TE30,31,35,37,4,5,6 (Excl.SR,LEVIN TRUENO,GT,LB) TE50,56,60,66(Excl.SR,LB)	F	147
	TOYOTA	COROLLA/SPRINTER	74/04~79/08	TE36V(Van)	F	147
	TOYOTA	COROLLA/SPRINTER	77/01~79/02	TE51,52,56,61,62,66(SR,LEVIN TRUENO,GT),TE5,TE6(LB), TE55,65,TE56(SR),TE66(SR)	F	147
	TOYOTA	COROLLA/SPRINTER	79/08~85/04	KE72V,TE73V,74V,CE71V(Van) KE73G,CE72G(Wagon)	F	147
	TOYOTA	COROLLA/SPRINTER	79/03~85/04	TE70,71,CE70 AE85(LEVIN,TRUENO)	F	147
	TOYOTA	COROLLA/SPRINTER	83/05~85/04	AE86(LEVIN,TRUENO)	F	147
	TOYOTA	CORONA	78/09~81/12	TT131,RT133(SL,CXS),TT132, RT132	F	153
	TOYOTA	CORONA	83/10~85/08	AT141,TT142	F	153
S3031	TOYOTA	CRESSIDA/MARK II/CHASER/CRESTA	76/12~80/08	MX35,45(Wagon)	F	157
		CRESSIDA/MARK II/CHASER/CRESTA	76/12~80/08	RX31,41,MX31,33,41,43,TX30, 40,RX30,40,MX30,40,LX40	F	157
		CRESSIDA/MARK II/CHASER/CRESTA	76/12~80/08	RX37V,TX47V(Van)	F	157
●S3033	●MITSUBISHI	GALANT LAMBDA	76/12~78/03	A121(1600GS)	F	93
●S3034	MITSUBISHI	GALANT LAMBDA	76/12~80/05	A123(2000),A123(2000GSR), A133(Excl.2000GL)	F	93
		GALANT LAMBDA ETERNA	78/03~80/05	A133(2000)	F	94
		GALANT/MAGNA/SIGMA	77/08~80/05	A133(2000 Super Saloon) A123(2000GSR)	F	94
		GALANT SIGMA ETERNA	79/03~80/05	A133(2000 Super Saloon)	F	94
S3037	NISSAN	SUNNY/SENTRA	77/11~81/09	B310(1400,1500)	F	118
S3038	NISSAN	BLUEBIRD	79/10~83/09	P910,U910,Y910 (SSSES,Incl.Turbo)	F	105
		LEOPARD	80/09~82/08	F30,F30(SFL)	F	111
		LEOPARD	80/09~86/01	JF30	F	111
		LEOPARD	80/09~86/01	F30(Excl SFL model)	F	112
		LEOPARD	84/06~86/01	F30(Grand Edition Turbo)	F	112
S3039	MITSUBISHI	MIRAGE/MIRAGE II/LANCER FIORE	78/08~83/09	A151,152,155,156(1200,1400) A153,157(1600)	F	99
S3042	TOYOTA	CARINA	81/09~85/07	TA61,63,AA63,RA63	F	144
		CELICA	78/04~85/07	TA40,45,RA40,RA45(GT,GTV, GTR) 14inch Tire,MA45,46(XX Model) TA64	F	145

STOCK NO.

O.E.M NO.

KIT

S3000 SERIES

TOKICO NO.	MANUFACTURER	VEHICLE	YEAR	MAKE & MODEL	VEHICLE POSITION	REF PAGE
S3042	TOYOTA	CELICA	81/07~85/07	TA61,63,64,RA63,AA63	F	145
		COROLLA/SPRINTER	85/05~87/04	AE85(LEVIN,TRUENO)	F	148
		COROLLA/SPRINTER	85/05~87/04	AE86(LEVIN,TRUENO)	F	148
		COROLLA/SPRINTER	85/05~87/07	KE72V,74V(Van),KE73G,CE72G (Wagon),TE73V,CE71V(Van)	F	148
		CORONA	82/01~83/10	TT142	F	153
●S3044	TOYOTA	CORONA	78/09~82/08	RT130,131(LPG)	F	153
S3050	MAZDA	LUCE/RX-4/929	79/02~	LA4MV(Van),LA4SV(Diesel Van)	F	86
		LUCE/RX-4/929	79/10~81/07	LA4MS,LA4VS,LA43S, LA4SS(Diesel)	F	86
		LUCE/RX-4/929	79/10~81/09	LA4MS(Chassis No160001~)	F	86
●S3051	MAZDA	CAPELLA/616	80/02~83/09	CB2VS(TAXI)	F	82
S3053	NISSAN	BLUEBIRD	79/10~81/12	J910***Wagon	F	105
		BLUEBIRD	79/10~83/09	P910,Y910,KP910,U910 (SSS ,Incl. Turbo.Excl.SSSES)	F	105
		BLUEBIRD	79/10~85/01	PJ910,EJ910(Diesel)	F	105
		BLUEBIRD	82/01~83/09	J910***Wagon	F	105
		BLUEBIRD	85/02~	C910	F	106
S3055	MITSUBISHI	GALANT LAMBDA	79/05~83/10	A135(2600)	F	93
		GALANT LAMBDA	80/05~83/10	A164(2000),A166(2600) (Excl.Turbo)	F	93
		GALANT LAMBDA ETERNA	75/05~80/05	A135(2600)	F	94
		GALANT LAMBDA ETERNA	80/05~82/08	A163(2000),A167(2300)	F	94
		GALANT LAMBDA ETERNA	80/05~82/08	A164(2000)(Excl.Turbo)	F	94
		GALANT/MAGNA/SIGMA	80/05~83/07	A163(2000),A167(1800) (Incl.Turbo)	F	95
		GALANT/MAGNA/SIGMA	80/05~83/07	A164(2000)(Excl.Turbo)	F	95
		GALANT SIGMA ETERNA	80/05~83/07	A163(2000),A167(2300) (Incl.Turbo)	F	94
		GALANT SIGMA ETERNA	80/05~83/07	A164(2000)(Excl Turbo)	F	94
		STARION	82/05~87/05	A182(Rear;Rigid Axle)	F	100
STARION	82/05~87/05	A183(Rear;Independent Axle)	F	100		
●S3056	MITSUBISHI	GALANT LAMBDA	80/05~83/10	A164(2000),A166(2600) (Excl.Turbo)	R	93
		GALANT LAMBDA ETERNA	80/05~82/08	A164(2000)(Excl.Turbo)	R	94
		GALANT/MAGNA/SIGMA	80/05~83/07	A164(2000)(Excl.Turbo)	R	95
		GALANT SIGMA ETERNA	80/05~83/07	A164(2000)(Excl Turbo)	R	94
●S3060	MITSUBISHI	GALANT LAMBDA	80/05~83/10	A162(1800)	F	93
		GALANT LAMBDA ETERNA	80/05~82/08	A162(1800)	F	94
		GALANT/MAGNA/SIGMA	80/05~83/07	A161(1600),A162(1800) (Incl.Turbo)	F	95
		GALANT SIGMA ETERNA	80/05~83/07	A161(1600),A162(1800) (Incl.Turbo)	F	94
●S3062 (S3113)	TOYOTA	CELICA	81/07~85/12	GA61(XX2000,L,S,G),MA61 (XX2800),MA63(XX2000Turbo)	F	145
		CRESSIDA/MARK II/CHASER/CRESTA	82/08~84/07	GA61(XX2000,GT) GX61(GRANDE,Hard Sus.) Twincam	F	158
		CRESSIDA/MARK II/CHASER/CRESTA	84/08~88/08	GX71(EFI),LS,LG,GRANDE	F	158
		CRESSIDA/MARK II/CHASER/CRESTA	84/08~88/08	SX70(All),YX70,72,LX70	F	158
		CRESSIDA/MARK II/CHASER/CRESTA	84/11~88/08	GX70G(Wagon),YX76V,LX76V (Van)	F	158
		CRESSIDA/MARK II/CHASER/CRESTA	85/10~88/08	GX71(Twincam Turbo)GT,MX71 (Turbo)	F	158
●S3063	TOYOTA	CELICA	82/08~83/08	GA61(XX2000,GT)	F	146
		CRESSIDA/MARK II/CHASER/CRESTA	80/09~84/07	RX63,GX61,MX61 (GRANDE,Excl.Hard Sus.)LX65 SX60,LX60	F	157
		CRESSIDA/MARK II/CHASER/CRESTA	82/08~84/07	GX60(Wagon)	F	158
S3064	TOYOTA	CRESSIDA/MARK II/CHASER/CRESTA	82/08~84/07	TX67V,LX67V(Van)	F	158
S3064	TOYOTA	CRESSIDA/MARK II/CHASER/CRESTA	80/09~82/08	GX61,MX61,63(GRANDE) TX60,RX60,GX60(SED),LX60	F	157
		CRESSIDA/MARK II/CHASER/CRESTA	80/11~82/08	GX60(Wagon)	F	157
S3068	NISSAN	CRESSIDA/MARK II/CHASER/CRESTA	80/11~82/08	TX67V,LX67V(Van)	F	157
S3068	NISSAN	STANZA/AUSTER/VIOLET	81/06~85/09	T11All(Excl.PT11,KPT11*** GTES)PT11	F	116
S3069	NISSAN	STANZA/AUSTER/VIOLET	81/06~85/09	T11All(Excl.PT11,KPT11*** GTES)PT11	R	116

STOCK NO.

O.E.M NO.

KIT

S3000 SERIES

TOKICO NO.	MANUFACTURER	VEHICLE	YEAR	MAKE & MODEL	VEHICLE POSITION	REF PAGE
S3072	TOYOTA	CAMRY (FF)/VISTA(FF)	82/03~86/07	SV10,11,12, CV10,11	F	140
S3073	TOYOTA	CARINA(FF)	84/05~85/04	ST150, CT150	F	145
		CARINA ED	87/08~89/08	ST160, 162, 163, ST162	F	144
		COROLLA/SPRINTER	83/05~84/03	CE80	F	147
		COROLLA/SPRINTER	83/08~85/04	CE80	F	147
		COROLLA/SPRINTER	85/05~87/04	AE82(GT)	F	148
		CORONA(FF)	83/01~85/05	ST150, CT150	F	154
S3081	TOYOTA	CORONA	82/01~	C/T140(STD)	F	153
		CORONA	82/09~86/12	YT140(LPG)	F	153
		CORONA	86/12~88/01	YT140(LPG)	F	154
		CORONA	86/12~	CT141	F	154
		CORONA	88/01~	YT140(LPG)	F	154
S3085	NISSAN	CEDRIC/GLORIA	83/06~87/05	Y30 All(Excl. Wagon, Van)	F	107
		CEDRIC/GLORIA	83/06~87/05	Y30(Wagon), Y30(LPG Wagon) Y30(LPG Van)	F	107
S3092	NISSAN	LAUREL	84/10~88/11	FJC, KFJC, TFGC, HJC, TEJC, EJC KEJC, SJC, KSJC32 KHC, KGC (Excl. Ground Cruising), GC32*** Incl. Turbo, Excl. Adjustable Type	F	111
		LAUREL	84/10~88/11	FJC, KFJC, TFGC, HJC, TEJC, EJC KEJC, SJC, KSJC32, KHC, KGC (Excl. Ground Cruising), GC32*** Incl. Turbo, Excl. Adjustable Type KGC32(Ground Cruising)	F	111
S3102	TOYOTA	CORONA	80~	TT132(For M.E. Countries)	F	153
S3106	NISSAN	CEDRIC/GLORIA	87/06~91/05	Y31,***Incl., Y31(LPG) Y31***Original TUJY31(Diesel)	F	107
●S3111 (S3092)	NISSAN	LAUREL	84/10~88/11	FJC, KFJC, TFGC, HJC, TEJC, EJC KEJC, SJC, KSJC32 KHC, KGC (Excl. Ground Cruising), GC32*** Incl. Turbo, Excl. Adjustable Type	F	111
		LAUREL	84/10~88/11	FJC, KFJC, TFGC, HJC, TEJC, EJC KEJC, SJC, KSJC32, KHC, KGC (Excl. Ground Cruising), GC32*** Incl. Turbo, Excl. Adjustable Type KGC32(Ground Cruising)	F	111
S3113	TOYOTA	CELICA	81/07~85/12	GA61(XX2000, L, S, G), MA61 (XX2800), MA63(XX2000 Turbo) GA61(XX2000, GT)	F	145
		CROWN COMFORT(TAXI)	95/12~	LXS11	F	159
		CRESSIDA/MARK II/CHASER/CRESTA	82/08~84/07	GX61(GRANDE, Hard Sus.) Twincam	F	158
		CRESSIDA/MARK II/CHASER/CRESTA	88/08~92/10	GX81(High Twincam)***LG, GRANDE	F	158
		CRESSIDA/MARK II/CHASER/CRESTA	88/08~92/10	GX81(Hard Top Twincam Turbo)	F	158
		CRESSIDA/MARK II/CHASER/CRESTA	88/08~92/10	RX80/81, GX81, MX81, JZX81 (Rear: Independent Axle)	F	158
		CRESSIDA/MARK II/CHASER/CRESTA	88/08~96/08	LX80, LX80Y, SX80, YX80, YX80Y	F	158
		CRESSIDA/MARK II/CHASER/CRESTA	88/10~	GX70G(Wagon), YX76V, LX76V ***Van	F	158
S3120	TOYOTA	COROLLA/SPRINTER	87/05~92/05	AE92	F	148
		COROLLA/SPRINTER	87/05~92/05	EE90, AE91/92, CE90 with Rough Road Package	F	148
		COROLLA/SPRINTER	87/10~95/08	AE95(4WD Incl. Van/Wagon)	F	148

STOCK NO.

O.E.M. NO.

KIT

S4000 SERIES

TOKICO NO.	MANUFACTURER	VEHICLE	YEAR	MAKE & MODEL	VEHICLE POSITION	REF PAGE
S4002	ISUZU	ASKA	83/04~90	JJ110,JJ120(Turbo)	F	70
		ASKA	83/04~90	JJ120(ELECTRO)	F	70
		ASKA	83/04~90	JJ110,120	F	70
S4004	ISUZU	ASKA	85/06~90	JJ110,120,510(LS)	F	70
		ASKA	85/06~90	JJ110,JJ510,120(LT,LJ,LX,LF,LS/J)	F	70

STOCK NO.

O.E.M NO.

KIT

SD1000 SERIES

TOKICO NO.	MANUFACTURER	VEHICLE	YEAR	MAKE & MODEL	VEHICLE POSITION	KIT NO.		REF PAGE
						UPPER	LOWER	
SD1001	ISUZU	FASTER/RODEO/TROOPER/CAMBO/BRAVA RODEO BIG HORN/TROOPER TRUCK	83/05~00/01 83/05~00/01	Steering Damper	F	015	015	72
				Steering Damper	F			74
				Steering Damper(GM-LUV)	F			75
SD1002	SUZUKI	JIMNY		Steering Damper	F	022	015	136
SD1003	SUZUKI	JIMNY		Steering Damper	F	022	015	136
SD1004	NISSAN	DATSUN TRUCK/DATSUN PICKUP	82/09~85/08	Steering Damper(4WD)	F	001	015	110
SD1005	NISSAN	DATSUN TRUCK/DATSUN PICKUP	85/08~99/01	Steering Damper(4WD)	F	001	015	110
SD1006	NISSAN	DATSUN TRUCK/DATSUN PICKUP	85/08~99/01	Steering Damper(2WD)	F	001	015	110
SD1009	ISUZU	FASTER/RODEO/TROOPER/CAMBO/BRAVA RODEO BIG HORN/TROOPER	88/04~97on 88/04~97on	Steering Damper	F	015	-	72
				Steering Damper	F			74
SD1010	DAIHATSU	TAFT	78~84	Steering Damper	F	015	015	54
SD1154	SUZUKI	JIMNY		Steering Damper	F		015	136
SD1215	ISUZU	ELF250 WIDE,350	90~	ELF Steering Damper	F	015	015	72

STOCK NO.

O.E.M. NO.

KIT

SD2000 SERIES

TOKICO NO.	MANUFACTURER	VEHICLE	YEAR	MAKE & MODEL	VEHICLE POSITION	KIT NO.		REF PAGE
						UPPER	LOWER	
SD2001	TOYOTA	HILUX	81~83	Steering Damper(RN)	F	101	-	166
SD2002	NISSAN	PATROL/SAFARI	80/08~82/07	Steering Damper	F	002	002	113
SD2004	NISSAN	PATROL/SAFARI	84/08~	Y160 Steering Damper	F	002	002	113
SD2007	TOYOTA	HILUX	84~88	Steering Damper(RN)	F	101	-	166
SD2008	TOYOTA	LAND CRUISER	81~90	Steering Damper(FJ60)	F	-	-	170
SD2149	NISSAN	PATROL/SAFARI	71~82/07	Steering Damper	F	002	002	113
SD2585	ISUZU	TRUCK		Steering Damper(TSD,TWD)	F	015	104	75
SD2902	NISSAN	PATROL/SAFARI	89/02~	773,920D Steering Damper	F	-	-	113
SD2910	NISSAN	PATROL/SAFARI	87~	Y60 Steering Damper	F	015	-	113
SD2967	NISSAN	PATROL/SAFARI	97/10~	Y61 Steering Damper	F	161	161	113
SD2968	NISSAN	PATROL/SAFARI	99/08~	Y61 Steering Damper	F	-	-	113

STOCK NO.

O.E.M NO.

KIT

SD3000 SERIES

TOKICO NO.	MANUFACTURER	VEHICLE	YEAR	MAKE & MODEL	VEHICLE POSITION	KIT NO.		REF PAGE
						UPPER	LOWER	
SD3001	TOYOTA	LAND CRUISER	69~84	Steering Damper(FJ55,BJ41)	F	-	-	170

STOCK NO.

O.E.M NO.

KIT

U1000 SERIES

TOKICO NO.	MANUFACTURER	VEHICLE	YEAR	MAKE & MODEL	VEHICLE POSITION	KIT NO.		REF PAGE
						UPPER	LOWER	
U1164	NISSAN	MARCH/MICRA	82/10~92/11	K10 All	R	-	015	112
U1172	TOYOTA	STARLET	84/10~89/12	EP71,EP76V(Van) NP70,NP76V*** (Diesel, Van)	R	-	015	173
U1193	TOYOTA	STARLET	87/12~89/12	EP71	R	-	015	174

STOCK NO.

O.E.M NO.

KIT

U2000 SERIES

TOKICO NO.	MANUFACTURER	VEHICLE	YEAR	MAKE & MODEL	VEHICLE POSITION	KIT NO.		REF PAGE
						UPPER	LOWER	
U2615	NISSAN	LAUREL	80/11~84/09	C31 All(Incl.Turbo ,Excl.Medalist)	R	211	015	111
U2622	NISSAN	BLUEBIRD	77/10~79/09	J810,D811,J811 (Excl.SSS)(Coil Spring Model)	R	-	015	105
		BLUEBIRD	79/10~83/09	J910,J910(GF,GL), J910(5-transmission,AT)	R			105
		BLUEBIRD	79/10~85/01	PJ910,EJ910(Diesel)	R			105
		LEOPARD	80/09~86/01	JF30	R			111
U2731	MITSUBISHI	GALANT/MAGNA/SIGMA	83/08~87	E13,E14,E15,E17	R	-	015	95
		GALANT/MAGNA/SIGMA	87/08~92	E31A,E32A,E33A,E34A,E35A (2WD)	R			95
		GALANT SIGMA ETERNA	83/08~87	E15 ALL,E17 Excl.Air sus	R			94
U2741	HONDA	BALLADE SPORTS(CR-X)	83/06~87/08	AE-100,110,120,130 AF-100,110,120,130	R	-	015	63
		BALLADE SPORTS(CR-X) CIVIC(WONDER CIVIC)	84/09~87/09	AS-100,110,120	R			63
			83/09~87/08	AG-100,110,120,130 AH-100,110,120,130 AJ-100,110,120,130 AK-100,110,120,130	R			66
			84/09~87/08	AT-100,110,120,AU-100,110,120.	R			66
		CIVIC PRO	83/10~87/09	VJ-100,110,120	R			65
		CIVIC SHUTTLE	83/10~85/08	AJ-500,510	R			65
		CIVIC SHUTTLE	83/10~85/08	AK-500,510	R			65
		CIVIC SHUTTLE	85/09~87/09	AK-520,530	R			65
U2759	NISSAN	LAUREL	84/10~88/11	FJC,KFJC,TFGC,HJC,TEJC,EJC KEJC,SJC,KSJC32, KHC,KGC (Excl.Ground Cruising),GC32*** Incl. Turbo,Excl.Adjustable Type KGC32(Ground Cruising)	R	211	015	111
		LEOPARD	86/02~	F31(XJ,XJ-II)	R			112
U2781	HONDA	ACCORD	85/06~89/08	CA1-100,106,120,CA5-100 CA2-100,106,120,CA3-100, 106,120 CA5(2.0SS,2.0GXL)	FR	245	-	62
		ACCORD AERODECK	85/06~89/08	CA1,CA2	FR			63
		ACCORD COUPE	88/04~89/12	CA6-100	FR			63
		PRELUDE	87/04~91/08	BA-100,110(Excl.Si) BA5-100 BA4-110(Si) BA5-110(XX,Si)	FR			68
		VIGOR	85/06~89/12	CA1-100,106,120,CA2-100, 106,120,CA3-100,106,120, CA5-100	FR			68
U2782	HONDA	ACCORD	85/06~89/08	CA1-100,106,120,CA5-100 CA2-100,106,120,CA3-100, 106,120 CA5(2.0SS,2.0GXL)	FL	245	-	62
		ACCORD AERODECK	85/06~89/08	CA1,CA2	FL			63
		ACCORD COUPE	88/04~89/12	CA6-100	FL			63
		PRELUDE	87/04~91/08	BA-100,110(Excl.Si) BA5-100 BA4-110(Si) BA5-110(XX,Si)	FL			68
		VIGOR	85/06~89/12	CA1-100,106,120,CA2-100, 106,120,CA3-100,106,120, CA5-100	FL			68
U2783	HONDA	ACCORD	85/06~89/08	CA1-100,106,120,CA5-100 CA2-100,106,120,CA3-100, 106,120 CA5(2.0SS,2.0GXL)	R	264	-	62
		ACCORD AERODECK	85/06~89/08	CA1,CA2	R			63
		ACCORD COUPE	88/04~89/12	CA6-100	R			63
		VIGOR	85/06~89/12	CA1-100,106,120,CA2-100, 106,120,CA3-100,106,120, CA5-100	R			68
U2784	NISSAN	BLUEBIRD	76/07~79/09	P810,G810,P811,G811,810SSS (Incl. Long Nose Model) (Coil Spring Model)	R	211	015	105
		BLUEBIRD	79/10~83/09	P910,U910,Y910 (SSSES,Incl.Turbo)	R			105
		BLUEBIRD	79/10~83/09	P910,Y910,KP910,U910 (SSS ,Incl.Turbo.Excl.SSES)	R			105
		LAUREL	77/01~80/10	C230,231	R			111

STOCK NO.

O.E.M. NO.

KIT

U2000 SERIES

TOKICO NO.	MANUFACTURER	VEHICLE	YEAR	MAKE & MODEL	VEHICLE POSITION	KIT NO.		REF PAGE
						UPPER	LOWER	
U2784	NISSAN	LAUREL	84/10~88/11	FJC,KFJC,TFGC,HJC,TEJC,EJC KEJC,SJC,KSJC32 KHC,KGC (Excl.Ground Cruising),GC32*** Incl. Turbo,Excl.Adjustable Type	R			111
		LEOPARD	80/09~86/01	F30(Excl SFL model)	R			112
U2799	HONDA	CR-X	87/07~91/08	EF6/7/8	R	245	015	67
		CR-X	88/01~88/12	ED9 chassis	R			67
		CIVIC(GRAND CIVIC)	87/09~89/07	No.S000001~S100001 EF1-100,120,EF2-100,120, EF3-100,120,EF2-300,310, EF4-100,110,EF5-100	R			65
		CONCERTO	89/06~92	MA1,2(JAPAN MADE)	R			66
U2817	HONDA	CR-X	87/07~91/08	EF6/7/8	FR	245	-	67
		CR-X	89/01~92/03	ED9,EE8 chassis	FR			67
		CIVIC(GRAND CIVIC)	89~91/12	No.S100001~ EF1-100,120,EF2-100,120, EF3-100,120,EF2-300,310, EF4-100,110,EF5-100	FR			65
		CONCERTO INTEGRA	89/06~92 89/04~93/04	MA1,2(JAPAN MADE) DA5,6,7,8	FR FR			66 68
U2818	HONDA	CR-X	87/07~91/08	EF6/7/8	FL	245	-	67
		CR-X	89/01~92/03	ED9,EE8 chassis	FL			67
		CIVIC(GRAND CIVIC)	89~91/12	No.S100001~ EF1-100,120,EF2-100,120, EF3-100,120,EF2-300,310, EF4-100,110,EF5-100	FL			65
		CONCERTO INTEGRA	89/06~92 89/04~93/04	MA1,2(JAPAN MADE) DA5,6,7,8	FL FL			66 68
U2834	TOYOTA	TERCEL/CORSA/COROLLA II	86/05~90/09	EL30,31(Excl.TEMS TYPE),NL30	R	-	015	174
U2847	HONDA	CR-X	89/01~92/03	ED9,EE8 chassis	R	245	-	67
		CR-X	92/04~00	No.S100001~ EG2,EH6	R			67
		CIVIC(GRAND CIVIC)	89~91/12	EF1-100,120,EF2-100,120, EF3-100,120,EF2-300,310, EF4-100,110,EF5-100	R			65
		CIVIC(SPORTS CIVIC)	92/04~01	EJ1/2(Coupe)	R			66
U2867	NISSAN	CEFIRO	88/09~94/08	A31	R	238	015	107
		LAUREL	88/12~92/12	C33 Series	R			111
U2896	HONDA	ACCORD	89/09~93/09	CB1,CB2,CB3(2.0EXL),CB3 (2.0SI,2.0EXL-I,2.0SI-T) CB4(2.0EXL),CB4(2.0EXL-I,2.0SI)	R	-	-	62
		ACCORD	90/01~93/08	U.S. MADE	R			62
		ACCORD	89/09~93/10	CB8/9(USA WAGON)	R			62
		ACCORD	89~96	CB#,CC#,CE#	R			62
		ACCORD COUPE	90/04~96	CB6(2.0SI-Excl), CB7(2.2I Excl)	R			63
U2918	NISSAN	SUNNY/LAUREL SPIRIT	98~01/06	B14/N15	R	-	015	117
		SUNNY/SENTRA/ALMERA	95~99	AB15,AN15	R			119
U2921	HONDA	CIVIC(SPORTS CIVIC)	95/09~00/08	EK#	R	-	245	66
U2926	TOYOTA	TERCEL/CORSA/COROLLA II	90/09~95/08	EL40	R	-	015	174
U2927	TOYOTA	TERCEL/CORSA/COROLLA II	95/08~99/07	EL50	R	-	015	175
U2928	NISSAN	SUNNY/LAUREL SPIRIT	95~99	B14/N15(2WD)	R	-	015	117
		SUNNY/LAUREL SPIRIT	95~99	B14	R			117
U2929	NISSAN	PRIMERA	90/06~96	P10	F	-	015	113
U2931	NISSAN	PULSAR/LANGLEY/LIBERTA VILLA/EXA	95/01~97/09	N15	R	-	015	114
		SUNNY/LAUREL SPIRIT	95/01~97/07	AB14/AN15(2WD)	R			117
		SUNNY/SENTRA/ALMERA	95/01~97/07	AB14,AN15(2WD)	R			119
U2932	NISSAN	CEFIRO/MAXIMA/810/INFINITY 130	94/08~98/12	A32	R	-	015	107
U2934	HONDA	ACCORD	98/02~	CGL1/2/4/5 2.0, 3.0 SED AND USA COUPE	R	-	015	62
		ACCORD	04~	2.0 VTI-L 2.0L for Indonesia	R			62
U2937	HONDA	CIVIC (Hatchback/Sedan)	95/08~00/09	EK2,EK3	R	-	-	64
		CIVIC FERIO	98/09~00/09	EK2,EK3	R			65
		CIVIC FERIO	95/08~00/09	EK4	R			65
		CIVIC FERIO	95/08~00/09	EK8	R			65

STOCK NO.

O.E.M NO.

KIT

U2000 SERIES

TOKICO NO.	MANUFACTURER	VEHICLE	YEAR	MAKE & MODEL	VEHICLE POSITION	KIT NO.		REF PAGE
						UPPER	LOWER	
U2938	HONDA	ACCORD	91/04~94/11	CD3(1.8EF,1.8EX),CD4(2.0EX), CD4(2.0EXL) CD5(2.2UTE, 2.2UTL,2.2VTS),CD6(SIR), CB9(2.2),CE1(2.2VI,2.2VIX)	R	-	-	62
		ACCORD	93/09~98	CD#,CE#	R			62
U2940	TOYOTA	RAUM	97/05~03/04	EXZ10	R	-	015	172
		STARLET	89/12~96/01	EP80,EP81,EP82,NP80	R			174
		STARLET	96/01~00	EP91	R			174
		TERCEL/CORSA/COROLLA II	87/01~90/09	EL30,ES31(SX),EL31	R			174
●U2941 (U2931)	NISSAN	PULSAR/LANGLEY/LIBERTA VILLA/EXA	95/01~97/09	N15	R			114
		SUNNY/LAUREL SPIRIT	95/01~97/07	AB14/AN15(2WD)	R			117
U2947	MITSUBISHI	LANCER/COLT/MIRAGE	91/08~96	CA#A,CB#A,CC#A,CD#A with High Ground,Clearance Sus.	R	-	015	97
		LANCER/LANCER CEDIA	92/08~	CB2A,CB4A	R			98
		LANCER/LANCER CEDIA	92/08~	CB5A	R			98
U2948	MITSUBISHI	LANCER MIRAGE HATCHBACK	87/09~92	C51A,C52A,C52A(SWIFT), C53A(TURBO),C54A,C58A,C61A, C62A,C63A,C64A,C65A,C68A	R	-	015	96
		MIRAGE HATCHBACK	87/09~92	C51A,C52A,C52A(SWIFT),C53A (TURBO),C54A,C58A,C61A, C62A,C63A,C64A,C65A,C68A	R			99
		MIRAGE SEDAN	87/12~92	C61A,C62A,C64A	R			99
U2959	NISSAN	PRIMERA	96/10~04/09	2.0GT	F	-	015	113
		PRIMERA	98/01~04/09	WAGON	F			113
U2965	NISSAN	SUNNY/LAUREL SPIRIT	97/08~00/02	AB14/AN15/AR11(2WD)	R	-	015	117
		SUNNY/SENTRA/ALMERA	97/08~00/02	AB14,AN15,AR11(2WD)	R			120
U2971	NISSAN	SUNNY/SENTRA/ALMERA	98/12~03/02	B15 1300,1500 ABS Type only	R	-	015	119
		SUNNY/SENTRA/ALMERA	01~06	SE-R V2500 for Central and South America market	R			121
		SUNNY/SENTRA/ALMERA	01~06	SE-R 2500 HS for Central and South America market	R			121
		SUNNY/SENTRA/ALMERA	02~05	SE-R 2500 for Central and South America market	R			121
U2972	NISSAN	CEFIRO/MAXIMA/810/INFINITY 130	98/12~01/01	A33(Include North America)	R	-	015	108
		CEFIRO/MAXIMA/810/INFINITY 130	00/07~02/12	A33(Include North America)	R			108
U2980	TOYOTA	COROLLA/ALTIS(ASIA/INDIA)	01/03~	ZZE121(1600),ZZE122(1800) Taiwan,Malasia(For SED)	R	-	015	150
		COROLLA/ALTIS(ASIA/INDIA)	01/05~	ZZE121(1600),ZZE122(1800) Indonesia,Thailand(For SED)	R			150
		COROLLA/ALTIS(ASIA/INDIA)	01/07~	NZE121/124,ZZE123/124, CE121,Philippine,Vietnam (For SED)	R			150
		COROLLA/ALTIS(ASIA/INDIA)	01/07~	NZE120,ZZE12#.For Philippine, Vietnam	R			151
		COROLLA	00/08~	NZE121,SED/Station Wagon without Rough Road Package, Bult in Japan	R			151
		COROLLA	00/08~02/09	NZE120,NZE121..LX,ZZE121.. LHD,ZZE122,CE120 SED/ Station Wagon without Rough Road Package,Bult in Japan	R			151
		COROLLA	00/08~02/09	ZZE121,CE120,SED/Station Wagon with ABS,without Rough Road Package,Built in Japan	R			151
		COROLLA	02/09~	NZE120,NZE121..LX,ZZE121/ 122,CE120 SED/Station Wagon without Rough Road Package, Bult in Japan,Excl Philippine & Vietnam	R			151
		COROLLA	00/08~	NZE120,NZE121..LX,ZZE121/ 122 SED/Station Wagon with Rough Road Package,Bult in Japan,Excl Philippine & Vietnam	R			151
COROLLA	02/09~04/04	CE120,ZZE121/122 with ABS	R			152		
COROLLA	04/04~	CE120,NZE120/121,ZZE120/ 121/122 without ABS	R			152		

STOCK NO.

O.E.M. NO.

KIT

U3000 SERIES

TOKICO NO.	MANUFACTURER	VEHICLE	YEAR	MAKE & MODEL	VEHICLE POSITION	KIT NO.		REF PAGE
						UPPER	LOWER	
●U3306 (U2622)	NISSAN	BLUEBIRD	77/10~79/09	J810,D811,J811 (Excl.SSS)(Coil Spring Model)	R	211	015	105
		BLUEBIRD	79/10~83/09	J910,J910(GF,GL), J910(5-transmission,AT)	R			105
		BLUEBIRD	79/10~85/01	PJ910,EJ910(Diesel)	R			105
U3341	MAZDA	LUCE/RX-4/929	81/10~86/09	HBSHE(EG1),HBSN2(Rotary) HBES(EG1), HBSN2(Excl.12A Rotary Turbo LTD)	R	-	015	86
U3389	SUBARU	SUBARU1300/1600/1800(L)	84/08~	4-Door SED 1.6 & 1.8(AT & MT) Station Wagon TW(D/R & 4WDAT)	R	-	015	130
		SUBARU1300/1600/1800(L)	84/08~		R			130
U3390	SUBARU	SUBARU1300/1600/1800(L)	84/08~	Station Wagon D/R(Excl.ps)	R	-	015	130
U3413	MAZDA	LUCE/RX-4/929	86/12~95/12		R	-	015	86
U3423	TOYOTA	CRESSIDA/MARK II/CHASER/CRESTA	88/08~96/08	LX80,LX80Y,SX80,YX80,YX80Y	R	-	015	158
U3426	MAZDA	LUCE/RX-4/929	87~88/08		R	-	015	86
U3456	HONDA	CR-X	91/09~00	EG1/2	FR	245	-	67
		CR-X	92/04~00	EG2,EH6	FR			67
		CIVIC(SPORTS CIVIC)	91/09~95/08	EG3-100,EG4-100,EG5-100, EG6-100	FR			65
		CIVIC(SPORTS CIVIC)	91/09~95/08	EG3-100,EG4-100,EG5-100, EG6-100(U.S.Made)	FR			65
		CIVIC(SPORTS CIVIC)	92/04~01	EJ1/2(Coupe)	FR			66
		CIVIC	91/09~95/08	EG7-100,EG8-100,EG9-100	FR			63
		CIVIC	91/09~95/08	EG7-100,EG8-100,EG9-100 (U.S.Made)	FR			64
		INTEGRA	93/05~01/06	DB6,7,8,DC1,2	FR			68
U3457	HONDA	CR-X	91/09~00	EG1/2	FL	245	-	67
		CR-X	92/04~00	EG2,EH6	FL			67
		CIVIC(SPORTS CIVIC)	91/09~95/08	EG3-100,EG4-100,EG5-100, EG6-100	FL			65
		CIVIC(SPORTS CIVIC)	91/09~95/08	EG3-100,EG4-100,EG5-100, EG6-100(U.S.Made)	FL			65
		CIVIC(SPORTS CIVIC)	92/04~01	EJ1/2(Coupe)	FL			66
		CIVIC	91/09~95/08	EG7-100,EG8-100,EG9-100	FL			63
		CIVIC	91/09~95/08	EG7-100,EG8-100,EG9-100 (U.S.Made)	FL			64
		INTEGRA	93/05~01/06	DB6,7,8,DC1,2	FL			68
U3458	HONDA	CR-X	91/09~00	EG1/2	R	245	015	67
		CIVIC(SPORTS CIVIC)	91/09~95/08	EG3-100,EG4-100,EG5-100, EG6-100	R			65
		CIVIC	91/09~95/08	EG7-100,EG8-100,EG9-100	R			63
		INTEGRA	93/05~01/06	DB6,7,8,DC1,2	R			68
U3544	HONDA	CIVIC(SPORTS CIVIC)	95/09~00/08	EK#	F	245	-	66
U3591	MITSUBISHI	GALANT/LEGNUM	96/10~02/09	EA#A/W(2WD) incl.Estate	R	-	015	94
U3592	MITSUBISHI	GALANT/LEGNUM	96/10~01/05	EC#A/W(4WD)incl.Estate	F	-	015	94
U3593	MITSUBISHI	GALANT/LEGNUM	96/10~01/05	EC#A/W(4WD)incl.Estate	R	-	015	94
U3713	HONDA	CIVIC(SPORTS CIVIC)	91/09~95/08	EG3-100,EG4-100,EG5-100, EG6-100(U.S.Made)	R	245	-	65
		CIVIC	91/09~95/08	EG7-100,EG8-100,EG9-100 (U.S.Made)	R			64
U3714	HONDA	ACCORD	90/01~93/08	U.S. MADE	F	-	-	62
		ACCORD	89/09~93/10	CB8/9(USA WAGON)	F			62
		ACCORD COUPE	90/04~96	CB6(2.0SI-Excl), CB7(2.2l Excl)	F			63
U3730	HONDA	ACCORD	98/02~	CGL1/2/4/5 2.0, 3.0 SED AND USA COUPE	F	-	-	62
U3736	HONDA	CIVIC (Hatchback/Sedan)	95/08~00/09	EK2,EK3	F	-	-	64
		CIVIC (Hatchback/Sedan)	95/08~00/09	EK4	F			64
		CIVIC FERIO	98/09~00/09	EK2,EK3	F			65
		CIVIC FERIO	95/08~00/09	EK4	F			65
		CIVIC FERIO	95/08~00/09	EK8	F			65
U3737	HONDA	ACCORD	89/09~93/09	CB1,CB2,CB3(2.0EXL),CB3 (2.0SI,2.0EXL-I,2.0SI-T) CB4(2.0EXL),CB4(2.0EXL-I,2.0SI)	F	-	-	62

STOCK NO.

O.E.M NO.

KIT

U3000 SERIES

TOKICO NO.	MANUFACTURER	VEHICLE	YEAR	MAKE & MODEL	VEHICLE POSITION	KIT NO.		REF PAGE
						UPPER	LOWER	
U3737	HONDA	ACCORD	91/04~94/11	CD3(1.8EF,1.8EX),CD4(2.0EX), CD4(2.0EXL) CD5(2.2UTE, 2.2UTL,2.2VTS),CD6(SIR), CB9(2.2I),CE1(2.2VI,2.2VIX)	F			62
		ACCORD	89~96	CB#,CC#,CE#	F			62
		ACCORD	93/09~98	CD#,CE#	F			62
U3738	HONDA	CR-V	95/10~01/08	RD1,RD2	F	-	-	66
U3739	HONDA	CR-V	95/10~01/08	RD1,RD2	R	-	015	66
U3741	HONDA	CIVIC	01~02	EU1.3.7/EP1.2/EM2 ES1.3 ,EU1,EU3,EU7,EM2,EP1, EP2,ES1,ES3	R	-	015	64
		CIVIC	01~02	EP3 (2000) TYPE-R	R			64
		CIVIC FERIO	00/09~05/09	ES3	R			65
		CIVIC FERIO	00/09~05/09	ES3	R			65
U3752	TOYOTA	HILUX SURF/4-RUNNER	95/11~	RZN18#,VZN18#,PICKUP (Excl wide tire)	F	309	015	166
		HILUX SURF/4-RUNNER	95/11~02/11	2WD:210,180 4WD:215,185,130	F			166
		LAND CRUISER	96/04~02/10	LN185W,KZN185W,RZN185W, VZN185W	F			169
		LAND CRUISER PRADO	96/04~02/08	KZJ90/VZJ90/VZJ95	F			170
U3756	TOYOTA	CRESSIDA/MARK II /CHASER/CRESTA	92/10~96/08	GX90,JZX90,LX90,SX90	F	-	015	158
		CRESSIDA/MARK II /CHASER/CRESTA	92/10~00/09	GX90,JZX90,LX90,SX90 GX100,JZX100,TOURER V/S(Sport Suspension)	F			158
		CRESSIDA/MARK II /CHASER/CRESTA	96/09~00/09	GX100,JZX100	F			158
U3757	TOYOTA	CROWN	95/08~99/08	GS151,JZS151/155,LS151	R	-	015	159
		CRESSIDA/MARK II /CHASER/CRESTA	92/10~96/08	GX90,JZX90,LX90,SX90	R			158
		CRESSIDA/MARK II /CHASER/CRESTA	92/10~00/09	GX90,JZX90,LX90,SX90 GX100,JZX100,TOURER V/S(Sport Suspension)	R			158
		CRESSIDA/MARK II /CHASER/CRESTA	93/10~96/08	G/JZX93(4WD)	R			158
		CRESSIDA/MARK II /CHASER/CRESTA	96/09~00/09	GX100,JZX100	R			158
CRESSIDA/MARK II /CHASER/CRESTA	96/09~00/09	GX105,JZX105(4WD)	R			158		
U3758	MAZDA	MAZDA 6/ATENZA	02/05~03/04	GG3S(2000) 2WD GY3W(2300) 2WD Excl Self-Leveling Rear Sus.	FR	-	-	87
		MAZDA 6/ATENZA	03/05~	GG3S(2000) 2WD GY3W(2300) 2WD Excl Self-Leveling Rear Sus.	FR			87
U3759	MAZDA	MAZDA 6/ATENZA	02/05~03/04	GG3S(2000) 2WD GY3W(2300) 2WD Excl Self-Leveling Rear Sus.	FL	-	-	87
		MAZDA 6/ATENZA	03/05~	GG3S(2000) 2WD GY3W(2300) 2WD Excl Self-Leveling Rear Sus.	FL			87
U3768	TOYOTA	HILUX VIGO/FORTUNER	04/08~	HILUX VIGO 4WD	F	-	015	167
		HILUX VIGO/FORTUNER	04/08~	FORTUNER 4WD,TGN51	F			167
U3773	TOYOTA	HILUX VIGO/FORTUNER	04/08~	HILUX VIGO 2WD	FR	-	015	166
		KIJANG INNOVA	04~		FR			167
U3774	TOYOTA	HILUX VIGO/FORTUNER	04/08~	HILUX VIGO 2WD	FL	-	015	166
		KIJANG INNOVA	04~		FL			167
U3776	ISUZU	D-MAX/RODEO/TFR/TFS	02~	TFSR(D/EL3)Series 2WD ALL	F	-	015	70
U3781	HONDA	ACCORD	03/02~	CL7/8/9,CM#	F		015	62
		ACCORD/VIGOR	03/02~	CL#	F			63
		ACCORD/VIGOR	03/02~	(2.0L I,2.4L I,2.2L CDTi) CM1(2.0L)/CM2(2.4L)/ CN2(2.2L CDTi)	F			63
U3785	TOYOTA	HILUX SURF/4-RUNNER	02/11~	GRN210/215,KZN215, 4WD Wagon	F			166
		LAND CRUISER PRADO	02/09~	GRJ/KZJ/LJ/RZJ120(4WD)	F			170
		LAND CRUISER PRADO	02/09~	GRJ/KZJ/LJ/RZJ125(4WD)	F			170
U3805	TOYOTA	COROLLA/ALTIS(ASIA/INDIA)	08~	For THAILAND (1600,1800)	R			151
U3806	HONDA	ACCORD	03/02~	CL7/8/9,CM#	R		015	62

STOCK NO.

O.E.M NO.

KIT

U3000 SERIES

STOCK NO.	TOKICO NO.	MANUFACTURER	VEHICLE	YEAR	MAKE & MODEL	VEHICLE POSITION	KIT NO.		REF PAGE
							UPPER	LOWER	
	U3807	HONDA	ACCORD	97/09~	CF3/4/6(1.8i/2.0i/2.2i SED/Wagon)	F		015	62
			ACCORD	98/10~	CG7/8/9,CH1(1.6i/1.8i/2.0i/2.2i SED)	F			62
	U3808	HONDA	ACCORD	97/09~	CF3/4/6(1.8i/2.0i/2.2i SED/Wagon)	R		015	62
			ACCORD	98/10~	CG7/8/9,CH1(1.6i/1.8i/2.0i/2.2i SED)	R			62
	U3809	HONDA	ACCORD/VIGOR	03/02~	CL# (2.0L I,2.4L I,2.2L CDTi)	R		015	63
	U3812	TOYOTA	COROLLA	01/10~	ZZE122:5DoorHB,ZZE122:SED Bult in Japan(For Australia)	R		015	152
			COROLLA	02/08~	ZZE120/121/122/123	R			152
			COROLLA	04/04~	ZZE122 for Australia	R			152
	U3813	NISSAN	NAVARA	07~	X61B S/CAB 4X4	F		015	112
			NAVARA	07~	X61B K/CAB 4X2	F			112
			NAVARA	07~	X61B K/CAB 4X4	F			112
			NAVARA	07~	X61B D/CAB 4X2(High)	F			112
			NAVARA	07~	X61B D/CAB 4X4	F			112
			NAVARA	07~	X61B D/CAB 4X4 GCC Model	F			112
	U3814	NISSAN	NAVARA	07~	X61B S/CAB 4X2	F		015	112
			NAVARA	07~	X61B S/CAB 4X2 GCC Model	F			112
			NAVARA	07~	X61B D/CAB 4X2(Low)	F			112
			NAVARA	07~	X61B D/CAB 4X2 GCC Model	F			112
	U3823	HONDA	CR-V	01/08~04/09	RD4	R		015	66
			CR-V	01/08~04/09	RD5	R			66
			CR-V	04/09~	RD6,RD7	R			66
			CR-V	06/10~	RE3	RL			66
			CR-V	06/10~	RE4	RL			66
	U3825	TOYOTA	CROWN	95/08~99/08	GS151, JZS151/155,LS151	F		015	159
	U3826	TOYOTA	CRESSIDA/MARK II /CHASER/CRESTA	88/08~92/10	GX81(High Twincam)***LG,GRANDE	R		015	158
			CRESSIDA/MARK II /CHASER/CRESTA	88/08~92/10	GX81(Hard Top Twincam Turbo)	R			158
			CRESSIDA/MARK II /CHASER/CRESTA	88/08~92/10	RX80/81,GX81,MX81,JZX81 (Rear:Independent Axle)	R			158
	U3828	TOYOTA	COROLLA VERSO	01/09~03/12	ZZE121(1600),ZZE122(1800) CDE120(2000TD) Built in Turkey Estate for European Market	R		015	152
			COROLLA	01/10~	ZZE120(1400),CDE120(2000TD) without Rough Road Package Saloon for European Market	R			152
			COROLLA	01/10~	ZZE121(1600) without AT without Rough Road Package Saloon for European Market	R			152
			COROLLA	01/10~	ZZE120(1400),ZZE121(1600) CDE120(2000TD) without Rough Road Package Estate for European Market	R			152
			COROLLA	02/09~	ZZE120(1400),ZZE121(1600) CDE120(2000TD) 5door Hatchback for European Market	R			152
			COROLLA	02/01~	ZZE120(1400),ZZE121(1600) CDE120(2000TD) Saloon & Estate Built in Turkey for European Market	R			152
			COROLLA	01/11~	ZZE120(1400),ZZE121(1600) ZZE123(1800),CDE120(2000TD) without Rough Road Package 3door & 5door Hatchback Built in Turkey for European Market	R			152
				U3834	HONDA	CR-V	06/10~	RE3	RR
			CR-V	06/10~	RE4	RR			66
	U3835	TOYOTA	COROLLA	03~07	CE,LE for Central and South America Maeket	R		015	152

U4000 SERIES

TOKICO NO.	MANUFACTURER	VEHICLE	YEAR	MAKE & MODEL	VEHICLE POSITION	KIT NO.		REF PAGE
						UPPER	LOWER	
U4127	TOYOTA	LAND CRUISER	07/09~09/05	UZJ200	F		015	170

STOCK NO.

O.E.M. NO.

KIT

X2000 SERIES

TOKICO NO.	MANUFACTURER	VEHICLE	YEAR	MAKE & MODEL	VEHICLE POSITION	KIT NO.		REF PAGE
						UPPER	LOWER	
●X2286 (U2784)	NISSAN	BLUEBIRD	76/07~79/09	P810,G810,P811,G811,810SSS (Incl. Long Nose Model) (Coil Spring Model)	R	211	015	105
		BLUEBIRD	79/10~83/09	P910,U910,Y910 (SSSES,Incl.Turbo)	R			105
		BLUEBIRD	79/10~83/09	P910,Y910,KP910,U910 (SSS ,Incl.Turbo.Excl.SSES)	R			105
		LAUREL	77/01~80/10	C230,231	R			111
		LEOPARD	80/09~86/01	F30(Excl SFL model)	R			112
●X2615 (U2615)	NISSAN	LAUREL	80/11~84/09	C31 All(Incl.Turbo ,Excl.Medalist)	R	211	015	111
●X2622 (U2622)	NISSAN	LEOPARD	80/09~86/01	JF30	R	211	015	111

STOCK NO.

O.E.M NO.

KIT

Z1000 SERIES

TOKICO NO.	MANUFACTURER	VEHICLE	YEAR	MAKE & MODEL	VEHICLE POSITION	REF PAGE
●Z1005 (S1005)	DAIHATSU	CONSORTE	72~	EP30,EP31,EP50	F	51
	TOYOTA	PUBLICA	69/11~79/07	KP36,37(Truck)	F	172
		PUBLICA	72/01~78	KP30,31,50 (Incl.XL)	F	172
		PUBLICA	72/01~78/09	KP36V,KP37V(Van)	F	172
		PUBLICA	79/07~	KP38,39(Truck)	F	172
●Z1036 (S1036)	MITSUBISHI	LANCER/LANCER EX	76/12~79/04	A42V(1400Van),A75V(1200Van)	F	98
		LANCER/LANCER EX	76/12~79/04	A72(1400),A75(1200), A141(1200),A143(1400)	F	98
		LANCER/LANCER EX	79/04~	A141V,142V,148V,149V(Van)	F	98
●Z1041 (S1041)	NISSAN	SUNNY/SENTRA	70~73	B110	F	118
		SUNNY/SENTRA	70~73	B110(Coupe)	F	118
		SUNNY/SENTRA	70~82/09	B110,B210,B310,B311,B312	F	118
		SUNNY/SENTRA	73~77/10	B210,211	F	118
		SUNNY/SENTRA	73~77/10	B210,211,B211(Coupe)	F	118
		SUNNY/SENTRA	77/11~81/09	B310(Excl.GX)	F	118
		SUNNY TRUCK	75/10~89/10	B120,121,122,GB120,121,122	F	117
●Z1045 (S1045)	TOYOTA	STARLET	78/02~84/10	KP61	F	173
		STARLET	78/10~84/10	KP61V(Van),KP62V(Van)	F	173
●Z1052 (S1052)	TOYOTA	TERCEL/CORSA	78/08~82/05	AL10,11,12	F	174
Z1065	DAIHATSU	CHARMANT	81/10~83/08	A35,A55	F	50
	TOYOTA	COROLLA/SPRINTER	79/03~83/05	KE70,AE70	F	147
COROLLA/SPRINTER		79/08~83/08	KE71V,KE72V,74V(Van) KE73G,CE72G(Wagon)	F	147	
Z1082	TOYOTA	CARINA(FF)	84/05~88/04	AT150,AT151(SG)	F	145
		COROLLA/SPRINTER	83/05~85/04	AE80,81,82	F	147
		COROLLA/SPRINTER	85/05~87/04	AE81(5-door),AE82(Excl.GT) EE80,AE81(4-door)	F	148
		CORONA(FF)	83/10~87/11	AT150	F	154
●Z1087 (S1087)	TOYOTA	SPRINTER CARIB	82/08~84/08	AL25G	F	173
		TERCEL/CORSA/COROLLA II	84/08~86/04	AL25(4WD)	F	174
		TERCEL/CORSA/COROLLA II	86/05~88/05	AL25(Excl.SX,VS)	F	174
●Z1089 (S1089)	NISSAN	BLUEBIRD	83/10~86/10	U11(Wagon)	R	105
●Z1097	TOYOTA	CARINA(FF)	84/05~88/04	AT151(SG),AT151(ST)	F	145
●Z1104	NISSAN	STANZA/AUSTER/VIOLET	85/10~90/04	T12(XT Turbo,SUPREMO Turbo) T12(SUPREMO Twincam Turbo)	R	116
Z1106	TOYOTA	STARLET	84/10~89/12	EP71,EP76V(Van) NP70,NP76V*** (Diesel, Van)	F	173
		STARLET	87/12~89/12	EP71	F	174
		TERCEL/CORSA/COROLLA II	86/05~90/09	EL30,31(Excl.TEMS TYPE),NL30	F	174
Z1108	TOYOTA	COROLLA LEVIN & SPRINTER TRUENO	87/05~	AE91(Excl.Zi,Xi) CARTRIDGE TYPE	F	149
		COROLLA LEVIN & SPRINTER TRUENO	87/05~91/06	AE91(L) CARTRIDGE TYPE	F	150
		COROLLA LEVIN & SPRINTER TRUENO	89/05~91/06	AE91(XS,ZS,G) CARTRIDGE TYPE	F	150
		COROLLA/SPRINTER	87/05~	AE91(Excl.FXZi,Xi) CARTRIDGE TYPE	F	148
		COROLLA/SPRINTER	87/05~	AE92 CARTRIDGE TYPE	F	148
		COROLLA/SPRINTER	87/05~	EE90 CARTRIDGE TYPE	F	148
		COROLLA/SPRINTER	87/05~	EE90 CARTRIDGE TYPE	F	148
		COROLLA/SPRINTER	87/08~92/05	AE91G(Wagon) CARTRIDGE TYPE	F	148
COROLLA/SPRINTER	87/08~	EE96V,EE98V***Van CARTRIDGE TYPE EE97G(Wagon) CARTRIDGE TYPE	F	148		

STOCK NO.

O.E.M. NO.

KIT

Z3000 SERIES

TOKICO NO.	MANUFACTURER	VEHICLE	YEAR	MAKE & MODEL	VEHICLE POSITION	REF PAGE
●Z3007 (S3007)	TOYOTA	CARINA	70/10~77/08	TA10,12,15,17(DLX,SDX,ST) RA11,13,15,TA12(GT) TA17(SR,GT),TA18,3 (SR)RA17 TA14,18,3 ,RA10,14,16,31 (Excl.SR)	F	144
		CARINA	77/08~85/08	TA40,41,42,45,46,47,RA40,45,46 AA60,AA60G,SA60 SED Coupe CA60	F	144
		CARINA	81/09~85/08	TA67V,CA67V	F	144
		CARINA	82/02~85/08	SA60G	F	144
		CELICA	75/10~77/08	RA2 All,TA2 ,TA35,RA35	F	145
		CELICA	77/08~80/07	TA40,45,RA40,RA45 (GT,GTV,GTR) 13inch Tire TA41,42,46,RA40,46(ET,LT,XT, ST,SE) ,TA47 TA45,RA45(13inch Tire), TA41,46,47,RA46,SA60	F	145
		CELICA	84/01~85/07	SA60	F	146
		CELICA CAMRY	80/01~82/02	TA4	F	146
		COROLLA/SPRINTER	72~74/03	TE27(LEVIN,TRUENO)	F	147
		CORONA	78/09~81/12	TT131,RT133(SL,CXS),TT130	F	153
		CORONA	78/09~81/12	TT137V,138V,RT137V(Van)	F	153
		CORONA	82/01~83/10	CT140(GX,EX Saloon)	F	153
		CORONA	82/01~83/10	TT147V(Van)	F	153
		CORONA	82/01~85/08	AT140,ST140 CT140(GX,EX Saloon),AT140	F	153
		CORONA	83/10~85/08	KT147V,CT174V***Van	F	153
●Z3008 (S3008)	NISSAN	BLUEBIRD	79/10~83/09	J910,J910(GF,GL), J910(5-transmission,AT)	F	105
		BLUEBIRD	79/10~83/09	J910***Van	F	105
		SUNNY/SENTRA	73~77/10	B210,B211	F	118
		SUNNY/SENTRA	73~77/10	B21(EXCELLENT Coupe),B211	F	118
		STANZA/AUSTER/VIOLET	77/05~81/06	A10,A11	F	116
		STANZA/AUSTER/VIOLET	77/05~81/06	VA10,11(Van)	F	116
●Z3014 (S3014)	TOYOTA	CELICA CAMRY	80/08~82/02	TA57,RA55,56	F	146
		COROLLA/SPRINTER	74/04~79/02	TE30,31,35,37,4,5,6 (Excl.SR,LEVIN TRUENO,GT,LB) TE50,56,60,66(Excl.SR,LB)	F	147
		COROLLA/SPRINTER	74/04~79/08	TE36V(Van)	F	147
		COROLLA/SPRINTER	77/01~79/02	TE51,52,56,61,62,66(SR,LEVIN TRUENO,GT),TE5,TE6(LB), TE55,65,TE56(SR),TE66(SR)	F	147
		COROLLA/SPRINTER	79/08~85/04	KE72V,TE73V,74V,CE71V(Van) KE73G,CE72G(Wagon)	F	147
		COROLLA/SPRINTER	79/03~85/04	TE70,71,CE70 AE85(LEVIN,TRUENO)	F	147
		COROLLA/SPRINTER	83/05~85/04	AE86(LEVIN,TRUENO)	F	147
		CORONA	78/09~81/12	TT131,RT133(SL,CXS),TT132, RT132	F	153
		CORONA	83/10~85/08	AT141,TT142	F	153
		●Z3037 (S3037)	NISSAN	SUNNY/SENTRA	77/11~81/09	B310(1400,1500)
●Z3039 (S3039)	MITSUBISHI	MIRAGE/MIRAGE II/LANCER FIORE	78/08~83/09	A151,152,155,156(1200,1400) A153,157(1600)	F	99
●Z3042 (S3042)	TOYOTA	CARINA	81/09~85/07	TA61,63,AA63,RA63	F	144
		CELICA	78/04~85/07	TA40,45,RA40,RA45(GT,GTV, GTR) 14inch Tire,MA45,46(XX Model) TA64	F	145
		CELICA	81/07~85/07	TA61,63,64,RA63,AA63	F	145
		COROLLA/SPRINTER	85/05~87/04	AE85(LEVIN,TRUENO)	F	148
		COROLLA/SPRINTER	85/05~87/04	AE86(LEVIN,TRUENO)	F	148
		COROLLA/SPRINTER	85/05~87/07	KE72V,74V(Van),KE73G,CE72G (Wagon),TE73V,CE71V(Van)	F	148
		CORONA	82/01~83/10	TT142	F	153
●Z3055	MITSUBISHI	GALANT LAMBDA	79/05~83/10	A135(2600)	F	93

STOCK NO.

O.E.M. NO.

KIT

Z3000 SERIES

TOKICO NO.	MANUFACTURER	VEHICLE	YEAR	MAKE & MODEL	VEHICLE POSITION	REF PAGE
●Z3055 (S3055)	MITSUBISHI	GALANT LAMBDA	80/05~83/10	A164(2000),A166(2600) (Excl.Turbo)	F	93
		GALANT LAMBDA ETERNA	75/05~80/05	A135(2600)	F	94
		GALANT LAMBDA ETERNA	80/05~82/08	A163(2000),A167(2300)	F	94
		GALANT LAMBDA ETERNA	80/05~82/08	A164(2000)(Excl.Turbo)	F	94
		GALANT/MAGNA/SIGMA	80/05~83/07	A163(2000),A167(1800) (Incl.Turbo)	F	95
		GALANT/MAGNA/SIGMA	80/05~83/07	A164(2000)(Excl.Turbo)	F	95
		GALANT SIGMA ETERNA	80/05~83/07	A163(2000),A167(2300) (Incl.Turbo)	F	94
		GALANT SIGMA ETERNA	80/05~83/07	A164(2000)(Excl Turbo)	F	94
●Z3060	MITSUBISHI	GALANT LAMBDA	80/05~83/10	A162(1800)	F	93
		GALANT LAMBDA ETERNA	80/05~82/08	A162(1800)	F	94
		GALANT/MAGNA/SIGMA	80/05~83/07	A161(1600),A162(1800) (Incl.Turbo)	F	95
		GALANT SIGMA ETERNA	80/05~83/07	A161(1600),A162(1800) (Incl.Turbo)	F	94
●Z3062 (S3113)	TOYOTA	CELICA	81/07~85/12	GA61(XX2000,L,S,G),MA61 (XX2800),MA63(XX2000Turbo) GA61(XX2000,GT)	F	145
		CRESSIDA/MARK II/CHASER/CRESTA	82/08~84/07	GX61(GRANDE,Hard Sus.) Twincam	F	158
		CRESSIDA/MARK II/CHASER/CRESTA	84/08~88/08	GX71(EFI),LS,LG,GRANDE	F	158
		CRESSIDA/MARK II/CHASER/CRESTA	84/08~88/08	SX70(All),YX70,72,LX70	F	158
		CRESSIDA/MARK II/CHASER/CRESTA	84/11~88/08	GX70G(Wagon),YX76V,LX76V (Van)	F	158
		CRESSIDA/MARK II/CHASER/CRESTA	85/10~88/08	GX71(Twincam Turbo)GT,MX71 (Turbo)	F	158
●Z3064 (S3064)	TOYOTA	CRESSIDA/MARK II/CHASER/CRESTA	80/09~82/08	GX61,MX61,63(GRANDE) TX60,RX60,GX60(SED),LX60	F	157
		CRESSIDA/MARK II/CHASER/CRESTA	80/11~82/08	GX60(Wagon)	F	157
		CRESSIDA/MARK II/CHASER/CRESTA	80/11~82/08	TX67V,LX67V(Van)	F	157
●Z3068 (S3068)	NISSAN	STANZA/AUSTER/VIOLET	81/06~85/09	T11All(Excl.PT11,KPT11*** GTES)PT11	F	116
●Z3069 (S3069)	NISSAN	STANZA/AUSTER/VIOLET	81/06~85/09	T11All(Excl.PT11,KPT11*** GTES)PT11	R	116
●Z3072 (S3072)	TOYOTA	CAMRY (FF)/VISTA(FF)	82/03~86/07	SV10,11,12,CV10,11	F	140
●Z3073 (S3073)	TOYOTA	CARINA(FF)	84/05~85/04	ST150,CT150	F	145
		COROLLA/SPRINTER	83/05~84/03	CE80	F	147
		COROLLA/SPRINTER	83/08~85/04	CE80	F	147
		COROLLA/SPRINTER	85/05~87/04	AE82(GT)	F	148
		CORONA(FF)	83/01~85/05	ST150,CT150	F	154
●Z3085 (S3085)	NISSAN	CEDRIC/GLORIA	83/06~87/05	Y30 All(Excl. Wagon, Van)	F	107
		CEDRIC/GLORIA	83/06~87/05	Y30(Wagon),Y30(LPG Wagon) Y30(LPG Van)	F	107
Z3097	TOYOTA	CARINA(FF)	85/05~88/04	ST150,CT150	F	145
		CARINA ED	85/08~87/08	ST160,ST162	F	144
		CELICA	85/08~87/08	AT160,ST160,ST162	F	146
		CELICA	87/08~89/09	AT160,ST160,ST162	F	146
		CELICA	87/10~89/09	ST165(4WD)	F	146
		COROLLA/SPRINTER	85~	CE80	F	148
		COROLLA/SPRINTER	85~	CE80	F	148
		CORONA	87/08~87/11	ST160	F	154
		CORONA	87/12~92/03	ST171(Excl. TEMS TYPE)	F	154
		CORONA(FF)	85/05~87/11	ST150,CT150	F	154
		CORONA(FF)	85/08~87/08	ST160,ST162	F	154
		CORONA(FF)COUPE	85/08~87/08	AT160,ST160,ST162	F	155
		CORONA(FF)COUPE	87/08~92/03	ST160	F	155
		Z3101	TOYOTA	COROLLA LEVIN & SPRINTER TRUENO	87/05~	AE91(Zi,Xi) CARTRIDGE TYPE
COROLLA LEVIN & SPRINTER TRUENO	87/05~			AE91(Excl.Zi,Xi) CARTRIDGE TYPE	F	149
COROLLA LEVIN & SPRINTER TRUENO	87/05~			AE92(GTV,GT-Z) CARTRIDGE TYPE	F	149
COROLLA LEVIN & SPRINTER TRUENO	88/05~89/05			AE91(XI,ZI),AE92(GT) CARTRIDGE TYPE	F	150
COROLLA LEVIN & SPRINTER TRUENO	89/05~91/06			AE92(GT-Z) CARTRIDGE TYPE	F	150
COROLLA/SPRINTER	87/05~92/05			AE91(FXZi,Xi) CARTRIDGE TYPE	F	148
COROLLA/SPRINTER	87/05~92/05			AE91(Excl.FXZi,Xi)	F	148
COROLLA/SPRINTER	87/05~			AE92(Excl. TEMS TYPE) CARTRIDGE TYPE	F	148
COROLLA/SPRINTER	87/05~92/05			CE90 CARTRIDGE TYPE	F	148

STOCK NO.

O.E.M. NO.

KIT

Z3000 SERIES

TOKICO NO.	MANUFACTURER	VEHICLE	YEAR	MAKE & MODEL	VEHICLE POSITION	REF PAGE
Z3101	TOYOTA	COROLLA/SPRINTER	87/08~	CE96V(Van),CE97G(Wagon)	F	148
		COROLLA/SPRINTER	87/08~	CE96V(Van) CARTRIDGE TYPE	F	148
		CORONA	87/12~	CE97V(Wagon) CARTRIDGE TYPE AT175(4WD)	F	154
●Z3102 (S3102)	TOYOTA	CORONA	80~	TT132(For M.E.Countries)	F	153
●Z3106 (S3106)	NISSAN	CEDRIC/GLORIA	87/06~91/05	Y31,***Incl.,Y31(LPG) Y31***Original TUJY31(Diesel)	F	107
●Z3113 (S3113)	TOYOTA	CRESSIDA/MARK II /CHASER/CRESTA	88/10~	GX70G(Wagon),YX76V,LX76V ***Van	F	158
Z3117	TOYOTA	CAMRY (FF)/VISTA(FF)	86/08~90/07	SV20,SV21 (Excl.GT),CV20	F	140
		CAMRY (FF)/VISTA(FF)	86/08~90/07	SV21(GT,Excl. TEMS TYPE)	F	140
		CAMRY (FF)/VISTA(FF)	87/04~88/08	SV22,VZV20(Excl. TEMS TYPE)	F	140
		CAMRY (FF)/VISTA(FF)	88/08~90/07	VZV20(Excl. TEMS TYPE)	F	140
		CAMRY (FF)/VISTA(FF)	90/07~94/06	SV25(4WD)	F	140
		CAMRY (FF)/VISTA(FF)	90/07~94/06	SV30,SV32,SV33,VZV31 VZV32/33 with 4WS;Four Wheel Steering	F	140
Z3118	TOYOTA	CAMRY (FF)/VISTA(FF)	86/08~90/07	SV21(GT,Excl. TEMS TYPE) SV22,VZV20(Excl. TEMS TYPE)	R	140
●Z3119	TOYOTA	CAMRY (FF)/VISTA(FF)	86/08~90/07	SV20,SV21 (Excl.GT),CV20	R	140
●Z3120 (S3120)	TOYOTA	COROLLA/SPRINTER	87/05~92/05	AE92	F	148
●Z3121	TOYOTA	CARINA	85/08~85/11	SA60G	F	144
		CARINA	85/08~85/11	TA67V,CA67V	F	144
		CARINA	85/08~88/04	SA60 SED Coupe,AA60,AA60G	F	144
		CORONA	85/08~87/12	ST140	F	153
		CORONA	85/08~	KT147V,CT174V***Van	F	154
Z3146	TOYOTA	CARINA(FF)	92/02~96/01	AT190,ST191,CT190 incl.ABS	F	145
		CORONA	92/02~96/01	AT190,ST191,CT190	F	154
		CORONA/CARINA Σ	92/02~96/01	AT190,ST191,CT190	F	156
		CORONA/CARINA Σ	96/02~98/05	ST191,CT190 2.0/2.0Diesel SED/ LB:5DoorHB with Harsh Road Package CARTRIDGE TYPE	F	157
		CORONA/CALDINA	92/11~96/01	CT196V 2000 DIESEL	F	155
		CORONA/CALDINA	99/12~02/09	ST215G/W(2.0/2.0Turbo 4WD GT/GTT) CARTRIDGE TYPE	F	156
Z3153	TOYOTA	CAMRY (FF)/VISTA(FF)	90/07~94/06	CV30(Diesel)	F	140
		CAMRY (FF)/VISTA(FF)	94/06~98/06	SV40,SV41,SV42,CV40	F	141
Z3154	TOYOTA	CAMRY (FF)/VISTA(FF)	90/07~94/06	SV30,SV32,SV33,VZV31	R	140
		CAMRY (FF)/VISTA(FF)	90/07~94/06	CV30(Diesel)	R	140
		CAMRY (FF)/VISTA(FF)	94/06~98/06	SV40,SV41,SV42,CV40	R	141
		CAMRY/AVALON/SCEPTER/VIENTA/LEXUS ES300(WINDOW)	91/06~94/08	SXV10,VCV10	R	142
Z3155	TOYOTA	RAV-4	94/04~98/01	SXA10G,SXA11G	F	172

STOCK NO.

O.E.M NO.

KIT

Z4000 SERIES

TOKICO NO.	MANUFACTURER	VEHICLE	YEAR	MAKE & MODEL	VEHICLE POSITION	REF PAGE
●Z4004 (S4004)	ISUZU	ASKA ASKA	85/06~90 85/06~90	JJ110,120,510(LS) JJ110,JJ510,120(LT,LJ,LX,LF, LS/J)	F F	70 70

STOCK NO.

O.E.M NO.

KIT

MEMO

**NUMERICAL
LISTING
(O.E.M NO.)**

*:Please refer to the contents for further details.

STOCK NO.

O.E.M. NO.

KIT

OEM NO.	TOKICO NO.	REF PAGE	OEM NO.	TOKICO NO.	REF PAGE	OEM NO.	TOKICO NO.	REF PAGE
* 0183-28-700	3161	83, 89	0866-34-960B	S1028	89	21007-GA091	U3389	130
0183-28-700A	3161	83	0866-34-960C	S1028	89	21007-GA092	U3389	130
0183-34-700A	3160	83	0866-34-960D	S1028	89	21007-GA170	U3390	130
0187-34-700	2252	88	0866-49-790A	S1028	89	21007-GA171	U3390	130
* 0200-16-331	●1049	53	0866-49-790B	S1028	89	* 21007-GA340	U3390	130
* 0202-16-331	●1049	53	0866-49-790C	S1028	89	21007-GA391	U3389	130
* 0208-28-700	●2253	83	0866-49-790D	S1028	89	* 21007-GA392	U3389	130
* 0259-28-700	●2253	83	1004-28-700	E2291	86	* 21007-GA411	U3389	130
* 0271-36-331	●1049	53	1004-28-700	●EL2278	86	21007-GA470	U3389	130
* 0317-99-281	●2253	83	1004-28-700	●G2291	86	* 21007-GA471	U3389	130
0317-99-281A	●2253	83	1004-28-700B	E2291	86	* 21007-GA480	U3389	130
03241-77001	3004	101	1004-28-700B	●EL2278	86	* 21007-GA501	U3390	130
03260-23001	5011	92	1004-28-700B	●G2291	86	* 21007-GA800	U3390	130
03260-23003	5011	92	1011-28-700B	E2291	86	* 21007-GA820	U3390	130
03260-23005	5011	92, 101	1011-28-700B	●EL2278	86	* 21007-GA980	U3390	130
* 03260-6200	3260	92	1011-28-700B	●G2291	86	21009-GA101	●A2102	130
* 03260-6300	3260	92	1011-34-910A	S1009	86	* 21009-GA101	A2102	130
* 03260-6500	3178	92, 93, 95, 100	1011-99-281	E2291	86	21009-GA111	●A2103	130
* 03260-65001	3178	92, 93, 95, 100	1011-99-281	●EL2278	86	* 21009-GA111	A2103	130
* 03260-67001	E3178	92, 93, 95	1011-99-281	●G2291	86	21009-GA241	●A2106	130
* 03260-67002	E3178	92, 93, 95	1029-28-700	E2291	86	21009-GA251	●A2107	130
* 03260-69001	E3178	92, 93, 95	1029-28-700	●EL2278	86	* 21009-GA301	●A2106	130
03260-82002	●6012	92	1029-28-700	●G2291	86	* 21009-GA311	●A2107	130
03260-82003	●6012	92	* 1316-34-700	3244	89	* 21009-GA680	●A2106	130
03260-82004	●6012	92	1363-28-700	●2506	89	* 21009-GA690	●A2107	130
03260-82005	●6012	92	* 1363-28-700	3161	83, 89	* 21022-GA440	U3389	130
03261-54000	5027	101	* 1363-99-281	3161	83, 89	* 21022-GA441	U3389	130
03261-54001	5027	101	1391-28-700	2504	82	* 21022-GA801	U3390	130
03261-54002	5027	101	* 1391-28-700A	2504	53, 82, 96, 98, 160, 176	* 21032-GA391	A2102	130
03261-54003	5027	101	1391-34-700	2503	82	* 21032-GA401	A2103	130
03261-57000	5035	101	1391-34-700A	2503	82	* 21032-GA411	A2102	130
03261-58000	●5034	101	* 1391-34-700B	2503	82	* 21032-GA421	A2103	130
03261-58001	●5034	101	* 1391-34-910	2503	82	* 21032-GA431	A2102	130
03261-58002	●5034	101	* 1391-99-281	2504	53, 82, 96, 98, 160, 176	* 21032-GA441	A2103	130
0391-28-700	2504	82	1410-28-700	2614	82	21032-GA451	●A2102	130
0391-28-700A	2504	82	1416-28-700	●2656	89	* 21032-GA451	A2102	130
* 04488-20041	2154	136	1416-34-700	2655	89	21032-GA461	●A2103	130
04488-21020	2518	152	1416-37-700	2655	89	* 21032-GA461	A2103	130
0559-28-700	3161	89	1416-49-330	2655	89	* 21106-GA140	U3390	130
0559-34-700	3244	89	* 1-51600-020-0	4046	73, 74, 75	* 2110-6GA150	U3390	130
0585-28-700A	2276	89	1-51600-176-0	SD2585	75	* 21106-GA180	U3390	130
0585-28-700A	●G2276	89	* 1-51600-265-2	4046	73, 74, 75	* 21106-GA190	U3390	130
0585-28-700B	2276	89	* 1-51600-266-2	4046	73, 74, 75	* 21106-GA220	U3390	130
0585-28-700B	●G2276	89	* 1-51600-271-1	4046	73, 74, 75	* 21106-GA240	U3390	130
0585-28-700C	2276	89	* 1-51600-272-1	4046	73, 74, 75	* 21520-GA120	A2102	130
0585-28-700C	●G2276	89	1-51630-006-0	5016	70	* 21520-GA130	A2103	130
0585-28-700D	2276	89	1-51630-011-0	5019	74, 75	* 21520-GA140	A2102	130
0585-28-700D	●G2276	89	1-51630-020-0	4046	73, 74, 75	* 21520-GA150	A2103	130
* 0602-34-700A	2252	83, 88	1-51630-033-0	3232	73, 75	* 21520-GA270	●A2106	130
0603-28-700	2130	88	1-51630-039-0	3232	74	* 21520-GA280	●A2107	130
0603-28-700	●EL2130	88	1-51630-039-1	3232	74	* 21520-GA370	●A2106	130
0603-34-700A	2275	88	1-51630-039-2	3232	74	* 21520-GA380	●A2107	130
0603-34-700A	●E2275	88	1-51630-052-0	5037	74	* 21520-GA390	●A2106	130
0606-28-700	3161	83	1-51630-053-0	5042	75	* 21520-GA400	●A2107	130
* 0613-34-700	2252	83, 88	1-51630-053-1	5042	75	* 21520-GA470	●A2106	130
* 0652-28-700	●2253	83	1-51630-053-2	5042	75	* 21520-GA480	●A2107	130
* 0662-28-700	●2253	83	1-51630-076-0	5016	70, 73	* 21520-GA510	●A2106	130
* 0662-34-700	2252	83, 88	1-51630-079-0	5016	70	* 21520-GA520	●A2107	130
* 0662-99-341	2252	83, 88	* 1-51630-093-0	4046	73, 74, 75	2461-34-700	2252	83
0662-99-341B	2252	83	1-51630-104-2	2869R	70	30618110	Q2947	98
* 0706-34-700	2252	83, 88	1-51630-105-2	2870R	70	30618110	U2947	98
0778-28-700	●2253	83	* 1-51630-121-1	3364	160, 161	* 32615-4002	5027	101
* 0778-99-281	●2253	83	1-51630-131-0	5016	75	34920-6401P	●3099	106
* 0862-28-700	●G1122	89	1-51630-132-0	2894R	70	34920-6408P	●3099	106
0866-28-700A	●G1122	89	1-51630-149-1	2895R	70	34953-4401	●3099	112
0866-28-700B	●G1122	89	1-51630-151-0	2869R	70	34953-4402P	●3099	112
* 0866-34-910	●S1032	83	1-51630-151-1	2869R	70	34953-4403	●3099	112
0866-34-910A	S1028	89	1-51630-152-0	2870R	70	34953-4404P	●3099	112
0866-34-910B	S1028	89	1-51630-152-1	2870R	70	34988-6301	●3016	108
0866-34-910C	S1028	89	* 1-51630-167-0	4020	73, 74, 75	34988-6302P	●3016	108
0866-34-910D	S1028	89	1-51630-173-1	4046	75	34999-6501P	3138	108, 109
* 0866-34-960	●S1032	83	* 1-51630-202-0	4046	73, 74, 75	* 35003-6401P	E3435	106, 107
0866-34-960A	S1028	89	20360-TA501	1212	130	* 35003-6403P	E3435	106, 107

OEM NO.	TOKICO NO.	REF PAGE	OEM NO.	TOKICO NO.	REF PAGE	OEM NO.	TOKICO NO.	REF PAGE
35998-4401P	3068	112	41601-67010	●S1034	134	* 41602-63J10	B2258	137
35998-4401P	E3344	112	41601-70C10	A2158	130, 135	* 41602-63J11	B2258	137
35998-4401P	●EL3344	112	41601-70C10	B2158	130, 135	41602-63J12	B2258	137
35998-4402P	3004	112	41601-70C21	A2158	130, 135	* 41602-63J12-000	B2258	137
35998-6301	3017	108	41601-70C21	B2158	130, 135	* 41602-63J61	B2260	137
35998-6302P	3017	108	41601-71C00	A2158	135	* 41602-63J62	B2260	137
* 35998-6401P	E3435	106, 107	41601-71C00	B2158	135	41602-63J64	B2260	137
* 35998-6403P	E3435	106, 107	41601-72010	●S1054	134	41602-64B10	A2159	135
35999-4401P	3068	112	41601-74F10	A1097	137	41602-64B10	B2159	135
35999-4401P	E3344	112	41601-74F20	A1097	137	41602-70C10	A2159	130, 135
35999-4401P	●EL3344	112	41601-74F30	A1097	137	41602-70C10	B2159	130, 135
35999-4402P	3004	112	41601-75F10	A1097	137	41602-70C21	A2159	130, 135
35999-6501P	3068	108	41601-75F40	A1097	137	41602-70C21	B2159	130, 135
35999-6501P	E3344	108	41601-75F50	A1097	137	41602-71C00	A2159	135
35999-6501P	●EL3344	108	41601-77310	S1117	135	41602-71C00	B2159	135
35999-6502P	3068	109	41601-77310-L000	S1117	135	41602-72010	●S1054	134
35999-6502P	E3344	109	41601-77510	S1118	136	41602-74F10	A1098	137
35999-6502P	●EL3344	109	41601-77511-L000	S1118	136	* 41602-74F10-000	A1098	137
3874-28-700	2502	88	41601-79010	S1080	134	41602-74F20	A1098	137
3874-34-700	2501	88	41601-79022	S1117	135	41602-74F30	A1098	137
* 40016-43100	2221	109	41601-79030	S1096	134	41602-75F10	A1098	137
* 40016-43101	2221	109	41601-79031	S1096	134	41602-75F40	A1098	137
41068-63J14	B2257	137	41601-79040	S1096	134	41602-75F50	A1098	137
41068-63J62	B2259	137	41601-79041	S1096	134	41602-77310	S1117	135
* 41068-77J20	B2257	137	41601-79050	S1080	134	41602-77510	S1118	136
41069-63J14	B2258	137	* 41601-79E10	A3086	136	41602-79010	S1080	134
41069-63J62	B2260	137	* 41601-79E10	B3086	136	41602-79022	S1117	135
* 41069-77J20	B2258	137	41601-80E00	A2158	135	41602-79030	S1096	134
4120-34-910	●S3051	82	41601-80E00	B2158	135	41602-79031	S1096	134
4120-34-910A	●S3051	82	41601-82010	●A1044	135	41602-79040	S1096	134
4120-34-960	●S3051	82	* 41601-82010	●A1045	135	41602-79041	S1096	134
4120-34-960A	●S3051	82	41601-82010	●B1044	135	41602-79050	S1080	134
* 4123-6431	2220	106, 109	* 41601-82010	●B1045	135	* 41602-79E10	A3087	136
* 41516-43100	2221	109	41601-82020	●A1044	135	* 41602-79E10	B3087	136
* 41600-52010	●1049	53	* 41601-82020	●A1045	135	41602-80E00	A2159	135
* 41600-52040	●1049	53	41601-82020	●B1044	135	41602-80E00	B2159	135
* 41600-53010	●1049	53	* 41601-82020	●B1045	135	41602-82010	●A1045	135
* 41600-53040	●1049	53	* 41601-82030	●A1045	135	* 41602-82010	●B1044	135
* 41600-61010	2510	53	* 41601-82030	●B1045	135	41602-82010	●B1045	135
* 41600-61040	2510	53	* 41601-82070	●A1045	135	41602-82020	●A1045	135
* 41600-62010	2510	53	* 41601-82070	●B1045	135	* 41602-82020	●B1044	135
* 41600-62040	2510	53	41601-82110	●A1044	135	41602-82020	●B1045	135
* 41600-63010	2154	136	* 41601-82110	●A1045	135	* 41602-82030	●A1045	135
* 41600-63010	E2154	136	41601-82110	●B1044	135	* 41602-82030	●B1045	135
41600-63011	2154	136	* 41601-82110	●B1045	135	* 41602-82070	●A1045	135
41600-63011	E2154	136	* 41601-84011	A1081	134	* 41602-82070	●B1045	135
* 41600-70A00	2154	136	* 41601-84022	A1081	134	41602-82110	●A1045	135
* 41600-70A00	E2154	136	* 41601-84130	A1081	134	* 41602-82110	●B1044	135
41600-80000	2154	136	* 41601-84131	A1081	134	41602-82110	●B1045	135
41600-80000	E2154	136	* 41601-84161	A1081	134	* 41602-84011	A1082	134
41600-80001	2154	136	* 41601-84310	A1081	134	* 41602-84022	A1082	134
41600-80001	E2154	136	* 41601-84311	A1081	134	* 41602-84130	A1082	134
* 41601-36090	A1060	135	41601-84312	A1081	134	* 41602-84131	A1082	134
* 41601-56B00	A3086	136	* 41601-84350	A1081	134	* 41602-84161	A1082	134
* 41601-56B00	B3086	136	* 41601-85CA0	A3086	136	* 41602-84310	A1082	134
41601-60A00	A3086	136	* 41601-85CA0	B3086	136	* 41602-84311	A1082	134
41601-60A00	B3086	136	41601-86040	A1060	135	41602-84312	A1082	134
* 41601-60A10	A3086	136	41601-86040	●B1060	135	* 41602-84350	A1082	134
* 41601-60A10	B3086	136	41601-86060	A1060	135	* 41602-85CA0	A3087	136
41601-60B10	A2158	135	41601-86060	●B1060	135	* 41602-85CA0	B3087	136
41601-60B10	B2158	135	41601-86070	A1060	135	41602-86040	A1061	135
41601-63B11	●A2160	135	41601-86070	●B1060	135	41602-86040	●B1061	135
41601-63B21	●A2160	135	* 41601-86090	A1060	135	41602-86060	A1061	135
* 41601-63J10	B2257	137	* 41602-56B00	A3087	136	41602-86060	●B1061	135
* 41601-63J11	B2257	137	* 41602-56B00	B3087	136	41602-86070	A1061	135
41601-63J12	B2257	137	41602-60A00	A3087	136	41602-86070	●B1061	135
* 41601-63J12-000	B2257	137	41602-60A00	B3087	136	* 41602-86090	A1061	135
* 41601-63J61	B2259	137	* 41602-60A10	A3087	136	41700-52D01	E2998	136
* 41601-63J62	B2259	137	* 41602-60A10	B3087	136	* 41700-52D12	E2998	136
* 41601-63J62-000	B2259	137	41602-60B10	A2159	135	* 41700-53010	E2048	
41601-63J64	B2259	137	41602-60B10	B2159	135	* 41700-53040	E2048	
41601-64B10	A2158	135	41602-63B11	●A2161	135	41700-56B00	●2871	136
41601-64B10	B2158	135	41602-63B21	●A2161	135	41700-56B00	2872	136

All items marked * are not shown on the contents of the catalogue. Written TOKICO No are just for your reference.

STOCK NO.

O.E.M. NO.

KIT

STOCK NO.

O.E.M. NO.

KIT

OEM NO.	TOKICO NO.	REF PAGE	OEM NO.	TOKICO NO.	REF PAGE	OEM NO.	TOKICO NO.	REF PAGE
41700-56B00	●E2871	136	41700-85010	1194	135	41800-84310	1169	134
41700-56B00	●E2872	136	41700-85510	1195	135	41800-84340	1169	134
41700-56B00	E2916	136	41700-85510	●E1195	135	41800-84410	1169	134
41700-60A00	●2871	136	* 41700-85510	E2916	136	41800-95F10	1182	137
41700-60A00	2872	136	* 41700-85C10	E2916	136	* 41800-A78B00	1182	134, 137
41700-60A00	●E2871	136	* 41700-85C20	E2916	136	* 41800-A78B10	1182	134, 137
41700-60A00	●E2872	136	* 41800-50A00	1182	134, 137	* 41800-A78B20	1182	134, 137
41700-60A00	E2916	136	* 41800-50E10	1182	134, 137	41810-86060	1175	135
41700-60A01	●2871	136	41800-50E10	●1189	134	41810-86060	●E1175	135
41700-60A01	2872	136	41800-51A00	1182	134	41810-86070	1175	135
41700-60A01	●E2871	136	41800-52A00	1182	134	41810-86070	●E1175	135
41700-60A01	●E2872	136	41800-53A00	1182	134	41810-86080	1175	135
41700-60A01	E2916	136	41800-53A00	●1189	134	41810-86080	●E1175	135
41700-60A10	●2871	136	41800-54A00	1182	134	* 41810-86160	1175	135
41700-60A10	2872	136	41800-60B10	A1078	135	* 4221-6431	●3233	108, 109
41700-60A10	●E2871	136	41800-60B10	●B1078	135	* 4251-6331	2510	53
41700-60A10	●E2872	136	* 41800-60B10	●B1078	135	* 44211-51200	B3102	107
41700-60A10	E2916	136	41800-60B20	A1078	135	* 44212-51200	B3103	107
41700-60A11	●2871	136	41800-60B20	●B1078	135	45700-35010	SD2001	166
41700-60A11	2872	136	* 41800-60B20	●B1078	135	45700-35020	SD2001	166
41700-60A11	●E2871	136	41800-60B50	A1078	135	45700-35025	SD2001	166
41700-60A11	●E2872	136	41800-60B50	●B1078	135	45700-35030	SD2007	166
41700-60A11	E2916	136	* 41800-60B50	●B1078	135	45700-39025	SD2001	166
41700-60AA0	●2871	136	* 41800-60B51	A1078	135	45700-39035	SD2007	166
41700-60AA0	2872	136	* 41800-60B51	●B1078	135	* 45700-39056	SD2007	166
41700-60AA0	●E2871	136	41800-60B60	A1078	135	45700-60010	SD3001	170
41700-60AA0	●E2872	136	41800-60B60	●B1078	135	45700-60011	SD3001	170
41700-60AA0	E2916	136	* 41800-60B60	●B1078	135	45700-60012	SD3001	170
41700-60AA1	●2871	136	* 41800-60B71	A1078	135	45700-60013	SD3001	170
41700-60AA1	2872	136	* 41800-60B71	●B1078	135	45700-60020	SD2008	170
41700-60AA1	●E2871	136	* 41800-60B80	A1078	135	45700-69015	SD3001	170
41700-60AA1	●E2872	136	* 41800-60B80	●B1078	135	45700-69025	SD2008	170
41700-60AA1	E2916	136	41800-64B10	A1078	135	45700-87601	SD1010	54
41700-60AB1	●2871	136	41800-64B10	●B1078	135	45700-87604	SD1010	54
41700-60AB1	2872	136	* 41800-64B10	●B1078	135	47520-20610	Z3097	154
41700-60AB1	●E2871	136	41800-64B30	A1078	135	48500-09020	2612	167
41700-60AB1	●E2872	136	41800-64B30	●B1078	135	* 48500-09040	2612	52, 167, 171, 175
41700-60AB1	E2916	136	* 41800-64B30	●B1078	135	* 48500-09050	2612	52, 167, 171, 175
41700-61010	1068	134, 135	* 41800-64B50	A1078	135	* 48500-09080	2612	52, 167, 171, 175
41700-61010	1219	135	* 41800-64B50	●B1078	135	48500-0B020	2612	167
41700-61J10	20004	134	* 41800-64B51	A1078	135	* 48500-0B030	2612	52, 167, 171, 175
* 41700-63010	E2697	136	* 41800-64B51	●B1078	135	* 48500-0B030A	2612	52, 167, 171, 175
41700-63011	2254	136	* 41800-71B00	1182	134, 137	* 48500-0B040	2612	52, 167, 171, 175
* 41700-63011	E2697	136	* 41800-71B01	1182	134, 137	* 48500-0B050	2612	52, 167, 171, 175
41700-63011	●EL2254	136	41800-71B01	●1189	134	* 48500-0B050A	2612	52, 167, 171, 175
41700-65C00	1195	135	* 41800-71B02	1182	134, 137	* 48500-0B080	2612	52, 167, 171, 175
41700-65C00	●E1195	135	41800-71B02	●1189	134	* 48500-0N900	2612	52, 167, 171, 175
* 41700-65C00	E2916	136	* 41800-71B50	1182	134, 137	48500-1040	5029	58
41700-65D00	E2916	136	41800-71B50	●1189	134	48500-1120	5032	58, 59
41700-65D01	E2916	136	* 41800-72B00	1182	134, 137	48500-1160	3256	58
41700-67D00	E2916	136	41800-72C50	A2237	130, 135	* 48500-1210A	5032	58, 59, 60
41700-67D01	E2916	136	* 41800-74300	1182	134, 137	48500-1290	3322	58
* 41700-70A00	E2697	136	* 41800-75F10	1182	134, 137	48500-1340	5032	60
* 41700-70A00-000	E2697	136	41800-75F11	1182	137	* 48500-1510	3169	70, 71, 73
41700-73010	2254	136	41800-76G00	E1182	134	* 48500-20010	2092	152, 153, 157, 164, 171, 174
41700-73010	2548	136	* 41800-76G00-000	E1182	134	* 48500-20020	2092	152, 153, 157, 164, 171, 174
41700-73010	●EL2254	136	41800-77G00	E1182	134	* 48500-20060	2092	152, 153, 157, 164, 171, 174
* 41700-75D00	1195	135	41800-78040	1148	136	* 48500-20070	2092	152, 153, 157, 164, 171, 174
* 41700-75D00	E2916	136	41800-78041	1148	134, 135, 136	* 48500-20081	2092	152, 153, 157, 164, 171, 174
41700-77320-L000	1068	135	* 41800-78041-000	1148	134, 135, 136	* 48500-20100	2092	152, 153, 157, 164, 171, 174
41700-77320-L000	1219	135	41800-78511	1169	134	* 48500-20101	2092	152, 153, 157, 164, 171, 174
41700-77500	1218	136	* 41800-78512	1169	134, 136	* 48500-20130	2092	152, 153, 157, 164, 171, 174
41700-77500-L000	1218	136	* 41800-78B00	1182	134, 137	* 48500-21011	2092	152, 153, 157, 164, 171, 174
41700-77E00	E2916	136	41800-78B00	●1189	134	* 48500-22010	2092	152, 153, 157, 164, 171, 174
41700-79510	1160	134, 135	41800-78G00	E1182	134	* 48500-22020	2092	152, 153, 157, 164, 171, 174
* 41700-79E00	E2916	136	* 41800-82010	1163	135	* 48500-22040	2092	152, 153, 157, 164, 171, 174
41700-80000	2697	136	41800-82030	1163	135	* 48500-23050	2186	72, 82, 86, 110, 153, 157, 171
41700-80000	E2697	136	* 41800-82080	1163	135	* 48500-27010	2092	152, 153, 157, 164, 171, 174
41700-80001	2697	136	41800-82111	1163	135	* 48500-27020	2612	167, 171, 175
41700-80001	E2697	136	41800-84010	1169	134, 136	* 48500-27050	2612	167, 171, 175
* 41700-80001-000	E2697	136	41800-84040	1169	134	48500-27060	2713	171
* 41700-80061	E2697	136	41800-84110	1169	134	48500-27060	E2713	171
41700-85010	1068	134	41800-84140	1169	134	* 48500-27130	E2819	175

OEM NO.	TOKICO NO.	REF PAGE	OEM NO.	TOKICO NO.	REF PAGE	OEM NO.	TOKICO NO.	REF PAGE
* 48500-27140	2612	167, 171, 175	* 48500-29376	E2819	175	48510-0K100	U3768	167
* 48500-27140A	2612	167, 171, 175	* 48500-29425	E2819	175	* 48510-0K130	U3768	167
* 48500-27190	2612	167, 171, 175	* 48500-29485A	2612	167, 171, 175	48510-0K140	U3768	167
* 48500-27190C	2612	167, 171, 175	* 48500-29505	2612	167, 171, 175	* 48510-0K180	U3768	167
* 48500-28010	2092	152, 153, 157, 164, 171, 174	* 48500-29605	E2819	175	48510-0K190	U3768	167
* 48500-28010	●2470	175	* 48500-29606	E2819	175	* 48510-0K200	U3768	167
* 48500-28080	2612	167, 171, 175	48500-3210A	5059	60	* 48510-0K210	U3768	167
48500-28090	E2819	175	* 48500-38010	2612	167, 171, 175	* 48510-0K310	U3773	166, 167
48500-28110	2713	171, 175	* 48500-38030	2612	167, 171, 175	* 48510-0K330	U3768	167
48500-28110	E2713	171, 175	48500-39015	2092	164, 174	* 48510-0K340	U3768	167
48500-28120	2612	175	48500-39015	●EL2092	174	* 48510-0K350	U3768	167
48500-29015	2092	157	48510-01030	B3088	150	* 48510-0K360	U3768	167
48500-29015	●EL2092	157	* 48510-01030	Z1108	148, 149, 150	48510-0K410	U3768	167
48500-29025	2092	157	48510-02140	B3232	150	* 48510-0K420	U3768	167
48500-29025	●EL2092	157	48510-02150	B3232	150, 151	* 48510-0K430	U3773	166, 167
48500-29035	2092	152, 153	48510-02321	B3301	152	48510-10012	S1005	51, 172
48500-29035	●EL2092	152, 153	48510-02360	B3232	151	48510-10012	●Z1005	51, 172
48500-29045	2092	153	* 48510-02370	B3232	150, 151, 171	48510-10032	S1005	51, 172
48500-29045	●EL2092	153	48510-02650	B3271	151	48510-10032	●Z1005	51, 172
48500-29055	2092	153	* 48510-04090	U3785	166, 170	48510-10040	●S1006	51, 173
48500-29055	●EL2092	153	48510-06230	B3184	142	48510-10050	●S1006	51, 173
48500-29065	2092	153	48510-06240	B3184	142	48510-10060	S1045	173
48500-29065	●EL2092	153	48510-0624C	B3184	142	48510-10060	●Z1045	173
48500-29075	2092	52, 171	48510-06320	B3212	141	48510-10070	S1045	173
48500-29075	●EL2092	171	48510-06451	B3251	141	48510-10070	●Z1045	173
48500-29085	2092	157	48510-06500	B3255	141	48510-10080	S1045	173
48500-29085	●EL2092	157	48510-07070	B3184	142, 143	48510-10080	●Z1045	173
48500-29095	2092	157	48510-09150	B3224	154, 156, 157	48510-10090	S1045	173
48500-29095	●EL2092	157	48510-09400	A3090	150	48510-10090	●Z1045	173
* 48500-29105	2092	152, 153, 157, 164, 171, 174	48510-09400	B3090	150	48510-10100	S1045	173
* 48500-29106	2092	152, 153, 157, 164, 171, 174	48510-09410	A3090	150	48510-10100	●Z1045	173
48500-29115	2092	153	48510-09410	B3090	150	48510-10110	S1045	173
48500-29115	●EL2092	153	48510-09530	B3232	150	48510-10110	●Z1045	173
48500-29116	2092	153	48510-09540	B3232	150, 151	48510-10120	S1088	173
48500-29116	●EL2092	153	48510-09630	B3212	141	48510-10120	Z1106	173
48500-29125	2092	153	48510-09861	B3301	152	48510-10130	S1088	173
48500-29125	●EL2092	153	48510-09890	B2220	176	48510-10130	Z1106	173
48500-29126	2092	153	* 48510-09900	B2220	176, 177, 178	48510-10131	S1088	173
48500-29126	●EL2092	153	48510-09A00	B2220	176, 177	48510-10131	Z1106	173
* 48500-29145	2092	152, 153, 157, 164, 171, 174	* 48510-09G80	U3773	166, 167	48510-10140	S1088	173
* 48500-29146	2092	152, 153, 157, 164, 171, 174	* 48510-09G90	U3773	166, 167	48510-10140	Z1106	173
* 48500-29155	2092	152, 153, 157, 164, 171, 174	* 48510-09J00	U3768	167	48510-10141	S1088	173
48500-29175	2092	153	* 48510-09J10	U3768	167	48510-10141	Z1106	173
48500-29175	●EL2092	153	* 48510-09J20	U3768	167	48510-10160	S1088	173, 174
* 48500-29185	2092	152, 153, 157, 164, 171, 174	48510-09J40	U3768	167	48510-10160	Z1106	173, 174
48500-29185	●2470	52, 175	* 48510-09J50	U3768	167	48510-10161	S1088	173, 174
* 48500-29195	2092	152, 153, 157, 164, 171, 174	* 48510-09J90	U3768	167	48510-10161	Z1106	173, 174
* 48500-29205	2092	152, 153, 157, 164, 171, 174	* 48510-09K00	U3768	167	48510-10170	S1088	173, 174
48500-29205	●2470	175	* 48510-09K20	U3768	167	48510-10170	Z1106	173, 174
48500-29245	2612	171, 175	* 48510-09K30	U3768	167	48510-10171	S1088	173, 174
* 48500-29246	2612	167, 171, 175	* 48510-09K40	U3773	166, 167	48510-10171	Z1106	173, 174
48500-29255	2612	171	* 48510-09K50	U3773	166, 167	48510-1020	5032	59
* 48500-29265	2092	152, 153, 157, 164, 171, 174	* 48510-09K60	U3768	167	* 48510-1020A	5032	58, 59, 60
48500-29265	●2470	52, 175	* 48510-09K70	U3768	167	* 48510-10210	B2186	174
48500-29275	2713	171, 175	* 48510-09K80	U3768	167	* 48510-10211	B2186	174
48500-29275	E2713	171, 175	* 48510-09K90	U3768	167	* 48510-10220	B2186	174
48500-29276	2713	171, 175	* 48510-09L00	U3773	166, 167	* 48510-10221	B2186	174
48500-29276	E2713	171, 175	* 48510-09L90	U3785	166, 170	* 48510-10230	B2186	174
48500-29285	2713	175	48510-09N50	B3239	177	* 48510-10231	B2186	174
48500-29285	E2713	175	48510-09N60	B3239	177	* 48510-10240	B2186	174
48500-29286	2713	175	* 48510-09Q20	U3773	166, 167	* 48510-10241	B2186	174
48500-29286	E2713	175	* 48510-09Q30	U3773	166, 167	* 48510-10260	B2186	174
48500-29295	2612	175	* 48510-09S00	U3773	166, 167	* 48510-10261	B2186	174
48500-29296	2612	175	* 48510-0D040	B2220	176, 177, 178	48510-10300	B2188	174
* 48500-29297	2612	167, 171, 175	48510-0D060	B2220	176, 177	48510-10320	B2188	174
48500-29315	2713	171, 175	48510-0D200	B3239	177	48510-10330	B2188	174
48500-29315	E2713	171, 175	48510-0D210	B3239	177	48510-10350	B2188	174
48500-29325	2612	175	48510-0K020	U3773	166	48510-10370	B2188	174
48500-29335	E2819	175	* 48510-0K021	U3773	166, 167	48510-10390	B2188	174
48500-29345	2713	171	* 48510-0K050	U3773	166, 167	48510-1040	5032	59
48500-29345	E2713	171	* 48510-0K051	U3773	166, 167	* 48510-1040A	5032	58, 59, 60
48500-29345	E2808	171	48510-0K080	U3773	167	48510-1050	5029	59
* 48500-29375	E2819	175	* 48510-0K090	U3773	166, 167	48510-1060	5032	58, 59

All items marked * are not shown on the contents of the catalogue. Written TOKICO No are just for your reference.

STOCK NO.

O.E.M. NO.

KIT

OEM NO.	TOKICO NO.	REF PAGE	OEM NO.	TOKICO NO.	REF PAGE	OEM NO.	TOKICO NO.	REF PAGE
48510-11010	S1005	172	48510-12410	S1082	148	48510-14092	●Z3007	144, 145, 146
48510-11010	●Z1005	172	48510-12410	Z1082	148	48510-14101	S3007	144, 145
* 48510-12010	S1010	50, 147	48510-12420	S1082	145, 148, 154	48510-14101	●Z3007	144, 145
48510-12020	S1010	147	48510-12420	Z1082	145, 148, 154	48510-14102	S3007	144, 145
48510-12020	S1088	173	* 48510-12440	Z3097	144, 145, 146, 148, 154, 155	48510-14102	●Z3007	144, 145
48510-12020	Z1106	173	48510-12460	S3073	148	48510-14103	S3007	144, 145
48510-12021	S1010	50	48510-12460	●Z3073	148	48510-14103	●Z3007	144, 145
48510-12022	S1010	50	48510-12470	Z3097	145, 148, 154	48510-14112	S3014	146
48510-12030	S1010	147	48510-12471	Z3097	145, 148	48510-14112	●Z3014	146
48510-12030	S1088	173	48510-12480	S3042	148	* 48510-14121	S3042	144, 145, 148, 153
48510-12030	Z1106	173	48510-12480	●Z3042	148	48510-14122	S3042	145
48510-12031	S1088	173	48510-12490	S3042	148	48510-14122	●Z3042	145
48510-12031	Z1106	173	48510-12490	●Z3042	148	* 48510-14123	S3042	144, 145, 148, 153
48510-12032	S1010	50	48510-12500	S3042	148	48510-14130	S3007	144, 145
48510-12040	S1010	147	48510-12500	●Z3042	148	48510-14130	●Z3007	144, 145
48510-12050	S3007	147	48510-12520	B3088	148, 149, 150	48510-14131	S3007	144, 145
48510-12050	●Z3007	147	* 48510-12520	Z1108	148, 149, 150	48510-14131	●Z3007	144, 145
* 48510-12051	S3007	144, 145, 146, 147, 153	48510-12530	B3088	148	* 48510-14140	S3042	144, 145, 148, 153
* 48510-12051	●Z3007	144, 145, 146, 147, 153	* 48510-12530	Z1108	148, 149, 150	48510-14141	S3014	146
* 48510-12060	S1010	50, 147	* 48510-12531	B3088	148, 149, 150	48510-14141	●Z3014	146
48510-12070	S1010	147	48510-12550	B3088	148	48510-14150	S3007	144, 153
48510-12080	S1010	147	48510-12550	Z3101	148	48510-14150	●Z3007	144, 153
48510-12090	S3014	147	48510-12560	B3088	148, 149, 150	48510-14160	S3007	144, 145, 146, 153
48510-12090	●Z3014	147	* 48510-12560	Z3101	148, 149, 150, 154	48510-14160	●Z3007	144, 145, 146, 153
48510-12100	S3014	147	48510-12590	B3088	149, 150	48510-14190	S3042	144, 145, 153
48510-12100	●Z3014	147	* 48510-12590	Z3101	148, 149, 150, 154	48510-14190	●Z3042	144, 145, 153
48510-12110	S3014	147	48510-12600	S3120	148	48510-14200	S3042	144, 145
48510-12110	●Z3014	147	48510-12600	●Z3120	148	48510-14200	●Z3042	144, 145
* 48510-12120	S3014	50, 146, 147, 153	48510-12650	S3120	148	48510-14230	●Z3063	146
* 48510-12120	●Z3014	146, 147, 153	48510-12651	S3120	148	* 48510-14230	●Z3113	158
48510-12130	S1065	147	48510-12660	S3120	148	48510-14250	●S3062	145
48510-12130	Z1065	147	48510-12661	S3120	148	48510-14250	S3113	145
48510-12150	S1065	147	* 48510-12700	Z3101	148, 149, 150, 154	48510-14250	●Z3062	145
48510-12150	Z1065	147	48510-12710	S3120	148	48510-16010	S1052	174
48510-12160	S3014	147	* 48510-12720	Z3101	148, 149, 150, 154	48510-16010	●Z1052	174
48510-12160	●Z3014	147	48510-12750	A3090	149	48510-16020	S1052	174
48510-12161	S3014	147	48510-12750	B3090	149	48510-16020	●Z1052	174
48510-12161	●Z3014	147	* 48510-12760	B3090	149, 150	48510-16021	S1052	174
* 48510-12170	S1065	50, 147	48510-12770	A3090	149, 150	48510-16021	●Z1052	174
* 48510-12170	Z1065	50, 147	48510-12770	B3090	149, 150	48510-16040	S1081	174
48510-12180	S3014	147	48510-12780	A3090	149, 150	48510-16050	S1081	174
48510-12180	●Z3014	147	48510-12780	B3090	149, 150	48510-16070	S1087	173
48510-12181	S3014	147	* 48510-12820	B3090	149, 150	48510-16070	●Z1087	173
48510-12181	●Z3014	147	* 48510-12830	B3090	149, 150	48510-16120	S1081	174
48510-12190	S3014	147	* 48510-12840	B3090	149, 150	48510-16121	S1081	174
48510-12190	●Z3014	147	* 48510-12870	B3090	149, 150	48510-16130	S1081	174
48510-12191	S3014	147	48510-12880	A3090	149	48510-16131	S1081	174
48510-12191	●Z3014	147	48510-12880	B3090	149	48510-16150	S1087	173, 174
48510-12200	S1065	50, 147	48510-12A20	B3287	152	48510-16150	●Z1087	173, 174
48510-12200	Z1065	50, 147	48510-14010	S3007	144	48510-16151	S1087	174
48510-12220	S1065	147	48510-14010	●Z3007	144	48510-16151	●Z1087	174
48510-12220	Z1065	147	48510-14011	S3007	144	* 48510-16161	S1087	173, 174
48510-12230	S3014	147	48510-14011	●Z3007	144	48510-16180	Z1106	174
48510-12230	●Z3014	147	48510-14012	S3007	144	* 48510-16190	Z1106	173, 174
48510-12240	S3014	147	48510-14012	●Z3007	144	48510-16200	Z1106	174
48510-12240	●Z3014	147	48510-14013	S3007	144	48510-16230	S1081	174
48510-12250	S3014	147	48510-14013	●Z3007	144	48510-16250	S1087	174
48510-12250	●Z3014	147	48510-14014	S3007	144, 145	48510-16250	●Z1087	174
48510-12270	S3014	147	48510-14014	●Z3007	144, 145	* 48510-16260	S1087	173, 174
48510-12270	●Z3014	147	48510-14060	S3007	144	48510-16270	S1081	174
48510-12280	S3014	50, 147	48510-14060	●Z3007	144	48510-16280	B2188	174
48510-12280	●Z3014	147	48510-14061	S3007	144	* 48510-16280	S1088	173, 174
48510-12290	S3014	147	48510-14061	●Z3007	144	48510-16280	Z1106	174
48510-12290	●Z3014	147	48510-14062	S3007	144	48510-16281	Z1106	174
48510-12300	S1082	147	48510-14062	●Z3007	144	* 48510-16290	B2186	174
48510-12300	Z1082	147	48510-14063	S3007	144, 145	* 48510-16310	B2186	174
* 48510-12310	Z3097	144, 145, 146, 148, 154, 155	48510-14063	●Z3007	144, 145	* 48510-16360	B2186	174
48510-12330	S1082	145, 147, 154	* 48510-14080	S3007	144, 145, 146, 147, 153	48510-16372	B2186	174
48510-12330	Z1082	145, 147, 154	48510-14090	S3007	144, 145	48510-16620	B2188	175
48510-12340	S3073	147	48510-14090	●Z3007	144, 145	* 48510-18010	B2186	174
48510-12340	●Z3073	147	48510-14091	S3007	144, 145, 146	48510-19355	B2188	175
* 48510-12390	Z3097	144, 145, 146, 148, 154, 155	48510-14091	●Z3007	144, 145, 146	48510-19356	B2188	175
* 48510-12400	Z3097	144, 145, 146, 148, 154, 155	48510-14092	S3007	144, 145, 146	48510-19365	B2188	175

OEM NO.	TOKICO NO.	REF PAGE	OEM NO.	TOKICO NO.	REF PAGE	OEM NO.	TOKICO NO.	REF PAGE
* 48510-19366	B2188	172, 174, 175	* 48510-20160	Z3097	144, 145, 146, 148, 154, 155	48510-22050	S3031	157
48510-19375	B2188	175	48510-20161	S3073	154	* 48510-22090	●S3063	146, 157, 158
* 48510-19376	B2188	172, 174, 175	48510-20161	●Z3073	154	* 48510-22090	S3113	145, 158, 159
48510-19395	B2188	175	* 48510-20161	Z3097	144, 145, 146, 148, 154, 155	48510-22100	●S3063	157
48510-19396	B2188	175	48510-20162	S3073	145, 147, 154	* 48510-22100	●Z3113	158
48510-19425	A3090	149	48510-20162	●Z3073	145, 147, 154	48510-22110	S3064	157
48510-19425	B3090	149	* 48510-20162	Z3097	144, 145, 146, 148, 154, 155	48510-22110	●Z3064	157
48510-19435	A3090	150	48510-20170	Z3146	145	48510-22150	S3064	157
48510-19435	B3090	150	48510-20200	S3014	153	48510-22150	●Z3064	157
48510-19445	A3090	150	48510-20200	●Z3014	153	48510-22170	●S3063	157
48510-19445	B3090	150	48510-20210	S3073	154	* 48510-22170	●Z3113	158
48510-19485	B2188	175	48510-20210	●Z3073	154	48510-22180	●S3063	157, 158
48510-19486	B2188	175	48510-20230	●Z1097	145	* 48510-22180	Z3113	158
48510-19495	B2188	175	* 48510-20240	S3073	144, 145, 147, 148, 154	48510-22190	●S3063	157
48510-19515	B2188	174	* 48510-20240	Z3097	144, 145, 146, 148, 154, 155	* 48510-22190	●Z3113	158
48510-19545	B2188	174	48510-20260	Z3097	144, 146, 155	48510-22200	●S3062	158
48510-19595	A3090	150	48510-20261	S3073	144	48510-22200	S3113	158
48510-19595	B3090	150	48510-20261	Z3097	146	48510-22200	●Z3062	158
* 48510-19656	B2186	174	48510-20262	S3073	144	* 48510-22200	●Z3113	158
* 48510-19676	B2188	172, 174, 175	48510-20262	Z3097	146, 155	48510-22210	●S3062	158
* 48510-19686	B2186	174	48510-20262	Z3101	154	48510-22210	●Z3062	158
* 48510-19696	B2186	174	* 48510-20270	Z3097	144, 145, 146, 148, 154, 155	48510-22220	●S3062	158
48510-19715	A3090	149	48510-20281	S3073	144	48510-22220	●Z3062	158
48510-19715	B3090	149	48510-20282	S3073	144	48510-22240	●S3062	158
* 48510-19795	B2188	172, 174, 175	48510-20282	Z3097	146	48510-22240	●Z3062	158
* 48510-19805	B2188	172, 174, 175	48510-20290	Z3097	154	48510-22300	●S3062	158
* 48510-19835	B2188	172, 174, 175	* 48510-20300	Z3097	144, 145, 146, 148, 154, 155	48510-22300	●Z3062	158
* 48510-19845	B2188	172, 174, 175	48510-20310	●Z3121	144, 153, 154	48510-22310	●S3062	158
48510-19865	B2188	174	48510-20320	●Z3121	144, 153, 154	48510-22310	●Z3062	158
48510-19885	B2188	174	48510-20330	●Z3121	144, 153, 154	48510-22320	S3113	158
48510-1A010	A3090	149	* 48510-20340	Z1082	145, 147, 148, 154	48510-22321	S3113	158
48510-1A010	B3090	149	48510-20350	Z3097	146, 154, 155	48510-22340	S3113	158
48510-1A100	A3090	149	48510-20351	Z3097	146	48510-22350	U3756	158
48510-1A100	B3090	149	48510-20352	Z3097	146	* 48510-22360	U3756	158
48510-1A130	A3090	149	48510-20360	●Z1097	145	48510-22410	U3756	158
48510-1A130	B3090	149	48510-20380	Z3097	154	48510-22460	U3756	158
48510-1A200	A3090	149	48510-20392	Z3097	146	48510-22470	U3756	158
48510-1A200	B3090	149	48510-20400	S3081	154	48510-22480	S3113	158
48510-1A230	A3090	149	48510-20451	Z3097	154	* 48510-22480	●Z3113	158
48510-1A230	B3090	149	48510-20471	Z3097	154	* 48510-22481	S3113	145, 158, 159
48510-1A380	B2299	151	* 48510-20670	B2198	154, 155, 156, 157	* 48510-22482	S3113	145, 158, 159
48510-1A410	B2299	152	48510-20710	Z3146	154, 155, 156	48510-22490	S3113	158
48510-1A480	B2299	151	48510-20760	B3224	154, 156, 157	* 48510-22490	●Z3113	158
48510-1A570	B3289	152	48510-20760	Z3146	145, 154, 155, 156	48510-22500	S3113	158, 159
48510-20010	S3007	153	48510-20770	B2198	154, 156, 157	* 48510-22500	●Z3113	158
48510-20010	●Z3007	153	* 48510-20771	B2198	154, 155, 156, 157	48510-22501	S3113	158
48510-20020	S3102	153	* 48510-20780	B3224	154, 155, 156, 157	48510-22510	S3113	158
48510-20020	●Z3102	153	* 48510-20790	B2198	154, 155, 156, 157	48510-22520	S3113	158
48510-20030	S3014	153	* 48510-20800	B2198	154, 155, 156, 157	* 48510-22520	●Z3113	158
48510-20030	●Z3014	153	* 48510-20801	B2198	154, 155, 156, 157	* 48510-22521	S3113	145, 158, 159
* 48510-20040	S3102	153	* 48510-20831	B2198	154, 155, 156, 157	48510-22570	S3113	158
48510-20050	●S3044	153	48510-20840	B3224	154, 156, 157	* 48510-22610	S3113	145, 158, 159
48510-20051	●S3044	153	* 48510-20850	B3226	155, 156	48510-22620	S3113	158
48510-20052	●S3044	153	* 48510-20860	B2198	154, 155, 156, 157	48510-22620	●Z3113	158
48510-20060	●S3044	153	48510-20861	B2198	155	* 48510-22621	S3113	145, 158, 159
48510-20061	●S3044	153	* 48510-20862	B2198	154, 155, 156, 157	* 48510-22630	U3756	158
48510-20062	●S3044	153	48510-20880	B3224	154, 156, 157	48510-24010	●S3062	145
48510-20070	S3014	153	48510-20881	B3224	154, 156, 157	48510-24010	S3113	145
48510-20070	●Z3014	153	48510-20890	B3224	154, 156, 157	48510-24010	●Z3062	145
* 48510-20092	S3102	153	48510-20A30	B3291	171	* 48510-24010	●Z3113	158
* 48510-20110	S3007	144, 145, 146, 147, 153	48510-20A40	B3291	171	48510-24020	●S3062	145
48510-20110	S3014	153	48510-20A50	B3291	171	48510-24020	S3113	145
48510-20110	●Z3014	153	* 48510-21030	B2198	154, 155, 156, 157	48510-24020	●Z3062	145
48510-20120	S3081	153	48510-21041	B3224	155	* 48510-24020	●Z3113	158
48510-20121	S3081	153	48510-21050	B3226	155	* 48510-24040	S3063	146, 157, 158
48510-20130	S3081	153	48510-21051	B3226	155	* 48510-24040	S3113	145, 158, 159
48510-20131	S3081	153, 154	* 48510-21070	B2198	154, 155, 156, 157	* 48510-24050	S3063	146, 157, 158
48510-20140	S3042	144, 145, 153	48510-21080	B3226	156	* 48510-24050	S3113	145, 158, 159
48510-20140	●Z3042	144, 145, 153	48510-21090	B3226	155, 156	* 48510-26010	3228	92, 95, 96, 162, 163
48510-20150	S3007	144, 145, 146, 153	48510-21100	B3224	156	* 48510-26010	E3228	95, 96, 162, 163
48510-20150	●Z3007	144, 145, 146, 153	48510-22010	S3031	157	48510-29165	U3756	158
48510-20160	S3073	154	* 48510-22020	S3031	157	48510-29175	U3756	158
48510-20160	●Z3073	154	* 48510-22040	S3031	157	48510-29176	U3756	158

All items marked * are not shown on the contents of the catalogue. Written TOKICO No are just for your reference.

STOCK NO.

O.E.M NO.

KIT

STOCK NO.

O.E.M. NO.

KIT

OEM NO.	TOKICO NO.	REF PAGE	OEM NO.	TOKICO NO.	REF PAGE	OEM NO.	TOKICO NO.	REF PAGE
48510-29185	U3756	158	48510-30490	3419	159	48510-39235	Z3153	141
48510-29277	B3224	157	48510-30490	E3419	159	48510-39255	Z3153	141
* 48510-29315	B2198	154, 155, 156, 157	48510-30510	3419	159	48510-39265	Z3153	141
48510-29346	B3226	155	48510-30510	E3419	159	48510-39275	Z3153	141
* 48510-29365	B2198	154, 155, 156, 157	48510-32010	S3072	140	48510-39325	U3825	159
* 48510-29375	B3224	154, 155, 156, 157	48510-32010	●Z3072	140	48510-39326	U3825	159
* 48510-29376	B3224	154, 155, 156, 157	* 48510-32020	S3072	140	48510-39327	U3825	159
48510-29378	B3224	157	48510-32030	S3072	140	48510-39335	U3825	159
* 48510-29385	B3226	155, 156	48510-32030	●Z3072	140	48510-39345	U3825	159
* 48510-29386	B3226	155, 156	48510-32050	S3072	140	48510-39346	U3825	159
48510-29395	B2198	155	48510-32050	●Z3072	140	48510-39347	U3825	159
* 48510-29396	B2198	154, 155, 156, 157	48510-32060	S3072	140	48510-39355	U3825	159
48510-29405	B3224	155, 156, 157	48510-32060	●Z3072	140	48510-39385	U3825	159
48510-29406	B3224	155, 156, 157	48510-32070	S3072	140	48510-39405	U3752	166
48510-29415	B3226	156	48510-32070	●Z3072	140	48510-39406	U3752	166
48510-29445	B2198	155	48510-32080	Z3117	140	48510-39425	U3752	166
* 48510-29446	B2198	154, 155, 156, 157	48510-32081	Z3117	140	48510-39426	U3752	166
48510-29455	B2198	155	* 48510-32082	Z3117	140	48510-39435	U3752	166
* 48510-29456	B2198	154, 155, 156, 157	48510-32090	Z3117	140	* 48510-39436	U3752	166, 169, 170
* 48510-29465	B3224	154, 155, 156, 157	48510-32091	Z3117	140	48510-39486	B3184	142, 143
48510-29475	B3224	157	* 48510-32110	Z3117	140	* 48510-39585	U3752	166, 169, 170
48510-29476	B3224	157	48510-32120	Z3117	140	48510-39615	B3184	142, 143
* 48510-29485	B2198	154, 155, 156, 157	48510-32121	Z3117	140	48510-39715	U3752	166
* 48510-29495	B2198	154, 155, 156, 157	48510-32131	Z3117	140	48510-39775	U3752	166
48510-29545	U3756	158	* 48510-32140	Z3117	140	48510-39815	B3184	142, 143
48510-29575	U3756	158	48510-32170	Z3153	140	48510-39825	B3184	142, 143
48510-29585	U3756	158	48510-32190	Z3117	140	* 48510-4200	S3042	144, 145, 148, 153
* 48510-29625	B2198	154, 155, 156, 157	48510-32200	Z3117	140	48510-42060	B3285	172
48510-29635	B3224	156, 157	48510-33250	B3184	142, 143	48510-42061	B3285	172
48510-29636	B3224	155, 156, 157	48510-33280	B3184	142, 143	48510-42070	B3285	172
48510-29645	B3226	155, 156	48510-33370	B3184	142	* 48510-42080	B3285	172, 173
48510-29646	B3226	155, 156	* 48510-35010	E2649	165	* 48510-42081	B3285	172, 173
48510-29655	B3226	156	* 48510-35040	E2649	165	48510-42090	B3285	173
48510-29656	B3226	156	48510-35050	U3752	166	48510-42091	B3285	173
* 48510-29665	B2198	154, 155, 156, 157	48510-35070	U3752	166	48510-42100	B3285	173
48510-29675	B3224	155, 156, 157	48510-35080	U3752	166	48510-42110	B3285	172
48510-29675	B3226	155	48510-35140	U3752	166	48510-42160	B3245	173
48510-29695	B3224	155	48510-35160	U3752	166	48510-42170	B3245	173
48510-29695	B3226	155, 156	48510-35230	U3785	166, 170	48510-42180	B3245	173
48510-29765	B3226	156	48510-35240	U3785	166, 170	48510-42190	B3245	173
48510-29775	B3226	155, 156	48510-39015	2649	165	48510-42200	B3245	173
48510-29785	B3224	156	* 48510-39015	E2649	165	48510-42300	B3245	173
* 48510-2B010	B2198	154, 155, 156, 157	* 48510-39016	2649	165	48510-46010	B2188	172
48510-2B011	B2198	155	48510-39045	2649	165	48510-46011	B2188	172
* 48510-2B012	B2198	154, 155, 156, 157	* 48510-39045	E2649	165	48510-46030	B2296	172
* 48510-2B030	B3226	155, 156	48510-39055	3419	159	48510-46040	B2297	172
* 48510-2B031	B3226	155, 156	48510-39055	E3419	159	48510-48071	B3259	164
* 48510-2B033	B3226	155, 156	48510-39056	3419	159	48510-48080	B3259	162
48510-2B100	B2198	155	48510-39056	E3419	159	48510-48090	B3259	162
* 48510-2B101	B2198	154, 155, 156, 157	48510-39065	3419	159	48510-48100	B3259	162
48510-2B110	B3224	155	48510-39065	E3419	159	48510-48110	B3259	162, 164
48510-2B111	B3224	155	48510-39066	3419	159	48510-48120	B3259	162
48510-2B120	B3226	156	48510-39066	E3419	159	48510-48130	B3259	162
48510-2B190	B3224	155, 156, 157	48510-39075	3419	159	48510-48140	B3259	162
48510-2B210	B3226	155	48510-39075	E3419	159	48510-48150	B3259	162
48510-2B320	B3232	151, 171	48510-39076	3419	159	48510-48160	B3259	162
48510-30047	3419	159	48510-39076	E3419	159	48510-48180	B3259	162
48510-30047	E3419	159	48510-39085	3419	159	48510-49015	Z3155	172
48510-30150	U3825	159	48510-39085	E3419	159	48510-49016	B3283	172
48510-30151	U3825	159	48510-39086	3419	159	48510-49025	B3285	172
48510-30152	U3825	159	48510-39086	E3419	159	48510-49025	Z3155	172
48510-30160	U3825	159	48510-39095	3419	159	48510-49026	B3283	172
48510-30161	U3825	159	48510-39095	E3419	159	48510-49050	B2244	172
48510-30162	U3825	159	48510-39096	3419	159	48510-49065	B3283	172
48510-30260	U3825	159	48510-39096	E3419	159	48510-49066	B3283	172
48510-30270	U3825	159	48510-39115	3419	159	48510-49095	B2188	172
48510-30300	U3825	159	48510-39115	E3419	159	48510-49096	B2188	172
48510-30430	3419	159	48510-39125	3419	159	48510-49195	B3285	172
48510-30430	E3419	159	48510-39125	E3419	159	* 48510-49205	B3285	172, 173
48510-30450	3419	159	48510-39155	3419	159	* 48510-49215	B3285	172, 173
48510-30450	E3419	159	48510-39155	E3419	159	48510-49285	B3259	164
48510-30470	3419	159	48510-39215	Z3153	141	48510-49365	B3285	173
48510-30470	E3419	159	48510-39225	Z3153	141	48510-49375	B3285	173

OEM NO.	TOKICO NO.	REF PAGE	OEM NO.	TOKICO NO.	REF PAGE	OEM NO.	TOKICO NO.	REF PAGE
48510-49435	B3259	162, 164	* 48510-59207	B2220	176, 177, 178	48510-80091	B3232	151
48510-49445	B3259	162	48510-59215	B2244	177	48510-80092	B3232	151
48510-49455	B3259	162, 164	48510-59216	B2244	177	48510-80093	B3232	151
48510-49465	B2296	172	48510-59217	B2244	177	48510-80094	B3232	151
48510-49475	B2297	172	48510-59235	B2298	140	48510-80095	B3232	151
48510-49485	B2244	172	48510-59236	B2298	140	48510-80174	B3289	152
48510-49515	B3285	172	48510-59237	B2298	140	48510-80176	B2299	152
48510-49525	B3285	172	48510-59245	B2298	140	48510-80179	B3287	152
48510-49535	B3285	173	48510-59246	B2298	140	48510-80198	B3226	155
48510-49565	B3259	164	48510-59265	B2220	178	48510-80199	B3224	155
48510-49575	B3259	162	48510-59275	B2220	178	48510-80213	B3226	155
48510-49595	B3285	172	* 48510-59278	B2220	176, 177, 178	48510-80284	B3245	173
48510-49655	B3259	164	48510-59285	B2220	178	48510-80285	B3245	173
48510-49675	B3259	162	* 48510-59288	B2220	176, 177, 178	48510-80287	B3245	173
48510-49695	B3285	172	48510-59305	B2220	176, 177	* 48510-80328	U3785	166, 170
* 48510-49705	B3285	172, 173	48510-59308	B2220	176, 177	* 48510-80329	U3785	166, 170
48510-49715	B3285	173	* 48510-59315	U3825	159	48510-80366	B3245	173
48510-49805	B3259	162	* 48510-59325	U3825	159	48510-80375	B3291	171
48510-49825	B3259	162	* 48510-59347	B2220	176, 177, 178	48510-80376	B3291	171
48510-49835	B3259	162	* 48510-59475	B2220	176, 177, 178	48510-80377	B3293	167
48510-49885	B3259	162	* 48510-59695	B2220	176, 177, 178	48510-80378	B3281	167
48510-52030	B2220	178	* 48510-59725	B2220	176, 177, 178	* 48510-80378	B3293	167
48510-52031	B2220	178	48510-59785	B2298	140	48510-80386	B3291	171
* 48510-52034	B2220	176, 177, 178	* 48510-59795	B2220	176, 177, 178	* 48510-80395	U3785	166, 170
48510-52040	B2220	178	48510-60040	U3752	169, 170	* 48510-80396	U3785	166, 170
48510-52041	B2220	178	48510-60060	U3752	169, 170	* 48510-80397	U3785	166, 170
* 48510-52044	B2220	176, 177, 178	48510-60070	U3752	169, 170	48510-87103	S1010	50
48510-52050	B2220	178	48510-60090	U3785	166, 170	48510-87104	A1070	50
48510-52052	B2220	178	48510-60100	U3785	170	48510-87104	●B1070	50
48510-52060	B2220	178	48510-60110	U3785	166, 170	48510-87105	A1070	50
48510-52061	B2220	178	48510-60170	U4127	170	48510-87105	●B1070	50
* 48510-52063	B2220	176, 177, 178	48510-63010	B2294	171	48510-87106	A1070	50
48510-52110	B2220	177	48510-69045	U3752	169	48510-87106	●B1070	50
48510-52120	B2220	176, 177	48510-69065	U3752	170	48510-87107	A1070	50
48510-52130	B2244	177	48510-69085	U3752	169, 170	48510-87107	●B1070	50
48510-52131	B2244	177	48510-69086	U3752	169, 170	48510-87108	A1070	50
48510-52132	B2244	177	48510-69095	U3752	169, 170	48510-87108	●B1070	50
48510-52150	B2298	140	48510-69135	B2294	171	48510-87109	A1070	50
48510-52151	B2298	140	48510-69165	U3785	166, 170	48510-87109	●B1070	50
48510-52152	B2298	140	48510-69175	U3785	170	48510-87110	A1070	50
48510-52160	B2298	140	* 48510-69176	U3785	166, 170	48510-87110	●B1070	50
48510-52161	B2298	140	48510-69185	U3785	166, 170	48510-87111	A1070	50
48510-52180	B2220	178	* 48510-69305	U3785	166, 170	48510-87111	●B1070	50
48510-52210	B2220	178	* 48510-69325	U3785	166, 170	48510-87112	A1070	50
* 48510-52213	B2220	176, 177, 178	48510-69335	U4127	170	48510-87112	●B1070	50
48510-52220	B2220	178	48510-69365	U4127	170	48510-87113	A1070	50
* 48510-52223	B2220	176, 177, 178	48510-69395	U4127	170	48510-87113	●B1070	50
48510-52230	B2220	176, 177	48510-69405	U4127	170	48510-87114	A1070	50
* 48510-52352	B2220	176, 177, 178	48510-69565	E4108	169	48510-87114	●B1070	50
48510-52600	B2298	140	48510-80003	A3090	149	48510-87115	A1070	50
* 48510-52650	B2220	176, 177, 178	48510-80003	B3090	149	48510-87115	●B1070	50
* 48510-52670	B2220	176, 177, 178	* 48510-80004	U3825	159	48510-87116	A1070	50
* 48510-52780	B2220	176, 177, 178	* 48510-80005	U3825	159	48510-87116	●B1070	50
48510-52D90	B3293	167	48510-80006	A3090	149	48510-87117	A1070	50
48510-52E10	B3281	167	48510-80006	B3090	149	48510-87117	●B1070	50
* 48510-53010	U3825	159	48510-80007	A3090	149	48510-87118	A1070	50
* 48510-53020	U3825	159	48510-80007	B3090	149	48510-87118	●B1070	50
* 48510-53030	U3825	159	48510-80008	A3090	149	48510-87301	●3261	51
* 48510-53040	U3825	159	48510-80008	B3090	149	48510-87302	2518	51, 52
48510-59145	B2220	178	48510-80009	A3090	149	* 48510-87302	E2186	153, 157, 171
48510-59146	B2220	178	48510-80009	B3090	149	48510-87303	2518	51, 52
* 48510-59149	B2220	176, 177, 178	48510-80013	B3184	141, 142	* 48510-87303	E2186	153, 157, 171
48510-59155	B2220	178	48510-80015	B2299	151	48510-87305	3318	52
48510-59156	B2220	178	48510-80016	B3232	151	48510-87306	3318	52
* 48510-59159	B2220	176, 177, 178	48510-80019	B3232	151	48510-87307	3318	52
48510-59165	B2220	178	48510-80026	B3232	151	48510-87308	3318	52
48510-59167	B2220	178	48510-80029	B3232	151	48510-87501	●1049	53
48510-59175	B2220	178	48510-80030	B3232	151	48510-87502	●1049	53
48510-59176	B2220	178	48510-80052	B2299	152	48510-87503	2510	53
* 48510-59178	B2220	176, 177, 178	48510-80058	B3232	151, 171	48510-87504	2510	53
48510-59195	B2220	176, 177	48510-80086	U3785	166, 170	48510-87537	●S1112	53
48510-59198	B2220	177	48510-80087	U3785	166, 170	48510-87540	S1111	53
48510-59205	B2220	176, 177	48510-80090	B2299	151	48510-87601	2254	54

All items marked * are not shown on the contents of the catalogue. Written TOKICO No are just for your reference.

STOCK NO.

O.E.M NO.

KIT

OEM NO.	TOKICO NO.	REF PAGE	OEM NO.	TOKICO NO.	REF PAGE	OEM NO.	TOKICO NO.	REF PAGE
48510-87601	●EL2254	54	* 48511-12250	Z3097	52, 72, 82, 86, 110	* 48511-26020	E3228	95, 96, 162, 163
48510-87602	2254	54	* 48511-12260	Z3097	153, 157, 171	* 48511-26040	3392	163
48510-87602	●EL2254	54	* 48511-12270	Z3097	52, 72, 82, 86, 110	* 48511-26040	E3392	163
48510-87603	2254	54, 140	* 48511-12280	Z1082	145, 147, 148, 154	48511-26041	3392	163
48510-87603	●EL2254	140	* 48511-12290	Z1082	145, 147, 148, 154	48511-26041	E3392	163
48510-87606	E20003	52	* 48511-12300	Z1082	145, 147, 148, 154	* 48511-26050	3392	163
* 48510-87608	E20003	52	* 48511-12310	B3088	148, 149, 150	* 48511-26050	E3392	163
48510-87680	E20003	52	* 48511-12310	B3089	148, 149, 150	48511-26051	3392	163
* 48510-87682	E20003	52	* 48511-12320	B3088	148, 149, 150	48511-26051	E3392	163
48510-87689	A3090	150	* 48511-12320	B3089	148, 149, 150	* 48511-26060	3392	163
48510-87689	B3090	150	48511-12350	S3120	148	* 48511-26060	E3392	163
48510-87690	A3090	150	48511-12360	S3120	148	48511-26061	3392	163
48510-87690	B3090	150	48511-12370	S3120	148	48511-26061	E3392	163
48510-87700	A3090	150	48511-12380	S3120	148	48511-26090	3392	163
48510-87700	B3090	150	* 48511-12400	B3088	148, 149, 150	48511-26090	E3392	163
48510-87715	A1052	50	* 48511-12400	B3089	148, 149, 150	* 48511-26110	3392	163
48510-87715	●B1052	50	48511-12420	S3120	148	* 48511-26110	E3392	163
48510-87716	A1052	50	48511-12430	S3120	148	48511-26120	3474	163
48510-87716	●B1052	50	* 48511-14010	S3007	144, 145, 146, 147, 153	48511-26120	E3474	163
48510-87717	A1052	50	* 48511-14020	S3007	144, 145, 146, 147, 153	* 48511-26130	3474	121, 163, 164
48510-87717	●B1052	50	* 48511-14100	S3042	144, 145, 148, 153	* 48511-26130	E3474	121, 163, 164
* 48510-87718	A1058	50	* 48511-14110	S3007	144, 145, 146, 147, 153	* 48511-26150	E3474	121, 163, 164
48510-87719	A1058	50	* 48511-16010	Z1106	173, 174	48511-26180	3392	163
48510-87719	●B1058	50	* 48511-16020	Z1106	173, 174	* 48511-26180	E3392	163
48510-87721	A1070	50	* 48511-16030	Z1106	173, 174	* 48511-26200	3474	121, 163, 164
48510-87721	●B1070	50	* 48511-16060	S1081	174	* 48511-26200	E3474	121, 163, 164
48510-87722	A1058	50	* 48511-16070	S1081	174	* 48511-26210	E3474	121, 163, 164
48510-87722	●B1058	50	* 48511-16080	S1081	174	* 48511-26211	E3474	121, 163, 164
48510-87723	A1058	50	* 48511-16090	S1087	173, 174	48511-26240	3529	164
48510-87723	●B1058	50	* 48511-16100	S1087	173, 174	48511-26241	3529	164
48510-87724	A1058	50	* 48511-16110	S1081	174	48511-26280	3529	164
48510-87724	●B1058	50	* 48511-16120	S1081	174	48511-26281	3529	164
48510-87725	A1058	50	* 48511-16130	S1081	174	48511-26282	3529	164
48510-87725	●B1058	50	* 48511-16140	S1087	173, 174	48511-26290	3529	164
48510-87726	A1058	50	* 48511-16150	S1087	173, 174	48511-26320	3529	164
48510-87726	●B1058	50	* 48511-20010	2154	136	48511-26330	3529	164
* 48510-87728	A1058	50	* 48511-20040	S3102	153	48511-26340	3529	164
48510-A9010	B3184	142, 143	* 48511-20180	Z1082	145, 147, 148, 154	48511-26350	3529	164
48510-A9020	B3184	142, 143	* 48511-20190	Z1082	145, 147, 148, 154	48511-26360	3474	164
48510-A9320	B3301	152	48511-20240	Z3097	154	48511-26360	E3474	164
48510-AA010	B3184	142, 143	* 48511-22100	S3064	157	48511-26460	3529	164
48510-AA020	B3184	142, 143	* 48511-22110	S3064	157	* 48511-26630	E3803	147
48510-AB031	B3301	152	* 48511-22170	S3113	145, 158, 159	* 48511-26640	E3803	147
48511-00001	S1119	52	* 48511-22180	S3113	145, 158, 159	48511-26650	E3803	147
48511-0W070	3769	60	* 48511-22190	S3113	145, 158, 159	48511-27010	1140	167
* 48511-10040	S1045	173	* 48511-22240	S3063	146, 157, 158	* 48511-27030	1140	167
* 48511-10060	Z1106	173, 174	* 48511-22240	S3113	145, 158, 159	48511-29015	3228	162, 163
* 48511-10080	Z1106	173, 174	* 48511-22260	S3113	145, 158, 159	48511-29015	E3228	162, 163
* 48511-10090	Z1106	173, 174	* 48511-22280	S3113	145, 158, 159	* 48511-29016	3228	92, 95, 96, 162, 163
* 48511-12010	S1010	50, 147	48511-22290	S3113	158, 159	* 48511-29016	E3228	95, 96, 162, 163
* 48511-12020	S3014	50, 146, 147, 153	* 48511-22300	S3113	145, 158, 159	48511-29025	3228	162
* 48511-12030	S3014	50, 146, 147, 153	48511-22310	S3113	158	48511-29025	E3228	162
* 48511-12050	S3007	144, 145, 146, 147, 153	* 48511-22320	S3113	145, 158, 159	* 48511-29035	E2048	140, 171, 175
* 48511-12051	S3007	144, 145, 146, 147, 153	* 48511-22330	S3113	145, 158, 159	* 48511-29036	E2048	140, 171, 175
* 48511-12060	S1065	50, 147	48511-22340	S3113	158	48511-29045	●2271	176
* 48511-12060	Z1065	50, 147	48511-22350	S3113	158	48511-29046	●2271	176
* 48511-12070	S1010	50, 147	* 48511-22380	S3113	145, 158, 159	48511-29055	●2183	176
* 48511-12080	S1065	50, 147	* 48511-22390	S3113	145, 158, 159	48511-29055	2518	176
* 48511-12080	Z1065	50, 147	* 48511-24010	S3063	146, 157, 158	* 48511-29055	E2186	153, 157, 171
* 48511-12090	S3014	50, 146, 147, 153	* 48511-24010	S3113	145, 158, 159	* 48511-29056	E2186	153, 157, 171
* 48511-12100	S1065	50, 147	* 48511-24020	S3063	146, 157, 158	48511-29065	1140	167
* 48511-12100	Z1065	50, 147	* 48511-24020	S3113	145, 158, 159	* 48511-29085	2663	160, 176
* 48511-12110	S3014	50, 146, 147, 153	* 48511-25011	E2048	140, 171, 175	48511-29095	2663	176
* 48511-12120	S3014	50, 146, 147, 153	* 48511-25050	E2186	153, 157, 171	48511-29105	3232	176
* 48511-12130	S1065	50, 147	* 48511-25070	2663	160, 176	48511-29115	2663	160
* 48511-12130	Z1065	50, 147	* 48511-25080	2663	160, 176	48511-29115	3232	176
* 48511-12140	S1065	50, 147	48511-25110	2663	160	48511-29125	2663	176
* 48511-12140	Z1065	50, 147	* 48511-25160	2663	160, 176	* 48511-29126	2663	160, 176
* 48511-12150	S1065	50, 147	* 48511-25170	2663	160, 176	* 48511-29127	2663	160, 176
* 48511-12150	Z1065	50, 147	* 48511-25240	2663	160, 176	48511-29135	3228	162
* 48511-12160	S3014	50, 146, 147, 153	* 48511-26010	3228	92, 95, 96, 162, 163	48511-29135	E3228	162
* 48511-12170	S3014	50, 146, 147, 153	* 48511-26010	E3228	95, 96, 162, 163	* 48511-29155	1140	167
* 48511-12180	S3014	50, 146, 147, 153	* 48511-26020	3228	92, 95, 96, 162, 163	48511-29165	3392	163

OEM NO.	TOKICO NO.	REF PAGE	OEM NO.	TOKICO NO.	REF PAGE	OEM NO.	TOKICO NO.	REF PAGE
48511-29165	E3392	163	* 48511-30210	E3287	158, 159	* 48511-36070	E3344	160, 163, 165, 167, 168, 174
* 48511-29175	3392	163	* 48511-30290	3151	158, 159	48511-36110	4047	146
* 48511-29175	E3392	163	* 48511-30290	E3287	158, 159	* 48511-36140	3253	160, 161, 171
48511-29185	3392	163	* 48511-30300	E3287	158, 159	48511-36150	3253	160
48511-29185	E3392	163	* 48511-30310	E3287	158, 159	48511-36160	3364	160
* 48511-29195	S3063	146, 157, 158	* 48511-30340	E3287	158, 159	48511-36240	4047	146
* 48511-29195	S3113	145, 158, 159	* 48511-30370	E3287	158, 159	48511-36280	4047	146
* 48511-29255	S3113	145, 158, 159	* 48511-30380	E3287	158, 159	48511-36290	4047	146
* 48511-29265	S3113	145, 158, 159	* 48511-30390	3353	159	48511-37070	3822	161
* 48511-29275	S3063	146, 157, 158	* 48511-30390	E3287	158, 159	48511-37121	3821	161, 162
* 48511-29275	S3113	145, 158, 159	* 48511-30400	3353	159	48511-37122	3821	162
* 48511-29335	S3113	145, 158, 159	* 48511-30430	E3419	159	48511-37140	3822	161
* 48511-29365	3392	163	* 48511-30450	E3419	159	48511-37150	3822	161
* 48511-29365	E3392	163	* 48511-30470	E3419	159	48511-37160	3769	162
* 48511-29366	3392	163	* 48511-30490	E3419	159	48511-37230	3822	161, 162
* 48511-29366	E3392	163	* 48511-30510	3419	159	48511-37240	3822	162
48511-29405	3392	163	* 48511-30510	E3419	159	48511-37250	3822	161, 162
48511-29405	E3392	163	* 48511-32070	Z3117	140	48511-37260	3769	162
48511-29415	3392	163	* 48511-35020	2092	152, 153, 157, 164, 171, 174	48511-37270	3821	162
48511-29415	E3392	163	* 48511-35030	E3288	159	48511-39015	3151	158
* 48511-29416	3392	163	* 48511-35040	2092	152, 153, 157, 164, 171, 174	48511-39015	E3287	158
* 48511-29416	E3392	163	48511-35060	2857	165	48511-39015	●G3208	158
48511-29425	3392	163	* 48511-35130	3388	165, 166	* 48511-39016	3151	158, 159
48511-29425	E3392	163	* 48511-35130	E3388	165, 166, 171	* 48511-39016	E3287	158, 159
48511-29435	3392	163	* 48511-35140	E2649	165	* 48511-39025	3151	158, 159
48511-29435	E3392	163	48511-35190	2726	165	* 48511-39025	E3287	158, 159
48511-29445	3474	163	48511-35190	E2726	165	48511-39035	3822	161
48511-29445	E3474	163	48511-35190	●EL2726	165	48511-39055	2157	174
48511-29455	3474	163	48511-35210	2726	165	48511-39065	3178	160
48511-29455	E3474	163	48511-35210	E2726	165	48511-39065	E3178	160
48511-29465	3474	163	48511-35210	●EL2726	165	48511-39065	●EL3178	160
48511-29465	E3474	163	48511-35260	2649	165	48511-39075	3178	146, 160
* 48511-29485	3392	163	48511-35260	E2649	165	48511-39075	E3178	146, 160
* 48511-29485	E3392	163	* 48511-35270	E2649	165	48511-39075	●EL3178	146, 160
* 48511-29505	2663	160, 176	48511-35280	3388	165	48511-39076	3178	146
* 48511-29506	2663	160, 176	48511-35280	E3388	165	48511-39076	E3178	146
48511-29525	3529	163, 164	48511-35290	3388	165	48511-39076	●EL3178	146
48511-29526	3529	164	48511-35290	E3388	165	48511-39085	3068	160
48511-29527	3529	163, 164	* 48511-35300	E3388	165, 166, 171	48511-39085	E3344	160
48511-29565	3529	163, 164	* 48511-35350	2726	165, 166	48511-39085	●EL3344	160
48511-29566	3529	164	* 48511-35350	E2726	165, 166	48511-39115	3151	158, 159
48511-29567	3529	164	* 48511-35360	E2649	165	48511-39115	E3287	158, 159
48511-29575	3529	164	48511-35410	3388	165	48511-39115	●G3208	158, 159
48511-29595	3474	163	48511-35410	E3388	165	* 48511-39116	3151	158, 159
48511-29595	E3474	163	48511-35460	3388	165	* 48511-39116	E3287	158, 159
* 48511-29596	3474	121, 163, 164	48511-35460	E3388	165	* 48511-39125	3151	158, 159
* 48511-29596	E3474	121, 163, 164	48511-35480	3388	165	* 48511-39125	E3287	158, 159
48511-29605	3474	163	48511-35480	E3388	165	48511-39135	2092	164
48511-29605	E3474	163	48511-35490	3388	165	* 48511-39136	2092	152, 153, 157, 164, 171, 174
* 48511-29606	E3474	121, 163, 164	48511-35490	E3388	165	48511-39145	2157	174
* 48511-29608	E3474	121, 163, 164	* 48511-35500	E2649	165	48511-39146	2509	174
* 48511-29665	2663	160, 176	48511-35510	2649	165	* 48511-39147	E3288	159
48511-29675	3529	164	48511-35510	E2649	165	48511-39175	3253	171
48511-29676	3529	164	48511-35520	2726	165	48511-39185	3151	159
48511-29685	3529	164	48511-35520	E2726	165	48511-39185	E3287	159
48511-29686	3529	164	48511-35520	●EL2726	165	48511-39185	●G3208	159
48511-29695	3529	164	48511-35540	3388	165, 166	48511-39186	3151	159
48511-29696	3529	164	48511-35540	E3388	165, 166	48511-39186	E3287	159
48511-29735	2663	160	48511-35550	3388	165	48511-39186	●G3208	159
48511-29736	2663	160	48511-35550	E3388	165	* 48511-39187	3151	158, 159
48511-29765	3529	164	48511-35560	3388	165	* 48511-39187	E3287	158, 159
48511-29775	3529	164	48511-35560	E3388	165	48511-39206	2092	164
48511-29785	3474	164	48511-35560	●EL3531	165	48511-39216	3151	159
48511-29785	E3474	164	* 48511-35690	2726	165, 166	48511-39216	E3287	159
48511-29865	3474	164	* 48511-35690	E2726	165, 166	48511-39216	●G3208	159
48511-29865	E3474	164	48511-35720	3388	166	48511-39225	3253	160
* 48511-30110	3151	158, 159	48511-35720	E3388	166	48511-39226	3253	160
* 48511-30110	E3287	158, 159	* 48511-35721	E3388	165, 166, 171	* 48511-39227	3253	160, 161, 171
* 48511-30151	3151	158, 159	48511-35840	3388	165, 166	48511-39235	3068	146
* 48511-30151	E3287	158, 159	48511-35840	E3388	165, 166	48511-39235	E3344	146
* 48511-30185	3151	158, 159	* 48511-36010	3178	160, 162, 163, 167, 168, 176	48511-39235	●EL3344	146
* 48511-30185	E3287	158, 159	* 48511-36010	E3178	160, 162, 163, 167, 168, 176	48511-39236	3068	146
* 48511-30210	3151	158, 159	* 48511-36070	3068	160, 163, 167, 168, 174	48511-39236	E3344	146

STOCK NO.
O.E.M NO.
KIT

All items marked * are not shown on the contents of the catalogue. Written TOKICO No are just for your reference.

STOCK NO.

O.E.M. NO.

KIT

OEM NO.	TOKICO NO.	REF PAGE	OEM NO.	TOKICO NO.	REF PAGE	OEM NO.	TOKICO NO.	REF PAGE
48511-39236	●EL3344	146	48511-39685	●EL2726	165	48511-60490	E4108	169, 170
48511-39245	2092	164	48511-39687	2726	166	48511-60491	E4108	170
48511-39246	2092	164	48511-39687	E2726	166	48511-60492	E4108	170
48511-39247	2515	164	48511-39695	2726	165	48511-60500	E4108	169
48511-39247	●EL3343	164	48511-39695	E2726	165	48511-60510	E4108	169
48511-39255	2583	174	48511-39695	●EL2726	165	48511-60512	E4108	170
48511-39265	3151	159	48511-39705	3388	165, 166	48511-60520	E4120	170
48511-39265	E3287	159	48511-39705	E3388	165, 166	48511-60530	E4120	170
48511-39265	●G3208	159	48511-39715	3388	165	48511-60540	E4120	170
* 48511-39275	3151	158, 159	48511-39715	E3388	165	48511-60541	E4120	170
* 48511-39275	E3287	158, 159	48511-39715	●EL3531	165	48511-60550	E4108	169
48511-39285	3151	159	48511-39716	3388	165	* 48511-69015	3178	160, 162, 163, 167, 168, 176
48511-39285	E3287	159	48511-39716	E3388	165	* 48511-69015	E3178	160, 162, 163, 167, 168, 176
48511-39285	●G3208	159	48511-39716	●EL3531	165	48511-69035	3178	167, 168
48511-39305	3253	160	48511-39765	3388	166	48511-69035	E3178	167, 168
48511-39306	3253	160	48511-39765	E3388	166	48511-69035	●EL3178	167, 168
48511-39315	2515	165	* 48511-39766	E3388	165, 166, 171	48511-69036	3178	167, 168
48511-39315	●EL3343	165	48511-39825	3388	165	48511-69036	E3178	167, 168
48511-39345	4047	146	48511-39825	E3388	165	48511-69036	●EL3178	167, 168
48511-39346	4047	146	48511-3D101	3388	166	* 48511-69037	3178	160, 162, 163, 167, 168, 176
48511-39355	3253	160	48511-3D101	E3388	166	48511-69045	3178	167
48511-39365	3353	159	* 48511-3D140	U3752	166, 169, 170	48511-69045	E3178	167
48511-39365	●E3353	159	48511-3D161	3821	162	48511-69045	●EL3178	167
* 48511-39366	E3287	158, 159	48511-3D171	2726	165	48511-69046	3150	168
48511-39375	3353	159	48511-3D171	E2726	165	48511-69047	3150	168
48511-39375	●E3353	159	48511-3D171	●EL2726	165	* 48511-69049	3150	100, 161, 168
* 48511-39376	E3287	158, 159	48511-3D180	3388	166	48511-69055	3313	168
48511-39385	3151	159	48511-3D180	E3388	166	48511-69055	●EL3313	168
48511-39385	E3287	159	48511-50540	E4120	170	* 48511-69056	3313	168
* 48511-39386	3353	159	* 48511-55022	3710	168, 169	48511-69065	3313	168
48511-39395	3353	159	48511-59015	4008	176	48511-69065	●EL3313	168
48511-39395	●E3353	159	* 48511-59016	4008	124, 176	48511-69066	3313	168
48511-39405	3353	159	48511-59477	E4108	170	48511-69066	●EL3313	168
48511-39405	●E3353	159	48511-59545	E4108	170	48511-69067	3313	168
48511-39415	2726	165	* 48511-60010	3178	160, 162, 163, 167, 168, 176	48511-69075	3178	167
48511-39415	E2726	165	* 48511-60010	E3178	160, 162, 163, 167, 168, 176	48511-69075	E3178	167
48511-39415	●EL2726	165	* 48511-60020	3178	160, 162, 163, 167, 168, 176	48511-69075	●EL3178	167
* 48511-39416	2726	165, 166	* 48511-60020	E3178	160, 162, 163, 167, 168, 176	* 48511-69105	3393	168
* 48511-39416	E2726	165, 166	* 48511-60040	3178	160, 162, 163, 167, 168, 176	48511-69106	3393	168
48511-39455	2649	165	* 48511-60040	E3178	160, 162, 163, 167, 168, 176	* 48511-69108	3393	168
48511-39455	E2649	165	48511-60060	3313	168	* 48511-69115	3393	168
* 48511-39475	E2649	165	* 48511-60070	3313	168	* 48511-69125	3373	168
* 48511-39476	E2649	165	48511-60071	3313	168	* 48511-69125	E3373	168
48511-39495	3253	160	48511-60090	3373	168	* 48511-69135	3393	168
48511-39505	3253	160	48511-60090	E3373	168	* 48511-69145	3393	168
48511-39515	3364	160	48511-60090	●EL3373	168	* 48511-69146	3393	168
48511-39525	3253	160	48511-60100	3393	168	48511-69165	3373	168
48511-39535	3253	160	* 48511-60101	3393	168	48511-69165	E3373	168
48511-39565	3388	165	* 48511-60110	3393	168	48511-69175	3373	168
48511-39565	E3388	165	48511-60120	3373	168	48511-69175	●3694	168
* 48511-39566	3388	165, 166	48511-60120	E3373	168	* 48511-69176	3373	168
* 48511-39566	E3388	165, 166, 171	48511-60120	●EL3373	168	48511-69180	E4057	169
* 48511-39567	3388	165, 166	48511-60130	3393	168	48511-69185	E4057	169
* 48511-39577	E3388	165, 166, 171	48511-60140	3393	168	48511-69186	E4057	169
48511-39615	3388	165	48511-60170	3373	168	48511-69187	E4057	169
48511-39615	E3388	165	48511-60171	3711	169	48511-69195	E4057	169
48511-39635	3388	165	48511-60180	E4057	169	48511-69205	E4083	169
48511-39635	E3388	165	48511-60181	E4057	169	48511-69207	E4083	169
48511-39645	3388	165	48511-60190	E4057	169	48511-69225	E4057	169
48511-39645	E3388	165	48511-60200	E4083	169	48511-69245	E4057	169
48511-39646	3388	165	48511-60201	E4083	169	* 48511-69246	E4057	169
48511-39646	E3388	165	48511-60220	E3721	170	48511-69255	E4083	169
48511-39647	3388	165	48511-60230	E3721	170	* 48511-69256	E4083	169
48511-39647	E3388	165	48511-60250	E3721	169	48511-69265	3709	169
48511-39655	2857	165	* 48511-60280	3709	169	* 48511-69266	3709	169
* 48511-39655	E2649	165	48511-60300	E4057	169	48511-69285	E3721	170
* 48511-39656	2857	165, 166	48511-60320	E4057	169	48511-69295	E3721	170
* 48511-39656	E2649	165	48511-60330	E4083	169	48511-69315	E3721	169, 170
* 48511-39665	E2649	165	48511-60390	E4096	169	48511-69316	E3721	169, 170
48511-39666	2857	165, 166	48511-60391	E4096	169	48511-69325	E3721	170
* 48511-39666	E2649	165	48511-60480	E4096	169	48511-69346	E4096	169
48511-39685	2726	165	48511-60481	E4096	170	48511-69348	E4096	169
48511-39685	E2726	165	48511-60481	E4108	170	48511-69355	3711	169

OEM NO.	TOKICO NO.	REF PAGE	OEM NO.	TOKICO NO.	REF PAGE	OEM NO.	TOKICO NO.	REF PAGE
48511-69356	3711	169	48511-80065	E3388	165	48520-10012	●Z1005	51, 172
48511-69365	3711	169	48511-80065	●EL3531	165	48520-10032	S1005	51, 172
48511-69366	3711	169	48511-80071	3821	161, 162	48520-10032	●Z1005	51, 172
48511-69385	E4096	169	48511-80072	3820	162	48520-10040	S1045	173
48511-69386	E4096	169	48511-80078	3822	161	48520-10040	●Z1045	173
48511-69387	E4096	169	48511-80080	3822	161	48520-10050	S1045	173
48511-69388	E4096	169	48511-80081	3819	161	48520-10050	●Z1045	173
48511-69396	E3721	169	48511-80084	4047	146	48520-10060	S1045	173
48511-69405	E3721	169, 170	48511-80089	2726	165	48520-10060	●Z1045	173
48511-69406	E3721	170	48511-80089	E2726	165	48520-10070	S1045	173
48511-69435	E4096	169	48511-80089	●EL2726	165	48520-10070	●Z1045	173
48511-69436	E4096	170	* 48511-80092	2663	160, 176	48520-10080	S1045	173
48511-69455	E4108	169	48511-80093	4047	146	48520-10080	●Z1045	173
48511-69456	E4108	169	48511-80094	4047	146	48520-10090	S1045	173
48511-69457	E4108	169, 170	48511-80095	3769	162	48520-10090	●Z1045	173
48511-69465	E4108	169	* 48511-80101	E3803	147	48520-10100	S1088	173
48511-69466	E4108	169, 170	* 48511-80102	E3803	147	48520-10100	Z1106	173
48511-69467	E4108	169, 170	48511-80107	E3803	147	48520-10110	S1088	173
48511-69476	E4108	169	48511-80115	3769	162	48520-10110	Z1106	173
48511-69477	E4108	169	48511-80117	3821	162	48520-10111	S1088	173
48511-69485	E4120	170	48511-80118	3822	161, 162	48520-10111	Z1106	173
48511-69495	E4120	170	48511-80120	3822	161, 162	48520-10120	S1088	173
48511-69505	E4120	170	48511-80121	3822	161, 162	48520-10120	Z1106	173
48511-69515	E4108	169	* 48511-87301	●3261	51	* 48520-10121	Z1106	173, 174
48511-69525	E4108	170	* 48511-87305E	3318	52, 58	48520-10130	S1088	173
48511-69540	E4120	170	* 48511-87307A	3318	52, 58	48520-10130	Z1106	173
48511-69555	E4108	170	* 48511-87603	2254	140, 171	48520-10131	S1088	173
48511-69565	E4108	170	* 48511-87680	E20003	52	48520-10131	Z1106	173
48511-69585	E4108	170	48511-89215	3769	162	48520-10140	S1088	173, 174
* 48511-69605	E4108	169, 170	48511-89225	3821	162	48520-10140	Z1106	173, 174
* 48511-69615	E4108	169, 170	4851A-87305	3318	58	48520-10141	S1088	173, 174
48511-69625	E4108	170	48520-01030	B3089	150	48520-10141	Z1106	173, 174
* 48511-69635	E4120	170	48520-01030	Z1108	150	48520-10150	S1088	173, 174
48511-69645	E4120	170	48520-02140	B3233	150	48520-10150	Z1106	173, 174
* 48511-69655	E4120	170	48520-02150	B3233	150, 151	48520-10151	S1088	173, 174
48511-80005	3388	165, 166	48520-02321	B3302	152	48520-10151	Z1106	173, 174
48511-80005	E3388	165, 166, 171	48520-02360	B3233	151	* 48520-10190	B2187	174
* 48511-80007	2726	165, 166	* 48520-02370	B3233	150, 151, 171	* 48520-10191	B2187	174
* 48511-80007	E2726	165, 166	48520-02650	B3272	151	* 48520-10200	B2187	174
48511-80012	4047	146	48520-06320	B3213	141	* 48520-10201	B2187	174
48511-80015	3253	160, 161	48520-06451	B3252	141	* 48520-10210	B2187	174
48511-80016	3364	161	48520-06500	B3256	141	* 48520-10211	B2187	174
48511-80017	3150	161	48520-07070	B3185	143	* 48520-10220	B2187	174
48511-80018	3253	161	48520-09150	B3225	154, 156, 157	* 48520-10221	B2187	174
48511-80019	4134	161	48520-09340	A3091	150	* 48520-10240	B2187	174
48511-80027	2726	166	48520-09340	B3091	150	* 48520-10241	B2187	174
48511-80027	E2726	166	48520-09350	A3091	150	48520-10280	B2189	174
48511-80032	3253	160, 161	48520-09350	B3091	150	48520-10300	B2189	174
48511-80033	3364	161	48520-09430	B3233	150	48520-10310	B2189	174
48511-80034	3150	161	48520-09440	B3233	150, 151	48520-10330	B2189	174
48511-80035	3253	161	48520-09530	B3213	141	48520-10350	B2189	174
48511-80036	4134	161	48520-09711	B3302	152	48520-10370	B2189	174
48511-80041	4047	146	* 48520-09C60	U3774	166, 167	48520-11010	S1005	172
48511-80042	3388	166	* 48520-09C70	U3774	166, 167	48520-11010	●Z1005	172
48511-80042	E3388	166	* 48520-09C80	U3774	166, 167	48520-12010	S1065	147
48511-80044	3529	164	* 48520-09C90	U3774	166, 167	48520-12010	Z1065	147
48511-80047	3529	164	* 48520-09D20	U3774	166, 167	48520-12020	S1065	147
48511-80050	3474	164	48520-09G00	B3240	177	48520-12020	Z1065	147
48511-80052	E3388	165	48520-09G10	B3240	177	48520-12040	S3014	147
48511-80052	E3388	165	* 48520-09J70	U3774	166, 167	48520-12040	●Z3014	147
48511-80055	3529	164	* 48520-09J80	U3774	166, 167	48520-12041	S3014	147
48511-80056	3529	164	* 48520-09K60	U3774	166, 167	48520-12041	●Z3014	147
48511-80057	3529	164	48520-0D040	B3240	177	48520-12060	S3014	147
48511-80058	3529	164	48520-0D050	B3240	177	48520-12060	●Z3014	147
48511-80062	3388	165	48520-0K020	U3774	166	48520-12061	S3014	147
48511-80062	E3388	165	* 48520-0K021	U3774	166, 167	48520-12061	●Z3014	147
48511-80062	●EL3531	165	* 48520-0K050	U3774	166, 167	48520-12070	S3014	147
48511-80063	2726	166	* 48520-0K051	U3774	166, 167	48520-12070	●Z3014	147
48511-80063	E2726	166	48520-0K080	U3774	167	48520-12071	S3014	147
48511-80064	E3388	166	* 48520-0K090	U3774	166, 167	48520-12071	●Z3014	147
48511-80064	E3388	166	* 48520-0K110	U3774	166, 167	48520-12080	S1065	50, 147
48511-80064	E3388	166	* 48520-0K120	U3774	166, 167	48520-12080	Z1065	50, 147
48511-80065	3388	165	48520-10012	S1005	51, 172	48520-12100	S1065	147

All items marked * are not shown on the contents of the catalogue. Written TOKICO No are just for your reference.

STOCK NO.

O.E.M. NO.

KIT

OEM NO.	TOKICO NO.	REF PAGE	OEM NO.	TOKICO NO.	REF PAGE	OEM NO.	TOKICO NO.	REF PAGE
48520-12100	Z1065	147	* 48520-12710	B3091	149, 150	48520-19545	B2189	174
48520-12110	S3014	147	* 48520-12740	B3091	149, 150	48520-19565	B2189	174
48520-12110	●Z3014	147	48520-12750	A3091	149	48520-19595	A3091	149
48520-12120	S3014	147	* 48520-12750	B3090	149, 150	48520-19595	B3091	149
48520-12120	●Z3014	147	48520-12750	B3091	149	48520-19605	A3091	149
48520-12130	S3014	147	48520-12770	A3091	149	48520-19605	B3091	149
48520-12130	●Z3014	147	* 48520-12770	B3090	149, 150	48520-19615	A3091	149
48520-12140	S3014	147	48520-12770	B3091	149	48520-19615	B3091	149
48520-12140	●Z3014	147	48520-12860	A3091	149	48520-19625	A3091	149
48520-12150	S3014	50, 147	48520-12860	B3091	149	48520-19625	B3091	149
48520-12150	●Z3014	147	48520-12890	A3091	149	48520-19635	A3091	149
48520-12160	S3014	147	48520-12890	B3091	149	48520-19635	B3091	149
48520-12160	●Z3014	147	48520-14010	S3007	144, 153	48520-19665	B2300	151
48520-12170	S1082	147	48520-14010	●Z3007	144, 153	48520-19676	B3233	151
48520-12170	Z1082	147	48520-14020	S3007	144, 145, 146, 153	48520-19706	B3233	151
48520-12200	S1082	145, 147, 154	48520-14020	●Z3007	144, 145, 146, 153	48520-19725	B3233	151
48520-12200	Z1082	145, 147, 154	48520-14050	S3042	144, 145, 153	48520-19755	B3233	151
48520-12210	S3073	147	48520-14050	●Z3042	144, 145, 153	48520-19765	B3233	151
48520-12210	●Z3073	147	48520-14060	S3042	144, 145	48520-19815	B2300	152
* 48520-12260	Z3097	144, 145, 146, 148, 154, 155	48520-14060	●Z3042	144, 145	48520-19865	B2300	151
48520-12270	S3014	147	48520-14090	●S3063	146	48520-19875	B3233	151
48520-12270	●Z3014	147	* 48520-14090	●Z3113	158	48520-19885	B3233	151
48520-12280	S1082	148	* 48520-14091	S3007	144, 145, 146, 147, 153	48520-19895	B3233	151
48520-12280	Z1082	148	* 48520-14101	S3007	144, 145, 146, 147, 153	48520-1A070	A3091	149
48520-12290	S1082	145, 148, 154	* 48520-14102	S3007	144, 145, 146, 147, 153	48520-1A070	B3091	149
48520-12290	Z1082	145, 148, 154	48520-14110	●S3062	145	48520-1A100	A3091	149
* 48520-12310	Z3097	144, 145, 146, 148, 154, 155	48520-14110	S3113	145	48520-1A100	B3091	149
48520-12330	S3073	148	48520-14110	●Z3062	145	48520-1A250	B2300	151
48520-12330	●Z3073	148	48520-16020	Z1106	174	48520-1A270	B2300	152
48520-12340	Z3097	145, 154	* 48520-16030	Z1106	173, 174	48520-1A280	B2300	151
48520-12341	Z3097	145	48520-16040	Z1106	174	48520-20010	S3007	153
48520-12350	S3042	148	48520-16060	Z1106	174	48520-20010	●Z3007	153
48520-12350	●Z3042	148	48520-16061	Z1106	174	48520-20020	S3102	153
48520-12360	S3042	148	* 48520-16070	B2187	174	48520-20020	●Z3102	153
48520-12360	●Z3042	148	* 48520-16090	B2187	174	48520-20030	S3014	153
48520-12370	S3042	148	* 48520-16140	B2187	174	48520-20030	●Z3014	153
48520-12370	●Z3042	148	48520-16152	B2187	174	* 48520-20040	S3102	153
* 48520-12390	B3088	148, 149, 150	48520-16281	B2189	174	48520-20050	●S3044	153
48520-12390	B3089	148, 149, 150	* 48520-18010	B2187	174	48520-20051	●S3044	153
48520-12390	Z1108	148, 149, 150	48520-19075	B2189	175	48520-20052	●S3044	153
* 48520-12400	B3088	148, 149, 150	48520-19076	B2189	175	48520-20060	●S3044	153
48520-12400	B3089	148	48520-19085	B2189	175	48520-20061	●S3044	153
48520-12400	Z1108	148	* 48520-19086	B2189	172, 174, 175	48520-20062	●S3044	153
* 48520-12401	B3088	148, 149, 150	48520-19095	B2189	175	48520-20070	S3014	153
* 48520-12401	B3089	148, 149, 150	* 48520-19096	B2189	172, 174, 175	48520-20070	●Z3014	153
48520-12420	B3089	148	48520-19115	B2189	175	* 48520-20092	S3102	153
48520-12420	Z3101	148	48520-19116	B2189	175	48520-20110	S3014	153
48520-12430	B3089	148, 149, 150	48520-19145	A3091	149	48520-20110	●Z3014	153
48520-12430	Z3101	148, 149, 150	48520-19145	B3091	149	48520-20120	S3081	153
* 48520-12440	Z3097	144, 145, 146, 148, 154, 155	48520-19155	A3091	150	48520-20121	S3081	153
48520-12460	B3089	149, 150	48520-19155	B3091	150	48520-20130	S3081	153
48520-12460	Z3101	149, 150	48520-19165	A3091	150	48520-20131	S3081	153, 154
48520-12470	S3120	148	48520-19165	B3091	150	48520-20140	S3042	144, 145, 153
48520-12470	●Z3120	148	48520-19205	B2189	175	48520-20140	●Z3042	144, 145, 153
48520-12520	S3120	148	48520-19206	B2189	175	48520-20150	S3007	144, 145, 146, 153
48520-12521	S3120	148	48520-19215	B2189	175	48520-20150	●Z3007	144, 145, 146, 153
48520-12530	S3120	148	* 48520-19235	B2189	172, 174, 175	48520-20160	S3073	154
48520-12531	S3120	148	48520-19265	B2189	174	48520-20160	●Z3073	154
48520-12580	S3120	148	48520-19285	A3091	150	48520-20161	S3073	154
* 48520-12600	S3014	50, 146, 147, 153	48520-19285	B3091	150	48520-20161	●Z3073	154
* 48520-12610	B3091	149, 150	48520-19325	B2189	174	* 48520-20161	Z3097	144, 145, 146, 148, 154, 155
48520-12630	A3091	149	* 48520-19346	B2187	174	48520-20162	S3073	145, 147
* 48520-12630	B3090	149, 150	* 48520-19356	B2189	172, 174, 175	48520-20162	●Z3073	145, 147
48520-12630	B3091	149	* 48520-19366	B2187	174	48520-20200	S3014	153
* 48520-12640	B3091	149, 150	* 48520-19376	B2187	174	48520-20200	●Z3014	153
48520-12650	A3091	149, 150	48520-19395	A3091	149	48520-20210	S3073	154
* 48520-12650	B3090	149, 150	48520-19395	B3091	149	48520-20210	●Z3073	154
48520-12650	B3091	149, 150	48520-19425	A3091	149	48520-20220	●Z1097	145
48520-12660	A3091	149, 150	48520-19425	B3091	149	* 48520-20230	S3073	144, 145, 147, 148, 154
* 48520-12660	B3090	149, 150	* 48520-19475	B2189	172, 174, 175	* 48520-20230	Z3097	144, 145, 146, 148, 154, 155
48520-12660	B3091	149, 150	48520-19485	B2189	175	48520-20250	Z3097	144, 146, 155
* 48520-12661	S3014	50, 146, 147, 153	* 48520-19515	B2189	172, 174, 175	48520-20251	S3073	144
* 48520-12700	B3091	149, 150	* 48520-19525	B2189	172, 174, 175	48520-20251	Z3097	146

OEM NO.	TOKICO NO.	REF PAGE	OEM NO.	TOKICO NO.	REF PAGE	OEM NO.	TOKICO NO.	REF PAGE
48520-20252	S3073	144	48520-22200	●S3062	158	* 48520-29335	B2199	154, 155, 156, 157
48520-20252	Z3097	146, 155	48520-22200	S3113	158	48520-29345	B3225	156, 157
* 48520-20260	Z3097	144, 145, 146, 148, 154, 155	48520-22200	●Z3062	158	48520-29346	B3225	155, 156, 157
48520-20262	Z3101	154	* 48520-22200	●Z3113	158	48520-29355	B3227	155, 156
48520-20271	S3073	144	48520-22210	●S3062	158	48520-29356	B3227	155, 156
48520-20272	S3073	144	48520-22210	●Z3062	158	48520-29365	B3227	156
48520-20272	Z3097	146	48520-22220	●S3062	158	48520-29366	B3227	156
48520-20280	Z3097	154	48520-22220	●Z3062	158	* 48520-29375	B2199	154, 155, 156, 157
* 48520-20290	Z3097	144, 145, 146, 148, 154, 155	48520-22240	●S3062	158	48520-29385	B3225	155, 156, 157
48520-20300	●Z3121	144, 153, 154	48520-22240	●Z3062	158	48520-29415	B3225	155
48520-20310	●Z3121	144, 153, 154	48520-22300	●S3062	158	48520-29415	B3227	155, 156
48520-20320	●Z3121	144, 153, 154	48520-22300	●Z3062	158	48520-29475	B3227	156
* 48520-20330	Z1082	145, 147, 148, 154	48520-22310	●S3062	158	48520-29485	B3227	155, 156
48520-20340	Z3097	146, 154, 155	48520-22310	●Z3062	158	48520-29495	B3225	156
48520-20341	Z3097	146	48520-22320	S3113	158	48520-29495	Z3146	156
48520-20342	Z3097	146	48520-22321	S3113	158	48520-29595	B3233	171
48520-20350	●Z1097	145	48520-22340	S3113	158	48520-29715	B3227	156
48520-20370	Z3097	154	48520-22480	S3113	158	* 48520-2B010	B2199	154, 155, 156, 157
48520-20382	Z3097	146	* 48520-22480	●Z3113	158	48520-2B011	B2199	155
48520-20390	S3081	154	* 48520-22481	S3113	145, 158, 159	* 48520-2B012	B2199	154, 155, 156, 157
48520-20451	Z3097	154	* 48520-22482	S3113	145, 158, 159	* 48520-2B030	B3227	155, 156
48520-20471	Z3097	154	48520-22490	S3113	158	* 48520-2B031	B3227	155, 156
48520-20610	Z3097	154	* 48520-22490	●Z3113	158	* 48520-2B033	B3227	155, 156
* 48520-20670	B2199	154, 155, 156, 157	48520-22500	S3113	158, 159	48520-2B100	B2199	155
48520-20710	Z3146	145, 155	* 48520-22500	●Z3113	158	* 48520-2B101	B2199	154, 155, 156, 157
48520-20760	B3225	154, 156, 157	48520-22501	S3113	158	48520-2B110	B3225	155
48520-20760	Z3146	145, 154, 155, 156	48520-22510	S3113	158	48520-2B111	B3225	155
48520-20770	B2199	154, 156, 157	48520-22520	S3113	158	48520-2B120	B3227	156
* 48520-20771	B2199	154, 155, 156, 157	* 48520-22520	●Z3113	158	48520-2B190	B3225	155, 156, 157
* 48520-20780	B3225	154, 155, 156, 157	* 48520-22521	S3113	145, 158, 159	48520-2B210	B3227	155
* 48520-20790	B2199	154, 155, 156, 157	48520-22570	S3113	158	48520-2B320	B3233	171
* 48520-20800	B2199	154, 155, 156, 157	* 48520-22610	S3113	145, 158, 159	48520-32010	S3072	140
* 48520-20801	B2199	154, 155, 156, 157	48520-22620	S3113	158	48520-32010	●Z3072	140
* 48520-20831	B2199	154, 155, 156, 157	48520-22620	●Z3113	158	* 48520-32020	S3072	140
48520-20840	B3225	154, 156, 157	* 48520-22621	S3113	145, 158, 159	48520-32030	S3072	140
* 48520-20850	B3227	155, 156	48520-24010	●S3062	145	48520-32030	●Z3072	140
48520-20851	B3227	155	48520-24010	S3113	145	48520-32050	S3072	140
* 48520-20860	B2199	154, 155, 156, 157	48520-24010	●Z3062	145	48520-32050	●Z3072	140
48520-20861	B2199	155	* 48520-24010	●Z3113	158	48520-32060	S3072	140
* 48520-20862	B2199	154, 155, 156, 157	48520-24020	●S3062	145	48520-32060	●Z3072	140
48520-20880	B3225	154, 156, 157	48520-24020	S3113	145	48520-32070	S3072	140
48520-20881	B3225	154, 156, 157	48520-24020	●Z3062	145	48520-32070	●Z3072	140
48520-20890	B3225	154, 156, 157	* 48520-24020	●Z3113	158	48520-32080	Z3117	140
48520-20A30	B3292	171	* 48520-24040	S3063	146, 157, 158	48520-32081	Z3117	140
48520-20A40	B3292	171	* 48520-24040	S3113	145, 158, 159	* 48520-32082	Z3117	140
48520-20A50	B3292	171	* 48520-24050	S3063	146, 157, 158	48520-32090	Z3117	140
* 48520-21030	B2199	154, 155, 156, 157	* 48520-24050	S3113	145, 158, 159	48520-32091	Z3117	140
48520-21041	B3225	155	* 48520-29135	B2199	154, 155, 156, 157	* 48520-32110	Z3117	140
48520-21050	B3227	155	48520-29166	B3227	155	48520-32120	Z3117	140
48520-21051	B3227	155	* 48520-29175	B2199	154, 155, 156, 157	48520-32121	Z3117	140
* 48520-21070	B2199	154, 155, 156, 157	* 48520-29185	B3225	154, 155, 156, 157	48520-32131	Z3117	140
48520-21080	B3227	156	* 48520-29186	B3225	154, 155, 156, 157	* 48520-32140	Z3117	140
48520-21090	B3227	155, 156	48520-29188	B3225	157	48520-32170	Z3153	140
48520-21100	B3225	156	* 48520-29195	B3227	155, 156	48520-32190	Z3117	140
48520-21100	Z3146	156	* 48520-29196	B3227	155, 156	48520-32200	Z3117	140
48520-22010	S3031	157	48520-29205	B2199	155	48520-33250	B3185	142, 143
* 48520-22020	S3031	157	* 48520-29206	B2199	154, 155, 156, 157	48520-33280	B3185	142, 143
* 48520-22040	S3031	157	48520-29215	B3225	155, 156, 157	48520-33370	B3185	142, 143
48520-22050	S3031	157	48520-29216	B3225	155, 156, 157	48520-39035	Z3153	141
* 48520-22090	●S3063	146, 157, 158	48520-29225	B3227	156	48520-39045	Z3153	141
* 48520-22090	S3113	145, 158, 159	48520-29255	B2199	155	48520-39055	Z3153	141
48520-22100	●S3063	157	* 48520-29256	B2199	154, 155, 156, 157	48520-39075	Z3153	141
* 48520-22100	●Z3113	158	48520-29265	B2199	155	48520-39085	Z3153	141
48520-22110	S3064	157	* 48520-29266	B2199	154, 155, 156, 157	48520-39095	Z3153	141
48520-22110	●Z3064	157	* 48520-29275	B3225	154, 155, 156, 157	48520-39166	B3185	142, 143
48520-22150	S3064	157	48520-29285	B3225	157	48520-39255	B3185	142, 143
48520-22150	●Z3064	157	48520-29285	Z3146	157	48520-39365	B3185	142, 143
48520-22170	●S3063	157	48520-29286	B3225	157	48520-39375	B3185	142, 143
* 48520-22170	●Z3113	158	48520-29286	Z3146	157	48520-39405	B3185	141, 142, 143
48520-22180	●S3063	157, 158	48520-29287	B3225	157	48520-42060	B3286	172
* 48520-22180	●Z3113	158	48520-29287	Z3146	157	48520-42061	B3286	172
48520-22190	●S3063	157	* 48520-29295	B2199	154, 155, 156, 157	48520-42070	B3286	172
* 48520-22190	●Z3113	158	* 48520-29305	B2199	154, 155, 156, 157	* 48520-42080	B3286	172, 173

All items marked * are not shown on the contents of the catalogue. Written TOKICO No are just for your reference.

STOCK NO.

O.E.M. NO.

KIT

OEM NO.	TOKICO NO.	REF PAGE	OEM NO.	TOKICO NO.	REF PAGE	OEM NO.	TOKICO NO.	REF PAGE
* 48520-42081	B3286	172, 173	48520-80033	B3227	155	48530-02141	U3812	152
48520-42090	B3286	173	48520-80039	B3227	155	48530-02170	U2980	150
48520-42091	B3286	173	48520-80071	B3246	173	48530-02171	U2980	150
48520-42100	B3286	173	48520-80072	B3246	173	* 48530-02180	U2980	150, 151, 152
48520-42110	B3286	172	48520-80074	B3246	173	48530-02190	U2980	150
48520-42160	B3246	173	48520-80130	B3246	173	48530-02191	U2980	150
48520-42170	B3246	173	48520-80138	B3292	171	48530-02200	U2980	150
48520-42180	B3246	173	48520-80139	B3292	171	48530-02201	U2980	150
48520-42190	B3246	173	48520-80145	B3292	171	48530-02221	U3828	152
48520-42200	B3246	173	48520-87101	A1071	50	48530-02241	U3828	152
48520-42300	B3246	173	48520-87101	●B1071	50	48530-02251	U3828	152
48520-46010	B2189	172	48520-87102	A1071	50	48530-02271	U3812	152
48520-46011	B2189	172	48520-87102	●B1071	50	48530-02341	U3835	152
48520-48080	B3260	162	48520-87103	A1071	50	* 48530-02390	U2980	150, 151, 152
48520-48090	B3260	162	48520-87103	●B1071	50	* 48530-02480	U2980	150, 151, 152
48520-48100	B3260	162	48520-87104	A1071	50	48530-02660	U3805	151
48520-48110	B3260	162	48520-87104	●B1071	50	* 48530-05010	B3145	154, 156, 157
48520-48120	B3260	162	48520-87105	A1071	50	48530-05030	B3161	157
48520-48130	B3260	162	48520-87105	●B1071	50	48530-06081	B3181	141, 142, 143
48520-48140	B3260	162	48520-87106	A1071	50	48530-06091	B3181	141, 142, 143
48520-48150	B3260	162	48520-87106	●B1071	50	48530-06170	B3181	141, 142, 143
48520-48160	B3260	162	48520-87107	A1071	50	48530-06250	B3214	141
48520-48180	B3260	162	48520-87107	●B1071	50	48530-06361	B3253	141
48520-49015	Z3155	172	48520-87108	A1071	50	48530-06390	B3257	141
48520-49016	B3284	172	48520-87108	●B1071	50	48530-07080	B3181	141, 142, 143
48520-49025	Z3155	172	48520-87109	A1071	50	48530-09070	B3181	141, 142, 143
48520-49026	B3284	172	48520-87109	●B1071	50	48530-09130	B3161	157
48520-49027	B3284	172	48520-87110	A1071	50	48530-09250	B2150	150
48520-49065	B3284	172	48520-87110	●B1071	50	48530-09310	B2150	150
48520-49066	B3284	172	48520-87111	A1071	50	48530-09320	B2150	150
48520-49095	B2189	172	48520-87111	●B1071	50	48530-09410	U2980	150
48520-49096	B2189	172	48520-87112	A1071	50	* 48530-09420	U2980	150, 151, 152
48520-49245	A3091	150	48520-87112	●B1071	50	48530-09430	U2980	150
48520-49245	B3091	150	48520-87113	A1071	50	48530-09440	U2980	150
48520-49255	A3091	150	48520-87113	●B1071	50	48530-09520	B3214	141
48520-49255	B3091	150	48520-87114	A1071	50	48530-09600	E2949	176
48520-49256	A3091	150	48520-87114	●B1071	50	48530-09610	E2949	176, 177
48520-49256	B3091	150	48520-87115	A1071	50	48530-09630	U3812	152
48520-49305	B3286	172	48520-87115	●B1071	50	48530-09780	U2980	150
48520-49315	B3286	172	48520-87534	●S1112	53	* 48530-09910	U3828	152
* 48520-49325	B3286	172, 173	48520-87537	S1111	53	48530-09D30	U3812	152
48520-49475	B3286	173	48520-87715	A1053	50	48530-09D40	U3812	152
48520-49485	B3286	173	48520-87715	●B1053	50	48530-09L10	E2981	177
48520-49525	B3286	172	48520-87716	A1053	50	48530-0D070	E2949	176, 177
48520-49545	B3260	162, 164	48520-87716	●B1053	50	48530-0D100	E2949	176, 177
48520-49555	B3260	162	48520-87717	A1053	50	48530-0D100B	E2949	176, 177
48520-49565	B3260	162, 164	48520-87717	●B1053	50	48530-0D120	E2949	176, 177
48520-49595	B3286	172	* 48520-87718	A1059	50	48530-0D160	E2949	176, 177
48520-49605	B3286	172	48520-87719	A1059	50	48530-0D160A	E2949	176, 177
48520-49615	B3286	173	48520-87719	●B1059	50	48530-0D170	E2949	176, 177
48520-49695	B3286	172	48520-87721	A1071	50	48530-0D170A	E2949	176, 177
48520-49725	B3260	162	48520-87721	●B1071	50	48530-0D220	E2981	177
48520-49735	B3260	162	48520-87722	A1059	50	48530-10010	U1172	173
48520-49745	B3260	162	48520-87722	●B1059	50	* 48530-10020	U1172	173
48520-49765	B3286	172	48520-87723	A1059	50	* 48530-10020	U1193	174
* 48520-49775	B3286	172, 173	48520-87723	●B1059	50	48530-10030	U1172	173
48520-49785	B3286	173	48520-87724	A1059	50	48530-10050	U1172	173
48520-49875	B3260	162	48520-87724	●B1059	50	48530-10051	U1193	174
48520-49895	B3260	162	48520-87725	A1059	50	48530-10070	U2940	174
48520-52270	B3294	167	48520-87725	●B1059	50	48530-10080	U2940	174
48520-52290	B3282	167	48520-87726	A1059	50	48530-10090	U2940	174
48520-59425	B3294	167	48520-87726	●B1059	50	48530-10110	U2940	174
48520-59435	B3282	167	* 48520-87728	A1059	50	* 48530-10111	U2940	172, 174
* 48520-59435	B3294	167	48520-87729	A1059	50	* 48530-10120	U2940	172, 174
48520-69015	B2295	171	48520-87729	●B1059	50	* 48530-10121	U2940	172, 174
48520-80001	B3233	151	48520-A9010	B3185	142, 143	* 48530-10170	U2940	172, 174
48520-80002	B3233	151	48520-A9020	B3185	142, 143	* 48530-10180	U2940	172, 174
48520-80015	B3260	162	48520-A9180	B3302	152	* 48530-10210	U2940	172, 174
48520-80020	B3260	162	48520-AA010	B3185	142, 143	* 48530-10211	U2940	172, 174
48520-80021	B3290	152	48520-AA020	B3185	142, 143	* 48530-10220	U2940	172, 174
48520-80023	B2300	152	48520-AB031	B3302	152	* 48530-10250	U2940	172, 174
48520-80026	B3288	152	* 48530-02130	B2150	149, 150	* 48530-10260	U2940	172, 174
48520-80032	B3225	155	48530-02140	U3812	152	* 48530-10270	U2940	172, 174

OEM NO.	TOKICO NO.	REF PAGE	OEM NO.	TOKICO NO.	REF PAGE	OEM NO.	TOKICO NO.	REF PAGE
48530-10290	U2940	174	48530-12820	B2150	149	48530-19775	U2940	174
48530-10300	U2940	174	48530-12830	B2150	149	48530-19785	U2940	174
48530-10310	U2940	174	48530-12840	B2150	149	48530-19795	U2940	174
48530-10330	U2940	174	48530-12850	B2150	149	* 48530-19805	2497	145, 146, 153, 154, 157, 158
48530-10340	U2940	174	* 48530-12860	B1079	149	* 48530-19805	E2325	145, 146, 153, 154, 157, 158
* 48530-10350	U2940	172, 174	* 48530-12A40	U2980	150, 151, 152	* 48530-19845	B1079	149
* 48530-10360	U2940	172, 174	48530-12A50	U2980	152	48530-19875	U2940	174
48530-10370	U2940	174	48530-12A60	U2980	152	* 48530-1A010	B2150	149, 150
48530-10380	U2940	174	48530-12A81	U3812	152	* 48530-1A030	B1079	149
48530-10390	U2940	174	* 48530-12B10	U2980	150, 151, 152	48530-1A040	A1079	149
48530-10400	U2940	174	* 48530-12B20	U2980	150, 151, 152	48530-1A040	B1079	149
48530-1140	6016	59	* 48530-12B50	U2980	150, 151, 152	* 48530-1A080	B1079	149
* 48530-1140A	6016	58, 59	* 48530-12D80	U3812	152	48530-1A100	B2267	173
48530-1190	6016	58	48530-13050	B2150	149, 150	48530-1A160	B2267	150
* 48530-1190A	6016	58, 59	* 48530-13060	U2980	150, 151, 152	48530-1A170	B2267	150, 173
48530-12020	B1033	147, 148	* 48530-13090	U2980	150, 151, 152	* 48530-1A180	B2150	149, 150
48530-12040	B1033	147, 148	* 48530-1320	6016	58, 59	48530-1A200	B2150	149, 150
48530-12080	●B1037	148	48530-16010	B1031	174	48530-1A220	B2267	150, 173
* 48530-12120	●B1037	148	48530-16011	B1031	174	* 48530-1A230	B2150	149, 150
48530-12140	●B1037	148	48530-16030	B1031	174	48530-1A240	B2150	150
48530-12160	B1064	148, 150	48530-16031	B1031	174	48530-1A310	B2150	149, 150
48530-12180	A2124	148	48530-16042	B1031	174	48530-1A321	B2150	149, 150
48530-12180	B2124	148	48530-16051	B1031	174	48530-1A330	B2150	149, 150
* 48530-12200	B2124	148	48530-16080	U2834	174	* 48530-1A390	U2980	150, 151, 152
* 48530-12201	B2124	148	48530-16081	U2834	174	* 48530-1A400	U2980	150, 151, 152
48530-12220	A2124	148	* 48530-16090	U2834	174	* 48530-1A410	U2980	150, 151, 152
48530-12220	B2124	148	* 48530-16100	U2834	174	* 48530-1A420	U2980	150, 151, 152
* 48530-12221	B2124	148	48530-16130	U2834	174	* 48530-1A430	U2980	150, 151, 152
* 48530-12240	B2124	148	* 48530-16140	U2834	174	* 48530-1A440	U2980	150, 151, 152
* 48530-12241	B2124	148	* 48530-16150	U2834	174	* 48530-1A450	U2980	150, 151, 152
* 48530-12260	B2124	148	48530-16220	U2926	174	* 48530-1A480	U2980	150, 151, 152
* 48530-12261	B2124	148	48530-16380	U2940	174	48530-1A520	U3812	152
48530-12280	A2124	148	48530-16390	U2940	174	48530-1A530	U3812	152
48530-12280	B2124	148	48530-16400	U2940	174	* 48530-1A610	U2980	150, 151, 152
48530-12300	A2124	148	48530-16410	U2940	174	* 48530-1A620	U2980	150, 151, 152
48530-12300	B2124	148	48530-16431	U2940	174	* 48530-1A630	U2980	150, 151, 152
* 48530-12301	B2124	148	48530-16450	U2940	174	* 48530-1A640	U2980	150, 151, 152
* 48530-12320	B2124	148	48530-16460	U2940	174	* 48530-1A650	U2980	150, 151, 152
* 48530-12321	B2124	148	48530-16490	U2940	174	* 48530-1A660	U2980	150, 151, 152
48530-12390	A2124	148	48530-16530	U2927	175	48530-1A700	U3812	152
48530-12390	B2124	148	48530-16H00	B1031	174	48530-20010	B2050	145, 154
* 48530-12410	B2124	148	* 48530-16H01	B1031	174	48530-20030	B2050	145, 154
* 48530-12430	B2124	148	* 48530-19085	1074	172	48530-20050	B2050	145, 154
* 48530-12450	B2124	148	* 48530-19265	U2926	174	48530-20070	B2050	145, 154
48530-12460	A2124	148	* 48530-19266	U2926	174	* 48530-20090	B2050	145, 154
48530-12460	B2124	148	* 48530-19275	U2926	174	48530-20130	●B3015	144, 146, 155
* 48530-12500	B2124	148	* 48530-19276	U2926	174	48530-20131	B3043	144, 145, 146, 154, 155
* 48530-1250A	5032	58, 59, 60	* 48530-19425	U2926	174	48530-20140	●B3015	155
48530-12520	A2124	148	* 48530-19426	U2926	174	48530-20150	●B3015	145, 154, 155
48530-12520	B2124	148	* 48530-19445	U2926	174	* 48530-20151	B3043	144, 145, 146, 154, 155
48530-12550	A1079	149	* 48530-19446	U2926	174	48530-20160	●B3015	146, 155
48530-12550	B1079	149	48530-19565	U2940	174	48530-20161	B3043	145, 146, 154, 155
48530-12560	A1079	149	48530-19566	U2940	174	48530-20171	B3043	146
48530-12560	B1079	149	48530-19575	U2940	174	48530-20180	B3043	146
* 48530-12570	B2150	149, 150	48530-19576	U2940	174	* 48530-20210	B2126	154
48530-12580	B2150	149	* 48530-19585	U2940	172, 174	* 48530-20230	B2126	154
48530-12590	B2150	149	48530-19586	U2940	174	48530-20240	B2126	154
* 48530-12610	B2150	149, 150	48530-19595	U2940	174	* 48530-20250	B2126	154
48530-12640	A1079	149	48530-19596	U2940	174	48530-20260	B2126	154
48530-12640	B1079	149	* 48530-19635	U2980	150, 151, 152	* 48530-20270	B3049	145, 154
48530-12650	A1079	149	48530-19645	A1079	149	* 48530-20290	B3049	145, 154
48530-12650	B1079	149	48530-19645	B1079	149	48530-20300	B3049	154
48530-12670	B2150	149	* 48530-19665	B1079	149	* 48530-20310	B3049	145, 154
48530-12680	B2150	149	48530-19695	B2267	150	* 48530-20310	B3050	145, 154
48530-12710	B2150	149	48530-19705	B2267	150, 173	48530-20320	B3049	154
* 48530-12720	B2150	149, 150	* 48530-19715	B2150	149, 150	* 48530-20330	B3049	145, 154
48530-12730	B2150	149	48530-19725	U2940	174	48530-20340	B3049	154
48530-12760	B2267	150, 173	48530-19726	U2940	174	* 48530-20360	B2126	154
* 48530-12770	B2150	149, 150	48530-19735	B2267	150, 173	* 48530-20370	B3049	145, 154
* 48530-12770C	B1079	149	48530-19745	U2940	174	* 48530-20400	B3049	145, 154
48530-12780	B2150	149	48530-19746	U2940	174	48530-20410	B2126	154
* 48530-12790	B2150	149, 150	48530-19755	U2940	174	* 48530-20430	B2126	154
48530-12810	B2150	149	48530-19765	U2940	174	* 48530-20460	B2126	154

All items marked * are not shown on the contents of the catalogue. Written TOKICO No are just for your reference.

STOCK NO.

O.E.M NO.

KIT

STOCK NO.

O.E.M. NO.

KIT

OEM NO.	TOKICO NO.	REF PAGE	OEM NO.	TOKICO NO.	REF PAGE	OEM NO.	TOKICO NO.	REF PAGE
* 48530-20470	B2126	154	48530-29745	B3145	156, 157	48530-52071	E2949	178
* 48530-20480	B3049	145, 154	* 48530-29765	B3145	154, 156, 157	48530-52100	E2949	177
48530-20490	B3049	145	48530-29795	B3145	156, 157	48530-52102	E2949	177
48530-20510	B3147	146	* 48530-2B010	B3145	154, 156, 157	48530-52120	E2949	177
* 48530-20520	B3147	146, 154	48530-2B030	B3145	154, 157	48530-52140	E2949	177
48530-20530	B3147	146	* 48530-2B040	B3145	154, 156, 157	48530-52230	E2949	178
48530-20550	B3147	146, 154	* 48530-2B070	B3145	154, 156, 157	* 48530-52231	E2949	176, 177, 178
48530-20570	B3147	146	* 48530-2B080	B3145	154, 156, 157	48530-52240	E2949	178
48530-20640	B3147	146	* 48530-2B150	B3145	154, 156, 157	* 48530-52350	E2949	176, 177, 178
* 48530-20670	B3147	146, 154	* 48530-2B170	B2200	145, 154, 156	* 48530-52700	E2949	176, 177, 178
* 48530-20700	B2200	145, 154, 156	* 48530-2B190	B2200	145, 154, 156	* 48530-52710	E2949	176, 177, 178
* 48530-20730	B2200	145, 154, 156	* 48530-2B200	B3145	154, 156, 157	* 48530-52750	E2949	176, 177, 178
48530-20760	B2200	145, 154, 156	* 48530-2B230	B2200	145, 154, 156	* 48530-52790	E2949	176, 177, 178
* 48530-20770	B2200	145, 154, 156	48530-2B260	B3161	154, 156, 157	* 48530-557N	U2980	150, 151, 152
* 48530-20780	B3145	154, 156, 157	* 48530-2B310	B2200	145, 154, 156	48530-59155	E2949	178
48530-20820	B3161	157	* 48530-2B340	B3145	154, 156, 157	48530-59156	E2949	178
48530-20850	B3161	157	* 48530-2B470	B2200	145, 154, 156	48530-59157	E2949	178
48530-21040	B3145	156, 157	48530-2B550	B3145	156, 157	48530-59165	E2949	178
48530-21070	B3145	156, 157	48530-2B740	B3145	156, 157	48530-59166	E2949	178
* 48530-22011	U3423	158	48530-30190	U3757	159	* 48530-59167	E2949	176, 177, 178
48530-22043	U3826	158	48530-30200	U3757	159	* 48530-59175	E2949	176, 177, 178
48530-22051	U3826	158	48530-30490	3419	159	* 48530-59176	E2949	176, 177, 178
* 48530-22061	U3423	158	48530-30490	E3419	159	* 48530-59177	E2949	176, 177, 178
* 48530-22071	U3423	158	48530-32010	●B2042	140	48530-59195	E2949	178
48530-22091	U3826	158	* 48530-32040	●B2042	140	* 48530-59196	E2949	176, 177, 178
48530-22131	U3826	158	48530-32041	●B2042	140	48530-59205	E2949	178
48530-22160	U3757	158	48530-32060	Z3118	140	48530-59206	E2949	178
48530-22170	U3826	158	48530-32070	Z3118	140	48530-59225	E2949	177
48530-22181	U3826	158	48530-32080	●Z3119	140	48530-59245	E2949	177
* 48530-22250	U3757	158, 159	* 48530-32120	Z3118	140	48530-59247	E2949	177
* 48530-22270	U3423	158	48530-32140	Z3118	140	48530-59255	E2949	177
* 48530-22271	U3423	158	48530-32180	●Z3119	140	48530-59325	E2949	178
48530-22410	U3757	158	* 48530-32190	Z3118	140	* 48530-59326	E2949	176, 177, 178
48530-22420	U3757	158	* 48530-32190	●Z3119	140	* 48530-59327	E2949	176, 177, 178
48530-22460	U3757	158	48530-32220	Z3154	140	48530-59335	E2949	178
48530-29066	U3826	158	48530-32230	Z3154	140	* 48530-59385	E2949	176, 177, 178
48530-29076	U3826	158	48530-32H00	●B2042	140	* 48530-59386	E2949	176, 177, 178
48530-29077	U3826	158	48530-33090	B3181	141, 142, 143	* 48530-59735	E2949	176, 177, 178
48530-29087	U3826	158	48530-33160	B3181	141, 142, 143	* 48530-59745	E2949	176, 177, 178
48530-29088	U3826	158	48530-33190	B3181	141, 142, 143	* 48530-59785	E2949	176, 177, 178
48530-29106	Q3423	158	48530-35070	E3810	166, 170	* 48530-59835	E2949	176, 177, 178
48530-29106	U3423	158	48530-35080	E3810	166, 170	48530-60060	E3810	166, 170
48530-29107	Q3423	158	48530-38205	B3181	141, 142, 143	48530-60080	E3811	170
48530-29107	U3423	158	48530-39165	Z3154	141, 142	48530-60090	E3810	166, 170
48530-29116	Q3423	158	48530-39175	Z3154	141, 142	48530-60110	E4133	170
48530-29116	U3423	158	48530-39195	Z3154	141, 142	48530-69165	E3810	166, 170
* 48530-29117	U3423	158	48530-39205	B3181	141, 142, 143	48530-69175	E3811	170
* 48530-29118	U3423	158	48530-39245	B3181	141, 142, 143	48530-69195	E3810	166, 170
* 48530-29126	U3423	158	48530-39275	B3181	141, 142, 143	48530-69435	E4133	170
* 48530-29127	U3423	158	48530-39285	U3757	159	* 48530-7707	6016	58, 59
* 48530-29128	U3423	158	48530-39295	U3757	159	* 48530-80003	B2150	149, 150
48530-29137	U3826	158	* 48530-39296	U3757	158, 159	48530-80004	B2150	149, 150
48530-29165	U3826	158	48530-39356	B3181	141, 142, 143	48530-80006	B2267	150
48530-29166	U3826	158	48530-39366	B3181	141, 142, 143	48530-80008	B2267	150, 173
48530-29195	U3826	158	48530-39435	B3181	141, 142, 143	48530-80011	B2150	150
48530-29196	U3826	158	48530-39575	B3181	141, 142, 143	48530-80016	B2150	149, 150
48530-29225	U3826	158	48530-39675	B3181	141, 142, 143	* 48530-80019	B2150	149, 150
48530-29226	U3826	158	48530-46010	U2940	172	48530-80021	B2150	149, 150
48530-29245	U3757	158	48530-46030	E2949	176, 177	48530-80023	B2150	149, 150
48530-29246	U3757	158	48530-46040	E2949	176, 177	48530-80024	B2150	149, 150
* 48530-29255	U3757	158, 159	48530-49085	U2940	172	* 48530-80028	U2980	150, 151, 152
48530-29256	U3757	158	48530-49355	E2949	176, 177	* 48530-80029	U2980	150, 151, 152
* 48530-29415	B3145	154, 156, 157	48530-49365	E2949	176, 177	* 48530-80030	U2980	150, 151, 152
* 48530-29455	B3145	154, 156, 157	48530-52020	E2949	178	* 48530-80031	U2980	150, 151, 152
* 48530-29485	U3423	158	48530-52021	E2949	178	* 48530-80032	U2980	150, 151, 152
* 48530-29486	U3423	158	48530-52022	E2949	178	* 48530-80033	U2980	150, 151, 152
48530-29515	B3145	156, 157	48530-52040	E2949	178	* 48530-80034	U2980	150, 151, 152
48530-29625	U3757	158	48530-52041	E2949	178	* 48530-80046	U2980	150, 151, 152
48530-29635	U3757	158	* 48530-52042	E2949	176, 177, 178	* 48530-80047	U2980	150, 151, 152
48530-29645	U3757	158	48530-52050	E2949	178	48530-80048	U2980	150, 151
48530-29675	U3757	158	* 48530-52051	E2949	176, 177, 178	48530-80049	U2980	150, 151
48530-29685	U3757	158	48530-52060	E2949	178	* 48530-80050	U2980	150, 151, 152
48530-29705	B3145	156, 157	48530-52070	E2949	178	48530-80051	U2980	150, 151

OEM NO.	TOKICO NO.	REF PAGE	OEM NO.	TOKICO NO.	REF PAGE	OEM NO.	TOKICO NO.	REF PAGE
* 48530-80052	U2980	150, 151, 152	48530-87502	1123	53	* 48531-0B020	20002	167
48530-80061	U3812	152	48530-87503	2507	53	* 48531-0B030	20002	167
48530-80062	U3812	152	48530-87504	1123	53	* 48531-0B030A	20002	167
48530-80087	E3810	166, 170	48530-87505	1123	53	* 48531-0B040	20002	167
48530-80088	E3810	166, 170	48530-87506	1199	53	* 48531-0B040C	20002	167
* 48530-80091	U2980	150, 151, 152	* 48530-87506	2507	53	* 48531-0B040D	20002	167
* 48530-80092	U2980	150, 151, 152	48530-87507	2507	53	* 48531-0B050	E2619	72, 73, 175
48530-80093	U2980	150, 151	48530-87508	1123	53	* 48531-0B060	2518	116, 152, 157, 164, 165, 176
48530-80094	U2980	150, 151	48530-87510	2504	53	* 48531-0B070	20002	167
48530-80095	U2980	150, 151	48530-87511	2504	53	* 48531-0B080	20002	167
48530-80096	U2980	150, 151	48530-87513	2504	53	48531-0B090	20002	167
48530-80101	U3812	152	48530-87514	2504	53	48531-0K010	E3775	166
* 48530-80106	U2980	150, 151, 152	48530-87516	1199	53	* 48531-0K050	E3775	166
* 48530-80134	E2949	176, 177, 178	* 48530-87528	2507	53	48531-0K100	E2979	167
* 48530-80135	E2949	176, 177, 178	48530-87535	2842	52, 54	48531-0K120	E2979	167
* 48530-80146	U2980	150, 151, 152	48530-87535-001	2842	54	48531-0K131	E2979	167
* 48530-80147	U2980	150, 151, 152	48530-87601	2048	54	48531-0K140	E2979	167
48530-80148	U2980	152	48530-87601	E2048	54	* 48531-0K170	E2979	167
* 48530-80149	U2980	150, 151, 152	48530-87602	2048	54, 140	* 48531-0K190	E2785	165
* 48530-80151	U2980	150, 151, 152	48530-87602	E2048	54, 140	* 48531-0K200	E2785	165
48530-80153	U2980	150, 151	48530-87603	2048	54, 140	48531-0K210	E3796	167
48530-80154	U2980	152	48530-87603	E2048	54, 140	48531-0K230	E3599	167
48530-80155	U2980	150, 151	* 48530-87606	E2048	140, 171, 175	* 48531-0K270	E3775	166
* 48530-80169	U2980	150, 151, 152	* 48530-87607	E20003	52	* 48531-0K280	E3599	167
* 48530-80197	U2980	150, 151, 152	* 48530-87609	E20003	52	* 48531-0K310	E2979	167
* 48530-80198	U2980	150, 151, 152	48530-87612	E20003	52	* 48531-0K320	E2979	167
* 48530-80227	E2949	176, 177, 178	48530-87680	E20003	52	* 48531-0K330	E2979	167
* 48530-80228	E2949	176, 177, 178	* 48530-87682	E20003	52	* 48531-0K340	E2979	167
* 48530-80404	U2980	150, 151, 152	* 48530-87685	E20003	52	* 48531-0N900	20002	167
* 48530-80405	U2980	150, 151, 152	48530-87710	1165	50	* 48531-0N901	20002	167
48530-80406	U3812	152	48530-87710	E1165	50	* 48531-10041	1074	172
* 48530-80408	U2980	150, 151, 152	48530-87712	1165	50	* 48531-10043	●2260	51, 172
* 48530-80411	U2980	150, 151, 152	48530-87712	E1165	50	* 48531-10050	1074	172
* 48530-80441	U3812	152	48530-87713	1165	50	* 48531-10062	●2260	51, 172
48530-87105	A1072	50	48530-87713	E1165	50	* 48531-10090	E1132	173
48530-87105	●B1072	50	* 48530-87714	1165	50, 51, 53, 54	* 48531-10100	E1132	173
48530-87108	A1072	50	48530-87717	A1076	50	* 48531-10110	E1132	173
48530-87108	●B1072	50	48530-87717	●B1076	50	* 48531-10121	E1132	173
* 48530-87185	E2572	147, 148	48530-87718	A1074	50	* 48531-10123	E1132	173
* 48530-87190	2207	50, 51, 147, 173	48530-87718	●B1074	50	* 48531-10141	E1132	173
48530-87201	2508	52	* 48530-87720	A1076	50	* 48531-10143	E1132	173
48530-87202	2508	52	48530-87721	A1076	50	* 48531-10161	E1132	173
48530-87206	2508	52	48530-87721	●B1076	50	* 48531-10163	E1132	173
48530-87224	1165	51	48530-87723	A1072	50	* 48531-10180	E1132	173
48530-87224	E1165	51	48530-87723	●B1072	50	* 48531-10182	E1132	173
48530-87225	1165	51	* 48530-87729	A1076	50	* 48531-11050	●1146	173
48530-87225	E1165	51	* 48530-87736	A1076	50	* 48531-12013	1112	118
48530-87226	1165	51, 53, 54	* 48530-87737	A1076	50	* 48531-12032	2207	50, 51, 147, 173
48530-87226	E1165	51, 53, 54	* 48530-87738	A1076	50	* 48531-12060	2207	50, 51, 147, 173
48530-87227	1165	53, 54	* 48530-87739	A1076	50	* 48531-12200	E2572	147, 148
48530-87227	E1165	53, 54	48530-87713	E3802	54	* 48531-12220	E2572	147, 148
48530-87228	1165	51	* 48530-87Z16	E3802	54	* 48531-12221	E2572	147, 148
48530-87228	E1165	51	* 48530-87Z18	E3802	54	* 48531-12230	E2572	147, 148
48530-87229	1165	51	* 48530-90009	B2150	149, 150	* 48531-12231	E2572	147, 148
48530-87229	E1165	51	48530-AB031	U3835	152	48531-12260	2815	147
48530-87230	1165	51	* 48531-09080	20002	167	* 48531-12260	E2572	147, 148
48530-87230	E1165	51	48531-09170	20002	167	* 48531-12270	E2572	147, 148
* 48530-87303	●3233	108, 109	* 48531-09440	E2979	167	* 48531-12300	E2572	147, 148
48530-87305	3037	51	* 48531-09450	E3599	167	48531-12320	E2572	148
48530-87305	E3435	51	* 48531-09460	E2979	167	48531-12320	●EL2572	148
48530-87305	●EL3037	51	* 48531-09480	E2979	167	* 48531-12340	E2572	147, 148
48530-87307	3235	51	* 48531-09490	E2979	167	48531-12340	●E2694	148
* 48530-87309	●3233	108, 109	* 48531-09500	E3775	166	* 48531-12360	E2572	147, 148
48530-87310	3271	52	* 48531-09550	E2979	167	48531-12360	●E2694	148
48530-87311	3272	52	* 48531-09570	E3775	166	48531-12390	E2572	148
48530-87312	●3319	52	* 48531-09590	E2979	167	48531-12391	E2572	148
48530-87315	3464	52	* 48531-09600	E2979	167	48531-12410	E2572	148
48530-87319	3271	52	* 48531-09620	E3599	167	48531-12411	E2572	148
48530-87401	E1216	54	* 48531-09640	E2785	165	48531-12430	E2572	148
48530-87404	E20009	54	* 48531-09660	E2785	165	* 48531-13030	●2193	50, 147
48530-87407	E20010	54	* 48531-09690	E2979	167	* 48531-13050	2256	147
48530-87409	E20011	54	* 48531-09710	E3599	167	* 48531-13050	E2574	147, 148
48530-87501	1123	53	* 48531-09740	E3775	166	* 48531-13090	E2574	147, 148

All items marked * are not shown on the contents of the catalogue. Written TOKICO No are just for your reference.

STOCK NO.

O.E.M NO.

KIT

STOCK NO.

O.E.M. NO.

KIT

OEM NO.	TOKICO NO.	REF PAGE
* 48531-13091	E2574	147, 148
* 48531-13110	E2574	147, 148
48531-13111	E2574	147
48531-13130	E2574	147, 148
48531-13150	E2574	148
48531-13160	E2325	148
48531-13170	E2325	148
48531-13180	E2325	148
48531-13190	E2325	148
* 48531-13230	E2325	145, 146, 153, 154, 155, 157, 158
* 48531-14011	E2572	147, 148
* 48531-14030	E2572	147, 148
* 48531-14040	E2572	147, 148
* 48531-14050	E2572	147, 148
* 48531-14071	E2572	147, 148
* 48531-14100	E2572	147, 148
* 48531-14240	E2325	145, 146, 153, 154, 155, 157, 158
* 48531-14260	E2325	145, 146, 153, 154, 155, 157, 158
* 48531-14300	2497	145, 146, 153, 154, 157, 158
* 48531-14300	E2325	145, 146, 153, 154, 155, 157, 158
* 48531-14320	2497	145, 146, 153, 154, 157, 158
* 48531-14320	E2325	145, 146, 153, 154, 155, 157, 158
* 48531-14330	E2325	145, 146, 153, 154, 155, 157, 158
* 48531-14360	E2325	145, 146, 153, 154, 155, 157, 158
* 48531-14390	E2325	145, 146, 153, 154, 155, 157, 158
* 48531-14430	2483	145, 146, 153, 157, 158, 166
* 48531-14430	E2321	158
48531-14470	2497	153
48531-14470	E2325	153
48531-14470	●EL2325	153
48531-14510	2497	145
48531-14510	E2325	145
48531-14510	●EL2325	145
* 48531-14570	2483	145, 146, 153, 157, 158, 166
* 48531-14570	E2321	158
48531-14590	2497	144, 153
48531-14590	E2325	144, 153
48531-14590	●EL2325	144, 153
* 48531-14610	E2321	158
* 48531-15010	E2574	147, 148
* 48531-16030	1139	174
* 48531-16050	1139	174
* 48531-16051	1139	174
* 48531-16070	1139	174
48531-16101	2744	173
* 48531-16101	E2572	147, 148
48531-16180	2744	173
48531-16240	2744	173
* 48531-16240	E2572	147, 148
* 48531-16260	E2572	147, 148
* 48531-19033	2207	50, 51, 147, 173
* 48531-19056	1112	118
* 48531-19075	1074	172
* 48531-19076	1074	172
48531-19077	●2260	51, 172
48531-19086	1074	172
48531-19095	2262	172
48531-19105	2207	147
48531-19105	●G2207	147
* 48531-19106	2207	50, 51, 147, 173
* 48531-19107	2207	50, 51, 147, 173
48531-19108	2207	50, 51, 147, 173
48531-19108	●G2207	147, 173
48531-19115	●2193	50, 147
* 48531-19125	1112	118
48531-19145	●2201	144
48531-19145	●2265	144
48531-19145	●G2202	144
* 48531-19155	E2572	147, 148
* 48531-19165	E2572	147, 148
48531-19175	●2201	144
48531-19175	●2265	144, 145
* 48531-19175	E2572	147, 148

OEM NO.	TOKICO NO.	REF PAGE
48531-19175	●G2202	144, 145
* 48531-19185	E2572	147, 148
48531-19196	●2260	51, 172
48531-19205	2207	147
48531-19205	●G2207	147
48531-19215	●2201	144
48531-19215	●2265	144
* 48531-19215	E2572	147, 148
48531-19215	●G2202	144
48531-19225	2207	147
48531-19225	●G2207	147
48531-19235	●2201	144
48531-19235	●2265	144
* 48531-19235	E2572	147, 148
48531-19235	●G2202	144
* 48531-19285	E2572	147, 148
48531-19295	2020	147
48531-19295	●G2299	147
48531-19305	2020	147
48531-19305	●G2299	147
48531-19315	2020	147
48531-19315	●G2299	147
48531-19325	2256	147
* 48531-19325	E2574	147, 148
* 48531-19345	E2574	147, 148
48531-19365	2020	147
48531-19365	●G2299	147
48531-19385	2550	147
48531-19395	2550	147
48531-19435	2497	144, 145, 146
48531-19435	E2325	144, 145, 146
48531-19435	●EL2325	144, 145, 146
48531-19445	2497	144, 145
48531-19445	E2325	144, 145
48531-19445	●EL2325	144, 145
48531-19465	2497	144, 145
48531-19465	E2325	144, 145
48531-19465	●EL2325	144, 145
48531-19475	2497	144, 145
48531-19475	E2325	144, 145
48531-19475	●EL2325	144, 145
48531-19485	2497	144
48531-19485	E2325	144
48531-19485	●EL2325	144
48531-19495	E1132	173
48531-19495	●G1132	173
48531-19505	E1132	173
48531-19505	●G1132	173
E1132	173	
* 48531-19515	E1132	173
48531-19535	1139	174
48531-19545	2497	145
48531-19545	E2325	145
48531-19545	●EL2325	145
48531-19555	●1146	173
48531-19565	2497	144, 145
48531-19565	E2325	144, 145
48531-19565	●EL2325	144, 145
* 48531-19585	E2572	147, 148
48531-19586	2572	147
48531-19586	E2572	147
48531-19586	●EL2572	147
48531-19595	2572	147
48531-19595	E2572	147
48531-19595	●EL2572	147
48531-19596	2572	147
48531-19596	E2572	147
48531-19596	●EL2572	147
48531-19605	2572	147
48531-19605	E2572	147
48531-19605	●EL2572	147
48531-19606	2572	147
48531-19606	E2572	147
48531-19606	●EL2572	147

OEM NO.	TOKICO NO.	REF PAGE
* 48531-19615	E2325	144, 146, 148, 154, 157, 158
48531-19625	1139	174
* 48531-19626	1139	174
48531-19635	E2574	147
* 48531-19636	E2574	147, 148
* 48531-19645	E2574	147, 148
48531-19646	E2574	147
* 48531-19665	E2572	147, 148
48531-19666	2815	147
* 48531-19666	E2572	147, 148
48531-19675	E1132	173
48531-19675	●G1132	173
48531-19676	E1132	173
48531-19676	●G1132	173
* 48531-19678	E1132	173
48531-19685	E1132	173
48531-19685	●G1132	173
48531-19686	E1132	173
48531-19686	●G1132	173
48531-19687	E1132	173
48531-19687	●G1132	173
48531-19688	E1132	173
48531-19688	●G1132	173
* 48531-19696	E1132	173
* 48531-19698	E1132	173
48531-19715	2483	146
48531-19715	●EL2483	146
48531-19716	2483	144, 145
48531-19716	●EL2483	144, 145
48531-19716	●G2321	144
48531-19717	E2321	158
* 48531-19718	E2321	158
48531-19735	1139	174
* 48531-19745	E1132	173
* 48531-19747	E1132	173
48531-19765	2483	146
48531-19765	●EL2483	146
* 48531-19766	E2321	158
48531-19766	2497	153
48531-19775	E2325	153
48531-19775	●EL2325	153
48531-19795	2483	145
48531-19795	2497	144, 145
48531-19795	E2325	144, 145
48531-19795	●EL2325	144, 145
48531-19795	●EL2483	145
* 48531-19805	2497	146, 153, 154, 157, 158
48531-19805	2727	144
* 48531-19805	E2325	145, 146, 153, 154, 155, 157, 158
48531-19825	2483	144, 145
48531-19825	●EL2483	144, 145
48531-19825	●G2321	144
48531-19835	2550	144
48531-19845	2483	144, 145, 146, 153
48531-19845	●EL2483	144, 145, 146, 153
48531-19845	●G2321	144
48531-19855	2572	147
48531-19855	E2572	147
48531-19855	●EL2572	147
48531-19865	E2574	147, 148
48531-19875	2497	144, 145, 153
48531-19875	E2325	144, 145, 153
48531-19875	●EL2325	144, 145, 153
* 48531-19885	E2572	147, 148
* 48531-19886	E2321	158
48531-19895	E2574	147
* 48531-20150	2497	146, 153, 154, 157, 158
* 48531-20150	E2325	145, 146, 153, 154, 155, 157, 158
* 48531-20170	2497	146, 153, 154, 157, 158
* 48531-20170	E2325	145, 146, 153, 154, 155, 157, 158
48531-20210	2549	153
48531-20250	2497	144, 153, 154
48531-20250	E2325	144, 153, 154

OEM NO.	TOKICO NO.	REF PAGE	OEM NO.	TOKICO NO.	REF PAGE	OEM NO.	TOKICO NO.	REF PAGE
48531-20250	●EL2325	144, 153, 154	48531-26180	●3406	163	48531-29166	2186	52, 171
* 48531-20261	2483	145, 146, 153, 157, 158, 166	48531-26210	3365	163	48531-29166	E2186	52, 171
48531-20261	E4084	169	48531-26210	E3365	163	48531-29175	2020	153
48531-20270	2483	153	48531-26220	3365	163	48531-29195	●2183	176
48531-20270	E4084	169	48531-26220	E3365	163	48531-29195	2518	176
48531-20270	●EL2483	153	48531-26220	●E3473	163	* 48531-29195	E2186	153, 157, 171
* 48531-21010	E2186	153, 157, 171	* 48531-26230	E3365	163, 164	48531-29196	●2183	176
* 48531-21020	E2186	153, 157, 171	48531-26310	E3365	164	48531-29196	2518	176
* 48531-21030	●2127	105, 153	48531-26311	E3365	164	* 48531-29196	E2186	153, 157, 171
* 48531-21040	●2127	105, 153	* 48531-26360	E3365	163, 164	48531-29225	2186	157
48531-21050	2550	153, 154	* 48531-26370	E3365	163, 164	48531-29225	E2186	157
* 48531-21060	2186	153, 157, 171	* 48531-26390	E3804	147	48531-29235	2186	157
* 48531-21060	E2186	153, 157, 171	* 48531-26430	E3804	147	48531-29235	E2186	157
* 48531-21061	2186	153, 157, 171	* 48531-26440	E3365	163, 164	* 48531-29263	2186	153, 157, 171
* 48531-21061	E2186	153, 157, 171	* 48531-26480	E3365	164	* 48531-29263	E2186	153, 157, 171
48531-22070	●2269	157	* 48531-26780	E3804	147	48531-29265	2186	153
* 48531-22100	E2321	158	48531-26860	E3804	147	48531-29265	E2186	153
* 48531-22110	2483	145, 146, 153, 157, 158, 166	* 48531-26870	E3804	147	48531-29266	2186	153
* 48531-22140	2483	145, 146, 153, 157, 158, 166	* 48531-27010	E2186	153, 157, 171	48531-29266	E2186	153
* 48531-22160	2483	145, 146, 153, 157, 158, 166	* 48531-27011	E2186	153, 157, 171	48531-29276	2186	153
* 48531-22200	E2321	158	* 48531-27030	E2048	140, 171, 175	48531-29276	3178	160
* 48531-22210	2483	145, 146, 153, 157, 158, 166	* 48531-27040	E2048	140, 171, 175	48531-29276	E2186	153
* 48531-22230	E2321	158	* 48531-27060	2800	100	48531-29276	E3178	160
* 48531-22260	E2572	147, 148	* 48531-27060	E2800	100	48531-29276	●EL3178	160
* 48531-22280	2483	145, 146, 153, 157, 158, 166	48531-27070	2048	171	48531-29295	2276	153
* 48531-22320	2483	145, 146, 153, 157, 158, 166	48531-27070	E2048	171	48531-29295	●G2315	153
* 48531-22400	2483	145, 146, 153, 157, 158, 166	48531-27080	2048	171	48531-29296	2276	153
* 48531-22420	2483	145, 146, 153, 157, 158, 166	48531-27080	E2048	171	48531-29296	●G2315	153
* 48531-22440	2483	145, 146, 153, 157, 158, 166	* 48531-27100	E2808	171	48531-29297	2276	153
* 48531-22500	2483	145, 146, 153, 157, 158, 166	48531-27110	E2808	171	48531-29297	●G2315	153
* 48531-22510	2483	145, 146, 153, 157, 158, 166	48531-27130	E2806	171	48531-29325	2048	52, 175
48531-22520	2483	158	* 48531-27131	E2806	171	48531-29325	E2048	52, 175
48531-22520	●EL2483	158	48531-27140	E2806	171	48531-29335	2048	52, 175
48531-22550	E2321	158	48531-27150	E2807	171	48531-29335	E2048	52, 175
* 48531-22570	E2321	158	48531-27180	E2807	171	48531-29345	2483	157
* 48531-22580	E2321	158	48531-27190	E2806	171	48531-29345	●EL2483	157
* 48531-22610	2483	145, 146, 153, 157, 158, 166	48531-27210	E3455	167	48531-29355	2020	157
48531-22710	E2321	158	* 48531-27250	E2048	140, 171, 175	48531-29365	2550	157
* 48531-23110	2497	146, 153, 154, 157, 158	* 48531-27260	E2048	140, 171, 175	48531-29375	2483	146, 157
* 48531-23110	E2325	144, 146, 148, 154, 157, 158	48531-28060	E2714	171, 175	48531-29375	●EL2483	146, 157
* 48531-23130	2497	146, 153, 154, 157, 158	48531-28080	2820	175	* 48531-29377	E2321	158
* 48531-23130	E2325	144, 146, 148, 154, 157, 158	48531-28110	E2827	171, 175	48531-29385	3178	162
48531-23180	2727	158	48531-28130	E2827	171, 175	48531-29385	E3178	162
48531-23230	2727	158	* 48531-28140	E2714	52, 171, 175	48531-29385	●EL3178	162
48531-24040	2483	153	48531-28160	E2827	171, 175	48531-29415	2020	157
48531-24040	●EL2483	153	* 48531-28170	E2714	52, 171, 175	* 48531-29445	2483	145, 146, 153, 157, 158, 166
* 48531-25010	E2186	153, 157, 171	* 48531-28480	E2975	175	48531-29465	3178	162
* 48531-25030	E2697	136	* 48531-28500	E2975	175	48531-29465	E3178	162
* 48531-25050	E2697	136	48531-29015	3178	162	48531-29465	●EL3178	162
48531-25070	2804	160	48531-29015	E3178	162	* 48531-29466	E3178	160, 162, 167, 168, 176
48531-25080	2504	160	48531-29015	●EL3178	162	* 48531-29475	2518	152, 157, 164, 165, 176
* 48531-25080	E2697	136	48531-29016	3178	162	* 48531-29505	E2321	158
* 48531-25090	2614	82, 86, 92, 96	48531-29016	E3178	162	48531-29515	2497	153
* 48531-25130	2614	82, 86, 92, 96	48531-29016	●EL3178	162	48531-29515	E2325	153
* 48531-25230	E3178	160, 162, 163, 167, 168, 176	48531-29017	3178	162	48531-29515	●EL2325	153
48531-26011	3365	163	48531-29017	E3178	162	48531-29525	2497	153
48531-26011	E3365	163	48531-29017	●EL3178	162	48531-29525	E2325	153
48531-26011	●E3473	163	48531-29025	2518	157	48531-29525	●EL2325	153
* 48531-26040	E3178	160, 162, 163, 167, 168, 176	48531-29035	2518	157	48531-29555	2549	153
* 48531-26050	E3178	160, 162, 163, 167, 168, 176	48531-29045	2186	157	48531-29565	2550	153
* 48531-26060	E3178	160, 162, 163, 167, 168, 176	48531-29045	E2186	157	48531-29585	2504	176
* 48531-26061	3365	163	48531-29065	2020	153	* 48531-29585	E2697	136
* 48531-26061	E3178	160, 162, 163, 167, 168, 176	48531-29075	2186	153	48531-29605	2504	176
* 48531-26061	E3365	163, 164	48531-29075	E2186	153	* 48531-29605	E2697	136
* 48531-26080	●3402	163	48531-29085	2020	153	48531-29625	3178	162
48531-26081	●3403	163	48531-29095	●2267	157	48531-29625	E3178	162
* 48531-26091	E3365	163, 164	48531-29105	2020	153	48531-29625	●EL3178	162
* 48531-26101	E3365	163, 164	* 48531-29116	E2186	153, 157, 171	* 48531-29626	E3178	160, 162, 163, 167, 168, 176
* 48531-26110	E3178	160, 162, 163, 167, 168, 176	48531-29125	●2127	153	48531-29635	3068	163
* 48531-26111	E3365	163, 164	48531-29135	●2127	153	48531-29635	E3344	163
48531-26150	3404	163	48531-29155	2020	153	48531-29635	●EL3344	163
* 48531-26160	3404	163	48531-29165	2186	52, 171	48531-29645	2048	52, 171, 175
48531-26170	3405	163	48531-29165	E2186	52, 171	48531-29645	E2048	52, 171, 175

All items marked * are not shown on the contents of the catalogue. Written TOKICO No are just for your reference.

STOCK NO.

O.E.M NO.

KIT

STOCK NO.

O.E.M NO.

KIT

OEM NO.	TOKICO NO.	REF PAGE
48531-29655	2254	52, 171
48531-29655	●EL2254	52
48531-29656	2048	171, 175
48531-29656	E2048	171, 175
* 48531-29657	E2048	140, 171, 175
48531-29665	2048	171, 175
48531-29665	2254	171
48531-29665	E2048	171, 175
* 48531-29666	E2048	140, 171, 175
48531-29675	2619	175
48531-29675	E2619	175
48531-29675	●EL2619	175
48531-29685	2497	153
48531-29685	E2325	153
48531-29685	●EL2325	153
48531-29695	2483	157
48531-29695	●EL2483	157
48531-29705	2483	157
48531-29705	●EL2483	157
48531-29715	2483	157, 158
48531-29715	●EL2483	157, 158
* 48531-29735	E2321	158
* 48531-29745	E3178	160, 162, 163, 167, 168, 176
48531-29765	2497	157, 158
48531-29765	E2325	157, 158
48531-29765	●EL2325	157, 158
* 48531-29785	2497	145, 146, 153, 154, 157, 158
* 48531-29785	E2325	145, 146, 153, 154, 157, 158
48531-29825	2550	157, 158
* 48531-29855	E2321	158
* 48531-29865	E2321	158
* 48531-29866	E2321	158
48531-29875	2048	52, 175
48531-29875	E2048	52, 175
48531-29885	2550	153
48531-29895	2549	153
48531-30090	●G3205	158
48531-30090	E3205	158
48531-30090	●G3209	158
48531-30100	●G3205	158
48531-30100	E3205	158
48531-30100	●G3209	158
* 48531-30160	E3288	159
* 48531-30191	E3288	159
* 48531-30231	E3288	159
* 48531-30241	E3288	159
* 48531-30270	3354	159
* 48531-30300	E3288	159
* 48531-30330	E3288	159
48531-30350	3354	159
48531-30350	E3354	159
48531-30360	3383	159
48531-30360	●E3383	159
48531-30370	3383	159
48531-30410	E3354	159
48531-30420	3355	159
48531-30430	3355	159
48531-31120	●G3284	159
* 48531-35120	2650	121, 165
* 48531-35120	E2650	121, 165
* 48531-35140	E3344	160, 163, 165, 167, 168, 174
48531-35162	2966	166
48531-35162	E2966	166
* 48531-35180	2650	121, 165
* 48531-35180	E2650	121, 165
48531-35190	2785	165
48531-35190	E2785	165
* 48531-35210	E2785	165
48531-35230	2946	165
48531-35280	2768	165
* 48531-35390	E2996	165
48531-35450	2787	165
48531-35450	E2787	165

OEM NO.	TOKICO NO.	REF PAGE
48531-35490	2785	165
48531-35490	E2785	165
48531-35500	E2996	165
* 48531-35510	E2785	165
* 48531-35511	E2785	165
* 48531-35522	E2996	165
* 48531-35590	20002	167
* 48531-35600	E2771	165
* 48531-35610	E2771	165
* 48531-35660	E3502	166, 171
48531-35710	E2996	165
48531-35750	E3502	166
48531-35780	E3502	166
* 48531-35781	E3502	166, 171
48531-35820	E3502	166
48531-35850	E3740	166
48531-35880	E2942	166
* 48531-36040	E3178	160, 162, 163, 167, 168, 176
* 48531-36060	E3178	160, 162, 163, 167, 168, 176
* 48531-36080	E3178	160, 162, 163, 167, 168, 176
48531-36090	3068	146
48531-36090	E3344	146
48531-36090	●EL3344	146
48531-36100	3068	146
48531-36100	E3344	146
48531-36100	●EL3344	146
48531-36110	3068	146
48531-36110	E3344	146
48531-36110	●EL3344	146
* 48531-36120	E3344	146
48531-36140	●EL3344	146
* 48531-38080	E2048	140, 171, 175
* 48531-38086	E2048	140, 171, 175
* 48531-38090	20002	167
* 48531-39015	2650	121, 165
* 48531-39015	E2650	121, 165
48531-39075	2518	164
48531-39075	E3344	164
48531-39075	●EL3344	164
48531-39076	2518	164
48531-39076	E3344	164
48531-39076	●EL3344	164
48531-39076	●EL3344	164
48531-39077	2518	164
48531-39077	E3344	164
48531-39077	●EL3344	164
* 48531-39078	●G2183	176
48531-39078	2518	164
48531-39078	E3344	164
48531-39078	●EL3344	164
48531-39105	2518	164
48531-39105	E3344	164
48531-39105	●EL3344	164
48531-39115	3141	146, 160
48531-39125	●G3205	158
48531-39125	E3205	158
48531-39125	●G3209	158
48531-39135	●G3205	158
48531-39135	E3205	158
48531-39135	●G3209	158
48531-39165	2518	164
48531-39165	E3344	164
48531-39165	●EL3344	164
48531-39205	3017	159
48531-39215	3252	159
48531-39215	E3288	159
48531-39215	●G3252	159
48531-39225	3252	159
48531-39225	E3288	159
48531-39225	●G3252	159
48531-39226	3252	159
48531-39226	E3288	159
48531-39226	●G3252	159
* 48531-39227	3355	159

OEM NO.	TOKICO NO.	REF PAGE
48531-39245	3252	159
48531-39245	E3288	159
48531-39245	●G3252	159
48531-39256	2518	164
48531-39256	E3344	164
48531-39256	●EL3344	164
48531-39265	3252	159
48531-39265	E3288	159
48531-39265	●G3252	159
48531-39275	3178	160, 176
48531-39276	E3178	160, 176
48531-39276	●EL3178	160, 176
* 48531-39277	E3178	160, 162, 163, 167, 168, 176
48531-39285	3268	160, 176
48531-39295	3269	160
48531-39305	3252	159
48531-39305	E3288	159
48531-39305	●G3252	159
48531-39325	2518	164, 165
48531-39325	E3344	164, 165
48531-39325	●EL3344	164, 165
48531-39355	3269	176
48531-39365	3068	174
48531-39365	E3344	174
48531-39365	●EL3344	174
* 48531-39366	E3344	160, 163, 165, 167, 168, 174
48531-39375	2650	165
* 48531-39375	E2650	121
48531-39375	●E2650	165
* 48531-39375	E2650	165
48531-39395	3252	159
48531-39395	E3288	159
48531-39395	●G3252	159
48531-39396	3252	159
48531-39396	E3288	159
48531-39396	●G3252	159
48531-39405	3252	159
48531-39405	E3288	159
48531-39405	●G3252	159
* 48531-39415	E3288	159
48531-39425	●G3284	159
48531-39445	3037	160
48531-39445	E3435	160
48531-39445	●EL3037	160
* 48531-39452	E3288	159
48531-39455	3178	160, 176
48531-39455	E3178	160, 176
48531-39455	●EL3178	160, 176
48531-39465	3037	176
48531-39465	E3435	176
48531-39465	●EL3037	176
48531-39475	2650	165
* 48531-39475	E2650	121
48531-39475	●E2650	165
* 48531-39475	E2650	165
* 48531-39476	2650	121, 165
48531-39485	3252	159
48531-39485	E3288	159
48531-39485	●G3252	159
48531-39495	3068	146
48531-39495	E3344	146
48531-39495	●EL3344	146
48531-39496	3068	146
48531-39496	E3344	146
48531-39496	●EL3344	146
48531-39505	3068	146
48531-39505	3141	146
48531-39505	E3344	146
48531-39505	●EL3344	146
48531-39506	3068	146
48531-39506	E3344	146
48531-39506	●EL3344	146

OEM NO.	TOKICO NO.	REF PAGE	OEM NO.	TOKICO NO.	REF PAGE	OEM NO.	TOKICO NO.	REF PAGE
48531-39515	3178	160	* 48531-42011	E2942	166, 172, 173	* 48531-60220	3401	168
48531-39515	E3178	160	* 48531-42020	E2942	166, 172, 173	* 48531-60230	3484	169
48531-39515	●EL3178	160	* 48531-42021	E2942	166, 172, 173	* 48531-60231	3484	169
* 48531-39516	E3344	160, 163, 165, 167, 168, 174	* 48531-42030	E2942	166, 172, 173	48531-60240	E4058	169
48531-39525	3068	146	* 48531-42031	E2942	166, 172, 173	48531-60260	E4084	169
48531-39525	E3344	146	* 48531-42032	E2942	166, 172, 173	48531-60280	E4098	169, 170
48531-39525	●EL3344	146	* 48531-42042	E2942	166, 172, 173	48531-60290	E4088	169
48531-39526	3068	146	48531-42051	E2942	172	48531-60290	E4098	170
48531-39526	E3344	146	* 48531-42052	E2942	166, 172, 173	48531-60340	3710	169
48531-39526	●EL3344	146	48531-42061	E2973	172	48531-60370	E4058	169
48531-39535	3355	159	* 48531-42071	E2973	172	48531-60380	E4058	169
48531-39535	●E3355	159	* 48531-42072	E2973	172	48531-60430	E4058	169
48531-39545	3355	159	48531-42090	E2942	172, 173	48531-60431	E4097	169
48531-39545	●E3355	159	48531-42100	E2942	172, 173	48531-60500	E3740	170
48531-39555	3355	159	48531-42120	E2942	173	48531-60501	E3740	170
48531-39555	●E3355	159	48531-42130	E3824	173	48531-60502	E3740	170
48531-39565	3355	159	* 48531-42140	E3824	173	48531-60510	E3740	170
48531-39565	●E3355	159	48531-49065	E2942	166	48531-60532	E3740	170
* 48531-39566	3355	159	48531-49066	E2942	172	48531-60540	E4097	169
* 48531-39576	3354	159	* 48531-49067	E2942	166, 172, 173	48531-60541	E4097	170
48531-39585	3354	159	48531-49075	E2942	166, 172	48531-60580	E3740	170
48531-39585	E3354	159	48531-49076	E2942	172	48531-60591	E3740	170
48531-39595	●3284	159	* 48531-49077	E2942	166, 172, 173	48531-60592	E3740	170
48531-39605	2771	165	48531-49085	E2942	166	48531-60600	E4131	170
48531-39605	E2771	165	* 48531-49086	E2942	166, 172, 173	48531-60610	E4118	170
48531-39605	●EL2771	165	* 48531-49087	E2942	166, 172, 173	48531-60630	E4119	170
48531-39615	2768	165	* 48531-49088	E2942	166, 172, 173	48531-60680	E4109	170
48531-39655	2857	165, 166	48531-49095	E2942	166	48531-60681	E4109	170
48531-39655	2946	165	* 48531-49097	E2942	166, 172, 173	48531-60682	E4109	170
48531-39656	2946	165	* 48531-49098	E2942	166, 172, 173	48531-60712	E4110	170
* 48531-39666	E2785	165	48531-49125	E2942	166	48531-69015	3004	146, 160, 174
48531-39675	2785	165	* 48531-49126	E2942	166, 172, 173	48531-69016	3004	174
48531-39675	E2785	165	* 48531-49127	E2942	166, 172, 173	48531-69025	3004	176
48531-39695	2787	165	* 48531-49128	E2942	166, 172, 173	48531-69026	3004	176
48531-39695	E2787	165	* 48531-49135	E2942	166, 172, 173	48531-69045	3068	167, 168
48531-39705	3354	159	* 48531-49135	E2973	172	48531-69045	E3344	167, 168
48531-39705	E3354	159	* 48531-49136	E2973	172	48531-69045	●EL3344	167, 168
* 48531-39706	3354	159	* 48531-49137	E2973	172	48531-69046	3037	167
* 48531-39706	E3354	159	* 48531-49147	E2973	172	48531-69046	E3435	167
48531-39715	3178	160	* 48531-49148	E2973	172	48531-69046	●EL3037	167
48531-39715	E3178	160	48531-49205	E2942	172, 173	48531-69047	3037	167
48531-39715	●EL3178	160	48531-49215	E2942	172, 173	48531-69047	E3435	167
* 48531-39716	E3178	160, 162, 163, 167, 168, 176	48531-49275	E2942	172	48531-69047	●EL3037	167
* 48531-39717	E3178	160, 162, 163, 167, 168, 176	48531-49285	E2942	173	* 48531-69048	3037	160, 167, 168, 176
48531-39725	3267	160	48531-59765	E4110	170	48531-69055	3037	167
* 48531-39726	E3344	160, 163, 165, 167, 168, 174	48531-60010	3394	168	48531-69055	E3435	167
* 48531-39727	E3344	160, 163, 165, 167, 168, 174	48531-60010	●E3394	168	48531-69055	●EL3037	167
* 48531-39746	E3344	160, 163, 165, 167, 168, 174	* 48531-60050	E3435	160, 167, 168, 176	48531-69056	3037	168
48531-39785	3355	159	* 48531-60060	E4131	170	48531-69056	E3435	168
48531-39795	3355	159	* 48531-60061	E3435	160, 167, 168, 176	48531-69056	●EL3037	168
* 48531-39805	3383	159	* 48531-60071	E3435	160, 167, 168, 176	48531-69057	3037	167, 168
48531-39815	3383	159	48531-60080	3037	168	48531-69057	E3435	167, 168
48531-39825	3354	159	48531-60080	●EL3314	168	48531-69057	●EL3037	167, 168
48531-39825	E3354	159	48531-60081	3037	168	* 48531-69059	E3435	160, 167, 168, 176
48531-39835	E3354	159	48531-60081	E3435	168	48531-69065	3037	168
48531-39845	3383	159	48531-60081	●EL3037	168	48531-69065	E3435	168
* 48531-39857	2650	121, 165	* 48531-60100	3374	168	48531-69065	●EL3037	168
* 48531-39857	E2650	121, 165	* 48531-60100	E3374	168	48531-69066	3037	168
* 48531-39866	2946	165, 166	* 48531-60101	3374	168	48531-69066	E3435	168
48531-39895	2787	165	* 48531-60101	E3374	168	48531-69066	●EL3037	168
48531-39895	E2787	165	48531-60105	3401	168	* 48531-69067	3037	167, 168, 176
* 48531-39925	E2771	165	48531-60110	3375	168	48531-69075	3037	167
48531-39935	2771	165	48531-60110	E3375	168	48531-69075	E3435	167
48531-39935	E2771	165	* 48531-60110	E4133	170	48531-69075	●EL3037	167
48531-39935	●EL2771	165	48531-60120	3394	168	48531-69085	3415	168
* 48531-39975	20002	167	48531-60120	●E3394	168	* 48531-69086	3415	168
48531-3D061	2966	166	* 48531-60121	3394	168	48531-69095	3416	168
48531-3D061	E2966	166	48531-60140	3374	168	48531-69096	3416	168
* 48531-3D110	2795	87, 88, 89	48531-60140	E3374	168	* 48531-69105	3401	168
* 48531-3D110	E2795	87, 88	48531-60160	3415	168	48531-69106	3401	168
48531-3D221	E3740	166	48531-60170	3416	168	48531-69115	3401	168
48531-3D231	E3740	166	* 48531-60190	3401	168	48531-69116	3401	168
* 48531-42010	E2942	166, 172, 173	* 48531-60200	E3435	160, 167, 168, 176	48531-69125	E4129	168

All items marked * are not shown on the contents of the catalogue. Written TOKICO No are just for your reference.

STOCK NO.

O.E.M NO.

KIT

STOCK NO.

O.E.M. NO.

KIT

OEM NO.	TOKICO NO.	REF PAGE	OEM NO.	TOKICO NO.	REF PAGE	OEM NO.	TOKICO NO.	REF PAGE
48531-69126	E4129	168	48531-69535	E4097	169	* 48531-80048	2713	171, 175
48531-69135	3374	168	48531-69536	E4097	169, 170	* 48531-80048	E2713	52, 171, 175
48531-69135	E3374	168	48531-69595	E3740	170	48531-80048	E2827	171, 175
48531-69136	3374	168	48531-69605	E3740	170	48531-80050	3178	162
48531-69136	●E3695	168	48531-69606	E3740	170	48531-80050	E3178	162
* 48531-69136	E3374	168	48531-69607	E3740	170	48531-80050	●EL3178	162
* 48531-69138	3374	168	48531-69615	E4131	170	48531-80052	E2827	52, 171, 175
* 48531-69138	E3374	168	48531-69625	E4118	170	* 48531-80053	E2714	52, 171, 175
48531-69145	3394	168	48531-69645	E4119	170	48531-80054	2744	173
48531-69145	●E3394	168	48531-69655	E4132	170	* 48531-80054	E2572	147, 148
48531-69146	3394	168	48531-69685	E4109	169, 170	48531-80055	E2572	148
48531-69146	●E3394	168	48531-69695	E4110	169, 170	48531-80055	●EL2572	148
* 48531-69146	●E3401	168	48531-69705	E4110	170	* 48531-80056	E2572	147, 148
48531-69147	3394	168	48531-69715	E4110	169, 170	48531-80056	●E2694	148
48531-69147	●E3394	168	48531-69735	E4110	170	* 48531-80057	●E2694	147, 148
48531-69148	3394	168	48531-69755	E4110	170	48531-80057	●E2694	148
* 48531-69158	3375	168	48531-69775	E4109	169, 170	48531-80059	2858	165
* 48531-69165	3374	168	48531-69795	E4110	170	* 48531-80059	E2785	165
* 48531-69165	E3374	168	* 48531-69815	E4110	169, 170	* 48531-80060	2804	160
* 48531-69216	3483	169	48531-69825	E4110	170	48531-80062	E2996	165
* 48531-69225	3484	169	48531-69835	E4109	170	48531-80065	2504	160
* 48531-69226	3484	169	48531-80001	2497	144, 146, 153, 154	* 48531-80065	E2697	136
48531-69235	E4058	169	48531-80001	E2325	144, 146, 153, 154	* 48531-80070	2614	82, 86, 92, 96
* 48531-69236	E4058	169	48531-80001	●EL2325	144, 146, 153, 154	48531-80071	E2325	148
48531-69245	E4058	169	48531-80002	2483	144, 145	48531-80072	E2325	148, 149
48531-69247	E4058	169	48531-80002	●EL2483	144, 145	* 48531-80075	2614	82, 86, 92, 96
48531-69255	E4058	169	48531-80002	●G2321	144	* 48531-80078	E2808	171
48531-69256	E4058	169	48531-80003	●EL3344	146	* 48531-80079	E2808	171
48531-69275	E4084	169	48531-80007	2483	157	48531-80080	E2572	148
48531-69277	E4084	169	48531-80007	●EL2483	157	48531-80081	2946	166
48531-69285	E4084	169	* 48531-80008	2483	144, 145, 146, 153, 157, 158	48531-80081	E2996	165
* 48531-69286	E4084	169	48531-80010	2744	173	48531-80081	●EL2888	166
48531-69295	3710	168, 169	48531-80015	2048	171	* 48531-80082	E3502	166, 171
48531-69296	3710	169	48531-80015	E2048	171	48531-80083	E3502	166
48531-69315	E4088	169	48531-80016	E2714	52, 171, 175	48531-80085	E2572	148
48531-69316	E4088	169	48531-80018	2820	171, 175	48531-80088	E3502	166
48531-69325	E4098	170	48531-80019	2048	171	48531-80089	E3502	166
* 48531-69325	E4108	169, 170	48531-80019	E2048	171	48531-80090	E2572	148
* 48531-69326	E4098	169, 170	48531-80020	3178	163	48531-80091	E3502	166, 171
* 48531-69335	E4088	169	48531-80020	E3178	163	48531-80091A	E3502	166
48531-69335	E4098	170	48531-80020	●EL3178	163	* 48531-80095	3404	163
* 48531-69335	E4118	170	48531-80021	3068	163	48531-80099	E2572	148
* 48531-69336	E4088	169	48531-80021	E3344	163	* 48531-80100	3404	163
48531-69345	E4058	169	48531-80021	●EL3344	163	48531-80101	E2572	148
48531-69355	E4098	170	48531-80022	●3402	163	48531-80108	2859	166
48531-69356	E4098	170	48531-80023	3178	163	* 48531-80108	E2785	165
* 48531-69365	E4088	169	48531-80023	E3178	163	* 48531-80109	E2785	165
48531-69365	E4098	170	48531-80023	●EL3178	163	48531-80112	E2996	165
48531-69366	E4098	170	* 48531-80025	E3178	160, 162, 163, 167, 168, 176	* 48531-80117	2795	87, 88, 89
48531-69385	3484	169	* 48531-80027	E2572	147, 148	* 48531-80117	E2795	87, 88
* 48531-69386	3483	169	48531-80028	2572	147	48531-80118	E2325	149
48531-69395	3483	169	48531-80028	E2572	147	48531-80130	3365	163
* 48531-69396	3484	169	48531-80028	●EL2572	147	48531-80130	E3365	163
48531-69415	E4058	169	* 48531-80029	E2572	147, 148	* 48531-80135	E3365	163, 164
48531-69416	E4097	169	48531-80029	●E2694	147	48531-80138	E3365	164
48531-69417	E4097	169	* 48531-80030	E2572	147, 148	48531-80140	3365	163
48531-69418	E4097	169	48531-80030	●E2694	147	48531-80140	E3365	163
48531-69445	E4058	169	48531-80033	2483	153	48531-80149	E20008	155
48531-69445	E4098	169	48531-80033	●EL2483	153	48531-80151	E20014	155
48531-69455	E4098	169, 170	48531-80036	2744	173	48531-80157	E3502	166
48531-69456	E4098	170	48531-80039	●3402	163	* 48531-80173	20002	167
* 48531-69485	E4097	169, 170	48531-80041	3365	163	* 48531-80175	E2325	144, 146, 149, 153, 155, 158
48531-69486	E4097	169	48531-80041	E3365	163	* 48531-80180	E2325	144, 146, 149, 153, 155, 158
48531-69495	E3740	169, 170	48531-80041	●E3473	163	* 48531-80181	E2325	144, 146, 149, 153, 155, 158
48531-69495	●EL3740	169	48531-80042	3365	163	* 48531-80185	2483	145, 146, 153, 158, 166
48531-69496	E3740	170	48531-80042	E3365	163	48531-80198	E3740	166
48531-69497	E3740	170	48531-80042	●E3472	163	48531-80200	E2325	154, 155
48531-69505	E3740	169, 170	48531-80042	●E3473	163	* 48531-80204	2744	173
48531-69505	●EL3740	169	* 48531-80043	E3365	163, 164	* 48531-80209	E2321	158
48531-69525	E3740	170	48531-80043	●E3472	163	48531-80212	E20008	155
48531-69526	E3740	169, 170	48531-80044	3365	163	48531-80213	E20014	155
48531-69526	●EL3740	169	48531-80044	E3365	163	* 48531-80220	E2714	52, 171, 175
48531-69527	E3740	170	48531-80044	●E3473	163	48531-80227	E20008	155

OEM NO.	TOKICO NO.	REF PAGE	OEM NO.	TOKICO NO.	REF PAGE	OEM NO.	TOKICO NO.	REF PAGE
48531-80270	E2806	171	48531-80665	E2996	165	48540-06250	B3215	141
* 48531-80271	E2806	171	* 48531-80669	E2966	166	48540-06361	B3254	141
48531-80275	E2806	171	48531-80688	E3740	166	48540-06440	B3258	141
48531-80290	E2806	171	48531-80689	E3740	166	48540-07080	B3182	143
* 48531-80310	E2572	147, 148	48531-80699	2966	166	48540-09130	B3162	157
* 48531-80315	E2572	147, 148	* 48531-80699	E2966	166	48540-09220	B2151	150
48531-80325	2483	166	* 48531-80725	E3804	147	48540-09270	B2151	150
* 48531-80345	E2321	158	48531-80736	E3804	147	48540-09280	B2151	150
48531-80365	2868	158, 160	* 48531-80738	E3804	147	48540-09380	B3215	141
48531-80375	2868	158, 160	* 48531-8705	E2572	147, 148	48540-12020	B1034	147, 148
* 48531-80385	E2321	158	48531-87180	2207	50	48540-12040	B1034	147, 148
48531-80395	2549	154	48531-87181	2207	50	48540-12100	B1065	148, 150
48531-80396	2549	154	* 48531-87183	E2572	147, 148	48540-12120	A2125	148
48531-80398	3365	163	* 48531-87184	E2572	147, 148	48540-12120	B2125	148
48531-80398	E3365	163	* 48531-87185	E2572	147, 148	48540-12140	A2125	148
48531-80399	3365	163	48531-87201	1213	126	48540-12140	B2125	148
48531-80399	3530	163	48531-87246	1211	51	* 48540-12141	B2125	148
48531-80399	E3365	163	48531-87257	1211	51	* 48540-12160	B2125	148
* 48531-80401	E3804	147	48531-87257	1213	126	* 48540-12161	B2125	148
48531-80402	3365	163	48531-87258	1211	51	* 48540-12180	B2125	148
48531-80402	E3365	163, 164	48531-87276	1214	51	* 48540-12181	B2125	148
* 48531-80416	E3804	147	48531-87277	1214	51	* 48540-12200	B2125	148
48531-80428	E3365	164	48531-87285	1214	51	* 48540-12201	B2125	148
* 48531-80441	E3178	160, 162, 163, 167, 168, 176	48531-87286	1214	51	48540-12220	A2125	148
* 48531-80443	E3344	160, 163, 165, 167, 168, 174	48531-87293	1214	51	48540-12220	B2125	148
* 48531-80444	E3344	160, 163, 165, 167, 168, 174	48531-87294	1214	51	48540-12240	A2125	148
* 48531-80446	3404	163	* 48531-87310F	3271	52, 58	48540-12240	B2125	148
* 48531-80449	3404	163	* 48531-87311D	3272	52, 58	* 48540-12241	B2125	148
48531-80452	2804	160	* 48531-87312D	●3319	52, 58, 109	* 48540-12260	B2125	148
* 48531-80454	2614	82, 86, 92, 96	* 48531-87315	3464	52	* 48540-12261	B2125	148
48531-80456	2504	160	* 48531-87319	3271	52, 58	48540-12330	A2125	148
* 48531-80456	E2697	136	48531-87517	1199	53	48540-12330	B2125	148
* 48531-80457	2614	82, 86, 92, 96	* 48531-87531	2507	53	* 48540-12350	B2125	148
48531-80466	E3740	166	* 48531-87541	2804	160	* 48540-12370	B2125	148
* 48531-80470	E3178	160, 162, 163, 167, 168, 176	* 48531-87542	2804	160	* 48540-12390	B2125	148
* 48531-80477	E3178	160, 162, 163, 167, 168, 176	* 48531-87607	E20003	52	* 48540-12440	B2125	148
* 48531-80488	3404	163	48531-87B01	1214	51	* 48540-12460	B2125	148
* 48531-80489	3404	163	48531-87Z01	1211	51	48540-12490	A1080	149
48531-80503	E3502	166	* 48531-89205	E3344	160, 163, 165, 167, 168, 174	48540-12490	B1080	149
48531-80506	E3502	166	* 48531-97203	E1217	51, 54	48540-12500	A1080	149
48531-80507	E3502	166	* 48531-97204	E1217	51, 54	48540-12500	B1080	149
48531-80508	E3502	166	48531-97206	E1217	51	* 48540-12510	B2151	149, 150
48531-80510	E3502	166	48531-97227	E1217	54	48540-12520	B2151	149
* 48531-80515	E2785	165	* 48531-97228	E1217	51, 54	48540-12530	B2151	149
* 48531-80516	E2785	165	48531-97231	E1217	54	* 48540-12550	B2151	149, 150
* 48531-80518	2946	165, 166	48531-97235	E1217	54	48540-12580	A1080	149
48531-80525	E3740	166	48531-97236	E1217	54	48540-12580	B1080	149
* 48531-80527	E2942	166, 172, 173	* 48531-97237	E1217	51, 54	48540-12590	A1080	149
48531-80530	E3365	164	48531-97238	E1217	54	48540-12590	B1080	149
* 48531-80536	E3804	147	* 48531-97402	E1217	51, 54	48540-12610	B2151	149
48531-80538	E3365	164	48531-97403	E1217	54	48540-12620	B2151	149
* 48531-80545	E3365	163, 164	48531-97409	E1217	54	48540-12650	B2151	149
* 48531-80547	E3804	147	48531-97410	E1217	54	* 48540-12660	B2151	149, 150
48531-80550	2804	160	* 48531-97411	E1217	51, 54	48540-12670	B2151	149
* 48531-80552	2614	82, 86, 92, 96	48531-97414	E1217	54	48540-12700	B2268	150, 173
48531-80554	2504	160	48531-97416	E1217	54	48540-12710	B2151	149
* 48531-80554	E2697	136	48531-97419	E1217	54	48540-12720	B2151	149
* 48531-80555	2614	82, 86, 92, 96	48531-97420	E1217	54	* 48540-12730	B2151	149, 150
48531-80560	E2975	175	* 48531-97424	E1217	51, 54	48540-12750	B2151	149
* 48531-80561	E2975	175	48531-A9030	U3835	152	48540-12760	B2151	149
48531-80579	●EL3344	146	48531-AD020	U3835	152	48540-12770	B2151	149
* 48531-80585	2804	160	* 48531-BZ010	E2999	54, 140	48540-12780	B2151	149
48531-80587	2804	160	* 48531-BZ050	E2999	54, 140	* 48540-12790	B1080	149
48531-80588	2504	160	* 48531-BZ060	E2999	54, 140	* 48540-12830	B2151	149, 150
* 48531-80588	E2697	136	* 48531-BZ080	E2999	54, 140	* 48540-12850	B1080	149
* 48531-80589	2614	82, 86, 92, 96	48531-BZ090	E2999	54, 140	48540-12860	A1080	149
* 48531-80590	2614	82, 86, 92, 96	4853A-87310	3271	58	48540-12860	B1080	149
* 48531-80642	2795	87, 88, 89	4853A-87311	3272	58	* 48540-12890	B2151	149, 150
* 48531-80642	E2795	87, 88	4853A-87312	●3319	58	* 48540-12890C	B1080	149
48531-80644	2966	166	* 48540-02120	B2151	149, 150	48540-13050	B2151	149, 150
48531-80644	E2966	166	* 48540-05010	B3146	154, 156, 157	48540-16010	B1032	174
48531-80653	E3740	166	48540-05030	B3162	157	48540-16011	B1032	174
48531-80663	E3740	166	* 48540-06170	B3182	141, 142, 143	48540-16030	B1032	174

All items marked * are not shown on the contents of the catalogue. Written TOKICO No are just for your reference.

STOCK NO.
O.E.M NO.
KIT

STOCK NO.

O.E.M. NO.

KIT

OEM NO.	TOKICO NO.	REF PAGE	OEM NO.	TOKICO NO.	REF PAGE	OEM NO.	TOKICO NO.	REF PAGE
* 48540-16031	B1032	174	48540-20530	B3148	146	* 48540-87706	A1077	50
48540-16042	B1032	174	48540-20550	B3148	146, 154	48540-87707	A1077	50
48540-16051	B1032	174	48540-20570	B3148	146	48540-87707	●B1077	50
48540-16H00	B1032	174	48540-20640	B3148	146	48540-87709	A1073	50
* 48540-16H01	B1032	174	* 48540-20670	B3148	146, 154	48540-87709	●B1073	50
48540-19095	A1080	149	* 48540-20700	B2201	145, 154, 156	* 48540-87715	A1077	50
48540-19095	B1080	149	* 48540-20730	B2201	145, 154, 156	* 48540-87722	A1077	50
* 48540-19115	B1080	149	48540-20760	B2201	145, 154, 156	* 48540-87723	A1077	50
48540-19145	B2268	150	* 48540-20770	B2201	145, 154, 156	* 48540-87724	A1077	50
48540-19155	B2268	150, 173	* 48540-20780	B3146	154, 156, 157	* 48540-87725	A1077	50
* 48540-19165	B2151	149, 150	48540-20820	B3162	157	48541-04031	2786	166
48540-19175	B2268	150, 173	48540-20850	B3162	157	48541-04031	E2786	166
* 48540-19185	B2151	149, 150	48540-21040	B3146	156, 157	* 48541-35020	2859	165, 166
* 48540-19205	B2151	149, 150	48540-21070	B3146	156, 157	48541-35020	E2859	165
48540-19215	B2151	149, 150	* 48540-29115	B3146	154, 156, 157	* 48541-35030	E2785	165
* 48540-19226	B2151	149, 150	* 48540-29155	B3146	154, 156, 157	* 48541-35040	2859	165, 166
48540-19235	B2268	150	48540-29195	B3146	156, 157	48541-35040	E2859	165
48540-19255	B2268	150, 173	48540-29265	B3146	156, 157	* 48541-35050	E2996	165
48540-19265	B2151	149, 150	48540-29305	B3146	156, 157	48541-35070	2788	165
48540-19285	B2151	150	* 48540-29315	B3146	154, 156, 157	48541-35080	E2859	165
48540-19295	B2151	149, 150	48540-29325	B3146	156, 157	* 48541-35092	2859	165, 166
48540-19305	B2151	149, 150	* 48540-2B010	B3146	154, 156, 157	48541-35092	E2859	165
48540-19325	B2151	149, 150	48540-2B030	B3146	154, 157	48541-35231	2786	166
48540-19335	B2151	149, 150	* 48540-2B040	B3146	154, 156, 157	48541-35231	E2786	166
* 48540-1A020	B1080	149	* 48540-2B070	B3146	154, 156, 157	48541-39025	2786	165
* 48540-1A020	B2151	149, 150	* 48540-2B080	B3146	154, 156, 157	* 48541-39026	2786	165, 166
48540-1A100	B2268	150, 173	* 48540-2B150	B3146	154, 156, 157	48541-39035	2788	165
48540-1A110	B2268	150, 173	* 48540-2B170	B2201	145, 154, 156	* 48541-39046	E2787	165
* 48540-1A120	B2151	149, 150	* 48540-2B190	B2201	145, 154, 156	48541-39055	2788	165
48540-1A140	B2151	149, 150	* 48540-2B200	B3146	154, 156, 157	* 48541-39056	2788	165
48540-1A160	B2268	173	* 48540-2B230	B2201	145, 154, 156	48541-39085	2859	165
* 48540-1A170	B2151	149, 150	48540-2B260	B3162	154, 156, 157	48541-39085	E2859	165
48540-1A180	B2151	150	* 48540-2B310	B2201	145, 154, 156	* 48541-39105	2859	165, 166
48540-1A250	B2151	149, 150	* 48540-2B340	B3146	154, 156, 157	48541-39105	E2859	165
48540-1A251	B2151	149	* 48540-2B470	B2201	145, 154, 156	* 48541-39185	2859	165, 166
48540-1A261	B2151	149, 150	48540-2B550	B3146	156, 157	48541-39185	E2859	165
48540-1A270	B2151	149, 150	48540-2B570	B3146	156	* 48541-39186	2859	165, 166
48540-20010	B2051	145, 154	48540-2B740	B3146	157	48541-39186	E2859	165
48540-20030	B2051	145, 154	48540-32010	●B2043	140	* 48541-39215	2859	165, 166
48540-20050	B2051	145, 154	48540-32040	●B2043	140	48541-39215	E2859	165
48540-20070	B2051	145, 154	48540-32041	●B2043	140	* 48541-39227	2859	165, 166
* 48540-20090	B2051	145, 154	48540-32060	Z3118	140	48541-39227	E2859	165
48540-20130	●B3016	144, 146, 155	48540-32070	Z3118	140	48541-39305	2786	166
48540-20131	B3044	144, 145, 146, 154, 155	48540-32080	●Z3119	140	48541-39305	E2786	166
48540-20140	●B3016	155	* 48540-32120	Z3118	140	48541-39306	2786	166
48540-20150	●B3016	145, 154, 155	48540-32140	Z3118	140	48541-39306	E2786	166
* 48540-20151	B3044	144, 145, 146, 154, 155	48540-32180	●Z3119	140	48541-39316	2786	166
48540-20160	●B3016	146, 155	* 48540-32190	Z3118	140	48541-39316	E2786	166
48540-20161	B3044	145, 146, 154, 155	* 48540-32190	●Z3119	140	48541-60010	3401	168
48540-20171	B3044	146	48540-32220	Z3154	140	48541-60010	●E3401	168
48540-20180	B3044	146	48540-32230	Z3154	140	48541-60020	3416	168
* 48540-20210	B2127	154	48540-32H00	●B2043	140	* 48541-60040	3401	168
* 48540-20230	B2127	154	48540-33090	B3182	141, 142, 143	* 48541-60050	3401	168
48540-20240	B2127	154	48540-33160	B3182	141, 142, 143	* 48541-60060	E3435	160, 167, 168, 176
* 48540-20250	B2127	154	48540-39115	Z3154	141, 142	* 48541-60121	3401	168
48540-20260	B2127	154	48540-39125	Z3154	141, 142	48541-69015	3416	168
* 48540-20270	B3050	145, 154	48540-39145	Z3154	141, 142	48541-69025	3401	168
* 48540-20290	B3050	145, 154	48540-39155	B3182	141, 142, 143	48541-69026	3401	168
48540-20300	B3050	154	48540-39195	B3182	141, 142, 143	48541-69035	3401	168
48540-20320	B3050	154	48540-39225	B3182	141, 142, 143	48541-69036	3401	168
* 48540-20330	B3050	145, 154	48540-39236	B3182	141, 142, 143	48541-69045	E4130	168
48540-20340	B3050	154	48540-39246	B3182	141, 142, 143	48541-69046	E4130	168
* 48540-20360	B2127	154	48540-39295	B3182	141, 142, 143	48541-69055	3401	168
* 48540-20370	B3050	145, 154	48540-39355	B3182	141, 142, 143	48541-69055	●E3401	168
* 48540-20400	B3050	145, 154	48540-39375	B3182	141, 142, 143	48541-69056	3401	168
48540-20410	B2127	154	48540-87105	A1073	50	48541-69057	3401	168
* 48540-20430	B2127	154	48540-87105	●B1073	50	48541-69057	●E3401	168
* 48540-20460	B2127	154	48540-87108	A1073	50	48541-69058	3401	168
* 48540-20470	B2127	154	48540-87108	●B1073	50	48611-01G00	SD1005	110
* 48540-20480	B3050	145, 154	48540-87703	A1077	50	48611-01G10	SD1006	110
48540-20490	B3050	145	48540-87703	●B1077	50	48611-01J00	SD2910	113
48540-20510	B3148	146	48540-87704	A1075	50	48611-26J00	SD2902	113
* 48540-20520	B3148	146, 154	48540-87704	●B1075	50	* 48611-26J00LB	SD2902	113

OEM NO.	TOKICO NO.	REF PAGE	OEM NO.	TOKICO NO.	REF PAGE	OEM NO.	TOKICO NO.	REF PAGE
48611-44000	SD2149	113	51602-S9A-J07	B4027	66	51605-S87-A04	U3730	62
48611-46500	SD2149	113	51602-S9A-J16	B4027	66	51605-S87-A06	U3730	62
48611-50W00	SD1004	110	51602-S9A-J17	B4027	66	51605-S9A-034	B4026	66
48611-C6000	SD2002	113	51602-S9A-J35	B4029	66	51605-S9A-J22	B4028	66
48611-C9300	SD2004	113	51602-SAA-G02	B2289	67	* 51605-SAA-004	B2290	67
48611-VB000	SD2967	113	51602-SAA-G12	B2289	67	51605-SAA-033	B2288	67
48611-VB010	SD2967	113	51602-SAA-J15	B2289	67	51605-SAA-G02	B2288	67
48611-VC000	SD2968	113	51602-SAA-J25	B2289	67	51605-SAA-J51	B2290	67
48730-63241	SD1154	136	51602-SAA-J51	B2291	67	51605-SAE-T02	B2286	67
48730-63990	SD1154	136	51602-SAA-J61	B2291	67	51605-SAG-C02	B2290	67
48730-79000	SD1003	136	51602-SB2-014	●A2072	63, 66	51605-SB0-013	Q2689	68
48730-80000	SD1002	136	51602-SB2-014	●B2072	63, 66	51605-SB0-014	Q2689	68
48730-80010	SD1002	136	* 51602-SB2-024	●A2072	63, 66	51605-SB0-023	Q2689	68
48730-80011	SD1002	136	* 51602-SB2-024	●B2072	63, 66	51605-SB0-024	Q2689	68
* 49530-52061	E2949	176, 177, 178	* 51602-SB2-934	●A2072	63, 66	51605-SB0-034	Q2689	68
4A540-1A160	B2268	150	* 51602-SB2-934	●B2072	63, 66	51605-SB0-A02	U3730	62
51601-S03-J51	U3736	64	* 51602-SB2-936	●A2072	63, 66	51605-SB0-A04	U3730	62
51601-S03-J61	U3736	64	* 51602-SB2-936	●B2072	63, 66	51605-SB2-004	●A2071	63
51601-S03-N01	U3736	64	* 51602-SB2-937	●A2072	63, 66	51605-SB2-004	●B2071	63
51601-S04-J51	U3736	65	* 51602-SB2-937	●B2072	63, 66	51605-SB2-014	●A2071	63, 66
51601-S04-J61	U3736	64, 65	51602-SB3-671	●A2072	66	51605-SB2-014	●B2071	63, 66
51601-S04-N11	U3736	65	51602-SB3-671	●B2072	66	51605-SB2-024	●A2071	63, 66
51601-S10-A22	U3738	66	* 51602-SB3-937	●A2072	63, 66	51605-SB2-024	●B2071	63, 66
51601-S10-J03	U3738	66	* 51602-SB3-937	●B2072	63, 66	51605-SB2-931	●A2071	63
51601-S87-A04	U3730	62	* 51602-SB3-961	●A2072	63, 66	51605-SB2-931	●B2071	63
51601-S9A-J06	B4026	66	* 51602-SB3-961	●B2072	63, 66	51605-SB2-932	●A2071	63
51601-S9A-J07	B4026	66	51602-SM4-E24	U3737	62	51605-SB2-932	●B2071	63
51601-S9A-J16	B4026	66	* 51602-SR3-A21	U3457	63, 64, 65, 66, 67, 68	51605-SB2-933	●A2071	63
51601-S9A-J17	B4026	66	* 51602-SR3-A31	U3457	63, 64, 65, 66, 67, 68	51605-SB2-933	●B2071	63
51601-S9A-J35	B4028	66	* 51602-SR3-A41	U3457	63, 64, 65, 66, 67, 68	51605-SB2-934	●A2071	63
51601-SAA-G02	B2288	67	* 51602-SR3-B11	U3457	63, 64, 65, 66, 67, 68	51605-SB2-934	●B2071	63
51601-SAA-G12	B2288	67	* 51602-SR3-C01	U3457	63, 64, 65, 66, 67, 68	51605-SB2-935	●A2071	63
51601-SAA-J15	B2288	67	* 51602-SR3-C21	U3457	63, 64, 65, 66, 67, 68	51605-SB2-935	●B2071	63
51601-SAA-J25	B2288	67	51602-SV4-922	U3737	62	51605-SB2-936	●A2071	63
51601-SAA-J51	B2290	67	51602-SV4-J12	U3737	62	51605-SB2-936	●B2071	63
51601-SAA-J61	B2290	67	51602-SWA-J15	B3300	66	51605-SB2-961	●A2071	63
51601-SB2-014	●A2071	63, 66	51602-SWA-J16	B3300	66	51605-SB2-961	●B2071	63
51601-SB2-014	●B2071	63, 66	* 51605-S01-A01	U3736	64, 65	51605-SB2-A02	U3730	62
* 51601-SB2-024	●A2071	63, 66	51605-S04-J01	U3736	64, 65	51605-SB2-A03	U3730	62
* 51601-SB2-024	●B2071	63, 66	51605-S04-N01	U3736	64, 65	51605-SB3-931	●A2071	66
* 51601-SB2-934	●A2071	63, 66	51605-S04-Y02	U3544	66	51605-SB3-931	●B2071	66
* 51601-SB2-934	●B2071	63, 66	51605-S0A-922	U3807	62	51605-SB3-932	●A2071	66
* 51601-SB2-936	●A2071	63, 66	51605-S0A-J12	U3807	62	51605-SB3-932	●B2071	66
* 51601-SB2-936	●B2071	63, 66	51605-S10-024	U3738	66	51605-SB3-961	●A2071	66
* 51601-SB2-937	●A2071	63, 66	51605-S10-A01	U3738	66	51605-SB3-961	●B2071	66
* 51601-SB2-937	●B2071	63, 66	51605-S1A-E02	U3807	62	* 51605-SB4-930	●A2071	63, 66
51601-SB3-671	●A2071	66	51605-S1A-G21	U3807	62	* 51605-SB4-930	●B2071	63, 66
51601-SB3-671	●B2071	66	* 51605-S21-K01	U3736	64, 65	51605-SB4-A06	U3730	62
* 51601-SB3-937	●A2071	63, 66	* 51605-S21-W01	U3544	66	51605-SB7-A06	U3730	62
* 51601-SB3-937	●B2071	63, 66	51605-S37-G00	U3737	62	51605-SDA-Y03	U3781	62, 63
* 51601-SB3-961	●A2071	63, 66	51605-S5A-A07	B3204	64	51605-SDB-A04	U3781	62, 63
* 51601-SB3-961	●B2071	63, 66	51605-S5A-A09	B4020	64	51605-SDB-Y04	U3781	62, 63
51601-SM4-E24	U3737	62	* 51605-S5A-G56	B4020	64	* 51605-SDE-T01	U3781	62, 63
51601-SM4-K100-M2	U3714	62	51605-S5A-J55	B3204	64	51605-SE0-003	Q2781	62, 68
* 51601-SR3-A21	U3456	63, 64, 65, 66, 67, 68	* 51605-S5A-N09	B4020	64	51605-SE0-003	U2781	62, 68
* 51601-SR3-A31	U3456	63, 64, 65, 66, 67, 68	51605-S5A-N55	B3204	64	51605-SE0-010	Q2781	62, 63, 68
* 51601-SR3-A41	U3456	63, 64, 65, 66, 67, 68	51605-S5A-R31	B3204	64	51605-SE0-010	U2781	62, 63, 68
* 51601-SR3-B11	U3456	63, 64, 65, 66, 67, 68	51605-S5A-U51	B4020	64	51605-SE0-013	Q2781	62, 68
* 51601-SR3-C01	U3456	63, 64, 65, 66, 67, 68	51605-S5D-A05	B3204	64	51605-SE0-013	U2781	62, 68
* 51601-SR3-C21	U3456	63, 64, 65, 66, 67, 68	51605-S5P-G01	B3204	64	51605-SE0-023	Q2781	63
51601-SV4-922	U3737	62	51605-S5S-G03	B3204	64	51605-SE0-023	U2781	63
51601-SV4-J12	U3737	62	51605-S5T-J03	B4020	64	51605-SE0-033	Q2781	62, 63
51601-SWA-J15	B3299	66	51605-S5T-Z04	B4020	64	51605-SE0-033	U2781	62, 63
51601-SWA-J16	B3299	66	51605-S5V-E05	B4020	64	51605-SE0-931	Q2781	62, 63, 68
51602-S03-J51	U3736	64	51605-S6A-G03	B3204	64	51605-SE0-931	U2781	62, 63, 68
51602-S03-J61	U3736	64	51605-S6A-G04	B3204	64	51605-SE0-932	Q2781	62, 63, 68
51602-S03-N01	U3736	64	51605-S6A-N03	B3204	64	51605-SE0-932	U2781	62, 63, 68
51602-S04-J51	U3736	65	51605-S6F-E05	B4020	64	51605-SE0-933	Q2781	63
51602-S04-J61	U3736	64, 65	* 51605-S80-A02	U3730	62	51605-SE0-933	U2781	63
51602-S04-N11	U3736	65	51605-S80-A04	U3730	62	51605-SE0-934	Q2781	63
51602-S10-A22	U3738	66	51605-S82-A02	U3730	62	51605-SE0-934	U2781	63
51602-S10-J03	U3738	66	51605-S82-A03	U3730	62	* 51605-SE0-935	Q2781	62, 63, 68
51602-S9A-J06	B4027	66	51605-S84-A06	U3730	62	* 51605-SE0-935	U2781	62, 63, 68

All items marked * are not shown on the contents of the catalogue. Written TOKICO No are just for your reference.

STOCK NO.

O.E.M. NO.

KIT

OEM NO.	TOKICO NO.	REF PAGE	OEM NO.	TOKICO NO.	REF PAGE	OEM NO.	TOKICO NO.	REF PAGE
51605-SE0-G01	Q2781	62	51605-SN7-E02	U3737	62	51606-SB3-961	●A2072	66
51605-SE0-G01	U2781	62	51605-SR0-003	U3456	64, 65	51606-SB3-961	●B2072	66
* 51605-SE0-G02	Q2782	62, 63, 68	51605-SR0-023	U3456	66	* 51606-SB4-930	●A2072	63, 66
* 51605-SE0-G02	U2782	62, 63, 68	51605-SR3-003	U3456	63, 65	* 51606-SB4-930	●B2072	63, 66
51605-SE0-G03	Q2781	62	51605-SR3-013	U3456	68	51606-SB7-A07	U3730	62
51605-SE0-G03	U2781	62	51605-SR3-J01	U3456	63, 65, 66	51606-SE0-003	Q2782	62, 68
* 51605-SE0-G33	Q2781	62, 63, 68	51605-SR3-J02	U3456	66, 67, 68	51606-SE0-003	U2782	62, 68
* 51605-SE0-G33	U2781	62, 63, 68	51605-SR3-J03	U3456	67, 68	51606-SE0-010	Q2782	62, 63, 68
51605-SEA-902	U3781	62, 63	* 51605-SR3-N01	U3456	63, 64, 65, 66, 67, 68	51606-SE0-010	U2782	62, 63, 68
51605-SEA-E02	U3781	62, 63	51605-SR3-N02	U3456	63, 65, 67	51606-SE0-013	Q2782	62, 68
51605-SEB-J02	U3781	62, 63	51605-SR3-N03	U3456	67	51606-SE0-013	U2782	62, 68
51605-SED-903	U3781	62, 63	51605-SR8-J01	U3456	66	51606-SE0-023	Q2782	63
51605-SED-E12	U3781	63	51605-SR8-J03	U3456	66	51606-SE0-023	U2782	63
51605-SED-J01	U3781	62, 63	51605-ST7-J02	U3456	68	51606-SE0-033	Q2782	62, 63
51605-SEE-J01	U3781	62, 63	51605-SV5-N01	U3456	68	51606-SE0-033	U2782	62, 63
51605-SEF-E03	U3781	63	51605-ST7-N02	U3456	68	51606-SE0-931	Q2782	62, 63, 68
51605-SEL-T02	B2292	63	51605-SV4-A02	U3737	62	51606-SE0-931	U2782	62, 63, 68
51605-SEN-C02	B2288	68	51605-SV4-J02	U3737	62	51606-SE0-932	Q2782	62, 63, 68
* 51605-SF1-000	Q2781	62, 63, 68	51605-SV4-N02	U3737	62	51606-SE0-932	U2782	62, 63, 68
* 51605-SF1-000	U2781	62, 63, 68	51605-SV5-A02	U3737	62	51606-SE0-933	Q2782	63
* 51605-SF1-010	Q2781	62, 63, 68	51605-SV5-N02	U3737	62	51606-SE0-933	U2782	63
* 51605-SF1-010	U2781	62, 63, 68	51605-SWA-J04	B3299	66	51606-SE0-934	Q2782	63
* 51605-SF1-014	Q2781	62, 63, 68	51605-SWA-J05	B3299	66	51606-SE0-934	U2782	63
* 51605-SF1-014	U2781	62, 63, 68	51606-S37-G00	U3737	62	* 51606-SE0-935	Q2782	62, 63, 68
* 51605-SF1-034	Q2781	62, 63, 68	51606-S5A-A07	B3205	64	* 51606-SE0-935	U2782	62, 63, 68
* 51605-SF1-034	U2781	62, 63, 68	51606-S5A-A09	B4021	64	* 51606-SE0-G01	Q2782	62, 63, 68
* 51605-SF1-923	Q2781	62, 63, 68	* 51606-S5A-G56	B4021	64	* 51606-SE0-G01	U2782	62, 63, 68
* 51605-SF1-923	U2781	62, 63, 68	51606-S5A-J54	B3205	64	51606-SE0-G02	Q2782	62
* 51605-SF1-924	Q2781	62, 63, 68	* 51606-S5A-N09	B4021	64	51606-SE0-G02	U2782	62
* 51605-SF1-924	U2781	62, 63, 68	51606-S5A-N55	B3205	64	* 51606-SE0-G03	Q2782	62, 63, 68
* 51605-SF1-925	Q2781	62, 63, 68	51606-S5A-U51	B4021	64	* 51606-SE0-G03	U2782	62, 63, 68
* 51605-SF1-925	U2781	62, 63, 68	51606-S5D-A05	B3205	64	* 51606-SE0-G33	Q2782	62, 63, 68
* 51605-SF1-926	Q2781	62, 63, 68	51606-S5P-G01	B3205	64	* 51606-SE0-G33	U2782	62, 63, 68
* 51605-SF1-926	U2781	62, 63, 68	51606-S5S-G03	B3205	64	51606-SEL-T02	B2293	63
51605-SFI-010	Q2781	68	51606-S5T-Z04	B4021	64	51606-SEN-C02	B2289	68
51605-SFI-010	U2781	68	51606-S6A-G03	B3205	64	* 51606-SF1-000	Q2782	62, 63, 68
51605-SFI-014	Q2781	68	51606-S6A-N03	B3205	64	* 51606-SF1-000	U2782	62, 63, 68
51605-SFI-014	U2781	68	51606-S80-A01	U3730	62	* 51606-SF1-010	Q2782	62, 63, 68
51605-SFI-923	Q2781	68	* 51606-S82-A01	U3730	62	* 51606-SF1-010	U2782	62, 63, 68
51605-SFI-923	U2781	68	* 51606-S87-A06	U3730	62	* 51606-SF1-014	Q2782	62, 63, 68
51605-SFI-925	Q2781	68	51606-S9A-034	B4027	66	* 51606-SF1-014	U2782	62, 63, 68
51605-SFI-925	U2781	68	51606-S9A-J22	B4029	66	* 51606-SF1-034	Q2782	62, 63, 68
51605-SH3-014	U2817	65	* 51606-SAA-004	B2291	67	* 51606-SF1-034	U2782	62, 63, 68
51605-SH3-024	U2817	65	51606-SAA-033	B2289	67	* 51606-SF1-923	Q2782	62, 63, 68
51605-SH3-040	U2817	65	51606-SAA-G02	B2289	67	* 51606-SF1-923	U2782	62, 63, 68
51605-SH3-901	U2817	67	51606-SAA-J51	B2291	67	* 51606-SF1-924	Q2782	62, 63, 68
51605-SH3-903	U2817	67	51606-SAE-T02	B2287	67	* 51606-SF1-924	U2782	62, 63, 68
51605-SH3-904	U2817	65, 67	51606-SB0-A01	U3730	62	* 51606-SF1-925	Q2782	62, 63, 68
51605-SH3-905	U2817	65, 67	51606-SB2-004	●A2072	63	* 51606-SF1-925	U2782	62, 63, 68
51605-SH3-G05	U2817	65	51606-SB2-004	●B2072	63	* 51606-SF1-926	Q2782	62, 63, 68
* 51605-SH3-G05	U2818	65, 66, 67, 68	51606-SB2-014	●A2072	63, 66	* 51606-SF1-926	U2782	62, 63, 68
* 51605-SH3-K21	U2817	65, 66, 67, 68	51606-SB2-014	●B2072	63, 66	51606-SFI-010	Q2782	68
51605-SH3-N00	U2817	67	51606-SB2-024	●A2072	63, 66	51606-SFI-010	U2782	68
51605-SH3-N03	U2817	67	51606-SB2-024	●B2072	63, 66	51606-SFI-014	Q2782	68
51605-SH3-N04	U2817	67	51606-SB2-931	●A2072	63	51606-SFI-014	U2782	68
51605-SH3-N91	U2817	67	51606-SB2-931	●B2072	63	51606-SFI-923	Q2782	68
51605-SH3-N92	U2817	65, 67	51606-SB2-932	●A2072	63	51606-SFI-923	U2782	68
* 51605-SH3-N92	U2818	65, 66, 67, 68	51606-SB2-932	●B2072	63	51606-SFI-925	Q2782	68
51605-SJ4-000	U2817	66	51606-SB2-933	●A2072	63	51606-SFI-925	U2782	68
51605-SJ4-900	U2817	66	51606-SB2-933	●B2072	63	* 51606-SH3-014	U2818	65, 66, 67, 68
51605-SK7-004	U2817	68	51606-SB2-934	●A2072	63	* 51606-SH3-024	U2818	65, 66, 67, 68
51605-SK7-A02	U2817	68	51606-SB2-934	●B2072	63	51606-SH3-040	U2818	65
51605-SK7-N02	U2817	68	51606-SB2-935	●A2072	63	51606-SH3-901	U2818	67
51605-SM1-A02	U3714	63	51606-SB2-935	●B2072	63	51606-SH3-903	U2818	67
51605-SM1-A02	U3737	62	51606-SB2-936	●A2072	63	51606-SH3-904	U2818	67
51605-SM1-A12	U3714	62	51606-SB2-936	●B2072	63	51606-SH3-905	U2818	65, 67
51605-SM4-305	U3714	62	51606-SB2-961	●A2072	63	* 51606-SH3-G05	U2818	65, 66, 67, 68
51605-SM4-305	U3737	62	51606-SB2-961	●B2072	63	* 51606-SH3-K21	U2818	65, 66, 67, 68
51605-SM4-E02	U3737	62	51606-SB2-A01	U3730	62	51606-SH3-N00	U2818	67
51605-SM4-J02	U3737	62	51606-SB3-931	●A2072	66	51606-SH3-N03	U2818	67
51605-SM5-A02	U3737	62	51606-SB3-931	●B2072	66	51606-SH3-N04	U2818	67
* 51605-SM5-A13	U3737	62	51606-SB3-932	●A2072	66	51606-SH3-N91	U2818	67
51605-SN7-E01	U3737	62	51606-SB3-932	●B2072	66	51606-SH3-N92	U2818	67

OEM NO.	TOKICO NO.	REF PAGE	OEM NO.	TOKICO NO.	REF PAGE	OEM NO.	TOKICO NO.	REF PAGE
51606-SJ4-000	U2818	66	* 52610-SB2-004	U2741	63, 65, 66	52611-S80-A04	U2934	62
51606-SJ4-900	U2818	66	* 52610-SB2-024	U2741	63, 65, 66	52611-S82-A02	U2934	62
51606-SK7-004	U2818	68	* 52610-SB2-034	U2741	63, 65, 66	52611-S84-A04	U2934	62
51606-SK7-A02	U2818	68	52610-SB2-602	U2741	63	52611-S86-K81	U2934	62
51606-SK7-N02	U2818	68	* 52610-SB2-922	U2741	63, 65, 66	52611-S87-A04	U2934	62
51606-SM1-A02	U3714	63	* 52610-SB3-014	U2741	63, 65, 66	52611-S9A-J02	U3823	66
51606-SM1-A02	U3737	62	52610-SB3-673	U2741	66	52611-S9A-N02	U3823	66
51606-SM1-A12	U3714	62	52610-SB3-674	U2741	66	52611-S9A-N03	U3823	66
51606-SM4-305	U3714	62	52610-SB6-004	U2741	65	* 52611-SAA-013	E20012	67, 68
51606-SM4-305	U3737	62	52610-SDA-A02	U3806	62	* 52611-SAA-J02	E20012	67, 68
51606-SM4-E02	U3737	62	* 52610-SE0-635	Q2783	62, 63, 68	* 52611-SAA-N01	E20012	67, 68
51606-SM4-J02	U3737	62	* 52610-SE0-635	U2783	62, 63, 68	52611-SB0-003	●A2075	68
51606-SM5-A02	U3737	62	52610-SE0-651	Q2783	68	52611-SB0-003	●B2075	68
* 51606-SM5-A13	U3737	62	52610-SE0-651	U2783	68	52611-SB0-004	●A2075	68
51606-SN7-E01	U3737	62	52610-SE0-654	Q2783	68	52611-SB0-004	●B2075	68
51606-SN7-E02	U3737	62	52610-SE0-654	U2783	68	52611-SB0-013	●A2075	68
51606-SR0-003	U3457	64, 65	52610-SE0-655	Q2783	68	52611-SB0-013	●B2075	68
* 51606-SR0-023	U3457	63, 64, 65, 66, 67, 68	52610-SE0-655	U2783	68	52611-SB0-014	●A2075	68
51606-SR3-003	U3457	63, 65	* 52610-SE0-657	Q2783	62, 63, 68	52611-SB0-014	●B2075	68
51606-SR3-013	U3457	68	* 52610-SE0-657	U2783	62, 63, 68	52611-SB0-024	●A2075	68
51606-SR3-023	U3457	66	52610-SE0-931	Q2783	62, 68	52611-SB0-024	●B2075	68
51606-SR3-J01	U3457	63, 65, 66	52610-SE0-931	U2783	62, 68	52611-SB0-951	●A2075	68
51606-SR3-J02	U3457	66, 67, 68	52610-SE0-934	Q2783	68	52611-SB0-951	●B2075	68
51606-SR3-J03	U3457	67, 68	52610-SE0-934	U2783	68	52611-SB0-952	●A2075	68
* 51606-SR3-N01	U3457	63, 64, 65, 66, 67, 68	52610-SE0-935	Q2783	68	52611-SB0-952	●B2075	68
51606-SR3-N02	U3457	63, 65, 67	52610-SE0-935	U2783	68	52611-SB0-954	●A2075	68
51606-SR3-N03	U3457	67	52610-SE0-943	Q2783	62	52611-SB0-954	●B2075	68
51606-SR8-J01	U3457	66	52610-SE0-943	U2783	62	52611-SB2-003	U2741	63
51606-SR8-J03	U3457	66	52610-SE0-945	Q2783	62, 68	52611-SB2-004	U2741	63
51606-ST7-J02	U3457	68	52610-SE0-945	U2783	62, 68	52611-SB2-013	U2741	63
51606-ST7-N01	U3457	68	* 52610-SE0-946	Q2783	62, 63, 68	52611-SB2-014	U2741	63
51606-ST7-N02	U3457	68	* 52610-SE0-946	U2783	62, 63, 68	* 52611-SB2-023	U2741	63, 65, 66
51606-SV4-A02	U3737	62	* 52610-SE0-949	Q2783	62, 63, 68	52611-SB2-024	U2741	63
51606-SV4-J02	U3737	62	* 52610-SE0-949	U2783	62, 63, 68	* 52611-SB2-034	U2741	63, 65, 66
51606-SV4-N02	U3737	62	52610-SED-E04	E20015	63	52611-SB2-602	U2741	63
51606-SV5-A02	U3737	62	52610-SEE-J03	E20015	63	52611-SB2-671	U2741	63
51606-SV5-N02	U3737	62	52610-SEE-J04	E20015	63	52611-SB2-672	U2741	63
51606-SWA-J04	B3300	66	* 52610-SEL-T01	E20012	67, 68	52611-SB2-673	U2741	63
51606-SWA-J05	B3300	66	* 52610-SEM-T01	E20012	67, 68	52611-SB2-674	U2741	63
52610-S03-J01	U2937	64	52610-SEN-C02	E20012	68	52611-SB2-675	U2741	63
52610-S04-J01	U2937	64, 65	52610-SM4-K100-012	U2896	62	52611-SB2-922	U2741	63
52610-S04-J11	U2937	65	* 52610-SR3-A11	U3458	63, 65, 67, 68	52611-SB2-923	U2741	63
52610-S04-N01	U2937	65	* 52610-SR3-A21	U3458	63, 65, 67, 68	52611-SB3-004	U2741	66
52610-S10-034	U3739	66	* 52610-SR3-A51	U3458	63, 65, 67, 68	52611-SB3-014	U2741	66
52610-S10-A11	U3739	66	* 52610-SR3-A52	U3458	63, 65, 67, 68	* 52611-SB3-024	U2741	63, 65, 66
52610-S10-A21	U3739	66	* 52610-SR3-A62	U3458	63, 65, 67, 68	52611-SB3-671	U2741	66
52610-S5A-N14	U3741	65	* 52610-SR3-C01	U3458	63, 65, 67, 68	52611-SB3-672	U2741	66
52610-S87-A01	U2934	62	* 52610-SR3-C11	U3458	63, 65, 67, 68	52611-SB3-673	U2741	66
52610-S9A-J13	U3823	66	* 52610-SR3-J01	U3458	63, 65, 67, 68	52611-SB3-674	U2741	66
52610-S9A-N03	U3823	66	* 52610-SR3-J32	U3458	63, 65, 67, 68	52611-SB3-901	U2741	66
52610-S9A-N04	U3823	66	52610-SV5-J01	U2938	62	52611-SB3-911	U2741	66
52610-S9B-J03	U3823	66	52610-SWA-E04	U3834	66	52611-SB3-921	U2741	66
52610-S9B-N02	U3823	66	52610-SWA-E05	U3834	66	52611-SB3-922	U2741	66
52610-S9B-N03	U3823	66	52610-SWA-E14	U3834	66	52611-SB3-923	U2741	66
* 52610-SAA-023	E20012	67, 68	52610-SWA-E15	U3834	66	52611-SB3-924	U2741	66
* 52610-SAA-0230	E20012	67, 68	* 52611-AH3-B01	U2847	65, 66, 67	52611-SB3-942	U2741	66
52610-SAA-E03	E20012	67	* 52611-S04-E01	U2937	64, 65	52611-SB3-963	U2741	66
52610-SAA-G02	E20012	67	* 52611-S04-G01	U2937	64, 65	52611-SB3-964	U2741	66
52610-SAA-J02	E20012	67	52611-S04-J01	U2937	64, 65	52611-SB3-965	U2741	66
* 52610-SAA-J020M1	E20012	67, 68	52611-S04-N01	U2937	65	52611-SB6-004	U2741	65
* 52610-SAA-J021M1	E20012	67, 68	52611-S04-Y02	U2921	66	52611-SB6-014	U2741	65
52610-SAA-J11	E20012	67	52611-S0A-923	U3808	62	52611-SB6-901	U2741	65
* 52610-SAA-J110M1	E20012	67, 68	52611-S0A-J02	U3808	62	52611-SB6-902	U2741	65
52610-SAA-N01	E20012	67	52611-S0A-J12	U3808	62	52611-SB6-903	U2741	65
* 52610-SAA-N010M1	E20012	67, 68	52611-S10-024	U3739	66	52611-SB6-982	U2741	65
* 52610-SAE-T03	E20013	63, 67	52611-S10-A01	U3739	66	52611-SDA-A02	U3806	62
* 52610-SAE-T031M1	E20013	63, 67	52611-S1A-E01	U3808	62	52611-SDB-A02	U3806	62
52610-SAG-C02	E20012	67	52611-S1A-G21	U3808	62	* 52611-SDE-T01	U3806	62
* 52610-SAG-C020	E20012	67, 68	* 52611-S21-W01	U2921	66	52611-SE0-003	Q2783	63
* 52610-SB0-003	●A2075	68	52611-S37-G00	U2896	62	52611-SE0-003	U2783	63
* 52610-SB0-003	●B2075	68	52611-S5A-305	U3741	64	52611-SE0-033	Q2783	63
* 52610-SB0-951	●A2075	68	52611-S5A-N06	U3741	64, 65	52611-SE0-033	U2783	63
* 52610-SB0-951	●B2075	68	52611-S80-A02	U2934	62	52611-SE0-043	Q2783	63

All items marked * are not shown on the contents of the catalogue. Written TOKICO No are just for your reference.

STOCK NO.

O.E.M. NO.

KIT

OEM NO.	TOKICO NO.	REF PAGE	OEM NO.	TOKICO NO.	REF PAGE	OEM NO.	TOKICO NO.	REF PAGE
52611-SE0-043	U2783	63	* 52611-SR3-N01	U3458	63, 65, 67, 68	54300-H1025	●Z1041	117
52611-SE0-053	Q2783	62, 63	52611-SR3-N02	U3458	67	54300-H1026	S1041	117
52611-SE0-053	U2783	62, 63	* 52611-SR3-N11	U2847	65, 66, 67	54300-H1026	●Z1041	117
52611-SE0-651	Q2783	62	52611-SR3-N12	U2847	67	* 54300-M1070	E3397	96, 100
52611-SE0-651	U2783	62	52611-ST7-003	U3458	68	54301-EN80A	B2274	110
52611-SE0-654	Q2783	62	52611-SV4-A02	U2938	62	54301-EN80B	B2274	110
52611-SE0-654	U2783	62	52611-SV4-J02	U2938	62	54301-EN81B	B2274	110
52611-SE0-655	Q2783	62	52611-SV4-N02	U2938	62	54302-01A00	A2040	118
52611-SE0-655	U2783	62	52611-SV5-A02	U2938	62	54302-01A00	●B2040	118
52611-SE0-931	Q2783	63	52611-SWA-A01	U3823	66	* 54302-01A01	A2040	113, 117, 118
52611-SE0-931	U2783	63	52611-SWA-A02	U3823	66	54302-01A25	A2040	117, 118
52611-SE0-934	Q2783	63	52611-SWA-E01	U3834	66	54302-01A25	●B2040	117, 118
52611-SE0-934	U2783	63	52611-SWA-E02	U3834	66	54302-01A26	A2040	117
52611-SE0-935	Q2783	63	52612-SB0-003	●A2076	68	54302-01A26	●B2040	117
52611-SE0-935	U2783	63	52612-SB0-003	●B2076	68	54302-01A27	A2040	117
52611-SE0-936	Q2783	63	52612-SB0-004	●A2076	68	54302-01A27	●B2040	117
52611-SE0-936	U2783	63	52612-SB0-004	●B2076	68	54302-01A28	A2040	117
52611-SE0-937	Q2783	63	52612-SB0-013	●A2076	68	54302-01A28	●B2040	117
52611-SE0-937	U2783	63	52612-SB0-013	●B2076	68	54302-01A85	A2040	117, 118
52611-SE0-938	Q2783	63	52612-SB0-014	●A2076	68	54302-01A85	●B2040	117, 118
52611-SE0-938	U2783	63	52612-SB0-014	●B2076	68	54302-01A86	A2040	117
52611-SE0-945	Q2783	63	52612-SB0-024	●A2076	68	54302-01A86	●B2040	117
52611-SE0-945	U2783	63	52612-SB0-024	●B2076	68	54302-01A87	A2040	117
52611-SE0-946	Q2783	63	52612-SB0-951	●A2076	68	54302-01A87	●B2040	117
52611-SE0-946	U2783	63	52612-SB0-951	●B2076	68	54302-01A88	A2040	117, 118
* 52611-SE0-E11	Q2783	62, 63, 68	52612-SB0-952	●A2076	68	54302-01A88	●B2040	117, 118
* 52611-SE0-E11	U2783	62, 63, 68	52612-SB0-952	●B2076	68	* 54302-01M01	●A2032	114
* 52611-SE0-G01	Q2783	62, 63, 68	52612-SB0-954	●A2076	68	* 54302-01M02	●A2032	114
* 52611-SE0-G01	U2783	62, 63, 68	52612-SB0-954	●B2076	68	* 54302-01M11	●A2032	114
* 52611-SE0-G04	Q2783	62, 63, 68	52620-S5A-N14	U3741	65	* 54302-01M12	●A2032	114
* 52611-SE0-G04	U2783	62, 63, 68	52620-S9A-J12	U3823	66	* 54302-01M13	●A2032	114
52611-SEA-E03	U3809	63	52620-S9A-N03	U3823	66	* 54302-01M15	●A2032	114
52611-SED-904	E20015	63	52620-S9A-N04	U3823	66	* 54302-01M16	●A2032	114
52611-SED-J03	E20015	63	52620-S9B-J02	U3823	66	54302-01M25	●A2032	114
52611-SEE-J03	E20015	63	52620-S9B-N02	U3823	66	54302-01M26	●A2032	114
52611-SEF-E02	U3809	63	52620-S9B-N03	U3823	66	54302-01M27	●A2032	114
* 52611-SEL-0003	E20012	67, 68	* 52620-SB0-003	●A2076	68	54302-01M28	●A2032	114
52611-SEL-T012	E20013	67	* 52620-SB0-003	●B2076	68	* 54302-01M29	●A2032	114
52611-SEL-T02	E20013	63	* 52620-SB0-951	●A2076	68	54302-01M56	●A2032	114
* 52611-SH0-A03	U2847	65, 66, 67	* 52620-SB0-951	●B2076	68	54302-01M85	●A2032	114
52611-SH3-003	U2799	65	52620-SE0-651	Q2783	68	* 54302-01M86	●A2032	114
52611-SH3-004	U2799	65, 67	52620-SE0-651	U2783	68	54302-01R25	A2040	113
* 52611-SH3-010	U2799	65, 66, 67	52620-SE0-654	Q2783	68	54302-01R25	●B2040	113
52611-SH3-020	U2799	67	52620-SE0-654	U2783	68	* 54302-01S25	S3002	104, 105, 111, 118
52611-SH3-024	U2799	67	52620-SE0-655	Q2783	68	* 54302-01S26	S3002	104, 105, 111, 118
52611-SH3-A02	U2847	67	52620-SE0-655	U2783	68	* 54302-01S28	S3002	104, 105, 111, 118
52611-SH3-A03	U2847	65, 67	* 52620-SE0-657	Q2783	62, 63, 68	* 54302-04B10	A1050	112
52611-SH3-A04	U2847	65, 67	* 52620-SE0-657	U2783	62, 63, 68	* 54302-04B11	A1050	112
* 52611-SH3-A11	U2847	65, 66, 67	* 52620-SE0-941	Q2783	62, 63, 68	* 54302-04B12	A1050	112
* 52611-SH3-B12	U2847	65, 66, 67	* 52620-SE0-941	U2783	62, 63, 68	* 54302-04B15	A1050	112
52611-SH3-G01	U2847	67	* 52620-SE0-944	Q2783	62, 63, 68	* 54302-04B16	A1050	112
* 52611-SH3-K31	U2799	65, 66, 67	* 52620-SE0-944	U2783	62, 63, 68	* 54302-04B17	A1050	112
52611-SH3-N91	U2799	67	* 52620-SE0-945	Q2783	62, 63, 68	54302-04B25	A1050	112
52611-SJ4-000	U2799	66	* 52620-SE0-945	U2783	62, 63, 68	54302-04B25	●B1050	112
52611-SJ4-900	U2799	66	* 52620-SE0-946	Q2783	62, 63, 68	54302-04B26	A1050	112
52611-SM1-A02	U2896	62	* 52620-SE0-946	U2783	62, 63, 68	54302-04B26	●B1050	112
52611-SM1-A22	U2896	62, 63	* 52620-SE0-949	Q2783	62, 63, 68	54302-04B27	A1050	112
52611-SM4-014	U2896	62	* 52620-SE0-949	U2783	62, 63, 68	54302-04B27	●B1050	112
52611-SM4-305	U2896	62	52620-SV5-J01	U2938	62	54302-04B28	A1050	112
52611-SM4-913	U2896	62	52620-SWA-A04	U3823	66	54302-04B28	●B1050	112
52611-SM4-961	U2896	62	52620-SWA-A05	U3823	66	* 54302-04B86	A1050	112
52611-SM4-J61	U2896	62	52620-SWA-A14	U3823	66	54302-04B87	A1050	112
52611-SM4-Y02	U2896	62	52620-SWA-A15	U3823	66	54302-04B87	●B1050	112
52611-SM5-A03	U2938	62	54210-P0825	3037	106	* 54302-04B88	A1050	112
* 52611-SM5-A14	U2938	62	54210-P0825	E3435	106	* 54302-04B89	A1050	112
52611-SN7-E01	U2896	62	54210-P0825	●EL3037	106	* 54302-04M15	●A2032	114
52611-SN7-E02	U2896	62	54210-P1025	3037	106	* 54302-04R10	A2040	113, 117, 118
52611-SR0-B01	U3713	64, 65	54210-P1025	E3435	106	* 54302-04R11	A2040	113, 117, 118
52611-SR0-N31	U2847	66	54210-P1025	●EL3037	106	54302-04R25	A2040	113
52611-SR3-003	U3458	63, 65, 67, 68	54300-EN80A	B2273	110	54302-04R25	●B2040	113
52611-SR3-A01	U2847	66, 67	54300-EN80B	B2273	110	* 54302-04R26	A2040	113, 117, 118
* 52611-SR3-B01	U2847	65, 66, 67	54300-EN81B	B2273	110	* 54302-05B10	A1050	112
52611-SR3-J01	U3458	63, 65	54300-H1025	S1041	117	54302-05B25	A1050	112

OEM NO.	TOKICO NO.	REF PAGE	OEM NO.	TOKICO NO.	REF PAGE	OEM NO.	TOKICO NO.	REF PAGE
54302-05B25	●B1050	112	54302-13E25	●B3039	105	* 54302-28554	S3002	104, 105, 111, 118
54302-05B26	A1050	112	* 54302-14E10	A3041	105	* 54302-28625	S3002	104, 105, 111, 118
54302-05B26	●B1050	112	54302-14E26	A3041	105	* 54302-28627	S3002	104, 105, 111, 118
* 54302-05E00	A3041	105	* 54302-14S25	S3002	104, 105, 111, 118	* 54302-28825	S3002	104, 105, 111, 118
* 54302-05E01	A3041	105	* 54302-14S26	S3002	104, 105, 111, 118	* 54302-28827	S3002	104, 105, 111, 118
54302-05E25	A3041	105	54302-15E10	A3039	105	* 54302-28853	S3002	104, 105, 111, 118
* 54302-05S25	S3002	104, 105, 111, 118	54302-15E10	●B3039	105	54302-2C100	A2279	115
* 54302-05S26	S3002	104, 105, 111, 118	* 54302-16V00	S3106	107	54302-2C105	A2279	115
54302-08R25	A2040	113	* 54302-16V10	S3106	107	54302-2C125	A2279	115
54302-08R25	●B2040	113	* 54302-16V25	S3106	107	54302-2C126	A2279	115
54302-0C025	A2210	115	* 54302-16V85	S3106	107	54302-2Y002	B3228	108
54302-0C029	A2210	115	* 54302-18V00	S3106	107	54302-2Y003	B3228	108
54302-0C070	A2210	115	54302-18V25	S3106	107	54302-2Y004	B3228	108
54302-0M314	A2216	117	54302-18V25	●Z3106	107	* 54302-2Y025	B3228	108
54302-0M3X9	A2216	117	* 54302-19V00	S3106	107	54302-2Y026	B3228	108
54302-0M425	B2212	119	54302-19V25	S3106	107	54302-2Y085	B3228	108
54302-0M426	B2212	119	54302-19V25	●Z3106	107	54302-2Y402	B3228	108
54302-0M465	B2212	119	54302-1A104	B2273	110	54302-2Y403	B3228	108
54302-0M525	B2212	119	54302-1A127	B2273	110	54302-2Y404	B3228	108
54302-0M526	B2212	119	54302-1A129	B2273	110	54302-2Y426	B3228	108
54302-0M527	B2212	119	54302-1A186	B2273	110	54302-2Y485	B3228	108
54302-0M528	B2212	119	54302-1A20A	B2263	115	54302-2Y900	B3228	108
54302-0M564	B2212	119	54302-1A20B	B2263	115	54302-2Y901	B3228	108
54302-0M574	B2212	119	54302-1A20C	B2263	115	54302-2Y902	B3228	108
54302-0M625	B2212	119	54302-1A21A	B2265	115	54302-2Y904	B3230	108
54302-0M626	B2212	119	54302-1A21C	B2265	115	54302-2Y925	B3228	108
54302-0M627	B2212	119	54302-1A31C	B2273	110	54302-2Y927	B3228	108
54302-0M664	B2212	119	54302-1C170	A2279	115	54302-2Y985	B3228	108
54302-0M665	B2212	119	54302-1C171	A2279	115	* 54302-2Y987	B3230	108
54302-0M674	B2212	119	54302-1C188	A2279	115	54302-2Y988	B3230	108
54302-0M725	B2212	117, 119	54302-1C189	A2279	115	* 54302-2Y988LB	B3230	108
54302-0M726	B2212	119	* 54302-1F525	B1093	112	* 54302-2Y989	B3230	108
54302-0M727	B2212	119	* 54302-1F527	B1093	112	* 54302-2Y9X5	B3228	108
54302-0M728	B2212	119	54302-1N310	B2235	117, 120	* 54302-2Y9X8	B3230	108
54302-0M764	B2212	119	54302-1N325	B2235	117, 120	54302-31L25	S3002	111
54302-0M774	B2212	119	54302-1N510	B2235	117, 120	54302-31L26	S3002	111
54302-0M827	B2212	119	54302-1N525	B2235	120	54302-31U12	B3102	107
54302-0M828	B2212	119	54302-1N610	B2235	117, 120	54302-31U22	B3102	107
54302-0M865	B2212	119	54302-1N615	B2235	117, 120	54302-31U25	B3102	107
54302-0M875	B2212	119	54302-1N625	B2235	117, 120	54302-31U26	B3102	107
54302-0M885	B2212	119	54302-1N626	B2235	117, 120	54302-31U27	B3102	107
54302-0M886	B2212	119	54302-21025	S3002	104	54302-31U28	B3102	107
54302-0M925	B2212	119	54302-21026	S3002	104	54302-31U33	B3102	107
54302-0M926	B2212	119	54302-21027	S3002	104	54302-31U72	B3102	107
54302-0M927	B2212	119	54302-21028	S3002	104	54302-31U74	B3102	107
54302-0M928	B2212	117, 119	* 54302-21B10	A1050	112	54302-31U85	B3102	107
54302-0M964	B2212	119	* 54302-21B11	A1050	112	54302-31U88	B3102	107
54302-0M974	B2212	119	* 54302-21B15	A1050	112	54302-35Y00	A1068	117
54302-0N300	B2212	119	* 54302-21B16	A1050	112	54302-35Y00	B1068	117
54302-0N310	B2212	119	* 54302-21B17	A1050	112	54302-35Y25	A1068	117
54302-0N325	B2212	119	* 54302-21B25	A1050	112	54302-35Y25	B1068	117
54302-0N326	B2212	119	* 54302-21B26	A1050	112	54302-3M310	B2235	117, 120
54302-0N500	B2212	119	* 54302-21B86	A1050	112	54302-3M326	B2235	117, 120
54302-0N510	B2212	119	* 54302-21B87	A1050	112	* 54302-3M410	B2235	117, 120
54302-0N525	B2212	119	* 54302-21B88	A1050	112	* 54302-3M427	B2235	117, 120
54302-0N526	B2212	119	* 54302-21B89	A1050	112	54302-3M510	B2235	117, 120
54302-0N601	B2212	119	* 54302-21R00	A2040	113, 117, 118	54302-3M525	B2235	117, 120
54302-0N611	B2212	119	* 54302-21R25	A2040	113, 117, 118	54302-3M710	B2235	117, 120
54302-0N620	B2212	119	54302-22025	S3002	104	54302-3M715	B2235	117
54302-0N627	B2212	119	54302-22026	S3002	104	54302-3M725	B2235	120
54302-0N628	B2212	119	54302-22027	S3002	104	54302-3Y000	B3228	108
54302-0N629	B2212	119	54302-22028	S3002	104	54302-3Y001	B3228	108
54302-10E00	A3039	105	54302-24E00	A3039	105	54302-3Y025	B3228	108
54302-10E00	●B3039	105	54302-24E00	●B3039	105	* 54302-3Y026	B3228	108
54302-10E25	A3039	105	* 54302-24E25	A3039	105	54302-3Y027	B3228	108
54302-10E25	●B3039	105	54302-24E26	A3037	106	* 54302-41B05	B1093	112
* 54302-10E26	A3037	106, 116	* 54302-24E60	A3037	106, 116	* 54302-41B06	B1093	112
* 54302-10V00	S3106	107	54302-26125	S3002	111	* 54302-41B07	B1093	112
* 54302-10V10	S3106	107	54302-26126	S3002	111	* 54302-41B15	B1093	112
* 54302-10V25	S3106	107	54302-26127	S3002	111	* 54302-41B16	B1093	112
* 54302-10V85	S3106	107	54302-26128	S3002	111	* 54302-41B17	B1093	112
* 54302-13E00	A3039	105	* 54302-28525	S3002	104, 105, 111, 118	* 54302-41B25	B1093	112
54302-13E25	A3039	105	* 54302-28527	S3002	104, 105, 111, 118	* 54302-41B26	B1093	112

All items marked * are not shown on the contents of the catalogue. Written TOKICO No are just for your reference.

STOCK NO.

O.E.M. NO.

KIT

OEM NO.	TOKICO NO.	REF PAGE	OEM NO.	TOKICO NO.	REF PAGE	OEM NO.	TOKICO NO.	REF PAGE
* 54302-41B27	B1093	112	* 54302-53A02	B1042	114, 117	* 54302-58Y85	A1068	114, 116, 117
* 54302-41B28	B1093	112	54302-53A25	A1042	114, 117	* 54302-58Y85	B1068	114, 116, 117
* 54302-41L00	S3092	111	54302-53A25	B1042	114, 117	54302-5C004	A2210	115
54302-41L25	S3092	111	* 54302-53A27	B1042	114, 117	* 54302-5C087	A2210	115
54302-41L25	●S3111	111	* 54302-53A28	B1042	114, 117	54302-5C507	A2277	111
54302-43U22	B3102	107	* 54302-54Y00	A1068	114, 116, 117	* 54302-5C525	A2277	111
54302-43U25	B3102	107	* 54302-54Y00	B1068	114, 116, 117	54302-5C526	A2277	111
54302-43U26	B3102	107	* 54302-54Y02	A1068	114, 116, 117	54302-5M605	B1099	120
54302-44U22	B3102	107	* 54302-54Y02	B1068	114, 116, 117	54302-5M606	B1099	120
54302-44U25	B3102	107	* 54302-54Y10	A1068	114, 116, 117	54302-5M626	B1099	120
54302-44U26	B3102	107	* 54302-54Y10	B1068	114, 116, 117	54302-5M686	B1099	120
54302-44U28	B3102	107	* 54302-54Y12	A1068	114, 116, 117	54302-60C02	A1101	114
* 54302-44U28LB	B3102	107	* 54302-54Y12	B1068	114, 116, 117	54302-60C12	A1101	114
54302-44U72	B3102	107	54302-54Y25	A1068	117	54302-60C27	A1101	114
54302-44U74	B3102	107	54302-54Y25	B1068	117	54302-60C28	A1101	114
* 54302-44UX8	B3102	107	54302-54Y26	A1068	117	54302-60R00	A1068	116
* 54302-4F105	B1093	112	54302-54Y26	B1068	117	54302-60R00	B1068	116
* 54302-4F106	B1093	112	* 54302-54Y27	A1068	114, 116, 117	54302-60R25	A1068	116
54302-4F125	B1093	112	* 54302-54Y27	B1068	114, 116, 117	54302-60R25	B1068	116
54302-4F126	B1093	112	* 54302-54Y28	A1068	114, 116, 117	54302-60Y00	A1101	114
* 54302-4H200	A1068	114, 116, 117	* 54302-54Y28	B1068	114, 116, 117	54302-60Y02	A1101	114
* 54302-4H200	B1068	114, 116, 117	* 54302-54Y29	A1068	114, 116, 117	54302-60Y10	A1101	114
* 54302-4H225	A1068	114, 116, 117	* 54302-54Y29	B1068	114, 116, 117	54302-60Y12	A1101	114
* 54302-4H225	B1068	114, 116, 117	* 54302-54Y85	A1068	114, 116, 117	54302-60Y25	A1101	114
54302-4M405	B1099	120	* 54302-54Y85	B1068	114, 116, 117	54302-60Y26	A1101	114
54302-4M406	B1099	120	* 54302-56S03	S3092	111	54302-60Y29	A1101	114
54302-4M426	B1099	120	* 54302-56S04	S3092	111	54302-60Y85	A1101	114
54302-4M486	B1099	119, 120	* 54302-56S25	S3092	111	* 54302-61L00	S3092	111
54302-50A00	A1042	117	* 54302-56S26	S3092	111	* 54302-61L02	S3092	111
54302-50A00	B1042	117	* 54302-57C00	A1068	114, 116, 117	54302-61L25	S3092	111
* 54302-50A01	A1042	114, 117	* 54302-57C00	B1068	114, 116, 117	54302-61L25	●S3111	111
* 54302-50A01	B1042	114, 117	* 54302-57C02	A1068	114, 116, 117	54302-61L26	S3092	111
* 54302-50A02	A1042	114, 117	* 54302-57C02	B1068	114, 116, 117	54302-61L26	●S3111	111
* 54302-50A02	B1042	114, 117	* 54302-57C10	A1068	114, 116, 117	54302-61L27	S3092	111
54302-50A25	A1042	114, 117	* 54302-57C10	B1068	114, 116, 117	54302-61L27	●S3111	111
54302-50A25	B1042	114, 117	* 54302-57C12	A1068	114, 116, 117	54302-61L28	S3092	111
* 54302-50A26	A1042	114, 117	* 54302-57C12	B1068	114, 116, 117	54302-61L28	●S3111	111
* 54302-50A26	B1042	114, 117	54302-57C25	A1068	114	54302-61L29	S3092	111
* 54302-50A27	A1042	114, 117	54302-57C25	B1068	114	54302-61L29	●S3111	111
* 54302-50A27	B1042	114, 117	* 54302-57C26	A1068	114, 116, 117	* 54302-62C00	A1068	114, 116, 117
* 54302-50A28	A1042	114, 117	* 54302-57C26	B1068	114, 116, 117	* 54302-62C00	B1068	114, 116, 117
* 54302-50A28	B1042	114, 117	* 54302-57C27	A1068	114, 116, 117	* 54302-62C02	A1068	114, 116, 117
* 54302-50C00	A1068	114, 116, 117	* 54302-57C27	B1068	114, 116, 117	* 54302-62C02	B1068	114, 116, 117
* 54302-50C00	B1068	114, 116, 117	* 54302-57C28	A1068	114, 116, 117	* 54302-62C10	A1068	114, 116, 117
* 54302-50C10	A1068	114, 116, 117	* 54302-57C28	B1068	114, 116, 117	* 54302-62C10	B1068	114, 116, 117
* 54302-50C10	B1068	114, 116, 117	* 54302-58A01	A1042	114, 117	* 54302-62C12	A1068	114, 116, 117
* 54302-50C25	A1068	114, 116, 117	* 54302-58A01	B1042	114, 117	* 54302-62C12	B1068	114, 116, 117
* 54302-50C25	B1068	114, 116, 117	* 54302-58A02	A1042	114, 117	* 54302-62C13	A1068	114, 116, 117
* 54302-50C26	A1068	114, 116, 117	* 54302-58A02	B1042	114, 117	* 54302-62C13	B1068	114, 116, 117
* 54302-50C26	B1068	114, 116, 117	54302-58A25	A1042	114, 117	* 54302-62C25	A1068	114, 116, 117
* 54302-51S00	S3092	111	54302-58A25	B1042	114, 117	* 54302-62C25	B1068	114, 116, 117
* 54302-51S25	S3092	111	* 54302-58A26	A1042	114, 117	54302-62C26	A1068	114
* 54302-52C00	A1068	114, 116, 117	* 54302-58A26	B1042	114, 117	54302-62C26	B1068	114
* 54302-52C00	B1068	114, 116, 117	* 54302-58A85	A1042	114, 117	* 54302-62C29	A1068	114, 116, 117
* 54302-52C02	A1068	114, 116, 117	* 54302-58A85	B1042	114, 117	* 54302-62C29	B1068	114, 116, 117
* 54302-52C02	B1068	114, 116, 117	* 54302-58A86	A1042	114, 117	* 54302-62C85	A1068	114, 116, 117
* 54302-52C03	A1068	114, 116, 117	* 54302-58A86	B1042	114, 117	* 54302-62C85	B1068	114, 116, 117
* 54302-52C03	B1068	114, 116, 117	* 54302-58Y00	A1068	114, 116, 117	* 54302-67A27	A1042	114, 117
* 54302-52C10	A1068	114, 116, 117	* 54302-58Y00	B1068	114, 116, 117	* 54302-67A27	B1042	114, 117
* 54302-52C10	B1068	114, 116, 117	* 54302-58Y02	A1068	114, 116, 117	54302-67R00	A1101	117
* 54302-52C12	A1068	114, 116, 117	* 54302-58Y02	B1068	114, 116, 117	54302-67R25	A1101	117
* 54302-52C12	B1068	114, 116, 117	* 54302-58Y10	A1068	114, 116, 117	* 54302-69C00	A1101	114, 117
* 54302-52C13	A1068	114, 116, 117	* 54302-58Y10	B1068	114, 116, 117	* 54302-69C10	A1101	114, 117
* 54302-52C13	B1068	114, 116, 117	* 54302-58Y12	A1068	114, 116, 117	* 54302-69C25	A1101	114, 117
54302-52C25	A1068	114	* 54302-58Y12	B1068	114, 116, 117	* 54302-69C26	A1101	114, 117
54302-52C25	B1068	114	54302-58Y25	A1068	117	54302-69R00	A1068	116
54302-52C26	A1068	114	54302-58Y25	B1068	117	54302-69R00	B1068	116
54302-52C26	B1068	114	54302-58Y26	A1068	117	54302-69R25	A1068	116
* 54302-52C29	A1068	114, 116, 117	54302-58Y26	B1068	117	54302-69R25	B1068	116
* 54302-52C29	B1068	114, 116, 117	* 54302-58Y28	A1068	114, 116, 117	54302-6Y200	B3230	108
* 54302-52C85	A1068	114, 116, 117	* 54302-58Y28	B1068	114, 116, 117	* 54302-6Y300	B3230	108
* 54302-52C85	B1068	114, 116, 117	* 54302-58Y29	A1068	114, 116, 117	54302-6Y325	B3230	108
* 54302-53A01	B1042	114, 117	* 54302-58Y29	B1068	114, 116, 117	* 54302-6Y3X5	B3230	108

OEM NO.	TOKICO NO.	REF PAGE	OEM NO.	TOKICO NO.	REF PAGE	OEM NO.	TOKICO NO.	REF PAGE
54302-6Y400	B3230	108	54302-D1125	S3068	116	54302-H7525	S3008	118
54302-6Y425	B3230	108	54302-D1125	●Z3068	116	54302-H7525	●Z3008	118
* 54302-70A00	B1042	114, 117	54302-D1127	S3068	116	* 54302-H8500	S1041	117, 118
* 54302-70A01	B1042	114, 117	54302-D1127	●Z3068	116	54302-H8525	S1041	117, 118
* 54302-70A16	B1042	114, 117	* 54302-D4100	A3037	106, 116	54302-H8525	●Z1041	117, 118
54302-70A25	A1042	114, 117	* 54302-D4102	A3037	106, 116	54302-H8526	S1041	118
54302-70A25	B1042	114, 117	* 54302-D4103	A3037	106, 116	54302-H8526	●Z1041	118
* 54302-70A26	B1042	114, 117	54302-D4125	A3037	116	54302-H8527	S1041	118
* 54302-70A61	B1042	114, 117	54302-D4127	A3037	116	54302-H8527	●Z1041	118
* 54302-70A85	B1042	114, 117	54302-D4128	A3037	116	54302-H8528	S1041	118
* 54302-70A86	B1042	114, 117	* 54302-D6000	A3037	106, 116	54302-H8528	●Z1041	118
* 54302-70A89	B1042	114, 117	* 54302-D6025	A3037	106, 116	54302-H8529	S1041	118
54302-71L00	A1062	111	54302-E6625	S3003	111	54302-H8529	●Z1041	118
54302-71L01	A1062	111	54302-EN000	B2273	110	* 54302-H8801	S3037	118
54302-71L02	A1062	107, 111	54302-EN001	B2273	110	* 54302-H8826	S3037	118
54302-71L12	A1062	107, 111	54302-EN002	B2273	110	54302-H9025	S3037	118
54302-71L25	A1062	107, 111	54302-EN00A	B2273	110	54302-H9025	●Z3037	118
54302-71L26	A1062	107, 111	54302-EN01B	B2273	110	54302-H9225	S3037	118
54302-71L85	A1062	107, 111	54302-EN01C	B2273	110	54302-H9225	●Z3037	118
54302-71L86	A1062	107, 111	54302-EN025	B2273	110	54302-K0525	S3003	115, 116
* 54302-72Y00	A1068	114, 116, 117	54302-EN026	B2273	110	54302-K0526	S3003	115, 116
* 54302-72Y00	B1068	114, 116, 117	54302-EN100	B2275	110	54302-K0527	S3003	104
* 54302-72Y25	A1068	114, 116, 117	54302-EN101	B2275	110	54302-K0528	S3003	104
* 54302-72Y25	B1068	114, 116, 117	54302-EN102	B2275	110	* 54302-K0552	S3003	104, 105, 111, 115, 116
* 54302-73R00	A1101	114, 117	54302-EN10A	B2275	110	* 54302-K0553	S3003	104, 105, 111, 115, 116
54302-73R25	A1101	117	54302-EN11B	B2275	110	* 54302-K0557	S3003	104, 105, 111, 115, 116
54302-75R00	A1101	117	54302-EN11C	B2275	110	* 54302-K0558	S3003	104, 105, 111, 115, 116
54302-85L00	A1062	111	54302-EN125	B2275	110	54302-K2325	S3003	115, 116
54302-85L10	A1062	111	54302-EN126	B2275	110	54302-K2326	S3003	115, 116
54302-85L25	A1062	111	54302-EQ000	B3220	121	* 54302-K2350	S3003	104, 105, 111, 115, 116
54302-85L26	A1062	111	54302-EQ025	B3220	121	* 54302-M3012	●S1046	113
54302-8H600	B3220	121	* 54302-EQ026	B3220	121	* 54302-M3025	●S1046	113
54302-8H601	B3220	121	54302-EQ100	B3220	121	* 54302-M3026	●S1046	113
54302-8H603	B3220	121	54302-EQ125	B3220	121	* 54302-M3811	●S1046	113
54302-8H625	B3220	121	54302-F5125	S3038	105, 112	* 54302-M3825	●S1046	113
54302-8H626	B3220	121	54302-F5126	S3038	105, 111, 112	* 54302-M3826	●S1046	113
54302-8H627	B3220	121	54302-F5127	S3038	111, 112	* 54302-M7002	●S1046	113
54302-8H628	B3220	121	54302-F6025	S3038	112	54302-M7025	●S1046	113
54302-8H700	B3220	121	54302-H1025	S1041	118	* 54302-M8500	●S1046	113
54302-8H725	B3220	121	54302-H1025	●Z1041	118	* 54302-M8525	●S1046	113
* 54302-90R00	A1068	114, 116, 117	54302-H1026	S1041	118	54302-N0225	●S3001	104
* 54302-90R25	A1068	114, 116, 117	54302-H1026	●Z1041	118	54302-N0226	●S3001	104
* 54302-90R25	B1068	114, 116, 117	* 54302-H1050	S1041	117, 118	* 54302-N0825	S3003	104, 105, 111, 115, 116
* 54302-A0125	S3002	104, 105, 111, 118	* 54302-H1055	S1041	117, 118	* 54302-N0826	S3003	104, 105, 111, 115, 116
54302-A0825	S3002	104	54302-H1125	S1041	118	* 54302-N0852	S3003	104, 105, 111, 115, 116
54302-A0826	S3002	104	54302-H1125	●Z1041	118	* 54302-N1225	S3003	104, 105, 111, 115, 116
54302-A1125	S3002	104	54302-H1126	S1041	118	* 54302-N1227	S3003	104, 105, 111, 115, 116
54302-A1126	S3002	104	54302-H1126	●Z1041	118	* 54302-N1228	S3003	104, 105, 111, 115, 116
54302-A1127	S3002	104	54302-H2525	S3002	118	54302-N1325	S3003	105
54302-A1128	S3002	104	54302-H2526	S3002	118	54302-N1326	S3003	105
54302-A2625	S3002	111	* 54302-H2550	S3002	104, 105, 111, 118	54302-N1327	S3003	104, 105, 115, 116
54302-A2626	S3002	111	54302-H2625	S3002	118	54302-N1328	S3003	105, 115, 116
* 54302-A2650	S3002	104, 105, 111, 118	54302-H2626	S3002	118	* 54302-N1350	S3003	104, 105, 111, 115, 116
54302-A3025	●S3001	104	* 54302-H2650	S3002	104, 105, 111, 118	54302-N2125	S3003	105
54302-A3026	●S3001	104	54302-H5025	S1041	117, 118	54302-N2126	S3003	105
54302-A3725	●S3001	104	54302-H5025	●Z1041	117, 118	54302-N2127	S3003	105
54302-A3726	●S3001	104	54302-H5026	S1041	117, 118	54302-N2128	S3003	105
54302-A3727	●S3001	104	54302-H5026	●Z1041	117, 118	* 54302-N2150	S3003	104, 105, 111, 115, 116
54302-A3728	●S3001	104	* 54302-H5050	S1041	117, 118	* 54302-N5025	S3002	104, 105, 111, 118
54302-A3729	●S3001	104	54302-H5125	S1041	118	54302-N7125	S3003	105, 115, 116
54302-A8625	S3002	104	54302-H5125	●Z1041	118	54302-N7126	S3003	105, 115, 116
54302-A8626	S3002	104	54302-H5126	S1041	118	* 54302-N7150	S3003	104, 105, 111, 115, 116
54302-A8725	S3002	111	54302-H5126	●Z1041	118	* 54302-Q0100	S3002	104, 105, 111, 118
* 54302-A8726	S3002	104, 105, 111, 118	* 54302-H5150	S1041	117, 118	54302-Q0125	S3002	111
54302-AD725	B3235	113	54302-H5925	S3008	118	54302-Q0126	S3002	111
54302-CY00B	B2263	115	54302-H5925	●Z3008	118	* 54302-Q0500	S3002	104, 105, 111, 118
54302-CY10B	B2265	115	* 54302-H5950	S3008	105, 116, 118	54302-Q0525	S3002	111
* 54302-D0100	S3068	116	54302-H7425	S1041	117, 118	54302-Q1625	S3002	111
54302-D0125	S3068	116	54302-H7425	●Z1041	117, 118	* 54302-R0125	S3002	104, 105, 111, 118
54302-D0125	●Z3068	116	54302-H7426	S1041	117, 118	* 54302-R0126	S3002	104, 105, 111, 118
54302-D0126	S3068	116	54302-H7426	●Z1041	117, 118	* 54302-R0325	S3002	104, 105, 111, 118
54302-D0126	●Z3068	116	54302-H7427	S1041	118	* 54302-R0326	S3002	104, 105, 111, 118
* 54302-D1110	S3068	116	54302-H7427	●Z1041	118	* 54302-R0327	S3002	104, 105, 111, 118

All items marked * are not shown on the contents of the catalogue. Written TOKICO No are just for your reference.

STOCK NO.
O.E.M. NO.
KIT

STOCK NO.

O.E.M. NO.

KIT

OEM NO.	TOKICO NO.	REF PAGE	OEM NO.	TOKICO NO.	REF PAGE	OEM NO.	TOKICO NO.	REF PAGE
* 54302-R0328	S3002	104, 105, 111, 118	54302-W1025	S3008	105	* 54303-04B11	A1051	112
* 54302-R0350	S3002	104, 105, 111, 118	54302-W1025	●Z3008	105	* 54303-04B12	A1051	112
* 54302-R0355	S3002	104, 105, 111, 118	54302-W1225	S3053	105	* 54303-04B15	A1051	112
* 54302-R1025	S3002	104, 105, 111, 118	54302-W1425	S3038	105, 111	* 54303-04B16	A1051	112
* 54302-R1026	S3002	104, 105, 111, 118	54302-W1426	S3038	111	* 54303-04B17	A1051	112
* 54302-R1027	S3002	104, 105, 111, 118	54302-W1625	S3053	105, 106	54303-04B25	A1051	112
* 54302-R1051	S3002	104, 105, 111, 118	54302-W1626	S3053	105, 106	54303-04B25	●B1051	112
* 54302-R3025	S3002	104, 105, 111, 118	54302-W2725	S3008	105	54303-04B26	A1051	112
* 54302-R3050	S3002	104, 105, 111, 118	54302-W2725	●Z3008	105	54303-04B26	●B1051	112
* 54302-R3225	S3002	104, 105, 111, 118	54302-W3425	S3008	105	54303-04B27	A1051	112
* 54302-R3250	S3002	104, 105, 111, 118	54302-W3425	●Z3008	105	54303-04B27	●B1051	112
* 54302-R5225	S3002	104, 105, 111, 118	54302-W3426	S3008	105	54303-04B28	A1051	112
* 54302-R5250	S3002	104, 105, 111, 118	54302-W3426	●Z3008	105	54303-04B28	●B1051	112
54302-S0125	S3002	111	54302-W3485	S3053	105, 106	* 54303-04B86	A1051	112
54302-S0126	S3002	111	54302-W3525	S3053	105	54303-04B87	A1051	112
54302-S0127	S3002	111	54302-W3526	S3053	105	54303-04B87	●B1051	112
* 54302-S0152	S3002	104, 105, 111, 118	54302-W3726	S3038	112	* 54303-04B88	A1051	112
54302-S0425	S3002	111	54302-W3825	S3008	105	* 54303-04B89	A1051	112
54302-S0525	S3002	111	54302-W3825	●Z3008	105	* 54303-04M15	●A2033	114
* 54302-S2725	S3002	104, 105, 111, 118	54302-W3826	S3008	105	* 54303-04R10	A2041	113, 117, 118
54302-S3025	S3002	111	54302-W3826	●Z3008	105	* 54303-04R11	A2041	113, 117, 118
* 54302-S4052	S3002	104, 105, 111, 118	* 54302-W5000	S3008	105, 116, 118	54303-04R25	A2041	113
54302-U0125	S3003	104, 105	54302-W5025	S3008	116	54303-04R25	●B2041	113
54302-U0126	S3003	104, 105	54302-W5025	●Z3008	116	* 54303-04R26	A2041	113, 117, 118
54302-U0525	S3003	104	54302-W5125	S3008	116	* 54303-05B10	A1051	112
54302-U0526	S3003	104	54302-W5125	●Z3008	116	54303-05B25	A1051	112
* 54302-U0550	S3003	104, 105, 111, 115, 116	54302-W7625	S3008	116	54303-05B25	●B1051	112
54302-U3525	S3003	104	54302-W7625	●Z3008	116	54303-05B26	A1051	112
54302-U5125	S3003	104, 105, 115, 116	54302-WD285	B2247	117	54303-05B26	●B1051	112
54302-U5126	S3003	115, 116	* 54302-WD286	B2247	117	* 54303-05E00	A3042	105
54302-U5127	S3003	104, 115, 116	54302-WD287	B2247	117	* 54303-05E01	A3042	105
* 54302-U5150	S3003	104, 105, 111, 115, 116	54302-WD327	B2245	117	54303-05E25	A3042	105
* 54302-U6025	S3003	104, 105, 111, 115, 116	* 54302-WD328	B2245	117	* 54303-05S25	S3002	104, 105, 111, 118
* 54302-U6050	S3003	104, 105, 111, 115, 116	54303-01A00	A2041	118	* 54303-05S26	S3002	104, 105, 111, 118
* 54302-U6725	S3003	104, 105, 111, 115, 116	54303-01A00	●B2041	118	54303-08R25	A2041	113
54302-U7025	S3003	105	* 54303-01A01	A2041	113, 117, 118	54303-08R25	●B2041	113
* 54302-U7026	S3003	104, 105, 111, 115, 116	54303-01A25	A2041	117, 118	54303-0C025	A2211	115
54302-U7027	S3003	105	54303-01A25	●B2041	117, 118	54303-0C029	A2211	115
* 54302-U7050	S3003	104, 105, 111, 115, 116	54303-01A26	A2041	117	54303-0C070	A2211	115
* 54302-U7400	S3002	104, 105, 111, 118	54303-01A26	●B2041	117	54303-0M314	A2217	117
54302-U7425	S3002	105	54303-01A27	A2041	117	54303-0M3X9	A2217	117
54302-U7427	S3002	105	54303-01A27	●B2041	117	54303-0M425	B2213	119
* 54302-U7500	S3002	104, 105, 111, 118	54303-01A28	A2041	117	54303-0M426	B2213	119
* 54302-U7510	S3002	104, 105, 111, 118	54303-01A28	●B2041	117	54303-0M465	B2213	119
54302-U7525	S3002	105	54303-01A85	A2041	117, 118	54303-0M525	B2213	119
54302-U7526	S3002	105	54303-01A85	●B2041	117, 118	54303-0M526	B2213	119
* 54302-U7700	S3002	104, 105, 111, 118	54303-01A86	A2041	117	54303-0M527	B2213	119
54302-U7725	S3002	105	54303-01A86	●B2041	117	54303-0M528	B2213	119
* 54302-U8700	S3002	104, 105, 111, 118	54303-01A87	A2041	117	54303-0M564	B2213	119
54302-U8725	S3002	105	54303-01A87	●B2041	117	54303-0M574	B2213	119
* 54302-U9526	S3003	104, 105, 111, 115, 116	54303-01A88	A2041	117, 118	54303-0M625	B2213	119
* 54302-U9550	S3003	104, 105, 111, 115, 116	54303-01A88	●B2041	117, 118	54303-0M626	B2213	119
* 54302-V5001	S3085	107	* 54303-01M01	●A2033	114	54303-0M627	B2213	119
54302-V5025	S3085	107	* 54303-01M02	●A2033	114	54303-0M664	B2213	119
54302-V5025	●Z3085	107	* 54303-01M11	●A2033	114	54303-0M665	B2213	119
54302-V5026	S3085	107	* 54303-01M12	●A2033	114	54303-0M674	B2213	119
54302-V5026	●Z3085	107	* 54303-01M13	●A2033	114	54303-0M725	B2213	117, 119
54302-V5027	S3085	107	* 54303-01M15	●A2033	114	54303-0M726	B2213	119
54302-V5027	●Z3085	107	* 54303-01M16	●A2033	114	54303-0M727	B2213	119
54302-V5028	S3085	107	54303-01M25	●A2033	114	54303-0M728	B2213	119
54302-V5028	●Z3085	107	54303-01M26	●A2033	114	54303-0M764	B2213	119
54302-V5525	S3085	107	54303-01M27	●A2033	114	54303-0M774	B2213	119
54302-V5525	●Z3085	107	54303-01M28	●A2033	114	54303-0M827	B2213	119
54302-V6225	S3085	107	* 54303-01M29	●A2033	114	54303-0M828	B2213	119
54302-V6225	●Z3085	107	54303-01M56	●A2033	114	54303-0M865	B2213	119
54302-V6625	S3085	107	54303-01M85	●A2033	114	54303-0M875	B2213	119
54302-V6625	●Z3085	107	* 54303-01M86	●A2033	114	54303-0M885	B2213	119
* 54302-V6900	S3085	107	54303-01R25	A2041	113	54303-0M886	B2213	119
54302-V6925	S3085	107	54303-01R25	●B2041	113	54303-0M925	B2213	119
54302-V6925	●Z3085	107	* 54303-01S25	S3002	104, 105, 111, 118	54303-0M926	B2213	119
54302-V7126	S3085	107	* 54303-01S26	S3002	104, 105, 111, 118	54303-0M927	B2213	119
54302-V7126	●Z3085	107	* 54303-01S28	S3002	104, 105, 111, 118	54303-0M928	B2213	117, 119
* 54302-W1000	S3008	105, 116, 118	* 54303-04B10	A1051	112	54303-0M964	B2213	119

OEM NO.	TOKICO NO.	REF PAGE	OEM NO.	TOKICO NO.	REF PAGE	OEM NO.	TOKICO NO.	REF PAGE
54303-0M974	B2213	119	54303-24E00	A3040	105	* 54303-41B16	B1094	112
54303-0N300	B2213	119	54303-24E00	●B3040	105	* 54303-41B17	B1094	112
54303-0N310	B2213	119	* 54303-24E25	A3040	105	* 54303-41B25	B1094	112
54303-0N325	B2213	119	54303-24E26	A3038	106	* 54303-41B26	B1094	112
54303-0N326	B2213	119	* 54303-24E60	A3038	106, 116	* 54303-41B27	B1094	112
54303-0N500	B2213	119	54303-26125	S3002	111	* 54303-41B28	B1094	112
54303-0N510	B2213	119	54303-26126	S3002	111	* 54303-41L00	S3092	111
54303-0N525	B2213	119	54303-26127	S3002	111	54303-41L25	S3092	111
54303-0N526	B2213	119	54303-26128	S3002	111	54303-41L25	●S3111	111
54303-0N601	B2213	119	* 54303-28525	S3002	104, 105, 111, 118	54303-43U22	B3103	107
54303-0N611	B2213	119	* 54303-28527	S3002	104, 105, 111, 118	54303-43U25	B3103	107
54303-0N620	B2213	119	* 54303-28554	S3002	104, 105, 111, 118	54303-43U26	B3103	107
54303-0N627	B2213	119	* 54303-28853	S3002	104, 105, 111, 118	54303-44U23	B3103	107
54303-0N628	B2213	119	54303-2C100	A2280	115	54303-44U25	B3103	107
54303-0N629	B2213	119	54303-2C105	A2280	115	54303-44U26	B3103	107
54303-10E00	A3040	105	54303-2C125	A2280	115	54303-44U28	B3103	107
54303-10E00	●B3040	105	54303-2C126	A2280	115	* 54303-44U28LB	B3103	107
54303-10E25	A3040	105	54303-2Y002	B3229	108	54303-44U73	B3103	107
54303-10E25	●B3040	105	54303-2Y003	B3229	108	54303-44U75	B3103	107
* 54303-10E26	A3038	106, 116	54303-2Y004	B3229	108	* 54303-44UX8	B3103	107
* 54303-10V00	S3106	107	* 54303-2Y025	B3229	108	* 54303-4F105	B1094	112
* 54303-10V10	S3106	107	54303-2Y026	B3229	108	* 54303-4F106	B1094	112
* 54303-10V25	S3106	107	54303-2Y085	B3229	108	54303-4F125	B1094	112
* 54303-10V85	S3106	107	54303-2Y402	B3229	108	54303-4F126	B1094	112
* 54303-13E00	A3040	105	54303-2Y403	B3229	108	* 54303-4H200	A1069	114, 116, 117
54303-13E25	A3040	105	54303-2Y404	B3229	108	* 54303-4H200	B1069	114, 116, 117
54303-13E25	●B3040	105	54303-2Y426	B3229	108	* 54303-4H225	A1069	114, 116, 117
* 54303-14E10	A3042	105	54303-2Y485	B3229	108	* 54303-4H225	B1069	114, 116, 117
54303-14E26	A3042	105	54303-2Y900	B3229	108	54303-4M405	B1100	120
* 54303-14S25	S3002	104, 105, 111, 118	54303-2Y901	B3229	108	54303-4M406	B1100	120
* 54303-14S26	S3002	104, 105, 111, 118	54303-2Y902	B3229	108	54303-4M426	B1100	120
54303-15E10	A3040	105	54303-2Y904	B3231	108	54303-4M486	B1100	119, 120
54303-15E10	●B3040	105	54303-2Y925	B3229	108	54303-50A00	A1043	117
* 54303-16V00	S3106	107	54303-2Y927	B3229	108	54303-50A00	B1043	117
* 54303-16V10	S3106	107	54303-2Y985	B3229	108	* 54303-50A01	A1043	114, 117
* 54303-16V25	S3106	107	* 54303-2Y987	B3231	108	* 54303-50A01	B1043	114, 117
* 54303-16V85	S3106	107	54303-2Y988	B3231	108	* 54303-50A02	A1043	114, 117
* 54303-18V00	S3106	107	* 54303-2Y988LB	B3231	108	* 54303-50A02	B1043	114, 117
54303-18V25	S3106	107	* 54303-2Y989	B3231	108	54303-50A25	A1043	114, 117
54303-18V25	●Z3106	107	* 54303-2Y9X5	B3229	108	54303-50A25	B1043	114, 117
* 54303-19V00	S3106	107	* 54303-2Y9X8	B3231	108	* 54303-50A26	A1043	114, 117
54303-19V25	S3106	107	54303-31L25	S3002	111	* 54303-50A26	B1043	114, 117
54303-19V25	●Z3106	107	54303-31L26	S3002	111	* 54303-50A27	A1043	114, 117
54303-1A104	B2274	110	54303-31U13	B3103	107	* 54303-50A27	B1043	114, 117
54303-1A127	B2274	110	54303-31U23	B3103	107	* 54303-50A28	A1043	114, 117
54303-1A129	B2274	110	54303-31U27	B3103	107	* 54303-50A28	B1043	114, 117
54303-1A186	B2274	110	54303-31U28	B3103	107	* 54303-50C00	A1069	114, 116, 117
54303-1A20A	B2264	115	54303-31U33	B3103	107	* 54303-50C00	B1069	114, 116, 117
54303-1A20B	B2264	115	54303-31U73	B3103	107	* 54303-50C10	A1069	114, 116, 117
54303-1A20C	B2264	115	54303-31U75	B3103	107	* 54303-50C10	B1069	114, 116, 117
54303-1A21A	B2266	115	54303-31U85	B3103	107	* 54303-50C25	A1069	114, 116, 117
54303-1A21C	B2266	115	54303-31U88	B3103	107	* 54303-50C25	B1069	114, 116, 117
54303-1A31C	B2274	110	54303-35Y00	A1069	117	* 54303-50C26	A1069	114, 116, 117
54303-1C170	A2280	115	54303-35Y00	B1069	117	* 54303-50C26	B1069	114, 116, 117
54303-1C171	A2280	115	54303-35Y25	A1069	117	* 54303-51S00	S3092	111
54303-1C188	A2280	115	54303-35Y25	B1069	117	* 54303-51S25	S3092	111
54303-1C189	A2280	115	54303-3M310	B2236	117, 120	* 54303-52C00	A1069	114, 116, 117
* 54303-1F525	B1094	112	54303-3M326	B2236	117, 120	* 54303-52C00	B1069	114, 116, 117
* 54303-1F527	B1094	112	* 54303-3M410	B2236	117, 120	* 54303-52C02	A1069	114, 116, 117
54303-1N310	B2236	117, 120	* 54303-3M427	B2236	117, 120	* 54303-52C02	B1069	114, 116, 117
54303-1N325	B2236	117, 120	54303-3M510	B2236	117, 120	* 54303-52C03	A1069	114, 116, 117
54303-1N510	B2236	117, 120	54303-3M525	B2236	117, 120	* 54303-52C03	B1069	114, 116, 117
54303-1N525	B2236	120	54303-3M710	B2236	117, 120	* 54303-52C10	A1069	114, 116, 117
54303-1N610	B2236	117, 120	54303-3M725	B2236	117, 120	* 54303-52C10	B1069	114, 116, 117
54303-1N615	B2236	117, 120	54303-3Y000	B3229	108	* 54303-52C12	A1069	114, 116, 117
54303-1N625	B2236	117, 120	54303-3Y001	B3229	108	* 54303-52C12	B1069	114, 116, 117
54303-1N626	B2236	117, 120	54303-3Y025	B3229	108	* 54303-52C13	A1069	114, 116, 117
* 54303-21R00	A2041	113, 117, 118	* 54303-3Y026	B3229	108	* 54303-52C13	B1069	114, 116, 117
* 54303-21R25	A2041	113, 117, 118	54303-3Y027	B3229	108	54303-52C25	A1069	114
54303-22025	S3002	104	* 54303-41B05	B1094	112	54303-52C25	B1069	114
54303-22026	S3002	104	* 54303-41B06	B1094	112	54303-52C26	A1069	114
54303-22027	S3002	104	* 54303-41B07	B1094	112	54303-52C26	B1069	114
54303-22028	S3002	104	* 54303-41B15	B1094	112	* 54303-52C29	A1069	114, 116, 117

All items marked * are not shown on the contents of the catalogue. Written TOKICO No are just for your reference.

STOCK NO.

O.E.M. NO.

KIT

OEM NO.	TOKICO NO.	REF PAGE	OEM NO.	TOKICO NO.	REF PAGE	OEM NO.	TOKICO NO.	REF PAGE
* 54303-52C29	B1069	114, 116, 117	* 54303-58Y28	A1069	114, 116, 117	54303-6Y200	B3231	108
* 54303-52C85	A1069	114, 116, 117	* 54303-58Y28	B1069	114, 116, 117	* 54303-6Y300	B3231	108
* 54303-52C85	B1069	114, 116, 117	* 54303-58Y29	A1069	114, 116, 117	54303-6Y325	B3231	108
* 54303-53A01	B1043	114, 117	* 54303-58Y29	B1069	114, 116, 117	* 54303-6Y3X5	B3231	108
* 54303-53A02	B1043	114, 117	* 54303-58Y85	A1069	114, 116, 117	54303-6Y400	B3231	108
54303-53A25	A1043	114, 117	* 54303-58Y85	B1069	114, 116, 117	54303-6Y425	B3231	108
54303-53A25	B1043	114, 117	54303-5C004	A2211	115	* 54303-70A00	B1043	114, 117
* 54303-53A27	B1043	114, 117	* 54303-5C087	A2211	115	* 54303-70A01	B1043	114, 117
* 54303-53A28	B1043	114, 117	54303-5C507	A2278	111	* 54303-70A16	B1043	114, 117
* 54303-54Y00	A1069	114, 116, 117	* 54303-5C525	A2278	111	54303-70A25	A1043	114, 117
* 54303-54Y00	B1069	114, 116, 117	54303-5C526	A2278	111	54303-70A25	B1043	114, 117
* 54303-54Y02	A1069	114, 116, 117	54303-5M605	B1100	120	* 54303-70A26	B1043	114, 117
* 54303-54Y02	B1069	114, 116, 117	54303-5M606	B1100	120	* 54303-70A61	B1043	114, 117
* 54303-54Y10	A1069	114, 116, 117	54303-5M626	B1100	120	* 54303-70A85	B1043	114, 117
* 54303-54Y10	B1069	114, 116, 117	54303-5M686	B1100	120	* 54303-70A86	B1043	114, 117
* 54303-54Y12	A1069	114, 116, 117	54303-60C02	A1102	114	* 54303-70A89	B1043	114, 117
* 54303-54Y12	B1069	114, 116, 117	54303-60C12	A1102	114	54303-71L00	A1063	111
54303-54Y25	A1069	117	54303-60C27	A1102	114	54303-71L01	A1063	111
54303-54Y25	B1069	117	54303-60C28	A1102	114	54303-71L02	A1063	107, 111
54303-54Y26	A1069	117	54303-60R00	A1069	116	54303-71L12	A1063	107, 111
54303-54Y26	B1069	117	54303-60R00	B1069	116	54303-71L25	A1063	107, 111
* 54303-54Y27	A1069	114, 116, 117	54303-60R25	A1069	116	54303-71L26	A1063	107, 111
* 54303-54Y27	B1069	114, 116, 117	54303-60R25	B1069	116	54303-71L85	A1063	107, 111
* 54303-54Y28	A1069	114, 116, 117	54303-60Y00	A1102	114	54303-71L86	A1063	107, 111
* 54303-54Y28	B1069	114, 116, 117	54303-60Y02	A1102	114	* 54303-72Y00	A1069	114, 116, 117
* 54303-54Y29	A1069	114, 116, 117	54303-60Y10	A1102	114	* 54303-72Y00	B1069	114, 116, 117
* 54303-54Y29	B1069	114, 116, 117	54303-60Y12	A1102	114	* 54303-72Y25	A1069	114, 116, 117
* 54303-54Y85	A1069	114, 116, 117	54303-60Y25	A1102	114	* 54303-72Y25	B1069	114, 116, 117
* 54303-54Y85	B1069	114, 116, 117	54303-60Y26	A1102	114	54303-73R00	A1102	117
* 54303-56S03	S3092	111	54303-60Y29	A1102	114	54303-73R25	A1102	117
* 54303-56S04	S3092	111	54303-60Y85	A1102	114	54303-85L00	A1063	111
* 54303-56S25	S3092	111	* 54303-61L00	S3092	111	54303-85L10	A1063	111
* 54303-56S26	S3092	111	* 54303-61L02	S3092	111	54303-85L25	A1063	111
* 54303-57C00	A1069	114, 116, 117	54303-61L25	S3092	111	54303-85L26	A1063	111
* 54303-57C00	B1069	114, 116, 117	54303-61L25	●S3111	111	54303-8H600	B3221	121
* 54303-57C02	A1069	114, 116, 117	54303-61L26	S3092	111	54303-8H601	B3221	121
* 54303-57C02	B1069	114, 116, 117	54303-61L26	●S3111	111	54303-8H603	B3221	121
* 54303-57C10	A1069	114, 116, 117	54303-61L27	S3092	111	54303-8H625	B3221	121
* 54303-57C10	B1069	114, 116, 117	54303-61L27	●S3111	111	54303-8H626	B3221	121
* 54303-57C12	A1069	114, 116, 117	54303-61L28	S3092	111	54303-8H627	B3221	121
* 54303-57C12	B1069	114, 116, 117	54303-61L28	●S3111	111	54303-8H628	B3221	121
54303-57C25	A1069	114	54303-61L29	S3092	111	54303-8H700	B3221	121
54303-57C25	B1069	114	54303-61L29	●S3111	111	54303-8H725	B3221	121
* 54303-57C26	A1069	114, 116, 117	* 54303-62C00	A1069	114, 116, 117	* 54303-90R00	A1069	114, 116, 117
* 54303-57C26	B1069	114, 116, 117	* 54303-62C00	B1069	114, 116, 117	* 54303-90R00	B1069	114, 116, 117
* 54303-57C27	A1069	114, 116, 117	* 54303-62C02	A1069	114, 116, 117	* 54303-90R25	A1069	114, 116, 117
* 54303-57C27	B1069	114, 116, 117	* 54303-62C02	B1069	114, 116, 117	* 54303-90R25	B1069	114, 116, 117
* 54303-57C28	A1069	114, 116, 117	* 54303-62C10	A1069	114, 116, 117	* 54303-A0125	S3002	104, 105, 111, 118
* 54303-57C28	B1069	114, 116, 117	* 54303-62C10	B1069	114, 116, 117	54303-A1125	S3002	104
* 54303-58A01	A1043	114, 117	* 54303-62C12	A1069	114, 116, 117	54303-A1126	S3002	104
* 54303-58A01	B1043	114, 117	* 54303-62C12	B1069	114, 116, 117	54303-A1127	S3002	104
* 54303-58A02	A1043	114, 117	* 54303-62C13	A1069	114, 116, 117	54303-A1128	S3002	104
* 54303-58A02	B1043	114, 117	* 54303-62C13	B1069	114, 116, 117	54303-A2625	S3002	111
54303-58A25	A1043	114, 117	* 54303-62C25	A1069	114, 116, 117	54303-A2626	S3002	111
54303-58A25	B1043	114, 117	* 54303-62C25	B1069	114, 116, 117	* 54303-A2650	S3002	104, 105, 111, 118
* 54303-58A26	A1043	114, 117	54303-62C26	A1069	114	54303-A3025	●S3001	104
* 54303-58A26	B1043	114, 117	54303-62C26	B1069	114	54303-A3026	●S3001	104
* 54303-58A85	A1043	114, 117	* 54303-62C29	A1069	114, 116, 117	* 54303-A8725	S3002	104, 105, 111, 118
* 54303-58A85	B1043	114, 117	* 54303-62C29	B1069	114, 116, 117	* 54303-A8726	S3002	104, 105, 111, 118
* 54303-58A86	A1043	114, 117	* 54303-62C85	A1069	114, 116, 117	54303-AD725	B3236	113
* 54303-58A86	B1043	114, 117	* 54303-62C85	B1069	114, 116, 117	54303-CY00B	B2264	115
* 54303-58Y00	A1069	114, 116, 117	* 54303-67A27	A1043	114, 117	54303-CY10B	B2266	115
* 54303-58Y00	B1069	114, 116, 117	* 54303-67A27	B1043	114, 117	* 54303-D0100	S3068	116
* 54303-58Y02	A1069	114, 116, 117	54303-67R00	A1102	117	54303-D0125	S3068	116
* 54303-58Y02	B1069	114, 116, 117	54303-67R25	A1102	117	54303-D0125	●Z3068	116
* 54303-58Y10	A1069	114, 116, 117	* 54303-69C00	A1102	114, 117	54303-D0126	S3068	116
* 54303-58Y10	B1069	114, 116, 117	* 54303-69C10	A1102	114, 117	54303-D0126	●Z3068	116
* 54303-58Y12	A1069	114, 116, 117	* 54303-69C25	A1102	114, 117	* 54303-D1110	S3068	116
* 54303-58Y12	B1069	114, 116, 117	* 54303-69C26	A1102	114, 117	54303-D1125	S3068	116
54303-58Y25	A1069	117	54303-69R00	A1069	116	54303-D1125	●Z3068	116
54303-58Y25	B1069	117	54303-69R00	B1069	116	54303-D1127	S3068	116
54303-58Y26	A1069	117	54303-69R25	A1069	116	54303-D1127	●Z3068	116
54303-58Y26	B1069	117	54303-69R25	B1069	116	* 54303-D4100	A3038	106, 116

OEM NO.	TOKICO NO.	REF PAGE	OEM NO.	TOKICO NO.	REF PAGE	OEM NO.	TOKICO NO.	REF PAGE
* 54303-D4102	A3038	106, 116	* 54303-K0553	S3003	104, 105, 111, 115, 116	54303-V5025	S3085	107
* 54303-D4103	A3038	106, 116	* 54303-K0557	S3003	104, 105, 111, 115, 116	54303-V5025	●Z3085	107
54303-D4125	A3038	116	* 54303-K0558	S3003	104, 105, 111, 115, 116	54303-V5026	S3085	107
54303-D4127	A3038	116	54303-K2325	S3003	115, 116	54303-V5026	●Z3085	107
54303-D4128	A3038	116	54303-K2326	S3003	115, 116	54303-V5027	S3085	107
* 54303-D6000	A3038	106, 116	* 54303-K2350	S3003	104, 105, 111, 115, 116	54303-V5027	●Z3085	107
* 54303-D6025	A3038	106, 116	* 54303-M3012	●S1046	113	54303-V5028	S3085	107
54303-E6625	S3003	111	* 54303-M3025	●S1046	113	54303-V5028	●Z3085	107
54303-EN000	B2274	110	* 54303-M3026	●S1046	113	54303-V5525	S3085	107
54303-EN001	B2274	110	* 54303-M3811	●S1046	113	54303-V5525	●Z3085	107
54303-EN002	B2274	110	* 54303-M3825	●S1046	113	54303-V6225	S3085	107
54303-EN00A	B2274	110	* 54303-M3826	●S1046	113	54303-V6225	●Z3085	107
54303-EN01B	B2274	110	* 54303-M7002	●S1046	113	54303-V6625	S3085	107
54303-EN01C	B2274	110	54303-M7025	●S1046	113	54303-V6625	●Z3085	107
54303-EN025	B2274	110	* 54303-M8500	●S1046	113	* 54303-V6900	S3085	107
54303-EN026	B2274	110	* 54303-M8525	●S1046	113	54303-V6925	S3085	107
54303-EN100	B2276	110	54303-N0225	●S3001	104	54303-V6925	●Z3085	107
54303-EN101	B2276	110	54303-N0226	●S3001	104	54303-V7126	S3085	107
54303-EN102	B2276	110	* 54303-N0550	S3003	104, 105, 111, 115, 116	54303-V7126	●Z3085	107
54303-EN10A	B2276	110	* 54303-N0825	S3003	104, 105, 111, 115, 116	* 54303-W1000	S3008	105, 116, 118
54303-EN11B	B2276	110	* 54303-N0826	S3003	104, 105, 111, 115, 116	54303-W1025	S3008	105
54303-EN11C	B2276	110	* 54303-N0852	S3003	104, 105, 111, 115, 116	54303-W1025	●Z3008	105
54303-EN125	B2276	110	54303-N1325	S3003	105	54303-W1225	S3053	105
54303-EN126	B2276	110	54303-N1327	S3003	116	54303-W1425	S3038	105, 111
54303-EQ000	B3221	121	54303-N1328	S3003	116	54303-W1426	S3038	111
54303-EQ025	B3221	121	* 54303-N1350	S3003	104, 105, 111, 115, 116	54303-W1625	S3053	105, 106
* 54303-EQ026	B3221	121	* 54303-N5025	S3002	104, 105, 111, 118	54303-W1626	S3053	105, 106
54303-EQ100	B3221	121	54303-N7125	S3003	105	54303-W2725	S3008	105
54303-EQ125	B3221	121	54303-N7126	S3003	105	54303-W2725	●Z3008	105
54303-F5125	S3038	105, 112	* 54303-Q0100	S3002	104, 105, 111, 118	54303-W2725	S3008	105
54303-F5126	S3038	105, 111, 112	54303-Q0125	S3002	111	54303-W3425	●Z3008	105
54303-F5127	S3038	111, 112	54303-Q0126	S3002	111	54303-W3426	S3008	105
54303-F6025	S3038	112	* 54303-Q0500	S3002	104, 105, 111, 118	54303-W3426	●Z3008	105
* 54303-H1055	S1041	117, 118	54303-Q0525	S3002	111	54303-W3485	S3053	105, 106
54303-H1125	S1041	118	54303-Q1625	S3002	111	54303-W3525	S3053	105
54303-H1125	●Z1041	118	* 54303-R0125	S3002	104, 105, 111, 118	54303-W3526	S3053	105
54303-H1126	S1041	118	* 54303-R0126	S3002	104, 105, 111, 118	54303-W3726	S3038	112
54303-H1126	●Z1041	118	* 54303-R0355	S3002	104, 105, 111, 118	54303-W3825	S3008	105
* 54303-H2525	S3002	104, 105, 111, 118	* 54303-R1025	S3002	104, 105, 111, 118	54303-W3825	●Z3008	105
* 54303-H2526	S3002	104, 105, 111, 118	* 54303-R1026	S3002	104, 105, 111, 118	54303-W3826	S3008	105
54303-H2625	S3002	118	* 54303-R1027	S3002	104, 105, 111, 118	54303-W3826	●Z3008	105
54303-H2626	S3002	118	* 54303-R1051	S3002	104, 105, 111, 118	* 54303-W5000	S3008	105, 116, 118
* 54303-H2650	S3002	104, 105, 111, 118	* 54303-R3025	S3002	104, 105, 111, 118	54303-W5025	S3008	116
54303-H5125	S1041	118	* 54303-R3050	S3002	104, 105, 111, 118	54303-W5025	●Z3008	116
54303-H5125	●Z1041	118	* 54303-R5225	S3002	104, 105, 111, 118	54303-W5125	S3008	116
54303-H5126	S1041	118	* 54303-R5250	S3002	104, 105, 111, 118	54303-W5125	●Z3008	116
54303-H5126	●Z1041	118	54303-S0125	S3002	111	54303-W7625	S3008	116
* 54303-H5150	S1041	117, 118	54303-S0126	S3002	111	54303-W7625	●Z3008	116
54303-H5925	S3008	118	54303-S0127	S3002	111	54303-WD285	B2248	117
54303-H5925	●Z3008	118	* 54303-S0152	S3002	104, 105, 111, 118	* 54303-WD286	B2248	117
* 54303-H5950	S3008	105, 116, 118	54303-S0425	S3002	111	54303-WD287	B2248	117
54303-H7425	S1041	118	* 54303-S0525	S3002	104, 105, 111, 118	54303-WD327	B2246	117
54303-H7425	●Z1041	118	* 54303-S2725	S3002	104, 105, 111, 118	* 54303-WD328	B2246	117
54303-H7426	S1041	118	54303-S3025	S3002	111	* 54650-28000	A3192	96, 99
54303-H7426	●Z1041	118	* 54303-S4052	S3002	104, 105, 111, 118	* 54650-28000	B3192	96, 99
54303-H7525	S3008	118	54303-U0525	S3003	104	5-51630-001-0	3169	71, 73
54303-H7525	●Z3008	118	54303-U0526	S3003	104	5-51630-001-0	●EL3169	71, 73
* 54303-H8500	S1041	117, 118	54303-U3525	S3003	104	5-51630-002-0	3391	70
* 54303-H8525	S1041	117, 118	54303-U5125	S3003	104, 105, 115, 116	5-51630-002-1	3391	70
* 54303-H8526	S1041	117, 118	54303-U5126	S3003	115, 116	* 5-51630-003-0	2092	
54303-H8527	S1041	118	54303-U5127	S3003	104, 115, 116	5-51630-018-2	2186	72
54303-H8527	●Z1041	118	54303-U7025	S3003	105	5-51630-018-2	E2186	72
54303-H8529	S1041	118	* 54303-U7400	S3002	104, 105, 111, 118	5-51630-019-1	2186	72
54303-H8529	●Z1041	118	54303-U7425	S3002	105	5-51630-019-1	E2186	72
54303-H9025	S3037	118	* 54303-U7500	S3002	104, 105, 111, 118	* 5-51630-022-0	2092	
54303-H9025	●Z3037	118	* 54303-U7510	S3002	104, 105, 111, 118	5-51630-024-1	3391	70
54303-H9225	S3037	118	54303-U7525	S3002	105	* 5-51630-036-0	2092	
54303-H9225	●Z3037	118	54303-U7526	S3002	105	5-51630-041-0	3178	73
54303-K0525	S3003	115, 116	* 54303-U7700	S3002	104, 105, 111, 118	5-51630-046-1	2186	72
54303-K0526	S3003	115, 116	54303-U7725	S3002	105	5-51630-046-1	E2186	72
54303-K0527	S3003	104	* 54303-U8700	S3002	104, 105, 111, 118	5-51630-047-1	2186	72
54303-K0528	S3003	104	54303-U8725	S3002	105	5-51630-047-1	E2186	72
* 54303-K0552	S3003	104, 105, 111, 115, 116	* 54303-V5001	S3085	107	5-51630-048-0	3391	70

All items marked * are not shown on the contents of the catalogue. Written TOKICO No are just for your reference.

STOCK NO.

O.E.M. NO.

KIT

OEM NO.	TOKICO NO.	REF PAGE	OEM NO.	TOKICO NO.	REF PAGE	OEM NO.	TOKICO NO.	REF PAGE
5-51630-048-1	3391	71	55302-54Y25	B1066	117	55302-60C10	●B3064	114
5-51630-052-0	3068	71	* 55302-54Y26	A1066	117	55302-60C20	A3064	114
5-51630-052-0	E3344	71	* 55302-54Y26	B1066	117	55302-60C20	●B3064	114
5-51630-052-0	●EL3344	71	* 55302-54Y27	A1066	117	55302-60C24	A3064	114
* 5-51630-060-0	3169	70, 71, 73	* 55302-54Y27	B1066	117	55302-60C24	●B3064	114
5-51630-062-0	3165	70, 71	* 55302-56C00	A3064	114	55302-60C26	A3064	114
5-51630-062-0	3391	70	* 55302-56C26	A3064	114	55302-60C26	●B3064	114
5-51630-062-0	●EL3165	70, 71	* 55302-56Y00	A1066	117	55302-60C27	A3064	114
55302-01E25	S1103	105	* 55302-56Y00	B1066	117	55302-60C27	●B3064	114
55302-01E27	S1103	105	* 55302-56Y20	A1066	117	55302-60C28	A3064	114
* 55302-10E05	S1089	105	* 55302-56Y20	B1066	117	55302-60C28	●B3064	114
* 55302-10E15	S1089	105	55302-56Y25	A1066	117	55302-60Y00	A3064	114
55302-10E25	S1089	105	55302-56Y25	B1066	117	55302-60Y00	●B3064	114
55302-10E25	●Z1089	105	* 55302-56Y26	A1066	117	55302-60Y05	A3064	114
55302-10E26	S1089	105	* 55302-56Y26	B1066	117	55302-60Y05	●B3064	114
55302-10E26	●Z1089	105	* 55302-56Y27	A1066	117	55302-60Y10	A3064	114
55302-10E28	S1089	105	* 55302-56Y27	B1066	117	55302-60Y10	●B3064	114
55302-10E28	●Z1089	105	* 55302-57C00	A3064	114	55302-60Y15	A3064	114
55302-10E29	S1089	105	* 55302-57C25	A3064	114	55302-60Y15	●B3064	114
55302-10E29	●Z1089	105	* 55302-57C26	A3064	114	55302-60Y20	A3064	114
* 55302-10E86	S1089	105	* 55302-57Y00	A1066	117	55302-60Y20	●B3064	114
* 55302-11E25	S1089	105	* 55302-57Y00	B1066	117	55302-60Y24	A3064	114
* 55302-11E27	S1089	105	* 55302-57Y20	A1066	117	55302-60Y24	●B3064	114
* 55302-3F001	B3173	113	* 55302-57Y20	B1066	117	55302-60Y25	A3064	114
* 55302-3F025	B3173	113	* 55302-57Y25	A1066	117	55302-60Y25	●B3064	114
* 55302-50A00	A1040	114, 117	* 55302-57Y25	B1066	117	55302-60Y26	A3064	114
* 55302-50A00	B1040	114, 117	* 55302-57Y26	A1066	117	55302-60Y26	●B3064	114
* 55302-50A01	A1040	114, 117	* 55302-57Y26	B1066	117	55302-60Y27	A3064	114
* 55302-50A01	B1040	114, 117	* 55302-57Y27	A1066	117	55302-60Y27	●B3064	114
* 55302-50A10	B1040	114, 117	* 55302-57Y27	B1066	117	55302-60Y28	A3064	114
55302-50A25	A1040	114, 117	* 55302-58A00	A1040	114, 117	55302-60Y28	●B3064	114
55302-50A25	B1040	114, 117	* 55302-58A00	B1040	114, 117	* 55302-62C00	A3064	114
55302-50A26	A1040	114, 117	* 55302-58A01	A1040	114, 117	* 55302-62C25	A3064	114
55302-50A26	B1040	114, 117	55302-58A01	B1040	114, 117	55302-62C26	A3064	114
* 55302-50A27	A1040	114, 117	55302-58A25	A1040	114, 117	55302-62C26	●B3064	114
* 55302-50A27	B1040	114, 117	55302-58A25	B1040	114, 117	55302-62Y00	A3064	114
* 55302-50A28	A1040	114, 117	55302-58A26	A1040	114, 117	55302-62Y00	●B3064	114
* 55302-50A28	B1040	114, 117	55302-58A26	B1040	114, 117	55302-62Y20	A3064	114
* 55302-50A85	B1040	114, 117	55302-58A27	A1040	114, 117	55302-62Y20	●B3064	114
* 55302-51Y00	A1066	117	* 55302-58A27	B1040	114, 117	55302-62Y26	A3064	114
* 55302-51Y00	B1066	117	* 55302-58A28	A1040	114, 117	55302-62Y26	●B3064	114
* 55302-51Y20	A1066	117	* 55302-58A28	B1040	114, 117	55302-69Y00	A1066	117
* 55302-51Y20	B1066	117	* 55302-58C00	A3064	114	55302-69Y00	B1066	117
* 55302-51Y25	A1066	117	* 55302-58C00	B1066	117	* 55302-70A00	B1040	114, 117
* 55302-51Y25	B1066	117	* 55302-58C20	A3064	114	* 55302-70A10	B1040	114, 117
* 55302-51Y26	A1066	117	* 55302-58C20	B1066	117	* 55302-70A15	B1040	114, 117
* 55302-51Y26	B1066	117	55302-58C25	A3064	114	55302-70A25	A1040	114, 117
* 55302-51Y27	A1066	117	55302-58C25	●B3064	114	55302-70A25	B1040	114, 117
* 55302-51Y27	B1066	117	* 55302-58C26	A3064	114	55302-70A26	A1040	114, 117
* 55302-52Y00	A1066	117	* 55302-58C26	B1066	117	55302-70A26	B1040	114, 117
* 55302-52Y00	B1066	117	* 55302-58C27	A3064	114	* 55302-70A85	B1040	114, 117
* 55302-53A00	B1040	114, 117	* 55302-58C27	B1066	117	* 55302-71J00	B3173	113
* 55302-53A01	B1040	114, 117	* 55302-58J00	B3173	113	* 55302-71J25	B3173	113
55302-53A25	A1040	114, 117	* 55302-58J01	B3173	113	* 55302-72J00	B3173	113
55302-53A25	B1040	114, 117	* 55302-58J25	B3173	113	* 55302-72J26	B3173	113
* 55302-53A26	B1040	114, 117	55302-58J26	B3173	113	55302-72Y25	A1066	117
* 55302-53J00	B3173	113	* 55302-58Y00	A1066	117	55302-72Y25	B1066	117
55302-53J25	B3173	113	* 55302-58Y00	B1066	117	* 55302-78J05	B3173	113
* 55302-53Y00	A1066	117	* 55302-58Y20	A1066	117	* 55302-78J26	B3173	113
* 55302-53Y00	B1066	117	* 55302-58Y20	B1066	117	* 55302-87J10	B3173	113
* 55302-53Y20	A1066	117	55302-58Y25	A1066	117	* 55302-87J11	B3173	113
* 55302-53Y20	B1066	117	55302-58Y25	B1066	117	* 55302-87J26	B3173	113
* 55302-53Y25	A1066	117	* 55302-58Y26	A1066	117	* 55302-89A26	A1040	114, 117
* 55302-53Y25	B1066	117	* 55302-58Y26	B1066	117	* 55302-89A26	B1040	114, 117
* 55302-53Y26	A1066	117	* 55302-58Y27	A1066	117	55302-8H304	B3222	121
* 55302-53Y26	B1066	117	* 55302-58Y27	B1066	117	55302-8H326	B3222	121
* 55302-53Y27	A1066	117	* 55302-59C00	A3064	114	55302-8H327	B3222	121
* 55302-53Y27	B1066	117	55302-59C25	A3064	114	55302-8H600	B3222	121
* 55302-54Y00	A1066	117	55302-59C25	●B3064	114	55302-8H601	B3222	121
* 55302-54Y00	B1066	117	* 55302-59C26	A3064	114	55302-8H604	B3222	121
* 55302-54Y20	A1066	117	55302-60C00	A3064	114	* 55302-8H625	B3222	121
* 55302-54Y20	B1066	117	55302-60C00	●B3064	114	55302-8H628	B3222	121
55302-54Y25	A1066	117	55302-60C10	A3064	114	55302-8H629	B3222	121

OEM NO.	TOKICO NO.	REF PAGE	OEM NO.	TOKICO NO.	REF PAGE	OEM NO.	TOKICO NO.	REF PAGE
* 55302-D0101	S3069	116	* 55303-53Y20	B1067	117	55303-58Y25	B1067	117
* 55302-D0125	S3069	116	* 55303-53Y25	A1067	117	* 55303-58Y26	A1067	117
* 55302-D0301	S3069	116	* 55303-53Y25	B1067	117	* 55303-58Y26	B1067	117
55302-D0325	S3069	116	* 55303-53Y26	A1067	117	* 55303-58Y27	A1067	117
55302-D0325	●Z3069	116	* 55303-53Y26	B1067	117	* 55303-58Y27	B1067	117
* 55302-D1101	S3069	116	* 55303-53Y27	A1067	117	* 55303-59C00	A3065	114
* 55302-D4010	●Z1104	116	* 55303-53Y27	B1067	117	55303-59C25	A3065	114
* 55302-D4018	●Z1104	116	* 55303-54Y00	A1067	117	55303-59C25	●B3065	114
55302-D4026	S1098	116	* 55303-54Y00	B1067	117	* 55303-59C26	A3065	114
55302-D4027	●Z1104	116	* 55303-54Y20	A1067	117	55303-60C00	A3065	114
* 55302-D4092	●Z1104	116	* 55303-54Y20	B1067	117	55303-60C00	●B3065	114
* 55302-D4100	●Z1104	116	55303-54Y25	A1067	117	55303-60C10	A3065	114
* 55302-D4110	●Z1104	116	55303-54Y25	B1067	117	55303-60C10	●B3065	114
55302-D4125	●Z1104	116	* 55303-54Y26	A1067	117	55303-60C20	A3065	114
55302-D4126	●Z1104	116	* 55303-54Y26	B1067	117	55303-60C20	●B3065	114
55302-EQ000	B3222	121	* 55303-54Y27	A1067	117	55303-60C24	A3065	114
55302-EQ025	B3222	121	* 55303-54Y27	B1067	117	55303-60C24	●B3065	114
55302-EQ026	B3222	121	* 55303-56C00	A3065	114	55303-60C26	A3065	114
55302-EQ100	B3222	121	* 55303-56C26	A3065	114	55303-60C26	●B3065	114
55302-EQ125	B3222	121	* 55303-56Y00	A1067	117	55303-60C27	A3065	114
55303-01E25	S1103	105	* 55303-56Y00	B1067	117	55303-60C27	●B3065	114
55303-01E27	S1103	105	* 55303-56Y20	A1067	117	55303-60C28	A3065	114
* 55303-10E05	S1089	105	* 55303-56Y20	B1067	117	55303-60C28	●B3065	114
* 55303-10E15	S1089	105	55303-56Y25	A1067	117	55303-60Y00	A3065	114
55303-10E25	S1089	105	55303-56Y25	B1067	117	55303-60Y00	●B3065	114
55303-10E25	●Z1089	105	* 55303-56Y26	A1067	117	55303-60Y05	A3065	114
55303-10E26	S1089	105	* 55303-56Y26	B1067	117	55303-60Y05	●B3065	114
55303-10E26	●Z1089	105	* 55303-56Y27	A1067	117	55303-60Y10	A3065	114
55303-10E28	S1089	105	* 55303-56Y27	B1067	117	55303-60Y10	●B3065	114
55303-10E28	●Z1089	105	* 55303-57C00	A3065	114	55303-60Y15	A3065	114
55303-10E29	S1089	105	* 55303-57C25	A3065	114	55303-60Y15	●B3065	114
55303-10E29	●Z1089	105	* 55303-57C26	A3065	114	55303-60Y20	A3065	114
* 55303-10E86	S1089	105	* 55303-57Y00	A1067	117	55303-60Y20	●B3065	114
* 55303-11E25	S1089	105	* 55303-57Y00	B1067	117	55303-60Y24	A3065	114
* 55303-11E27	S1089	105	* 55303-57Y20	A1067	117	55303-60Y24	●B3065	114
* 55303-3F001	B3174	113	* 55303-57Y20	B1067	117	55303-60Y25	A3065	114
* 55303-3F025	B3174	113	* 55303-57Y25	A1067	117	55303-60Y25	●B3065	114
* 55303-50A00	A1041	114, 117	* 55303-57Y25	B1067	117	55303-60Y26	A3065	114
* 55303-50A00	B1041	114, 117	* 55303-57Y26	A1067	117	55303-60Y26	●B3065	114
* 55303-50A01	A1041	114, 117	* 55303-57Y26	B1067	117	55303-60Y27	A3065	114
* 55303-50A01	B1041	114, 117	* 55303-57Y27	A1067	117	55303-60Y27	●B3065	114
* 55303-50A10	B1041	114, 117	* 55303-57Y27	B1067	117	55303-60Y28	A3065	114
55303-50A25	A1041	114, 117	* 55303-58A00	A1041	114, 117	55303-60Y28	●B3065	114
55303-50A25	B1041	114, 117	* 55303-58A00	B1041	114, 117	* 55303-62C00	A3065	114
55303-50A26	A1041	114, 117	* 55303-58A01	A1041	114, 117	* 55303-62C25	A3065	114
55303-50A26	B1041	114, 117	* 55303-58A01	B1041	114, 117	55303-62C26	A3065	114
* 55303-50A27	A1041	114, 117	55303-58A25	A1041	114, 117	55303-62C26	●B3065	114
* 55303-50A27	B1041	114, 117	55303-58A25	B1041	114, 117	55303-62Y00	A3065	114
* 55303-50A28	A1041	114, 117	55303-58A26	A1041	114, 117	55303-62Y00	●B3065	114
* 55303-50A28	B1041	114, 117	55303-58A26	B1041	114, 117	55303-62Y20	A3065	114
* 55303-50A85	B1041	114, 117	* 55303-58A27	A1041	114, 117	55303-62Y20	●B3065	114
* 55303-51Y00	A1067	117	* 55303-58A27	B1041	114, 117	55303-62Y26	A3065	114
* 55303-51Y00	B1067	117	* 55303-58A28	A1041	114, 117	55303-62Y26	●B3065	114
* 55303-51Y20	A1067	117	* 55303-58A28	B1041	114, 117	55303-69Y00	A1067	117
* 55303-51Y20	B1067	117	* 55303-58C00	A3065	114	55303-69Y00	B1067	117
* 55303-51Y25	A1067	117	* 55303-58C00	B1067	117	* 55303-70A00	B1041	114, 117
* 55303-51Y25	B1067	117	* 55303-58C20	A3065	114	* 55303-70A10	B1041	114, 117
* 55303-51Y26	A1067	117	* 55303-58C20	B1067	117	* 55303-70A15	B1041	114, 117
* 55303-51Y26	B1067	117	55303-58C25	A3065	114	55303-70A25	A1041	114, 117
* 55303-51Y27	A1067	117	55303-58C25	●B3065	114	55303-70A25	B1041	114, 117
* 55303-51Y27	B1067	117	* 55303-58C26	A3065	114	55303-70A26	A1041	114, 117
* 55303-52Y00	A1067	117	* 55303-58C26	B1067	117	55303-70A26	B1041	114, 117
* 55303-52Y00	B1067	117	* 55303-58C27	A3065	114	* 55303-70A85	B1041	114, 117
* 55303-53A00	B1041	114, 117	* 55303-58C27	B1067	117	* 55303-71J00	B3174	113
* 55303-53A01	B1041	114, 117	* 55303-58J00	B3174	113	* 55303-71J25	B3174	113
55303-53A25	A1041	114, 117	* 55303-58J01	B3174	113	* 55303-72J00	B3174	113
55303-53A25	B1041	114, 117	* 55303-58J25	B3174	113	* 55303-72J26	B3174	113
* 55303-53A26	B1041	114, 117	55303-58J26	B3174	113	55303-72Y25	A1067	117
* 55303-53J00	B3174	113	* 55303-58Y00	A1067	117	55303-72Y25	B1067	117
55303-53J25	B3174	113	* 55303-58Y00	B1067	117	* 55303-78J05	B3174	113
* 55303-53Y00	A1067	117	* 55303-58Y20	A1067	117	* 55303-78J26	B3174	113
* 55303-53Y00	B1067	117	* 55303-58Y20	B1067	117	* 55303-87J10	B3174	113
* 55303-53Y20	A1067	117	55303-58Y25	A1067	117	* 55303-87J11	B3174	113

All items marked * are not shown on the contents of the catalogue. Written TOKICO No are just for your reference.

STOCK NO.

O.E.M. NO.

KIT

OEM NO.	TOKICO NO.	REF PAGE	OEM NO.	TOKICO NO.	REF PAGE	OEM NO.	TOKICO NO.	REF PAGE
* 55303-87J26	B3174	113	* 56105-U0127	S3003	104, 105, 111, 115, 116	* 56110-11C29	E3384	121
* 55303-89A26	A1041	114, 117	* 56105-U7525	S3002	104, 105, 111, 118	* 56110-14800	E2566	109, 110
* 55303-89A26	B1041	114, 117	* 56106-H5926	S3008	105, 116, 118	56110-14825	2088	109
55303-8H304	B3223	121	* 56106-H5927	S3008	105, 116, 118	* 56110-14825	E2566	109, 110
55303-8H326	B3223	121	56106-SAA-004	B2291	67	* 56110-16C00	3384	121
55303-8H327	B3223	121	* 56110-011C25	E3384	121	* 56110-16C00	E3384	121
55303-8H600	B3223	121	* 56110-01J00	4089	113	* 56110-16C25	3384	121
55303-8H601	B3223	121	* 56110-01J25	4089	113	* 56110-16C25	E3384	121
55303-8H604	B3223	121	* 56110-01N00	E3418	106	* 56110-16C26	3384	121
* 55303-8H625	B3223	121	56110-01N25	3418	106	* 56110-16C26	E3384	121
55303-8H629	B3223	121	56110-01N25	E3418	106	* 56110-17N00	E3418	106
* 55303-D0101	S3069	116	56110-01N25	●EL3418	106	* 56110-17N25	E3418	106
* 55303-D0125	S3069	116	56110-01N26	3418	106	* 56110-17N50	E3418	106
* 55303-D0301	S3069	116	56110-01N26	E3418	106	* 56110-18N00	E3418	106
55303-D0325	S3069	116	56110-01N26	●EL3418	106	* 56110-18N25	E3418	106
55303-D0325	●Z3069	116	* 56110-01NX6	3418	106	* 56110-18W00	2566	109
* 55303-D1101	S3069	116	* 56110-01W00	2566	109	* 56110-18W00	E2566	109, 110
* 55303-D4010	●Z1104	116	* 56110-01W00	E2566	109, 110	* 56110-18W25	2566	109
* 55303-D4018	●Z1104	116	56110-01W25	2566	109	* 56110-18W25	E2566	109, 110
55303-D4026	S1098	116	56110-01W25	E2566	109	* 56110-20W00	2566	109
55303-D4027	●Z1104	116	56110-01W25	●EL2566	109	* 56110-20W00	E2566	109, 110
* 55303-D4092	●Z1104	116	56110-01W26	2566	109	* 56110-20W25	2566	109
* 55303-D4100	●Z1104	116	56110-01W26	E2566	109	* 56110-20W25	E2566	109, 110
* 55303-D4110	●Z1104	116	56110-01W26	●EL2566	109	56110-21J00	4089	113
55303-D4125	●Z1104	116	* 56110-01W50	2566	109	56110-21J25	4089	113
55303-D4126	●Z1104	116	* 56110-01W50	E2566	109, 110	56110-22J00	4089	113
55303-EQ000	B3223	121	* 56110-03W00	2566	109	56110-22J25	4089	113
55303-EQ025	B3223	121	* 56110-03W00	E2566	109, 110	56110-25G00	2219	110
55303-EQ026	B3223	121	* 56110-03W25	2566	109	56110-25G00	E2566	110
55303-EQ100	B3223	121	* 56110-03W25	E2566	109, 110	56110-25G25	2219	110
55303-EQ125	B3223	121	* 56110-03W50	2566	109	56110-25G25	E2566	110
56101-Z1030	5024	124	* 56110-03W50	E2566	109, 110	56110-25G26	2219	110
56101-Z2000	5024	124	* 56110-04W00	2566	109	56110-25G26	E2566	110
56101-Z2001	5024	124	* 56110-04W00	E2566	109, 110	56110-25G27	2219	110
56101-Z2002	5024	124	* 56110-04W50	2566	109	56110-25G27	E2566	110
56101-Z2004	5044	124	* 56110-04W50	E2566	109, 110	56110-25G50	2219	110
56101-Z2005	5051	124	* 56110-06J00	4089	113	56110-25G50	E2566	110
56101-Z2006	5051	124	* 56110-06J25	4089	113	56110-25G85	2219	110
* 56101-Z3021	5024	124	* 56110-0A525	U2929	113	56110-25G85	E2566	110
56101-Z5000	3257	124	* 56110-0A526	U2929	113	* 56110-25GX5	2219	109, 110
56101-Z5001	4035	124	56110-0F004	3474	121	* 56110-25W00	2566	109
56101-Z5002	●4036	124	56110-0F004	E3474	121	* 56110-25W00	E2566	109, 110
56101-Z5004	4008	124	* 56110-0F006	E3474	121, 163, 164	56110-25W25	2566	109
56101-Z5008	3470	124	56110-0F026	3474	121	56110-25W25	E2566	109
* 56101-Z5023	4035	124	56110-0F026	E3474	121	56110-25W25	●EL2566	109
* 56105-0H525	S3106	107	* 56110-0F027	E3474	121, 163, 164	* 56110-25WX5	2553	121
* 56105-18V25	S3106	107	56110-0F056	3474	121	56110-2F000	U2959	113
* 56105-41L25	S3092	111	56110-0F056	E3474	121	56110-2F025	U2959	113
* 56105-61L25	S3092	111	* 56110-0F605	E3474	121, 163, 164	56110-2F500	U2959	113
* 56105-61L26	S3092	111	56110-0F626	3474	121	56110-2F525	U2959	113
* 56105-H5000	S1041	117, 118	56110-0F626	E3474	121	* 56110-2J002	U2929	113
* 56105-H5025	S1041	117, 118	* 56110-0F627	E3474	121, 163, 164	* 56110-2J026	U2929	113
* 56105-H5026	S1041	117, 118	56110-0F655	3474	121	* 56110-2J027	U2929	113
* 56105-H5027	S1041	117, 118	56110-0F655	E3474	121	* 56110-2J502	U2929	113
* 56105-H5900	S3008	105, 116, 118	56110-0X050	3474	121	* 56110-2J527	U2929	113
* 56105-H5925	S3008	105, 116, 118	56110-0X050	E3474	121	56110-2S600	20005	110
* 56105-M7027	●S1046	113	56110-0X450	3474	121	56110-2S625	20005	110
* 56105-S3000	S3002	104, 105, 111, 118	56110-0X450	E3474	121	56110-2S650	20005	110
* 56105-S3025	S3002	104, 105, 111, 118	* 56110-10W00	2566	109	* 56110-31400	3124	112
* 56105-S3026	S3002	104, 105, 111, 118	* 56110-10W00	E2566	109, 110	* 56110-31425	3124	112
* 56105-S3027	S3002	104, 105, 111, 118	* 56110-10W25	2566	109	56110-31G25	2813	110
* 56105-S3100	S3002	104, 105, 111, 118	* 56110-10W25	E2566	109, 110	56110-32C25	E3636	121
* 56105-S3125	S3002	104, 105, 111, 118	* 56110-11C00	3384	121	56110-35G00	2813	110
* 56105-S3126	S3002	104, 105, 111, 118	* 56110-11C00	E3384	121	56110-35G25	2813	110
* 56105-S3127	S3002	104, 105, 111, 118	* 56110-11C10	3384	121	* 56110-35GX5	2813	110
* 56105-S3400	S3002	104, 105, 111, 118	* 56110-11C10	E3384	121	56110-39J00	4089	113
* 56105-S3425	S3002	104, 105, 111, 118	* 56110-11C25	3384	121	56110-39J25	4089	113
* 56105-S3426	S3002	104, 105, 111, 118	* 56110-11C25	E3384	121	* 56110-3J101	U2929	113
* 56105-S3427	S3002	104, 105, 111, 118	56110-11C26	3384	121	* 56110-3J126	U2929	113
56105-SAA-004	B2290	67	56110-11C26	E3384	121	* 56110-3J127	U2929	113
* 56105-U0100	S3003	104, 105, 111, 115, 116	56110-11C27	3384	121	* 56110-3J200	U2929	113
* 56105-U0125	S3003	104, 105, 111, 115, 116	56110-11C27	E3384	121	* 56110-3J227	U2929	113
* 56105-U0126	S3003	104, 105, 111, 115, 116	* 56110-11C29	3384	121	* 56110-3S525	20005	110

OEM NO.	TOKICO NO.	REF PAGE	OEM NO.	TOKICO NO.	REF PAGE	OEM NO.	TOKICO NO.	REF PAGE
56110-3S560	20005	110	56110-86G25	2813	110	56110-EB71B	U3813	112
56110-3S570	20005	110	* 56110-86J01	U2929	113	* 56110-G0300	●2174	108
* 56110-41G00	E2915	72, 121	* 56110-86J02	U2929	113	56110-G0325	●2174	108
56110-41G25	E2915	121	* 56110-86J25	U2929	113	* 56110-G2501	2553	121
* 56110-41L00	S3092	111	* 56110-86J26	U2929	113	56110-G2510	2553	121
* 56110-41L25	S3092	111	* 56110-8E800	U2929	113	56110-G2510	●E2553	121
* 56110-41W01	2219	109, 110	* 56110-8E825	U2929	113	56110-G2525	2553	121
* 56110-41W01	E2566	109, 110	56110-90062	●5045	124	56110-G2525	●E2553	121
56110-41W25	2219	109, 110	56110-90201	5024	124	56110-G2527	2553	121
56110-41W25	E2566	109, 110	56110-90202	5029	124	56110-G2527	●E2553	121
56110-41W25	●EL2566	109, 110	56110-90207	5024	124	56110-G2528	2553	121
* 56110-44025	●2069	112	56110-90J27	U2929	113	56110-G2528	●E2553	121
* 56110-45G00	E2915	72, 121	56110-90J29	U2929	113	56110-G5125	3384	121
56110-45G25	E2915	121	56110-90J86	U2929	113	56110-G5125	E3384	121
* 56110-46501	●2069	112	56110-90J87	U2929	113	56110-G5525	3384	121
56110-46525	●2069	112	* 56110-90J89	U2929	113	56110-G5525	E3384	121
56110-46525	●EL3345	112	* 56110-A0825	S3002	104, 105, 111, 118	* 56110-G6100	3384	121
* 56110-46G00	3474	121, 163, 164	* 56110-A0826	S3002	104, 105, 111, 118	* 56110-G6100	E3384	121
* 56110-46G00	E3474	121, 163, 164	56110-B0725	●2162	106	56110-G6125	3384	121
56110-46G25	3474	121	56110-B3925	●2162	106	56110-G6125	E3384	121
56110-46G25	E3474	121	* 56110-B5001	E2566	109, 110	* 56110-H1025	S1041	117, 118
56110-46G60	3474	121	56110-B5025	2219	109	* 56110-H1026	S1041	117, 118
56110-46G60	E3474	121	56110-B5025	E2566	109	56110-H5925	S3008	118
* 56110-4J510	U2929	113	56110-B5025	●EL2566	109	56110-H5925	●Z3008	118
* 56110-4J525	U2929	113	* 56110-B5026	E2566	109, 110	* 56110-H7425	S1041	117, 118
* 56110-4J526	U2929	113	* 56110-B5600	E2566	109, 110	* 56110-J0100	3227	110
* 56110-50J01	U2929	113	56110-B5625	2219	109	56110-J0125	3227	110
* 56110-50J15	U2929	113	56110-B5625	E2566	109	56110-J0127	3227	110
* 56110-50W01	E2566	109, 110	56110-B5625	●EL2566	109	56110-J1025	3175	109
56110-50W25	2219	110	* 56110-B6000	2154	136	56110-J4525	3138	109
56110-50W25	E2566	110	* 56110-B6000	E2154	136	56110-J5125	3138	109
56110-50W25	●EL2566	110	* 56110-B6025	2154	136	* 56110-K2325	S3003	104, 105, 111, 115, 116
* 56110-50W26	E2566	109, 110	56110-B6025	●2291	106	* 56110-M3026	●S1046	113
* 56110-50W51	E2566	109, 110	* 56110-B6025	E2154	136	* 56110-M3826	●S1046	113
* 56110-51W01	E2566	109, 110	* 56110-B8400	2154	136	* 56110-N1225	S3003	104, 105, 111, 115, 116
* 56110-58000	3124	112	* 56110-B8400	E2154	136	* 56110-N1226	S3003	104, 105, 111, 115, 116
* 56110-58025	3124	112	* 56110-B8425	2154	136	56110-P0125	●3120	106
* 56110-59502	4020	73, 74, 75	56110-B8425	●2291	106	56110-P0125	E3120	106
56110-61525	3124	112	* 56110-B8425	E2154	136	56110-P0125	●G3193	106
56110-61525	●EL3124	112	56110-B8625	3275	104, 106	56110-P0126	●3120	106
* 56110-61L00	S3092	111	56110-B8625	E3275	104, 106	56110-P0126	E3120	106
* 56110-61L02	S3092	111	56110-B8626	3275	104, 106	56110-P0126	●G3193	106
* 56110-61L25	S3092	111	56110-B8626	E3275	104, 106	56110-P0525	●3120	106
* 56110-61L27	S3092	111	* 56110-B9325	E2566	109, 110	56110-P0525	E3120	106
* 56110-64J00	U2929	113	* 56110-B9500	E2566	109, 110	56110-P0525	●G3193	106
* 56110-64J01	U2929	113	56110-B9525	2219	109	* 56110-R0125	S3002	104, 105, 111, 118
* 56110-64J25	U2929	113	56110-B9525	E2566	109	* 56110-R0325	S3002	104, 105, 111, 118
* 56110-64J26	U2929	113	56110-B9525	●EL2566	109	* 56110-R1025	S3002	104, 105, 111, 118
* 56110-65J00	U2929	113	56110-B9526	2219	109	* 56110-R3025	S3002	104, 105, 111, 118
* 56110-65J25	U2929	113	56110-B9526	E2566	109	* 56110-R3026	S3002	104, 105, 111, 118
* 56110-70J00	U2929	113	56110-B9526	●EL2566	109	* 56110-R5225	S3002	104, 105, 111, 118
* 56110-71J10	U2929	113	* 56110-C0401	4029	71, 73	56110-R8025	3275	106
* 56110-72J01	U2929	113	* 56110-C6001	2620	112	56110-R8025	E3275	106
* 56110-76000	3178	109	* 56110-C6002	2620	112	56110-R8026	3275	106
* 56110-76000	E3178	109	* 56110-C6003	2620	112	56110-R8026	E3275	106
* 56110-76001	3178	109	56110-C6025	2620	112	56110-R8027	3275	106
* 56110-76001	E3178	109	* 56110-C6026	2620	112	56110-R8027	E3275	106
56110-76025	3178	109	* 56110-C6027	2620	112	56110-R8028	3275	106
56110-76026	E3178	109	* 56110-C7600	3347	112, 113	56110-R8028	E3275	106
56110-76026	3178	109	* 56110-C7601	3347	112, 113	* 56110-S0125	S3002	104, 105, 111, 118
56110-76026	E3178	109	56110-C7625	3347	113	* 56110-S0425	S3002	104, 105, 111, 118
56110-76027	3175	109	56110-C7627	3347	112	* 56110-S3025	S3002	104, 105, 111, 118
* 56110-76401	3178	109	* 56110-C7651	3347	112, 113	* 56110-S3425	S3002	104, 105, 111, 118
* 56110-76401	E3178	109	* 56110-C76X5	3347	112, 113	* 56110-S9000	3468	108
56110-76425	3178	109	* 56110-C8200	3347	112, 113	* 56110-S9001	3468	108
56110-76425	E3178	109	56110-C8225	3347	112, 113	56110-S9025	3468	108
56110-77225	3175	109	* 56110-C8250	3347	112, 113	56110-S9026	3468	108
56110-7F601	3474	121	* 56110-C9400	3347	112, 113	* 56110-S90X6	3468	108
56110-7F601	E3474	121	* 56110-C9425	3347	112, 113	* 56110-S9901	3468	108
* 56110-7F626	3474	121, 163, 164	* 56110-D1125	S3068	116	* 56110-S9926	3468	108
* 56110-7F626	E3474	121, 163, 164	* 56110-E6625	S3003	104, 105, 111, 115, 116	56110-T2025	3138	108, 109
56110-85025	3138	108, 109	56110-EB70B	U3814	112	56110-T3027	3275	104, 106
56110-86G00	2813	110	56110-EB71A	U3813	112	56110-T3027	E3275	104, 106

All items marked * are not shown on the contents of the catalogue. Written TOKICO No are just for your reference.

STOCK NO.

O.E.M. NO.

KIT

STOCK NO.

O.E.M. NO.

KIT

OEM NO.	TOKICO NO.	REF PAGE	OEM NO.	TOKICO NO.	REF PAGE	OEM NO.	TOKICO NO.	REF PAGE
56110-T3028	3275	104	56200-35G25	2814	110	56210-05A25	E1153	117
56110-T3028	E3275	104	* 56200-8Z415	E3435	106, 107	56210-05A26	E1153	117
* 56110-T5425	2771	165	* 56200-8Z428	E3435	106, 107	56210-05N25	2816	106
* 56110-T5425	2843	96	56200-EB70C	E3815	112	* 56210-05S25	U2615	111
56110-T5425	3275	104, 106	56200-EB70D	E3817	112	* 56210-05S26	U2615	111
56110-T5425	E3275	104	56200-EB71A	E3816	112	* 56210-08700	●2069	112
56110-T5426	3275	104	56200-EB71D	E3816	112	* 56210-08725	●2069	112
56110-T5426	E3275	104	56200-H1001	●1088	118	* 56210-08R05	2715	113
* 56110-T8401	3468	108	* 56200-H1001	1112	118	* 56210-08R05	E2735	82, 86
* 56110-T8426	3468	108	56200-H2825	●1088	118	* 56210-08R15	2715	113
* 56110-T9001	3468	108	56200-H5025	1112	118	* 56210-08R15	E2735	82, 86
* 56110-T9026	3468	108	56200-H5025	●G1112	118	56210-08R25	2715	113
* 56110-U0125	S3003	104, 105, 111, 115, 116	56200-H7925	1112	118	56210-08R26	2715	113
* 56110-U0126	S3003	104, 105, 111, 115, 116	56200-H7925	●G1112	118	56210-08R27	2715	113
* 56110-U3425	S3003	104, 105, 111, 115, 116	* 56200-VR300	E3395	107	56210-08R28	2715	113
* 56110-U3426	S3003	104, 105, 111, 115, 116	* 56200-VR325	E3395	107	* 56210-08R28	E2735	82, 86
* 56110-U7525	S3002	104, 105, 111, 118	* 56203-01B10	Q1164	112	56210-08R85	2715	113
* 56110-U7725	S3002	104, 105, 111, 118	* 56203-01B10	U1164	112	56210-08R86	2715	113
* 56110-V0100	3279	106	* 56203-01B15	Q1164	112	* 56210-08R86	E2735	82, 86
* 56110-V0100	E3279	106	* 56203-01B15	U1164	112	56210-08R87	2715	113
56110-V0125	3279	106	56203-01B25	Q1164	112	56210-08R88	2715	113
56110-V0125	E3279	106	56203-01B25	U1164	112	* 56210-08R88	E2735	82, 86
56110-V0125	●EL3279	106	56203-01B26	Q1164	112	* 56210-09E00	●2841	105
56110-V0127	3279	106	56203-01B26	U1164	112	56210-09E25	●2841	105
56110-V0127	E3279	106	* 56203-01B27	Q1164	112	* 56210-0C025	2254	115, 121
56110-V0127	●EL3279	106	* 56203-01B27	U1164	112	* 56210-0C026	2254	115, 121
56110-V0128	3279	106	56203-01B28	Q1164	112	* 56210-0C028	2254	115, 121
56110-V0128	E3279	106	56203-01B28	U1164	112	* 56210-0C029	2254	115, 121
56110-V0128	●EL3279	106	* 56203-01B29	Q1164	112	56210-0C721	3597	115
* 56110-V0186	3279	106	* 56203-01B29	U1164	112	56210-0C725	3597	115
* 56110-V0186	E3279	106	* 56203-04B00	Q1164	112	56210-0F028	E2861	121
* 56110-V1220	3279	106	* 56203-04B00	U1164	112	56210-0F628	E2861	121
* 56110-V1220	E3279	106	* 56203-04B05	Q1164	112	56210-0M011	U2928	117
56110-V1225	●3254	106	* 56203-04B05	U1164	112	56210-0M012	U2918	119
* 56110-V1225	3279	106	* 56203-04B25	Q1164	112	56210-0M012	U2928	117
56110-V1225	E3279	106	* 56203-04B25	U1164	112	56210-0M020	U2918	119
56110-V1225	●EL3279	106	* 56203-04B26	Q1164	112	56210-0M025	U2918	119
56110-V1425	3279	106	* 56203-04B26	U1164	112	56210-0M025	U2928	117
56110-V1425	E3279	106	* 56203-05B00	Q1164	112	56210-0M026	U2918	119
56110-V1425	●EL3279	106	* 56203-05B00	U1164	112	56210-0M027	U2918	119
56110-V1427	3279	106	* 56203-05B10	Q1164	112	56210-0M028	U2918	119
56110-V1427	E3279	106	* 56203-05B10	U1164	112	56210-0M085	U2918	119
56110-V1427	●EL3279	106	56203-05B25	Q1164	112	56210-0M200	U2918	119
56110-V1428	3279	106	56203-05B25	U1164	112	56210-0M210	U2918	119
56110-V1428	E3279	106	56203-05B26	Q1164	112	56210-0M500	U2918	119
56110-V1428	●EL3279	106	56203-05B26	U1164	112	56210-0M611	U2918	119
* 56110-V5025	S3085	107	* 56203-17B27	Q1164	112	56210-0M625	U2918	119
* 56110-V5026	S3085	107	* 56205-12E26	●Z1104	116	56210-0M626	U2918	119
* 56110-V5027	S3085	107	* 56205-D4027	●Z1104	116	56210-0M811	U2931	119
56110-VB000	4089	113	* 56205-D4125	●Z1104	116	56210-0M825	U2931	114, 119
56110-VB010	4089	113	* 56205-D4126	●Z1104	116	56210-0M825	●U2941	114
56110-VB025	4089	113	* 56210-01A00	E1153	114, 117	56210-0N300	U2918	119
56110-VB026	4089	113	56210-01G00	2554	110	56210-0N325	U2918	119
56110-VB700	4089	113	56210-01G25	2554	110	56210-0N600	U2931	119
56110-VB725	4089	113	* 56210-01J00	4090	113	56210-0N620	U2931	117, 119
* 56110-W1025	S3008	105, 116, 118	* 56210-01J10	4090	113	56210-0N620	●U2941	117
56110-Y0125	●3254	106	56210-01J25	4090	113	56210-0N625	U2931	119
56110-Y0125	E3279	106	* 56210-01J26	4090	113	56210-0N626	U2931	119
56110-Y0125	●EL3279	106	56210-01N25	3068	106	56210-0X825	E2861	121
56110-Y0525	●3254	106	56210-01N25	E3344	106	56210-0X925	E2861	121
56110-Y0525	E3279	106	56210-01N25	●EL3344	106	56210-10G00	2554	110
56110-Y0525	●EL3279	106	* 56210-01NX5	3068	104, 106, 108, 109, 110, 112	56210-10G25	2554	110
56110-Y1525	●3254	106	* 56210-01S25	U2615	111	* 56210-10V00	E3419	159
56110-Y1525	E3279	106	* 56210-01S26	U2615	111	* 56210-10V25	E3419	159
56110-Y1525	●EL3279	106	56210-01W25	2220	109	* 56210-10W01	2220	106, 109
56110-Z2000	5024	124	56210-01W25	●EL2220	109	* 56210-10W10	2220	106, 109
* 56110-Z3021	5024	124	56210-01W26	2220	109	* 56210-10W27	2220	106, 109
* 56110-Z5002	●4036	124	56210-01W26	●EL2220	109	* 56210-10W51	2220	106, 109
56200-25G00	2518	110	* 56210-01W50	2220	106, 109	* 56210-11C25	2846	121
56200-25G25	2518	110	56210-02A02	E2777	114	* 56210-11E25	●2841	105
* 56200-30W01	2186	110	56210-02A12	E2777	114	56210-11G25	2846	121
* 56200-30W01	E2186	110	56210-02A25	E2777	114	* 56210-13125	●2069	112
56200-35G00	2814	110	* 56210-05A00	E1153	114, 117	56210-14825	2089	109

OEM NO.	TOKICO NO.	REF PAGE	OEM NO.	TOKICO NO.	REF PAGE	OEM NO.	TOKICO NO.	REF PAGE
56210-15225	2089	109	56210-2N310	U2965	117, 120	56210-3M625	U2965	120
* 56210-15A00	E1153	114, 117	56210-2N320	U2965	117, 120	* 56210-3M626	U2918	117, 119
56210-15A25	E1153	117	56210-2N325	U2965	117, 120	56210-3Y000	U2972	108
56210-15A26	E1153	117	56210-2N326	U2965	117, 120	56210-3Y001	U2972	108
* 56210-18V00	3395	107	56210-2N327	U2965	117, 120	56210-3Y025	U2972	108
* 56210-18V00	E3395	107	* 56210-2N3X7	U2965	117, 120	* 56210-3Y026	U2972	108
56210-18V25	3395	107	56210-2Y002	U2972	108	56210-3Y027	U2972	108
56210-18V25	E3395	107	* 56210-2Y025	U2972	108	56210-3Y028	U2972	108
* 56210-18VX5	3395	107	56210-2Y026	U2972	108	* 56210-40F00	U2867	107, 111
* 56210-1F525	E1202	112	56210-2Y402	U2972	108	* 56210-40F25	U2867	107, 111
56210-20825	2089	109	56210-2Y426	U2972	108	56210-40U00	U2932	107
56210-21028	●2125	104, 111	* 56210-2Y427	U2972	108	56210-40U25	U2932	107
56210-21028	3155	104, 111	* 56210-2Y4X6	U2972	108	* 56210-40U26	U2932	107
56210-21028	●G2185	104, 111	56210-2Y900	U2972	108	56210-41B06	1202	112
* 56210-21A00	E1153	114, 117	56210-2Y901	U2972	108	56210-41B06	E1202	112
* 56210-21A01	E1153	114, 117	56210-2Y902	U2972	108	56210-41B06	●E2939	112
* 56210-21A02	E1153	114, 117	56210-2Y925	U2972	108	56210-41B26	1202	112
* 56210-21A10	E1153	114, 117	56210-2Y927	U2972	108	56210-41B26	E1202	112
56210-21A25	E1153	117	56210-2Y928	U2972	108	56210-41B26	●E2939	112
56210-21A26	E1153	117	* 56210-2Y9X5	U2972	108	* 56210-41G00	2650	121, 165
56210-21A27	E1153	114	56210-31C25	2048	121	* 56210-41G00	E2650	121, 165
56210-21A28	E1153	114	56210-31C25	E2048	121	56210-41G25	2650	121
* 56210-21A86	E1153	114, 117	56210-31G00	2814	110	56210-41G25	●E2650	121
56210-21J00	4090	113	56210-31G25	2814	110	* 56210-41G25	E2650	121, 165
56210-21J25	4090	113	* 56210-31L01	U2615	111	* 56210-41L01	U2784	105, 111, 112
56210-22025	●2125	104	56210-31L25	U2615	111	* 56210-41L03	U2784	105, 111, 112
56210-22025	3155	104	56210-31L25	●X2615	111	56210-41L25	U2784	111
56210-22025	●G2185	104	56210-31L27	U2615	111	56210-41L26	U2784	111
56210-22125	●2125	104	56210-31L27	●X2615	111	* 56210-41L27	U2784	105, 111, 112
56210-22125	3155	104	56210-31L88	U2615	111	* 56210-41L28	U2784	105, 111, 112
56210-22125	●G2185	104	56210-31L88	●X2615	111	* 56210-41L51	U2784	105, 111, 112
56210-22525	●2127	105	56210-31L89	U2615	111	* 56210-41LX8	U2784	105, 111, 112
56210-22526	●2127	105	56210-31L89	●X2615	111	* 56210-41LX9	U2784	105, 111, 112
56210-22J00	4090	113	* 56210-31M01	E1153	114, 117	* 56210-41W00	2220	106, 109
56210-22J25	4090	113	56210-31M25	E1153	114	56210-41W25	2220	109
* 56210-25A00	2757	118	56210-31M26	E1153	114	56210-41W25	●EL2220	109
* 56210-25A01	2757	118	* 56210-31U00	U2932	107	* 56210-42W00	2186	110
56210-25A26	2757	118	* 56210-31U01	U2932	107	* 56210-42W00	E2186	110
56210-25A27	2757	118	* 56210-31U25	U2932	107	56210-42W25	2186	110
56210-25G00	2518	110	* 56210-31U27	U2932	107	56210-42W25	E2186	110
56210-25G25	2518	110	56210-32C25	2048	121	* 56210-43U00	U2932	107
56210-25G26	2518	110	56210-32C25	E2048	121	56210-43U01	U2932	107
56210-25G27	2518	110	* 56210-33100	3124	112	* 56210-43U26	U2932	107
* 56210-25W00	2220	106, 109	* 56210-33125	3124	112	* 56210-43U27	U2932	107
* 56210-25W01	2220	106, 109	* 56210-33M00	E1153	114, 117	* 56210-44F00	U2867	107, 111
56210-25W25	2220	109	56210-33M25	E1153	114, 117	* 56210-44F25	U2867	107, 111
56210-25W25	●EL2220	109	56210-33M26	E1153	114, 117	* 56210-45A00	2757	118
* 56210-25W26	2220	106, 109	* 56210-35F10	U2867	107, 111	* 56210-45A25	2757	118
* 56210-25W27	2220	106, 109	* 56210-35F11	U2867	107, 111	* 56210-45G00	2650	121, 165
* 56210-25W51	2220	106, 109	* 56210-35F12	U2867	107, 111	* 56210-45G00	E2650	121, 165
56210-26225	●2127	105	* 56210-35F13	U2867	107, 111	56210-45G25	2650	121
* 56210-26A01	2757	118	* 56210-35F27	U2867	107, 111	56210-45G25	●E2650	121
* 56210-26A25	2757	118	* 56210-35F28	U2867	107, 111	* 56210-45G25	E2650	121, 165
* 56210-26W00	2220	106, 109	* 56210-35F29	U2867	107, 111	* 56210-46G00	2650	121, 165
* 56210-26W25	2220	106, 109	* 56210-35F86	U2867	107, 111	* 56210-46G00	E2650	121, 165
* 56210-26W50	2220	106, 109	* 56210-35F87	U2867	107, 111	56210-46G25	2650	121
* 56210-27A01	2757	118	56210-35G00	2814	110	56210-46G25	●E2650	121
* 56210-27A25	2757	118	56210-35G25	2518	110	* 56210-46G25	E2650	121, 165
* 56210-28500	●2127	105, 153	56210-35G25	2814	110	56210-4B000	U2918	119
* 56210-28500	2256	147	56210-35G26	2814	110	56210-4B025	U2918	119
* 56210-28525	●2127	105, 153	* 56210-35GX5	2814	110	* 56210-4F120	1202	112
* 56210-28525	2256	147	* 56210-35V00	3395	107	* 56210-4F120	E1202	112
* 56210-28526	●2127	105, 153	* 56210-35V00	E3395	107	56210-4F125	1202	112
* 56210-28526	2256	147	56210-35V25	3395	107	56210-4F125	E1202	112
* 56210-29300	2154	136	56210-35V25	E3395	107	56210-4F125	●E2939	112
* 56210-29325	2154	136	* 56210-36U00	U2932	107	* 56210-4M400	U2971	119
* 56210-29326	2154	136	56210-3M011	U2965	120	* 56210-4M405	U2971	119
* 56210-2J002	U2931	114, 117, 119	56210-3M012	U2965	120	* 56210-4M425	U2971	119
* 56210-2J026	U2931	114, 117, 119	56210-3M025	U2918	117	* 56210-4M426	U2971	119
* 56210-2J027	U2931	114, 117, 119	56210-3M026	U2918	117	56210-4M427	U2971	119
* 56210-2J504	U2931	114, 117, 119	56210-3M028	U2965	120	* 56210-4Z000	U2971	119
* 56210-2J527	U2931	114, 117, 119	* 56210-3M029	U2918	117, 119	* 56210-4Z005	U2971	119
56210-2N300	U2965	117, 120	56210-3M612	U2965	120	* 56210-4Z025	U2971	119

All items marked * are not shown on the contents of the catalogue. Written TOKICO No are just for your reference.

STOCK NO.

O.E.M. NO.

KIT

OEM NO.	TOKICO NO.	REF PAGE	OEM NO.	TOKICO NO.	REF PAGE	OEM NO.	TOKICO NO.	REF PAGE
* 56210-4Z027	U2971	119	* 56210-73R25	E2995	104	56210-B5025	2220	109
* 56210-4Z600	U2971	119	56210-75N00	E2995	104	56210-B5025	●EL2220	109
* 56210-4Z625	U2971	119	56210-75N25	E2995	104	* 56210-B5600	2221	109
* 56210-50F00	U2867	107, 111	* 56210-76000	3178	109	56210-B5625	2221	109
* 56210-50F25	U2867	107, 111	* 56210-76000	E3178	109	* 56210-B6000	2220	106, 109
* 56210-50F26	U2867	107, 111	* 56210-76001	3178	109	56210-B6025	2220	106
* 56210-50W00	2186	110	* 56210-76001	E3178	109	56210-B6025	●EL2220	106
* 56210-50W00	E2186	110	56210-76025	3178	109	* 56210-B8725	2220	106, 109
* 56210-50W25	2186	110	56210-76025	E3178	109	* 56210-B9325	2220	106, 109
* 56210-50W25	E2186	110	* 56210-76026	3178	109	* 56210-B9500	2220	106, 109
56210-51N01	4090	113	* 56210-76026	E3178	109	56210-B9525	2220	109
56210-51N26	4090	113	* 56210-76701	3178	109	56210-B9525	●EL2220	109
* 56210-52F00	U2867	107, 111	* 56210-76701	E3178	109	56210-B9526	2220	109
* 56210-52F25	U2867	107, 111	56210-76725	3178	109	56210-B9526	●EL2220	109
* 56210-52F26	U2867	107, 111	56210-76725	E3178	109	* 56210-C4225	●2069	112
* 56210-55F00	U2867	107, 111	56210-76N00	E2960	104	* 56210-C6201	2654	112
* 56210-55F25	U2867	107, 111	56210-76N25	E2960	104	56210-C6225	●2621	112
* 56210-56S05	U2759	111, 112	* 56210-77000	3178	109	56210-C6225	2654	112
* 56210-56S27	U2759	111, 112	* 56210-77000	E3178	109	* 56210-C6227	2654	112
* 56210-56S28	U2759	111, 112	56210-77025	3178	109	56210-C6227	●2716	112
* 56210-56S78	U2759	111, 112	56210-77025	E3178	109	* 56210-C6260	2654	112
* 56210-5C502	E3792	111	* 56210-77200	3178	109	* 56210-C7500	3349	113
56210-5C503	E3792	111	* 56210-77200	E3178	109	56210-C7525	3349	113
* 56210-5C525	E3792	111	* 56210-77225	3178	109	* 56210-C7600	3348	112, 113
56210-5C527	E3792	111	* 56210-77225	E3178	109	* 56210-C7601	3348	112, 113
* 56210-5M400	U2971	119	56210-78525	●2125	104, 111	* 56210-C7625	3348	112, 113
* 56210-5M425	U2971	119	56210-78525	3155	104, 111	56210-C7627	3348	112, 113
56210-5Y000	U2972	108	56210-78525	●G2185	104, 111	* 56210-C7700	2654	112
56210-5Y025	U2972	108	56210-7C002	2254	115	* 56210-C7725	2654	112
* 56210-5Y0X5	U2972	108	56210-7C002	●EL2254	115	* 56210-C8200	3348	112, 113
* 56210-61L00	U2759	111, 112	56210-7C025	2254	115	* 56210-C8201	3348	112, 113
* 56210-61L01	U2759	111, 112	56210-7C025	●EL2254	115	56210-C8226	3348	112, 113
* 56210-61L02	U2759	111, 112	* 56210-7J100	U2931	114, 117, 119	56210-C8228	3348	112, 113
* 56210-61L03	U2759	111, 112	* 56210-7J125	U2931	114, 117, 119	* 56210-C8500	2654	112
* 56210-61L04	U2759	111, 112	56210-82625	●3231	108, 109	* 56210-C8501	2654	112
* 56210-61L25	U2759	111, 112	* 56210-82700	●3233	108, 109	56210-C8525	3349	113
* 56210-61L27	U2759	111, 112	* 56210-82705	●3233	108, 109	* 56210-C8526	2654	112
* 56210-61L28	U2759	111, 112	56210-82725	●3233	108, 109	56210-C8527	3349	113
* 56210-61L54	U2759	111, 112	56210-82N00	E2960	104	* 56210-C8528	2654	112
56210-61L85	U2759	111	56210-82N01	E2960	104	* 56210-C8560	3349	113
* 56210-61L86	U2759	111, 112	56210-82N25	E2960	104, 113	56210-C8561	3349	113
* 56210-61L87	U2759	111, 112	56210-82N26	E2960	104	* 56210-C85X7	3349	113
56210-61L88	U2759	111	* 56210-85000	E3344	104, 106, 108, 109, 110, 112	* 56210-D1125	S3069	116
56210-61L89	U2759	112	56210-85025	3068	108	56210-E6126	●2125	111
* 56210-67R00	E2995	104	56210-85025	E3344	108	56210-E6126	3155	111
* 56210-67R25	E2995	104	56210-85025	●EL3344	108	56210-E6126	●G2185	111
56210-69000	3121	106	* 56210-85300	E3344	104, 106, 108, 109, 110, 112	56210-E7325	●2125	111
* 56210-6F605	E1202	112	56210-85325	3068	109	56210-E7325	3155	111
56210-6Y000	U2972	108	56210-85325	E3344	109	56210-E7325	●G2185	111
56210-6Y300	U2972	108	56210-85325	●EL3344	109	56210-E7326	●2125	111
56210-6Y325	U2972	108	* 56210-85L00	U2867	107, 111	56210-E7326	3155	111
* 56210-6Y3X5	U2972	108	* 56210-85L10	U2867	107, 111	56210-E7326	●G2185	111
56210-6Y400	U2972	108	* 56210-85L27	U2867	107, 111	* 56210-F0800	3024	74
56210-6Y401	U2972	108	* 56210-85L28	U2867	107, 111	* 56210-F0825	3024	74
56210-6Y425	U2972	108	* 56210-8M400	U2971	119	* 56210-F0826	3024	74
56210-6Y427	U2972	108	* 56210-8M600	U2971	119	56210-F4303	U2918	119
56210-70N00	E2960	104	56210-90003	5044	124	56210-F4325	U2918	119
56210-70N25	E2960	104	56210-9C002	2254	115	56210-F5025	U2622	111
56210-71L00	U2867	107, 111	56210-9C002	●EL2254	115	56210-F5025	●X2622	111
56210-71L01	U2867	107, 111	56210-9C025	2254	115	56210-F5026	U2622	111
56210-71L25	U2867	107, 111	56210-9C025	●EL2254	115	56210-F5026	●X2622	111
56210-71L26	U2867	107, 111	56210-9C026	2254	115	56210-F5125	U2784	112
56210-71L85	U2867	107, 111	56210-9C026	●EL2254	115	56210-F5125	●X2286	112
56210-71L86	U2867	107	* 56210-9C105	3597	115	56210-F5126	U2784	112
* 56210-71L87	U2867	107, 111	* 56210-9C125	3597	115	56210-F5126	●X2286	112
* 56210-71LX7	U2867	107, 111	* 56210-9C126	3597	115	56210-F5325	U2784	112
56210-72N00	E2995	104	56210-A8925	●2125	104, 105	56210-F5325	●X2286	112
* 56210-72N10	E2995	104	56210-A8925	3155	104, 105	56210-F5326	U2784	112
56210-72N25	E2995	104	56210-A8925	●G2185	104, 105	56210-F5326	●X2286	112
56210-72U10	E2995	104	* 56210-AN226	E1202	112	56210-F88225	U2622	111
* 56210-73001	3024	74	* 56210-B0700	2220	106, 109	56210-F88225	●X2622	111
* 56210-73026	3024	74	56210-B0725	2089	106	56210-F88226	U2622	111
* 56210-73R00	E2995	104	* 56210-B5001	2220	106, 109	56210-F88226	●X2622	111

OEM NO.	TOKICO NO.	REF PAGE	OEM NO.	TOKICO NO.	REF PAGE	OEM NO.	TOKICO NO.	REF PAGE
56210-G0325	2173	108	* 56210-H8825	1138	118	56210-R8028	2220	106
* 56210-G1000	2048	117, 118, 121	* 56210-H8825	●G2293	116	56210-R8028	●EL2220	106
* 56210-G1000	E2048	117, 118, 121	56210-H8925	1138	118	* 56210-R8051	2220	106, 109
* 56210-G1001	2048	117, 118, 121	56210-H8925	●2556	118	* 56210-R8056	2220	106, 109
* 56210-G1001	E2048	117, 118, 121	56210-H8925	●G1138	118	* 56210-R8066	●3233	108, 109
56210-G1025	2048	117	56210-H8926	1138	118	* 56210-S5025	U2784	105, 111, 112
56210-G1025	E2048	117	56210-H8926	●2556	118	* 56210-S5026	U2784	105, 111, 112
56210-G1026	2048	117	56210-H8926	●G1138	118	* 56210-S5900	U2784	105, 111, 112
56210-G1026	E2048	117	* 56210-H9500	2048	117, 118, 121	* 56210-S5925	U2784	105, 111, 112
56210-G2525	2554	121	* 56210-H9500	E2048	117, 118, 121	* 56210-S6425	U2784	105, 111, 112
56210-G2525	●E2554	121	56210-H9526	2048	118	* 56210-S9001	3469	108
56210-G2526	2554	121	56210-H9526	E2048	118	56210-S9025	3469	108
56210-G2526	●E2554	121	56210-J0125	3068	110	56210-S9026	3469	108
56210-G3025	2173	108	56210-J0125	E3344	110	* 56210-S9051	3469	108
56210-G5125	2846	121	56210-J0125	●EL3344	110	* 56210-S9501	3469	108
56210-G5126	2846	121	56210-J1025	3178	109	56210-S9526	3469	108
56210-G6125	2254	121	56210-J1025	E3178	109	* 56210-S95X6	3469	108
* 56210-G6126	2254	115, 121	56210-J2025	3178	109	56210-T3025	3141	104, 106
* 56210-G8125	2518	110, 116	56210-J2025	E3178	109	56210-T5427	3068	104, 106
* 56210-G8325	2504	53, 82, 96, 98, 160, 176	56210-J5625	●3316	109	56210-T5427	E3344	104, 106
* 56210-H1001	1112	118	56210-J6425	●3319	109	56210-T5427	●EL3344	104, 106
* 56210-H1400	2048	117, 118, 121	56210-K0125	2206	115	56210-T6125	3141	104
* 56210-H1400	E2048	117, 118, 121	56210-K0125	●G2235	115	56210-T6227	3068	104
56210-H1425	2048	118	* 56210-K3000	●2208	105, 116	56210-T6227	E3344	104
56210-H1425	E2048	118	56210-K3025	●2208	116	56210-T6227	●EL3344	104
56210-H1825	●1031	118	* 56210-K3026	●2208	105, 116	* 56210-T8101	3469	108
56210-H2525	●2203	118	56210-M9025	2715	113	* 56210-T8128	3469	108
* 56210-H2801	1112	118	* 56210-N5000	2207	50, 51, 147, 173	56210-U0125	●G2199	104, 105, 116
* 56210-H2825	1112	118	* 56210-N5025	2207	50, 51, 147, 173	56210-U0126	●G2199	104, 105, 116
* 56210-H5000	1112	118	* 56210-N5026	2207	50, 51, 147, 173	56210-U0127	●G3224	104, 116
56210-H5025	1112	118	56210-N7125	●G2283	116	56210-U0128	●G3224	104, 116
56210-H5025	●G1112	118	* 56210-N8200	●G2293	116	* 56210-U0135	●2208	105, 116
* 56210-H5026	1112	118	56210-N8225	●2293	116	* 56210-U1300	●2208	105, 116
56210-H5525	●1113	118	56210-N8225	●G2293	116	56210-U1325	●2208	105
* 56210-H5526	●1113	118	56210-N8226	●2293	116	56210-U1326	●2208	105
56210-H5825	1112	118	56210-N8226	●G2293	116	56210-U1327	●2208	105
56210-H5825	●G1112	118	* 56210-N9400	●G2293	116	* 56210-U1400	●2208	105, 116
56210-H5826	1112	118	* 56210-N9425	●G2293	116	56210-U1425	●2208	105, 116
56210-H5826	●G1112	118	* 56210-N9426	●G2293	116	56210-U1426	●2208	105, 116
* 56210-H5900	●1113	118	* 56210-N9450	●G2293	116	56210-U1526	2206	105
56210-H5925	●1113	118	* 56210-N9451	●G2293	116	* 56210-U3025	●2208	105, 116
56210-H5925	●G1113	118	* 56210-P0800	E3435	106, 107	56210-U3425	●G3224	104
56210-H5926	●1113	118	56210-P0825	3037	106	56210-U3525	●G3224	104
56210-H5926	●G1113	118	56210-P0825	E3435	106	* 56210-U7400	●G2287	105
* 56210-H6100	1112	118	56210-P0825	●EL3037	106	56210-U7425	●G2287	105
* 56210-H6126	1112	118	56210-P1025	3037	106, 107	56210-U7500	U2622	105
* 56210-H6300	●1113	118	56210-P1025	E3435	106, 107	* 56210-U7500	U2784	105, 111, 112
56210-H6325	●1113	118	56210-P1025	●EL3037	106, 107	56210-U7500	●U3306	105
56210-H6326	●1113	118	56210-P1026	3037	106	56210-U7525	U2622	105
* 56210-H6600	2048	117, 118, 121	56210-P1026	E3435	106	* 56210-U7525	U2784	105, 111, 112
* 56210-H6600	E2048	117, 118, 121	56210-P1026	●EL3037	106	56210-U7525	●U3306	105
56210-H6625	2048	118	* 56210-P10X5	3037	106, 107	* 56210-U7600	U2784	105, 111, 112
56210-H6625	E2048	118	* 56210-P6500	U2784	105, 111, 112	* 56210-U7610	U2784	105, 111, 112
56210-H6626	2048	118	* 56210-P6525	U2784	105, 111, 112	56210-U7625	U2784	105
56210-H6626	E2048	118	* 56210-P6526	U2784	105, 111, 112	56210-U7625	●X2286	105
* 56210-H7900	1112	118	* 56210-P8825	U2622	105, 111	56210-U7626	U2784	105
* 56210-H7910	●1113	118	* 56210-Q0101	U2784	105, 111, 112	56210-U7626	●X2286	105
56210-H7925	1112	118	56210-Q0125	U2784	111	56210-U7627	U2784	105
56210-H7925	●G1112	118	56210-Q0125	●X2286	111	56210-U7627	●X2286	105
56210-H7926	1112	118	56210-Q0126	U2784	111	56210-U7628	U2784	105
56210-H7926	●G1112	118	56210-Q0126	●X2286	111	56210-U7628	●X2286	105
56210-H7928	●1113	118	56210-Q1625	U2784	111	56210-U7629	U2784	105
56210-H7928	●G1113	118	56210-Q1625	●X2286	111	56210-U7629	●X2286	105
* 56210-H8500	1138	118	* 56210-R8000	2220	106, 109	56210-U7725	U2784	105
* 56210-H8500	●G2293	116	* 56210-R8001	2220	106, 109	56210-U7725	●X2286	105
* 56210-H8501	1138	118	* 56210-R8006	2220	106, 109	* 56210-U7800	U2784	105, 111, 112
* 56210-H8501	●G2293	116	* 56210-R8010	●3233	108, 109	* 56210-U7825	U2784	105, 111, 112
56210-H8525	1138	118	56210-R8025	2220	106	* 56210-U7826	U2784	105, 111, 112
56210-H8525	●2556	118	56210-R8025	●EL2220	106	* 56210-U8600	●2208	105, 116
56210-H8525	●G1138	118	56210-R8026	2220	106	56210-U8625	●2208	105
56210-H8526	1138	118	56210-R8026	●EL2220	106	56210-U8626	●2208	105
56210-H8526	●2556	118	56210-R8027	2220	106	* 56210-V0100	E3280	106
56210-H8526	●G1138	118	56210-R8027	●EL2220	106	* 56210-V0101	E3280	106

All items marked * are not shown on the contents of the catalogue. Written TOKICO No are just for your reference.

STOCK NO.

O.E.M. NO.

KIT

OEM NO.	TOKICO NO.	REF PAGE	OEM NO.	TOKICO NO.	REF PAGE	OEM NO.	TOKICO NO.	REF PAGE
56210-V0125	3280	106	56210-W1626	U2622	105	7210-22040	E2746	130
56210-V0125	E3280	106	56210-W1626	●U3306	105	* 7210-22050	E2746	130, 131
56210-V0125	●EL3280	106	56210-W1627	●Q3357	105	7210-22060	E2746	130
56210-V0126	3280	106	56210-W1627	U2622	105	7210-22110	E2746	131
56210-V0126	E3280	106	56210-W1627	●U3306	105	7210-22180	E2746	131
56210-V0126	●EL3280	106	56210-W1628	●Q3357	105	7210-22190	E2746	130
56210-V0127	3280	106	56210-W1628	U2622	105	7210-22200	E2746	130
56210-V0127	E3280	106	56210-W1628	●U3306	105	7210-22210	E2746	130, 131
56210-V0127	●EL3280	106	56210-W1685	●Q3357	105	7210-22220	E2746	131
56210-V0128	3280	106	56210-W1685	U2622	105	7210-22310	E2746	130, 131
56210-V0128	E3280	106	56210-W1685	●U3306	105	* 7210-22320	E2746	130, 131
56210-V0128	●EL3280	106	56210-W1686	●Q3357	105	7210-22340	E2746	131
56210-V0225	3280	106	56210-W1686	U2622	105	* 7210-22531	E2746	130, 131
56210-V0225	E3280	106	56210-W1686	●U3306	105	7210-22720	E2732	130
56210-V0225	●EL3280	106	56210-W1687	●Q3357	105	7210-22980	E2746	131
56210-V0226	3280	106	56210-W1687	U2622	105	7210-32064	●A2094	131
56210-V0226	E3280	106	56210-W1687	●U3306	105	7210-32064	●B2094	131
56210-V0226	●EL3280	106	56210-W1688	●Q3357	105	* 7210-32070	●A2031	130, 131
56210-V1427	3280	106	56210-W1688	U2622	105	* 7210-32070	S1066	130
56210-V1427	E3280	106	56210-W1688	●U3306	105	* 7210-32071	●A2031	130, 131
56210-V1427	●EL3280	106	56210-W2725	1144	105	7210-32080	S1066	130
* 56210-V5000	3356	107	56210-W2726	1144	105	* 7210-32081	●A2031	130, 131
* 56210-V5000	E3356	107	56210-W2727	1144	105	7210-32081	●A2101	131
56210-V5025	3356	107	56210-W2728	1144	105	* 7210-32090	●A2094	131
56210-V5025	E3356	107	* 56210-W2800	1144	105	* 7210-32090	●B2094	131
56210-V5025	●EL3356	107	* 56210-W2801	1144	105	* 7210-32091	●A2094	131
56210-V5026	3356	107	56210-W2825	1144	105	* 7210-32091	●B2094	131
56210-V5026	E3356	107	56210-W2826	1144	105	7210-32110	●A2031	130
56210-V5026	●EL3356	107	56210-W2827	1144	105	* 7210-32110	S1066	130
56210-V5050	3356	107	56210-W2828	1144	105	7210-32111	●A2031	131
56210-V5050	E3356	107	56210-W3825	●2700	105	* 7210-32120	S1066	130
56210-V5050	●EL3356	107	56210-W3826	●2700	105	7210-32130	S1066	130
* 56210-V50X5	3356	107	56210-W5000	●2293	116	* 7210-32131	S1066	130
* 56210-V5100	3356	107	56210-W5000	●G2293	116	* 7210-32240	●A2094	131
* 56210-V5100	E3356	107	56210-W5025	●2293	116	* 7210-32240	●B2094	131
56210-V5125	3356	107	56210-W5025	●G2293	116	* 7210-32241	●A2094	131
56210-V5125	E3356	107	56210-W5026	●2293	116	* 7210-32241	●B2094	131
56210-V5125	●EL3356	107	56210-W5026	●G2293	116	7210-32251	●A2031	131
* 56210-V5126	E3356	107	* 56210-W5100	●G2293	116	* 7210-32590	●A2094	131
* 56210-V5801	3356	107	* 56210-W5125	●G2293	116	* 7210-32590	●B2094	131
* 56210-V5801	E3356	107	56210-W6525	2518	116	7210-32710	A2067	130
56210-V5825	3356	107	56210-W6825	2518	116	7210-32730	●A2068	130
56210-V5825	E3356	107	* 56210-WF025	E2960	104, 113	7210-32730	●B2068	130
56210-V5825	●EL3356	107	56210-Y0125	3037	106	* 7211-06170	E2746	130, 131
* 56210-W1000	U2622	105, 111	56210-Y0125	E3435	106	* 7215-21000	●A2031	130, 131
56210-W1025	U2622	105	56210-Y0125	●EL3037	106	* 8134-28-281	2478	83
56210-W1025	●U3306	105	* 6-031-77070	6016	58, 59	8171-34-910	S1064	82
56210-W1026	U2622	105	6-031-7707-00	6016	58	8171-34-910A	S1064	82
56210-W1026	●U3306	105	6-031-7707-01	6016	58	8171-34-960	S1064	82
56210-W1027	U2622	105	6-031-7707-02	6016	58	8171-34-960A	S1064	82
56210-W1027	●U3306	105	6-031-7708-00	5029	58, 59	8171-49-790	S1064	82
56210-W1028	U2622	105	6-031-7708-01	5029	58, 59	8173-28-700	2316	82
56210-W1028	●U3306	105	6-031-7708-02	5029	58, 59	8173-28-700	E2316	82
* 56210-W1055	U2622	105, 111	6-031-7708-03	5029	58, 59	8173-28-700	●EL2316	82
56210-W1225	U2784	105	* 6-031-77090	6016	58, 59	8173-34-910	S1064	82
56210-W1225	●X2286	105	6-031-7709-01	6016	58	8173-34-910A	S1064	82
56210-W1226	U2784	105	* 6-071-48008	5032	58, 59, 60	8173-34-960	S1064	82
56210-W1226	●X2286	105	6-071-4800-80	5032	59	8173-34-960A	S1064	82
* 56210-W1400	U2784	105, 111, 112	6-071-4800-81	5032	58, 59	* 8173-99-281	E2316	82, 86
56210-W1425	U2784	105	6-071-4802-60	3256	58, 59	8218-28-700	2316	82
56210-W1425	●X2286	105	6-071-4802-63	3256	58	8218-28-700	E2316	82
56210-W1426	U2784	105	6-071-7800-80	5032	59	8218-28-700	●EL2316	82
56210-W1426	●X2286	105	6-071-7800-81	5032	59	* 8218-28-700A	E2316	82, 86
56210-W1427	U2784	105	* 65303-E6625	S3003	104, 105, 111, 115, 116	* 8218-99-281	E2316	82, 86
56210-W1427	●X2286	105	68531-69155	3375	168	* 8240-34-910	S1064	82
56210-W1428	U2784	105	68531-69155	E3375	168	* 8240-34-960	S1064	82
56210-W1428	●X2286	105	* 7210-07000	E2746	130, 131	8245-28-700	E2316	86
* 56210-W1450	U2784	105, 111, 112	* 7210-07040	E2746	130, 131	8245-28-700	●EL2316	86
* 56210-W1600	U2784	105, 111, 112	* 7210-07050	E2746	130, 131	8351-34-910	●S1032	83
56210-W1625	●Q3357	105	* 7210-07060	E2746	130, 131	8351-34-960	●S1032	83
56210-W1625	U2622	105	7210-07950	●E2897	130	* 8501-34-700	2092	
56210-W1625	●U3306	105	7210-09470	●B2068	130	8531-28-700	2478	83
56210-W1626	●Q3357	105	7210-22010	E2746	130	8531-28-700	●E2478	83

OEM NO.	TOKICO NO.	REF PAGE	OEM NO.	TOKICO NO.	REF PAGE	OEM NO.	TOKICO NO.	REF PAGE
8531-34-910	●S1032	83	8-94223-293-1	2619	72	8-94316-819-0	●2836	74
8531-34-960	●S1032	83	8-94223-293-1	2692	73	8-94316-820-0	2835	74
8531-99-281	2478	83	8-94223-293-1	E2619	72	8-94316-820-0	●2836	74
8531-99-281	●E2478	83	8-94223-293-1	●EL2619	72, 73	8-94318-701-0	E3518	74
8532-49-790	●S1032	83	8-94223-752-0	2618	72, 73	* 8-94363-049-0	2186	72
8545-28-700	E2316	86	8-94223-752-0	E2618	72	* 8-94363-131-0	E3496	74
8545-28-700	●EL2316	86	8-94223-752-0	●EL2618	72, 73	* 8-94374-440-3	E3708	74
8545-34-910	S1037	86	8-94224-099-1	●2617	73	* 8-94374-630-1	2619	72, 73, 175
8545-34-960	S1037	86	8-94224-099-1	●E2617	73	* 8-94374-635-3	E3735	74
8545-99-281	2316	86	8-94224-099-1	●EL2617	73	* 8-94382-320-0	3138	108, 109
8545-99-281	E2316	86	8-94226-583-0	3068	72	* 8-94382-322-0	3138	108, 109
8545-99-281	●EL2316	86	8-94226-583-0	E3344	72	* 8-94402-527-0	E1176	73
8565-28-700	2252	83	8-94226-583-0	●EL3344	72	8-94403-856-1	S4004	70
* 8565-99-281	2252	83, 88	8-94226-583-1	3068	72	8-94403-856-1	●Z4004	70
8572-34-790	S1061	83	8-94226-583-1	E3344	72	8-94403-857-1	S4004	70
8572-34-910	S1061	83	8-94226-583-1	●EL3344	72	8-94403-857-1	●Z4004	70
8572-34-960	S1061	83	* 8-94226-771-0	3317	72	8-94403-858-1	S4004	70
8595-34-910	S3050	86	* 8-94226-944-0	2204	72	8-94403-858-1	●Z4004	70
8595-34-910A	S3050	86	8-94226-944-0	2693	73	8-94403-859-1	S4004	70
8595-34-960	S3050	86	8-94226-944-0	E2693	73	8-94403-859-1	●Z4004	70
8595-34-960A	S3050	86	8-94226-971-0	3317	72	8-94403-860-2	S4004	70
8595-49-790	S3050	86	8-94232-382-0	SD1001	72	8-94403-860-2	●Z4004	70
8596-34-910	S3050	86	8-94235-473-0	2692	73	8-94403-861-2	S4004	70
8596-34-910A	S3050	86	* 8-94235-473-0	E2619	72, 73, 175	8-94403-861-2	●Z4004	70
8596-34-960	S3050	86	8-94235-473-0	●EL2619	73	8-94407-626-1	E1176	73
8596-34-960A	S3050	86	* 8-94237-384-0	E2619	72, 73, 175	8-94407-626-2	E1176	73
8596-49-790	S3050	86	8-94241-469-0	SD1001	72, 74	8-94408-137-0	E3435	74
* 8-94106-456-5	E1176	73	8-94241-469-1	SD1001	72, 74, 75	8-94408-137-0	●E3436	74
8-94108-598-2	S4002	70	8-94241-469-2	SD1001	72, 74	8-94408-138-0	E3435	74
8-94113-468-0	2768	72	8-94249-333-1	3169	71	8-94408-138-0	●E3436	74
* 8-94113-469-0	2861	74	8-94249-333-1	●EL3169	71	* 8-94411-114-0	E1176	73
* 8-94113-469-0	E2861	74, 121	8-94249-402-1	3178	71	8-94426-944-0	2619	72
8-94118-285-0	S4002	70	8-94249-402-1	3391	71	8-94426-944-0	E2619	72
8-94118-286-0	S4002	70	8-94251-417-0	2285	73	8-94426-944-0	●EL2619	72
8-94118-287-0	S4002	70	8-94251-417-0	●E2616	73	8-94428-697-0	E1176	73
8-94118-288-0	S4002	70	8-94251-417-0	●EL2616	73	8-94431-219-0	4029	71
8-94118-304-0	2751	70	8-94251-419-1	2285	73	* 8-94433-613-0	E1176	73
8-94118-304-0	●EL2751	70	8-94251-419-1	●E2616	73	8-94433-687-1	2864	74
8-94119-685-0	3166	71	8-94251-419-1	●EL2616	73	8-94433-687-2	2864	74
8-94124-547-0	2898	74	* 8-94251-421-0	2285	73	* 8-94433-687-2	E2794	87, 88
8-94124-548-0	2619	73	8-94251-421-1	2285	73	8-94433-688-1	2864	74
8-94124-548-0	E2619	73	8-94251-421-1	●E2616	73	* 8-94433-688-1	E2794	87, 88
8-94124-549-0	2619	73	8-94251-421-1	●EL2616	73	* 8-94433-692-2	2861	74
* 8-94124-549-0	2692	73	8-94251-423-1	2284	73	* 8-94433-693-2	2861	74
8-94124-549-0	E2619	73	8-94251-423-1	●E2617	73	* 8-94433-693-2	E2861	74, 121
* 8-94124-549-0	●EL2619	72, 73, 175	8-94251-423-1	●EL2617	73	* 8-94433-697-0	2861	74
* 8-94126-840-0	2814	110	* 8-94251-425-0	2284	73	* 8-94433-697-0	E2861	74, 121
8-94167-458-0	3169	71	8-94251-425-1	●2617	73	8-94433-697-1	2861	74
8-94167-458-0	●EL3169	71	8-94251-425-1	●E2617	73	8-94433-697-1	●2862	74
8-94167-458-1	3169	71	8-94251-425-1	●EL2617	73	8-94433-697-1	E2861	74
8-94167-458-1	●EL3169	71	* 8-94251-427-0	2284	73	* 8-94433-697-A	2861	74
8-94167-460-1	3178	73	8-94251-427-1	●2617	73	* 8-94433-697-A	E2861	74, 121
8-94167-460-1	3391	71	8-94251-427-1	●E2617	73	8-94438-651-1	3676	73, 74
8-94177-235-0	E1176	73	8-94251-427-1	●EL2617	73	8-94438-652-2	3677	74
8-94200-219-3	2284	73	8-94253-145-0	2285	73	8-94438-655-0	2835	73
8-94200-219-3	●E2617	73	8-94253-145-0	●E2616	73	8-94438-655-0	●2844	73
8-94200-219-3	●EL2617	73	8-94253-145-0	●EL2616	73	8-94438-655-1	2835	73
8-94203-209-1	2285	73	8-94253-147-0	2284	73	8-94438-655-1	●2844	73
8-94203-209-1	●E2616	73	8-94253-147-0	●E2617	73	8-94438-656-1	2835	74
8-94203-209-1	●EL2616	73	8-94253-147-0	●EL2617	73	8-94438-656-1	●2836	74
8-94207-076-0	2285	73	8-94254-321-2	2751	70	* 8-94438-659-0	2835	73, 74
8-94207-076-0	●E2616	73	8-94254-321-2	●EL2751	70	8-94438-659-0	●2845	73
8-94207-076-0	●EL2616	73	8-94254-334-2	S4002	70	* 8-94438-659-1	2835	73, 74
8-94213-238-0	2285	73	8-94254-335-2	S4002	70	8-94438-659-1	●2845	73
8-94213-238-0	●E2616	73	8-94254-355-2	S4002	70	8-94438-660-1	2835	74
8-94213-238-0	●EL2616	73	8-94254-615-0	2768	72	8-94438-660-1	●2836	74
8-94213-245-0	2284	73	8-94312-814-0	SD1009	72, 74	* 8-94439-902-0	E1176	73
8-94213-245-0	●E2617	73	8-94312-814-1	SD1009	72, 74	8-94440-038-1	3169	71
8-94213-245-0	●EL2617	73	8-94316-817-0	2835	74	8-94440-038-1	●EL3169	71
8-94222-020-0	2285	73	* 8-94316-817-0	●2844	74	* 8-94441-279-0	E1176	73
8-94222-020-0	●E2616	73	8-94316-818-0	2835	73, 74	8-94446-373-1	2865	74
8-94222-020-0	●EL2616	73	8-94316-818-0	●2845	74	8-94446-373-1	E2914	74
* 8-94223-164-1	E2619	72, 73, 175	8-94316-819-0	2835	74	8-94446-373-1	●EL2865	74

All items marked * are not shown on the contents of the catalogue. Written TOKICO No are just for your reference.

STOCK NO.

O.E.M. NO.

KIT

OEM NO.	TOKICO NO.	REF PAGE
* 8-94446-374-1	2865	74
* 8-94446-374-1	E2914	72, 74
8-94446-690-0	3169	71
8-94446-690-0	●EL3169	71
8-94468-290-1	3317	72
8-94449-663-0	E3518	74
8-94449-664-1	E3496	74
8-94449-665-1	E3496	74
8-94454-918-0	E2914	72
8-94454-918-2	2865	74
8-94454-918-2	E2914	72, 74
8-94454-918-2	●EL2865	74
8-94454-919-0	E2915	72
8-94454-919-2	E2915	72
8-94454-920-0	E3528	72
8-94454-920-2	E3528	72
8-94454-921-0	E3528	72
* 8-94454-921-2	E3528	72
8-94455-822-0	3068	72
8-94455-822-0	E3344	72
* 8-94462-077-0	E1176	73
* 8-94468-290-1	3317	72
8-94473-186-0	2861	74
8-94473-186-0	●2862	74
8-94473-186-0	E2861	74
8-94473-187-0	2861	74
8-94473-187-0	●2862	74
8-94473-187-0	E2861	74
8946-28-700	E2316	86
8946-28-700	●EL2316	86
8946-34-910	S3050	86
* 8946-99-281	E2316	82, 86
8947-28-700	E2316	86
8947-28-700	●EL2316	86
8947-99-281	E2316	86
8947-99-281	●EL2316	86
8961-99-281	E2291	86
8961-99-281	●EL2278	86
8961-99-281	●G2291	86
8-97012-317-1	E3573	75
* 8-97012-318-0	E3574	75
8-97012-618-2	SD1215	72
* 8-97012-618-3	SD1215	72
8-97014-042	E2618	73
8-97014-042-0	2618	73
8-97014-042-0	E2618	73
8-97014-043	E20001	73
* 8-97022-651-0	E2794	87, 88
* 8-97035-990-4	3138	108, 109
* 8-97035-992-3	3578	71
8-97039-319-1	E3708	74
* 8-97039-319-4	E3735	74
8-97039-320-1	E3708	74
* 8-97039-320-3	E3735	74
* 8-97039-321-6	E3735	74
8-97039-322-1	E3495	74
* 8-97039-322-2	E3495	74
* 8-97039-324-3	E3567	74
* 8-97043-306-2	E3495	74
8-97043-816-1	E3708	74
8-97043-816-1	E3735	74
8-97043-816-2	E3735	74
8-97043-816-3	E3735	74
8-97043-816-4	E3735	74
8-97043-817-0	E3567	74
8-97043-817-1	E3567	74
8-97043-817-1	E3793	74
8-97043-817-2	E3567	74
8-97043-817-2	E3793	74
8-97043-818-2	E3793	74
8-97043-828-1	E3793	74
* 8-97048-437-4	3576	71
* 8-97083-027-0	4029	71, 73

OEM NO.	TOKICO NO.	REF PAGE
8-97083-035-0	4117	72
* 8-97086-547-0	2861	74
* 8-97094-835-1	3138	108, 109
* 8-97107-900-3	E3708	74
8-97107-985-0	3537	71
8-97107-986-0	3578	71
8-97109-633-0	2619	73
8-97109-633-0	E2619	73
8-97113-500-2	E3735	74
8-97113-500-3	E3735	74
* 8-97120-017-0	2619	72, 73, 175
* 8-97120-036-1	E3708	74
* 8-97148-913-0	3138	108, 109
* 8-97160-079-0	3138	108, 109
* 8-97160-08-10	3169	70, 71, 73
8-97161-106-0	SD1009	72, 74
* 8-97178-162-0	E3574	75
8-97178-162-1	E3574	75
* 8-97183-160-0	3575	72
* 8-97188-326-0	E2915	72, 121
* 8-97188-327-0	E3528	72
8-97188-418-0	E2915	72
8-97236-299-0	U3776	70
* 8-97244-955-3	U3776	70
* 8-97244-955-4	U3776	70
8-97251-556-2	E3778	70
* 8-97253-588-0	3794	71
* 8-97253-591-0	3794	71
8-97253-592-0	3794	71
* 8-97253-594-0	3138	108, 109
* 8-97253-595-0	3138	108, 109
* 8-97253-597-0	3138	108, 109
* 8-97253-598-0	3537	71
8-97253-599-0	3577	71
* 8-97253-603-0	3138	108, 109
* 8-97253-605-0	3138	108, 109
8-97253-609-0	3169	70, 71, 73
8-97253-609-0	●EL3169	70, 71, 73
* 8-97253-610-0	3138	108, 109
* 8-97253-611-0	3537	71
* 8-97253-612-0	3138	108, 109
* 8-97253-613-0	3537	71
* 8-97253-614-0	3138	108, 109
* 8-97253-615-0	3138	108, 109
* 8-97253-616-0	3575	72
8-97253-617-0	3575	72
* 8-97253-633-0	3178	71, 73
* 8-97253-634-0	3178	71, 73
* 8-97253-635-0	3178	71, 73
* 8-97253-636-0	3404	163
* 8-97253-637-0	3404	163
* 8-97253-638-0	3404	163
* 8-97253-639-0	3365	163
8-97253-641-0	3578	71
* 8-97253-642-0	3391	70, 71
* 8-97253-645-0	3576	71
* 8-97253-647-0	3576	71
8-97253-648-0	3576	71
* 8-97253-650-0	3576	71
8-97253-651-0	3576	71
* 8-97253-652-0	3576	71
* 8-97253-653-0	3576	71
* 8-97253-654-0	3576	71
* 8-97253-655-0	3576	71
* 8-97253-656-0	3578	71
* 8-97253-657-0	3068	71, 72
8-97253-658-0	3165	70
8-97253-658-0	3166	71
8-97253-658-0	●EL3165	70
* 8-97253-660-0	3391	70, 71
* 8-97253-664-0	3576	71
* 8-97253-665-0	3576	71
* 8-97260-214-0	3537	71

OEM NO.	TOKICO NO.	REF PAGE
8-97301-842-4	E3779	70
8-97301-843-4	E3777	70
* 8-97304-751-0	E3495	74
* 8-97304-753-0	E3567	74
* 8-97305-375-0	3576	71
* 8-97309-848-0	3576	71
* 8-97324-909-0	3576	71
8-97361-711-0	E3779	70
8-97368-596-0	E3778	70
8-97368-597-0	E3778	70
8-97368-598-0	E3777	70
8-97368-599-0	E3779	70
8-97368-600-0	E3777	70
8-97368-601-0	E3779	70
8-97368-603-0	E3779	70
8-97371-613-0	E3779	70
8-97371-639-0	E3778	70
8-97371-639-1	E3778	70
* 8-97371-749-0	U3776	70
8-97372-286-0	E3778	70
8-97372-287-0	E3778	70
* 8-97373-870-1	3576	71
8-97940-815-3	E3778	70
8-97940-844-4	E3779	70
8-97940-845-4	E3777	70
8-97955-175-0	E2618	73
8-97955-176-0	E20001	73
8-97956-186	E2618	73
8-97956-187	E20001	73
* 8-98018-780-0	3068	71, 72
* 8-98079-868-0	3576	71
* 8-98080-129-0	3575	72
* 8-98080-130-0	3575	72
* 8-98085-709-0	3138	108, 109
* 8AS1-28-700	2186	82, 86
* 8AS1-28-700	E2186	82, 86
8AU1-28-700	2795	88
8AU1-28-700	E2795	88
* 8AU1-28-700A	2795	87, 88, 89
* 8AU1-28-700A	E2795	87, 88
* 9134-99-281	2478	83
* 9-51630-003-0	2092	
9-51630-041-0	3391	71
9-51630-060-0	3169	71
9-51630-060-0	●EL3169	71
9-51630-060-1	3169	70
9-51630-060-1	●EL3169	70
* 9-51630-117-0	●6008	70
* 9-51630-128-0	2204	72
* 9-51630-128-0	E2693	72, 73
9-51630-171-0	3024	74
9-51630-172-0	3025	74
9-51630-177-0	4002	70
9-51630-178-0	3148	74
* 9-51630-233-0	4020	73, 74, 75
9-51630-237-0	4002	70
9-51630-249-0	3169	71
9-51630-249-0	●EL3169	71
9-51630-253-0	4018	70
9-51630-253-1	4018	70, 71
9-51630-253-2	4018	71
9-51630-268-0	●6008	70
* 9-51630-283-0	4020	73, 74, 75
9-51630-286-0	5016	70, 74
9-51630-294-0	3169	71
9-51630-294-0	●EL3169	71
9-51630-295-0	3068	71
9-51630-295-0	E3344	71
9-51630-295-0	●EL3344	71
9-51630-300-0	3165	70, 71
9-51630-300-0	●EL3165	70, 71
9-51630-309-0	3169	71
9-51630-309-0	●EL3169	71

OEM NO.	TOKICO NO.	REF PAGE	OEM NO.	TOKICO NO.	REF PAGE	OEM NO.	TOKICO NO.	REF PAGE
9-51630-310-0	3068	71	* A103363	2048	93, 95, 96, 98	B048-28-900	●B1028	83, 86
9-51630-310-0	E3344	71	* A103363	E2048	93, 95, 96, 98	B092-28-700	A1048	85
9-51630-310-0	●EL3169	71	* A103364	2048	93, 95, 96, 98	B092-28-700	●B1048	85
* 9-51630-311-0	2092		* A103364	E2048	93, 95, 96, 98	B092-28-700B	A1048	85
9-51630-321-0	3169	70, 71	* A122635	2048	93, 95, 96, 98	B092-28-700B	●B1048	85
9-51630-321-0	●EL3169	70, 71	* A122635	E2048	93, 95, 96, 98	B092-28-700C	A1048	85
9-51630-322-0	3166	71	* A150680	S3006	93, 94, 96, 98, 99	B092-28-700C	●B1048	85
* 9-51630-324-0	3024	74	* A150681	S3006	93, 94, 96, 98, 99	B092-28-700D	A1048	85
9-51630-338-0	4020	73, 74, 75	* A150682	S3006	93, 94, 96, 98, 99	B092-28-700D	●B1048	85
9-51630-339-0	4002	70, 73, 75	A151096	●2274	93	* B092-28-700G	A1048	85
9-51630-342-0	●6008	70	A151096	●E2274	93	B092-28-900	A1049	85
* 9-51630-364-0	6020	74	A151107	2048	93	B092-28-900	●B1049	85
* 9-51630-365-0	6020	74	A151107	E2048	93	B092-28-900B	A1049	85
9-51630-370-0	●6023	70	A151108	●2274	93	B092-28-900B	●B1049	85
9-51630-374-0	5016	70, 74	A151108	●E2274	93	B092-28-900C	A1049	85
9-51630-377-0	6020	74	* A151244	●2274	93	B092-28-900C	●B1049	85
9-51630-378-0	5019	74	* A204206	3260	92	B092-28-900D	A1049	85
9-51630-387-0	●6008	70	* A204246	3178	92, 93, 95, 100	B092-28-900D	●B1049	85
9-51630-388-0	●6023	70	* A204246	E3178	92, 93, 95	* B092-28-900G	A1049	85
9-51630-391-0	3148	74	* A204247	3178	92, 93, 95, 100	B092-34-700	A2083	85
* 9-51630-601-0	2092		* A204247	E3178	92, 93, 95	B092-34-700	●B2083	85
9-51630-631-0	3169	71	* A410923	E2048	93, 95, 96, 98	* B092-34-700B	A2083	85, 86
9-51630-631-0	●EL3169	71	* A420522	1044	99	B092-34-900	A2084	85
9-51630-647-0	4029	71	* A430645	1044	99	B092-34-900	●B2084	85
9-51630-647-1	4029	71, 73	* A431175	1028	99	* B092-34-900B	A2084	85, 86
9-51630-659-0	2204	72	* B001-28-700	A1027	83, 86	B092-28-700	A2085	85
9-51630-659-0	E2693	72	B001-28-700C	A1027	83	B092-28-700	●B2085	85
9-51630-659-0	●EL2204	72	B001-28-700C	●B1027	83	B092-28-700A	A2085	85
* 9-51630-659-1	2204	72	* B001-28-700E	A1027	83, 86	B092-28-700A	●B2085	85
* 9-51630-659-1	E2693	72, 73	B001-28-900C	A1028	83	B092-28-700A	●B2085	85
* 9-51630-659-2	2204	72	B001-28-900C	●B1028	83	B092-28-700B	●B2085	85
* 9-51630-659-2	E2693	72, 73	* B001-28-900E	A1028	83, 86	B092-28-700B	●B2085	85
9-51630-659-3	2204	72	B001-34-700B	A2029	83	B092-28-700C	A2085	85
9-51630-659-3	E2693	72	B001-34-700B	●B2029	83	B092-28-700C	●B2085	85
9-51630-659-3	●EL2204	72	B001-34-700C	A2029	83, 86	B092-28-700D	A2085	85
9-51630-660-0	3068	72	B001-34-700C	●B2029	83, 86	B092-28-700D	●B2085	85
9-51630-660-0	3165	70	B001-34-900B	A2030	83	* B092-28-700F	A2085	85
9-51630-660-0	E3344	72	B001-34-900B	●B2030	83	B092-28-900	A2086	85
9-51630-660-0	●EL3165	70	B001-34-900C	A2030	83, 86	B092-28-900	●B2086	85
9-51630-660-0	●EL3344	72	B001-34-900C	●B2030	83, 86	B092-28-900A	A2086	85
9-51630-661-0	3165	70	B01C-28-700	A3151	84, 85	B092-28-900A	●B2086	85
9-51630-661-0	3166	71, 73	B01C-28-900	A3152	84, 85	B092-28-900B	A2086	85
9-51630-661-0	●EL3165	70	B01C-34-700	B3198	84, 85	B092-28-900B	●B2086	85
* 9-51630-663-0	3024	74	B01C-34-900	B3199	85	B092-28-900C	A2086	85
9-51630-665-0	3169	70, 71	B01D-28-700	B3216	84, 85	B092-28-900C	●B2086	85
9-51630-665-0	●EL3169	70, 71	* B01D-28-700B	A3151	84, 85	B092-28-900D	A2086	85
9-51630-665-1	3169	70, 71	B01D-28-900	B3217	84, 85	B092-28-900D	●B2086	85
9-51630-665-1	●EL3169	70, 71	* B01D-28-900B	A3152	84, 85	* B092-28-900F	A2086	85
9-51630-665-2	3169	71	B01D-34-700	B3202	84, 85	B092-34-700	A2083	85
9-51630-665-2	●EL3169	71	B01D-34-900	B3203	84, 85	B092-34-700	●B2083	85
9-51630-665-3	3169	71	B01E-34-700	B3202	84	* B092-34-700B	A2083	85, 86
9-51630-665-3	●EL3169	71	B01E-34-900	B3203	84	B092-34-700B	●B2083	84
9-51630-666-0	3165	70, 71, 73	B029-28-700C	A1027	83	* B092-34-700C	A2083	85, 86
9-51630-666-0	3391	70	B029-28-700C	●B1027	83	B092-34-900	A2084	85
9-51630-666-0	●EL3165	70, 71, 73	B029-28-900C	A1028	83	B092-34-900	●B2084	85
9-51630-671-0	3178	73	B029-28-900C	●B1028	83	* B092-34-900B	A2084	85, 86
9-51630-671-0	3391	71	B029-34-700B	A2029	83	B092-34-900B	●B2084	84
* 9-51630-674-0	2204	72	B029-34-700B	●B2029	83	* B092-34-900C	A2084	85, 86
* 9-51630-674-0	E2693	72, 73	B029-34-700C	A2029	83, 86	* B16G-34-700A	B2202	84
9-51630-674-1	2204	72	B029-34-700C	●B2029	83, 86	* B16G-34-900A	B2203	84
9-51630-674-1	E2693	72	B029-34-900B	A2030	83	B17R-28-700	B3216	84
9-51630-674-1	●EL2204	72	B029-34-900B	●B2030	83	B17R-28-900	B3217	84
9-51630-674-2	2204	72	B029-34-900C	A2030	83, 86	B17T-34-700	B3202	84
9-51630-674-2	E2693	72	B029-34-900C	●B2030	83, 86	B180-34-700	B3203	84
9-51630-674-2	●EL2204	72	B037-28-700	A1027	83, 86	B180-34-700	A2083	85
9-51630-675-1	3068	72	B037-28-700	●B1027	83, 86	B180-34-700	●B2083	85
9-51630-675-1	E3344	72	B037-28-900	A1028	83, 86	* B180-34-700B	A2083	85, 86
9-51630-675-1	●EL3344	72	B037-28-900	●B1028	83, 86	B180-34-900	A2084	85
* 9-87043-816-2	E3735	74	* B048-26-700	A1027	83, 86	B180-34-900	●B2084	85
* 9-87043-816-3	E3735	74	* B048-26-700	●B1027	83, 86	* B180-34-900B	A2084	85, 86
* 9-87043-816-4	E3735	74	* B048-28-700	A1027	83, 86	* B222-34-700	A2083	85, 86
* A094344027	B3285	172, 173	B048-28-700	●B1027	83, 86	* B222-34-700B	A2083	85, 86
* A094344028	B3286	172, 173	B048-28-900	A1028	83, 86	* B222-34-900	A2084	85, 86
						* B222-34-900B	A2084	85, 86

All items marked * are not shown on the contents of the catalogue. Written TOKICO No are just for your reference.

STOCK NO.

O.E.M NO.

KIT

OEM NO.	TOKICO NO.	REF PAGE	OEM NO.	TOKICO NO.	REF PAGE	OEM NO.	TOKICO NO.	REF PAGE
* B25D-28-700G	B2240	85	B625-28-700A	A2138	84	BC8W-28-700	A2206	84
* B25D-28-900G	B2241	85	B625-28-700A	B2138	84	BC8W-28-700	B2206	84
B25P-28-700C	B2240	85	B625-28-900A	A2139	84	* BC8W-28-700B	B2206	84
B25P-28-900G	B2241	85	B625-28-900A	B2139	84	BC8W-28-900	A2207	84
* B260-28-700	A2085	85	B625-34-700A	A2136	84	BC8W-28-900	B2207	84
* B260-28-700B	A2085	85	B625-34-700A	B2136	84	* BC8W-28-900B	B2207	84
* B260-28-900	A2086	85	B625-34-700B	A2136	84	* BC8W-34-700F	B2202	84
* B260-28-900B	A2086	85	B625-34-700B	B2136	84	* BC8W-34-900F	B2203	84
B260-34-700	A2083	85	B625-34-900A	A2137	84	BG62-28-700	A1056	86
B260-34-700	●B2083	85	B625-34-900A	B2137	84	BG62-28-900	A1057	86
B260-34-900	A2084	85	B625-34-900B	A2137	84	* BH2L-34-700A	A2175	84
B260-34-900	●B2084	85	B625-34-900B	B2137	84	* BH2L-34-900A	A2176	84
* B26R-28-700E	B2240	85	B629-28-700A	A2138	84	* BH2M-34-700A	A2175	84
B26R-28-700G	B2240	85	B629-28-700A	B2138	84	* BH2M-34-900A	A2176	84
* B26R-28-900E	B2241	85	B629-28-900A	A2139	84	* BJ3D-28-700D	B2240	85
B26R-28-900G	B2241	85	B629-28-900A	B2139	84	BJ3D-28-700E	B2240	85
B28V-28-700A	B2240	85	B629-34-700A	A2136	84	* BJ3D-28-900D	B2241	85
B28V-28-900A	B2241	85	B629-34-700A	B2136	84	BJ3D-28-900E	B2241	85
* B2HK-28-700	B2192	84	B629-34-900A	A2137	84	BK2H-28-700	B2240	85
* B2HK-28-900	B2193	84	B629-34-900A	B2137	84	BK2H-28-900	B2241	85
B30D-28-700A	B2240	85	B655-34-700A	A2136	84	* BK2J-28-700E	B2238	85
B30D-28-900A	B2241	85	B655-34-700A	B2136	84	BK2J-28-700G	B2238	85
B30H-28-700B	B2240	85	B655-34-900A	A2137	84	* BK2J-28-900E	B2239	85
B30H-28-900B	B2241	85	B655-34-900A	B2137	84	BK2J-28-900G	B2239	85
B30P-28-700A	B2240	85	B698-28-700	A2284	84	BK73-28-700	B2240	85
B30P-28-700B	B2240	85	B698-28-900	A2285	84	BK73-28-900	B2241	85
B30P-28-900A	B2241	85	BB1P-28-700	A2138	84	BL5P-28-700	B2238	85
B30P-28-900B	B2241	85	BB1P-28-700	B2138	84	BL5P-28-900	B2239	85
B34H-28-700	B2240	85	* BB1P-28-700A	A2138	83, 84	BL8P-28-700A	B2240	85
B34H-28-900	B2241	85	* BB1P-28-700A	B2138	83, 84	BL8P-28-900A	B2241	85
B455-28-700	A2138	83, 84	BB1P-28-900	A2139	84	BR70-28-700	A2138	84
B455-28-700	B2138	83, 84	BB1P-28-900	B2139	84	BR70-28-700	B2138	84
B455-28-900	A2139	83, 84	* BB1P-28-900A	A2139	83, 84	* BR70-28-700A	A2138	83, 84
B455-28-900	B2139	83, 84	* BB1P-28-900A	B2139	83, 84	* BR70-28-700A	B2138	83, 84
B455-34-700D	A2136	83	BB2L-34-700B	●B2167	84	BR70-28-900A	A2139	84
B455-34-700D	B2136	83	BB2L-34-900B	●B2168	84	BR70-28-900A	B2139	84
* B455-34-700E	A2136	83, 84	BC01-34-900	B3199	84	BR70-34-700	A2136	84
* B455-34-700E	B2136	83, 84	BC1D-34-700A	A2175	84	BR70-34-700	B2136	84
B455-34-900D	A2137	83	BC1D-34-900A	A2176	84	BR70-34-700D	A2136	84
B455-34-900D	B2137	83	BC1E-28-700A	B2192	84	BR70-34-700D	B2136	84
* B455-34-900E	A2137	83, 84	BC1E-28-700D	B2192	84	BR70-34-700E	A2136	84
* B455-34-900E	B2137	83, 84	BC1E-28-900A	B2193	84	BR70-34-700E	B2136	84
* B459-28-700	A2138	83, 84	BC1E-28-900D	B2193	84	* BR70-34-700F	A2136	83, 84
* B459-28-700	B2138	83, 84	* BC1E-34-700	B2190	84	BR70-34-900	A2137	84
B459-28-700A	A2138	84	BC1E-34-700A	B2190	84	BR70-34-900	B2137	84
B459-28-700A	B2138	84	* BC1E-34-700B	B2190	84	BR70-34-900D	A2137	84
* B459-28-900	A2139	83, 84	BC1E-34-700F	B2190	84	BR70-34-900D	B2137	84
* B459-28-900	B2139	83, 84	* BC1E-34-900	B2191	84	BR70-34-900E	A2137	84
B459-28-900A	A2139	84	BC1E-34-900A	B2191	84	BR70-34-900E	B2137	84
B459-28-900A	B2139	84	* BC1E-34-900B	B2191	84	* BR70-34-900F	A2137	83, 84
B459-34-700D	A2136	84	BC1E-34-900F	B2191	84	BS06-28-700	A2196	84
B459-34-700D	B2136	84	BC1F-28-700A	A2204	84	BS06-28-700	●B2196	84
B459-34-900D	A2137	84	BC1F-28-900A	A2205	84	BS06-28-900	A2197	84
B459-34-900D	B2137	84	BC1F-34-700	A2175	84	BS06-28-900	●B2197	84
* B481-34-700E	●B2167	84	* BC1F-34-700	B2190	84	* BS34-34-700C	●B2167	84
* B481-34-900E	●B2168	84	BC1F-34-700A	A2175	84	* BS34-34-900C	●B2168	84
* B483-34-700E	●B2167	84	BC1F-34-900	A2176	84	BT8S-34-700A	A2083	86
* B483-34-900E	●B2168	84	* BC1F-34-900	B2191	84	BT8S-34-900A	A2084	86
B528-28-700	A2284	84	BC1F-34-900A	A2176	84	* BVAP-28-700	B2206	84
B528-28-900	A2285	84	* BC1G-28-700D	B2192	84	* BVAP-28-900	B2207	84
* B530-28-700	A2175	84	* BC1G-28-900D	B2193	84	* BVBC-34-700A	A2202	84
B530-28-700	A2284	84	BC1G-34-700	B2190	84	* BVBC-34-900A	A2203	84
* B530-28-900	A2176	84	* BC1G-34-700A	B2190	84	* BVBE-34-700A	A2202	84
B530-28-900	A2285	84	BC1G-34-700F	B2190	84	* BVBE-34-900A	A2203	84
B531-28-700A	A2284	84	BC1G-34-900	B2191	84	BVD5-34-700	A2136	84
B531-28-700B	A2284	84	* BC1G-34-900A	B2191	84	BVD5-34-700	B2136	84
B531-28-900A	A2285	84	BC1G-34-900F	B2191	84	BVD5-34-900	A2137	84
B531-28-900B	A2285	84	BC1H-28-700B	B2192	84	BVD5-34-900	B2137	84
B603-28-700A	A2138	84	BC1H-28-900B	B2193	84	* BVJE-28-700	B2238	85
B603-28-700A	B2138	84	* BC6L-28-700	B2206	84	* BVJE-28-900	B2239	85
B603-28-900A	A2139	84	* BC6L-28-900	B2207	84	BVLE-28-700	B2238	85
B603-28-900A	B2139	84	* BC6V-28-700A	B2192	84	BVLE-28-900	B2239	85
* B625-28-7004	A2138	83, 84	* BC6V-28-900A	B2193	84	BVT5-34-700H	A2202	84

OEM NO.	TOKICO NO.	REF PAGE	OEM NO.	TOKICO NO.	REF PAGE	OEM NO.	TOKICO NO.	REF PAGE
BVT5-34-700H	B2202	84	* E001-28-900	A2086	85	E6110-EB71B	U3813	112
BVT5-34-900H	A2203	84	* E001-28-900B	A2086	85	* E6110-VL00A	2219	109, 110
BVT5-34-900H	B2203	84	E026-34-700	●A2163	88	E6200-EB70C	E3815	112
* BVT6-34-700A	B2202	84	E026-34-700	B2177	88	E6200-EB70D	E3817	112
* BVT6-34-900A	B2203	84	* E026-34-700	B2178	88	E6200-EB71A	E3816	112
BVW2-28-700D	A2206	84	E026-34-700D	●A2163	88	E6200-EB71D	E3816	112
BVW2-28-700D	B2206	84	E026-34-700D	B2177	88	* E6203-01B27	Q1164	112
BVW2-28-900D	A2207	84	* E026-34-700D	B2178	88	* E6210-5Y025	U2972	108
BVW2-28-900D	B2207	84	E026-34-900	●A2164	88	* E6210-6Y325	U2972	108
* BVW3-28-700A	B2206	84	* E026-34-900	B2177	88	* EA01-34-700D	B2177	88
* BVW3-28-900A	B2207	84	E026-34-900	B2178	88	* EA01-34-900D	B2178	88
BW1N-28-700	A2138	84	E026-34-900D	●A2164	88	* EA02-34-700D	B2177	88
BW1N-28-700	B2138	84	* E026-34-900D	B2177	88	* EA02-34-900D	B2178	88
BW1N-28-900	A2139	84	E026-34-900D	B2178	88	EA07-34-700B	●A2163	88
BW1N-28-900	B2139	84	E112-28-700D	E3790	89	EA07-34-700B	B2177	88
* C001-34-700C	B3149	82, 83	E112-34-700A	B3247	89	* EA07-34-700B	B2178	88
* C001-34-900C	B3150	82, 83	E112-34-900A	B3248	89	* EA07-34-700D	B2177	88
C100-28-700	B3269	88	E114-28-700F	E3790	89	EA07-34-900B	●A2164	88
C100-28-700B	B3269	88	E114-34-700D	B3247	89	* EA07-34-900B	B2177	88
C100-28-900	B3270	88	E114-34-900D	B3248	89	EA07-34-900B	B2178	88
C100-28-900B	B3270	88	E115-28-700D	E3790	89	* EA07-34-900D	B2178	88
* C104-28-700A	B3269	88	E115-34-700A	B3247	89	* EC01-28-700K	E3790	89
* C104-28-900A	B3270	88	E115-34-900A	B3248	89	* EC01-34-700H	B3247	89
C145-28-700	B3269	88	* E116-28-700B	E3790	89	* EC01-34-900H	B3248	89
* C145-28-700A	B3269	88	E116-28-700C	E3790	89	* EC06-28-700E	E3790	89
C145-28-700AL3	B3269	88	E116-34-700A	B3247	89	* EC06-34-700H	B3247	89
C145-28-700AL3	B3270	88	E116-34-900A	B3248	89	* EC06-34-900H	B3248	89
C145-28-900	B3270	88	E181-28-700B	E3790	89	ED61-28-700A	E3790	89
* C145-28-900A	B3270	88	E181-34-700B	B3249	89	* ED61-34-700	B3247	89
* C153-28-700	B3269	88	E181-34-900B	B3250	89	* ED61-34-900	B3248	89
* C153-28-900	B3270	88	E183-34-700B	B3249	89	* EG21-34-700A	B3263	83
* C176-28-700A	B3269	88	E183-34-900B	B3250	89	EG21-34-700B	B3263	83
* C194-28-700A	B3269	88	E187-34-700A	B3249	89	* EG21-34-900A	B3264	83
* C194-28-900A	B3270	88	E187-34-900A	B3250	89	EG21-34-900B	B3264	83
CA35-34-700A	A3098	83	E4302-1A20A	B2263	115	* EG23-34-700	B3263	83
CA35-34-700A	B3149	83	E4302-1A20C	B2263	115	EG23-34-700A	B3263	83
CA35-34-700B	A3098	83	E4302-1A21A	B2265	115	* EG23-34-900	B3264	83
CA35-34-700B	B3149	83	E4302-1A21C	B2265	115	EG23-34-900A	B3264	83
CA35-34-900A	A3099	83	* E4302-1GK0A	B2263	115	EH14-34-700	B3263	83
CA35-34-900A	B3150	83	* E4302-2Y985	B3228	108	EH14-34-900	B3264	83
CA35-34-900B	A3099	83	* E4302-2Y988	B3230	108	ET16-34-700	B3247	89
CA35-34-900B	B3150	83	* E4302-2Y988LB	B3230	108	ET16-34-900	B3248	89
CB01-28-700	B3269	88	* E4302-41B85	B1093	112	ET32-34-700	B3247	89
CB01-28-700A	B3269	88	* E4302-41B86	B1093	112	ET32-34-900	B3248	89
CB01-28-900	B3270	88	* E4302-6Y325	B3230	108	ET74-34-700	B3249	89
CB01-28-900A	B3270	88	E4302-CY00B	B2263	115	ET74-34-900	B3250	89
CB80-28-700	B3269	88	E4302-CY025	B2263	115	G030-28-700B	A2060	82
* CC11-28-700A	B3269	88	E4302-CY10B	B2265	115	* G030-28-700B	A2061	82
* CC11-28-900A	B3270	88	E4302-EN00A	B2273	110	G030-28-700B	●B2060	82
D651-34-700	B2282	83	E4302-EN10A	B2275	110	G030-28-700D	A2060	82
D651-34-700A	B2282	83	E4303-1A20A	B2264	115	G030-28-700D	●B2060	82
D651-34-700B	B2282	83	E4303-1A20C	B2264	115	G030-28-700E	A2060	82
D651-34-700C	B2282	83	E4303-1A21A	B2266	115	G030-28-700E	●B2060	82
D651-34-700D	B2282	83	E4303-1A21C	B2266	115	G030-28-900A	A2061	82
D651-34-700E	B2282	83	* E4303-1GK0A	B2264	115	G030-28-900A	●B2061	82
D651-34-900	B2283	83	* E4303-2Y985	B3229	108	G030-28-900B	A2061	82
D651-34-900A	B2283	83	* E4303-2Y988	B3231	108	G030-28-900B	●B2061	82
D651-34-900B	B2283	83	* E4303-2Y988LB	B3231	108	G030-28-900D	A2061	82
D651-34-900C	B2283	83	* E4303-41B85	B1094	112	G030-28-900D	●B2061	82
D651-34-900D	B2283	83	* E4303-41B86	B1094	112	G030-34-700C	A2058	82
D651-34-900E	B2283	83	* E4303-6Y325	B3231	108	G030-34-700C	●B2058	82
DF71-34-700B	B2282	83	E4303-CY00B	B2264	115	G030-34-700D	A2058	82
DF71-34-700C	B2282	83	E4303-CY025	B2264	115	G030-34-700D	●B2058	82
DF71-34-700D	B2282	83	E4303-CY10B	B2266	115	G030-34-900C	A2059	82
DF71-34-700E	B2282	83	E4303-EN00A	B2274	110	G030-34-900C	●B2059	82
DF71-34-700F	B2282	83	E4303-EN10A	B2276	110	G030-34-900D	A2059	82
DF71-34-900B	B2283	83	E4C02-EN00A	B2273	110	G030-34-900D	●B2059	82
DF71-34-900C	B2283	83	E4C02-EN10A	B2275	110	* G041-28-700C	A2060	82
DF71-34-900D	B2283	83	E4C03-EN00A	B2274	110	* G041-28-700C	A2061	82
DF71-34-900E	B2283	83	E4C03-EN10A	B2276	110	G041-28-700E	A2060	82
DF71-34-900F	B2283	83	E6110-EB70B	U3813	112	G041-28-700E	●B2060	82
* E001-28-700	A2085	85	E6110-EB70B	U3814	112	G041-34-700C	A2058	82
* E001-28-700B	A2085	85	E6110-EB71A	U3813	112	G041-34-700C	●B2058	82

All items marked * are not shown on the contents of the catalogue. Written TOKICO No are just for your reference.

STOCK NO.

O.E.M. NO.

KIT

OEM NO.	TOKICO NO.	REF PAGE	OEM NO.	TOKICO NO.	REF PAGE	OEM NO.	TOKICO NO.	REF PAGE
G041-34-700D	A2058	82	G25S-34-700E	U3758	87	GK2A-28-700C	E3760	87
G041-34-700D	●B2058	82	G25S-34-900C	U3759	87	GK2A-34-700G	U3758	87
G041-34-900A	A2061	82	G25S-34-900D	U3759	87	GK2A-34-900H	U3759	87
G041-34-900A	●B2061	82	G25S-34-900E	U3759	87	GK2C-28-700D	E3760	87
G041-34-900C	A2059	82	GA2B-34-700A	B3141	88	GK2C-34-700G	U3758	87
G041-34-900C	●B2059	82	GA2B-34-900A	B3142	88	GK2C-34-700J	U3758	87
G041-34-900D	A2059	82	GA2K-28-700B	A3080	88	GK2C-34-900H	U3759	87
G041-34-900D	●B2059	82	GA2K-28-700B	B3080	88	GK2C-34-900K	U3759	87
G04S-34-700	A3098	82	GA2K-34-700A	A3078	88	GM6A-28-700A	E3760	87
G04S-34-700	B3149	82	GA2K-34-700A	B3078	88	GM9A-28-700B	E3760	87
G04S-34-900	A3099	82	GA2K-34-900A	A3079	88	GM9A-34-700A	U3758	87
G04S-34-900	B3150	82	GA2K-34-900A	B3079	88	GM9A-34-700C	U3758	87
* G068-28-700A	A2060	82	* GA5R-28-700E	B3080	88	GM9A-34-700D	U3758	87
* G068-28-900A	A2061	82	* GA8L-28-700C	A3080	88	GM9A-34-900A	U3759	87
G148-28-700A	A2060	82	* GA8L-28-700C	B3080	88	GM9A-34-900C	U3759	87
G148-28-700A	●B2060	82	* GA8L-28-700F	B3080	88	GM9A-34-900D	U3759	87
G148-28-900A	A2061	82	GA8N-34-700	A3098	82	GM9C-28-700A	E3760	87
G148-28-900A	●B2061	82	GA8N-34-700	B3149	82	GM9C-34-700A	U3758	87
* G148-34-700A	A2058	82	GA8N-34-900	A3099	82	GM9C-34-700C	U3758	87
G148-34-700B	A2058	82	GA8N-34-900	B3150	82	GM9C-34-700D	U3758	87
G148-34-700B	●B2058	82	GC5D-34-700A	B3141	88	GM9C-34-900A	U3759	87
* G148-34-900A	A2059	82	GC5D-34-900A	B3142	88	GM9C-34-900C	U3759	87
G148-34-900B	A2059	82	* GC5J-34-700A	B3078	88	GM9C-34-900D	U3759	87
G148-34-900B	●B2059	82	* GC5J-34-900A	B3079	88	* GMC3-49-00D	U3759	87
G14F-34-700A	B3275	82	GE4T-28-700A	B3196	83	* GR1L-34-700	U3758	87
G14F-34-900A	B3276	82	GE4T-28-900A	B3197	83	* GR1L-34-900	U3759	87
* G14H-28-700	B3196	82, 83, 88	GE4T-34-700A	B3273	83	H001-28-700B	U3341	86
* G14H-28-900	B3197	82, 83, 88	GE4T-34-900A	B3274	83	H001-28-700C	U3341	86
G14H-34-700A	B3273	83	GE4V-28-700A	B3196	82	H001-34-700A	A3005	86
G14H-34-900A	B3274	83	GE4V-28-900A	B3197	82	H001-34-700A	●B3005	86
G14V-34-700A	B3273	83	GE4V-34-700A	B3275	82	H001-34-700B	A3005	86
* G14V-34-700B	B3273	83	GE4V-34-900A	B3276	82	H001-34-700B	●B3005	86
G14V-34-900A	B3274	83	GF3H-28-700A	B4024	83	H001-34-900A	A3006	86
* G14V-34-900B	B3274	83	GF3H-28-900A	B4025	83	H001-34-900A	●B3006	86
G15C-34-700A	B3275	83	GF3H-34-700A	B3273	83	H001-34-900B	A3006	86
* G15C-34-700B	B3275	82, 83	GF3H-34-900A	B3274	83	H001-34-900B	●B3006	86
G15C-34-900A	B3276	83	GF3J-28-700B	B4024	83	H005-34-700	A3005	86
* G15C-34-900B	B3276	82, 83	GF3J-28-900B	B4025	83	H005-34-700	●B3005	86
G211-28-700E	A3066	82	GF3J-34-700A	B3275	83	H005-34-900	A3006	86
G211-28-700E	B3066	82	GF3J-34-900A	B3276	83	H005-34-900	●B3006	86
* G211-28-700F	A3066	82	GG2N-28-700	B3196	82	* H013-49-00B	A3006	86
* G211-28-700F	B3066	82	GG2N-28-900	B3197	82	H043-34-700A	A3005	86
G211-34-700	A3031	82	GJ1M-28-700	B3196	82, 88	H043-34-700A	●B3005	86
G211-34-700	B3031	82	GJ1M-28-900	B3197	82, 88	H043-34-900A	A3006	86
* G211-34-700G	A3031	82	GJ21-28-700B	A3066	82	H043-34-900A	●B3006	86
* G211-34-700G	B3031	82	GJ21-28-700B	B3066	82	H051-28-700C	U3341	86
* G211-34-700H	A3031	82	* GJ21-28-700E	A3066	82	H119-28-700A	U3341	86
* G211-34-700H	B3031	82	* GJ21-28-700E	B3066	82	H368-34-700A	A4016	86
G211-34-900D	A3032	82	GJ21-34-700B	A3031	82	H368-34-900A	A4017	86
G211-34-900D	B3032	82	GJ21-34-700B	B3031	82	H704-28-700	2316	86
* G211-34-900G	A3032	82	* GJ21-34-700F	A3031	82	H704-28-700	E2316	86
* G211-34-900G	B3032	82	* GJ21-34-700F	B3031	82	H704-28-700	●EL2316	86
* G211-34-900H	A3032	82	* GJ21-34-700G	B3031	82	H704-34-700B	A3005	86
* G211-34-900H	B3032	82	GJ21-34-900B	A3032	82	H704-34-700B	●B3005	86
* G213-34-700B	B3031	82	GJ21-34-900B	B3032	82	H704-34-900B	A3006	86
* G213-34-900B	B3032	82	* GJ21-34-900F	A3032	82	H704-34-900B	●B3006	86
* G246-28-700	B3066	82	* GJ21-34-900F	B3032	82	HA01-34-700A	A3005	86
G256-28-700F	A3066	82	* GJ21-34-900G	B3032	82	HA01-34-700A	●B3005	86
G256-28-700F	B3066	82	GJ3M-34-700	B3277	88	* HA01-34-700B	A3005	86
G256-34-700	A3031	82	GJ3M-34-900	B3278	88	HA01-34-900A	A3006	86
G256-34-700	B3031	82	GJ5A-28-700D	E3760	87	HA01-34-900A	●B3006	86
* G256-34-700F	A3031	82	GJ6E-34-700F	U3758	87	HA01-34-900B	A3006	86
* G256-34-700F	B3031	82	GJ6E-34-700G	U3758	87	* HA01-34-900B	U3426	86
* G256-34-700G	A3031	82	GJ6E-34-700H	U3758	87	HE01-28-700	U3426	86
* G256-34-700G	B3031	82	GJ6E-34-700H	U3758	87	HE01-28-700A	U3426	86
G256-34-900D	A3032	82	GJ6E-34-900F	U3759	87	HE01-28-700B	U3426	86
G256-34-900D	B3032	82	GJ6E-34-900G	U3759	87	* HE01-28-700D	U3426	86
* G256-34-900F	A3032	82	GJ6E-34-900H	U3759	87	HE09-34-700A	A4010	86
* G256-34-900F	B3032	82	GJ6W-34-700	U3758	87	HE09-34-900	A4011	86
* G256-34-900F	B3032	82	GJ6W-34-700A	U3758	87	HE21-28-700C	U3413	86
* G256-34-900G	A3032	82	GJ6W-34-700B	U3758	87	HE21-28-700D	U3413	86
* G256-34-900G	B3032	82	GJ6W-34-900	U3759	87	HE21-28-700E	U3413	86
G25S-34-700C	U3758	87	GJ6W-34-900A	U3759	87	HE21-28-700F	U3413	86
G25S-34-700D	U3758	87	GJ6W-34-900B	U3759	87	HE21-34-700	A4002	86

OEM NO.	TOKICO NO.	REF PAGE	OEM NO.	TOKICO NO.	REF PAGE	OEM NO.	TOKICO NO.	REF PAGE
HE21-34-700C	A4002	86	* MA307785	E2186		MB109561	E2546	95
HE21-34-700D	A4002	86	MA410523	3228	95	MB109675	2658	95
HE21-34-900	A4003	86	MA410523	E3228	95	* MB109760	S3006	93, 94, 96, 98, 99
HE21-34-900C	A4003	86	MA410524	3228	95	* MB109765	S3006	93, 94, 96, 98, 99
HE21-34-900D	A4003	86	MA410524	E3228	95	MB109825	S3055	94, 95
HE25-34-700	A4002	86	* MA410923	E2048	93, 95, 96, 98	MB109825	●Z3055	94, 95
HE25-34-700C	A4002	86	MA420522	1044	99	* MB109826	S3055	93, 94, 95, 100
HE25-34-700D	A4002	86	MA420920	1028	99	MB109826	●S3060	94, 95
HE25-34-700E	A4002	86	MA430645	1044	99	MB109826	●Z3060	94, 95
HE25-34-900	A4003	86	MA431175	1028	99	MB109850	S3055	93, 94, 95
HE25-34-900C	A4003	86	MB001670	S3006	93, 96, 98	MB109850	●Z3055	93, 94, 95
HE25-34-900D	A4003	86	MB001671	●S3033	93	MB109926	●S3060	93
HE25-34-900E	A4003	86	* MB001671	S3055	93, 94, 95, 100	MB109926	●Z3060	93
* J90FU268	E4111	56	MB001672	S3006	98, 99	MB109986	S3055	93, 94
JM06646	3178	95	MB001980	S3006	96	MB109986	●Z3055	93, 94
JM06646	E3178	95	MB002020	S3006	93, 94	MB110446	2568	99
JM06647	3178	95	* MB002025	S3006	93, 94, 96, 98, 99	MB110446	E2568	99
JM06647	E3178	95	MB002060	S1036	98	MB110447	2568	99
* JM07562	E2186		MB002060	●Z1036	98	MB110447	E2568	99
* JM07563	2518		* MB002076	S3006	93, 94, 96, 98, 99	MB110514	2547	95
* K60A-34-700	3595	80	* MB002077	S3006	93, 94, 96, 98, 99	MB110514	E2547	95
K710-34-700	3595	80	MB002077	●S3034	93, 94	MB110517	2518	95
* K71E-34-700	3595	80	* MB002081	●S3009	98	* MB110517B	2814	110
K721-28-700A	2969	80	MB002190	S1062	98	MB110540	2504	98
L097-28-700A	E4106	88	MB002323	3228	95	MB110540	●EL2242	98
L097-34-700	B3241	88	MB002323	E3228	95	MB110710	●2006	98
* L097-34-700A	B3241	88	* MB002652	●2274	93	MB110710	E2006	98
L097-34-900	B3242	88	* MB002652	●E2274	93	MB110710	●EL2006	98
* L097-34-900C	B3242	88	MB002704	2504	98	MB110712	E2007	98, 99
L206-28-700E	E3788	88	* MB002704	E2697	136	MB110743	2280	94
L206-34-700E	B3261	88	MB002704	●EL2242	98	MB110743	E2479	94
L206-34-900E	B3262	88	MB002706	2048	98	MB110743	●EL2479	94
L232-28-700D	E3788	88	MB002706	E2048	98	MB110744	2280	93, 94
L232-34-700C	B3261	88	MB002707	2504	96	MB110744	E2479	93, 94
L232-34-900C	B3262	88	MB002707	●EL2242	96	MB110744	●EL2479	93, 94
LC47-28-700	E4106	88	MB002846	2048	98	MB110774	2048	96
LC62-28-700C	E4106	88	MB002846	E2048	98	MB110774	E2048	96
LC62-34-700C	B3241	88	* MB002847	2048	93, 95, 96, 98	MB110921	●S3056	93, 94, 95
LC62-34-900C	B3242	88	* MB002847	E2048	93, 95, 96, 98	MB110922	●S3056	93, 94, 95
* LC72-28-700	E4106	88	MB002881	2504	96, 98	MB110975	E2012	93, 94, 95
LC72-28-700B	E4106	88	MB002881	●EL2242	96, 98	MB110975	●EL2012	93, 94, 95
LC72-34-700A	B3241	88	MB003011	2280	93, 94	MB110976	E2012	93, 94, 95
LC72-34-900A	B3242	88	MB003011	E2479	93, 94	MB110976	●EL2012	93, 94, 95
* LD47-28-700	E4106	88	MB003011	●EL2479	93, 94	MB110976	2048	95, 96
LD47-34-700A	B3200	88	MB003012	2280	93, 94	MB111055	E2048	95, 96
LD47-34-700B	B3200	88	MB003012	E2479	93, 94	MB111056	2048	95
* LD47-34-700D	B3200	88	MB003012	●EL2479	93, 94	MB111056	E2048	95
LD47-34-900A	B3201	88	MB003223	1028	99	MB111057	2048	95
LD47-34-900B	B3201	88	MB003232	1028	99	MB111057	E2048	95
LE31-28-700A	E4106	88	MB003595	2048	95, 96	MB111182	1028	99
* LE31-28-700C	E4106	88	MB003595	E2048	95, 96	MB111214	2659	95
LE33-34-700A	B3200	88	MB025127	3407	92	MB111226	E2012	94, 95, 100
* LE33-34-900A	B3201	88	MB025127	E3407	92	MB111226	●EL2012	94, 95
* LO97-28-700A	E4106	88	MB025270	3463	100	MB111350	E2007	99
* M050-34-700C	B3141	88	MB025381	3243	92	* MB111415	2568	99, 101
* M050-34-900C	B3142	88	MB025382	3407	92	* MB111415	E2568	99, 101
M71E-34-700	3595	80	MB025382	E3407	92	* MB111416	2568	99, 101
MA150540	S3006	93	MB025383	3243	92	* MB111416	E2568	99, 101
MA150545	S3006	93	MB025384	3407	92	MB111417	2568	101
MA150546	S3006	93	MB025384	E3407	92	MB111417	E2568	101
* MA150683	S3006	93, 94, 96, 98, 99	* MB03500	3260	92	MB111418	2568	101
MA151108	●2274	93	MB035003	3260	92	MB111418	E2568	101
MA151108	●E2274	93	MB109090	S3039	99	MB161496	3098	92
* MA151110	●2274	93	MB109090	●Z3039	99	MB161497	3178	92
MA181619	●2145	93	MB109091	S3039	99	MB161497	E3178	92
MA181619	2518	93	MB109091	●Z3039	99	MB161539	3098	92
* MA181619	E2186		* MB109101	S3039	99	MB161539	3178	93
MA222414	3150	100	* MB109105	S3039	99	MB161539	E3178	93
MA222515	3068	92, 100	MB109188	S3039	99	MB161554	3098	92
MA222515	E3344	100	MB109188	●Z3039	99	MB161555	3178	92
MA222515	●EL3344	100	MB109189	S3039	99	MB161555	E3178	92
MA222536	3178	100	MB109189	●Z3039	99	MB161556	3409	92
MA222538	3178	100	MB109561	2546	95	MB161655	3068	100

All items marked * are not shown on the contents of the catalogue. Written TOKICO No are just for your reference.

STOCK NO.

O.E.M NO.

KIT

STOCK NO.

O.E.M. NO.

KIT

OEM NO.	TOKICO NO.	REF PAGE	OEM NO.	TOKICO NO.	REF PAGE	OEM NO.	TOKICO NO.	REF PAGE
MB175547	3228	95	MB303740	3397	96	MB518688	A3192	96, 99
MB175547	E3228	95	MB303740	3433	95	MB518688	B3192	96, 99
MB175562	3228	95, 96	MB303740	E3397	96	MB518689	A3192	96, 99
MB175562	E3228	95, 96	MB303741	3397	96	MB518689	B3192	96, 99
* MB175610	S3055	93, 94, 95, 100	MB303741	3433	95	MB518690	A3192	96
MB175610	●S3060	94, 95	MB303741	E3397	96	MB518690	B3192	96
MB175610	●Z3060	94, 95	* MB303850	E3397	96, 100	MB518835	A2078	128
* MB175614	S3055	93, 94, 95, 100	* MB303851	E3397	96, 100	MB518835	B2078	128
MB175681	S3055	100	MB303880	3228	96	MB518970	A3192	96, 99
MB175682	S3055	100	MB303880	E3228	96	MB518970	B3192	96, 99
MB175683	S3055	94, 95, 100	MB303905	A3012	94, 95	MB584122	2842	95
MB175683	●Z3055	94, 95	MB303905	●B3012	94, 95	MB584125	2842	95
MB175684	S3055	94, 95, 100	MB303938	3228	96	* MB584125	E2048	93, 95, 96, 98
MB175684	●Z3055	94, 95	MB303938	●3432	96	MB584638	2843	96
* MB176115	S3006	93, 94, 96, 98, 99	MB303938	E3228	96	MB584639	2843	96
* MB176117	S3055	93, 94, 95, 100	MB307741	3397	96	MB584776	Q2948	96
* MB176127	S1062	98	MB307741	E3397	96	MB584776	U2948	96
* MB176211	S3055	93, 94, 95, 100	MB338506	2518	95	MB584777	Q2948	96
* MB176213	S3055	93, 94, 95, 100	MB338570	2800	100	MB584777	U2948	96
* MB176214	S3055	93, 94, 95, 100	MB338570	E2800	100	MB584778	Q2948	96
MB176291	3338	95	* MB338597	2800	100	MB584778	U2948	96
* MB176374	1044	99	* MB338597	E2800	100	MB587339	A3192	96, 99
* MB176388	1044	99	* MB338758	E2007	98, 99	MB587339	B3192	96, 99
MB176395	S3006	99	* MB338759	E2007	98, 99	MB631340	Q2948	96, 99
* MB176397	S3006	93, 94, 96, 98, 99	MB338847	2770	128	MB631340	U2948	96, 99
* MB185430	E2186		MB338847	E2770	128	MB631341	Q2948	96
* MB185431	E2186		MB339210	2842	95	MB631341	U2948	96
* MB185436	2518	93, 95	MB339211	2842	95	MB631342	Q2948	96, 99
MB185439	1044	99	MB339212	2842	95	MB631342	U2948	96, 99
MB241239	1028	99	MB339215	2842	95	MB631451	2842	95
* MB241260	1044	99	MB339216	2842	95	MB631452	2842	95
MB241841	1044	99	MB339217	2842	95	* MB631452	E2048	93, 95, 96, 98
MB241845	1028	99	MB339482	2518	95	MB633365	E3561	100
MB242061	2568	99	MB349076	3397	100	MB633900	E3560	100
MB242061	E2568	99	MB349076	E3397	100	MB633915	E3560	100
MB242062	2568	99	MB349319	A3012	94, 95	* MB663021	E2770	128
MB242062	E2568	99	MB349319	●B3012	94, 95	MB663364	E3561	100
MB242115	2800	100	MB349320	A3012	95	* MB663365	E3561	100
MB242115	E2800	100	MB349320	●B3012	95	MB663567	Q2731	95
MB242117	2800	100	* MB349452	S3006	93, 94, 96, 98, 99	MB663567	U2731	95
MB242117	E2800	100	MB349527	S3055	100	MB809270	Q2957	96, 97, 128
* MB242118	2800	100	MB349528	S3055	100	MB809271	Q2957	96, 97, 128
* MB242118	E2800	100	* MB349559	S3006	93, 94, 96, 98, 99	MB809272	Q2957	96, 97
* MB242128	1028	99	MB349835	A2078	128	MB864770	Q2958	93
* MB242194	1028	99	MB349835	B2078	128	MB864771	Q2958	93
* MB242196	2568	99, 101	MB430190	3434	95, 96	MB864773	Q2958	93
* MB242196	E2568	99, 101	MB430191	3434	95, 96	MB864777	Q3590	93
* MB242282	2800	100	MB430195	3434	95, 96	MB864821	Q3590	93
* MB242282	E2800	100	MB430196	3434	95, 96	MB864822	Q3590	93
MB242336	Q2731	94, 95	MB515097	2877	99	MB864826	Q3590	93
MB242336	U2731	94, 95	* MB515097	E2770	128	MB864827	Q3590	93
MB242337	Q2731	95	MB515566	2048	96	* MB870136	1175	135
MB242337	U2731	95	MB515566	2842	96	MB870869	Q2948	96
MB242338	Q2731	94, 95	MB515566	E2048	96	MB870869	U2948	96
MB242338	U2731	94, 95	MB515567	2842	96	MB871321	Q2957	128
MB242813	2568	99	MB515568	2048	96	MB871322	Q2957	128
MB242813	E2568	99	MB515568	E2048	96	* MB891073	B2219	96, 97, 98
MB242815	2800	100	MB515570	Q2948	96, 99	* MB891074	B2218	96, 97, 98
MB242815	E2800	100	MB515570	U2948	96, 99	MB891463	Q2947	97, 98
MB242816	2800	100	MB515571	Q2948	96, 99	MB891463	U2947	97, 98
MB242816	E2800	100	MB515571	U2948	96, 99	MB891464	Q2947	97, 98
* MB242817	1168	99	MB515572	Q2948	96, 99	MB891464	U2947	97, 98
MB242818	1168	99	MB515572	U2948	96, 99	MB891501	Q3590	93
MB242818	●E1168	99	MB515630	2770	128	MB891502	Q3590	93
MB303060	A2078	99	MB515630	E2770	128	MB891506	Q3590	93
MB303060	B2078	99	MB515700	Q2878	95	MB891693	A2219	96, 97, 98
MB303061	A2078	99	MB515701	Q2878	95	MB891693	B2219	96, 97, 98
MB303061	B2078	99	MB515702	Q2878	95	MB891694	A2218	96, 97, 98
MB303366	3397	100	MB515703	Q2878	93	MB891694	B2218	96, 97, 98
MB303366	E3397	100	MB518032	A2078	99	MB891695	A2219	97, 98
* MB303369	E3397	96, 100	MB518032	B2078	99	MB891695	B2219	97, 98
MB303665	A3012	94, 95	MB518687	A3192	96, 99	MB891696	A2218	97, 98
MB303665	●B3012	94, 95	MB518687	B3192	96, 99	MB891696	B2218	97, 98

OEM NO.	TOKICO NO.	REF PAGE	OEM NO.	TOKICO NO.	REF PAGE	OEM NO.	TOKICO NO.	REF PAGE
MB891697	A2219	96, 97, 98	MR267178	E3560	100	PW530075	B2222	128
MB891697	B2219	96, 97, 98	MR267960	E3560	100	PW530076	B2221	128
MB891698	A2218	96, 97, 98	* MR267962	E3561	100	PW530077	B2222	128
MB891698	B2218	96, 97, 98	MR272634	U3591	94	PW530078	B2221	128
MB891699	A2219	97, 98	MR272661	U3592	94	PW530079	B2222	128
MB891699	B2219	97, 98	MR272701	U3593	94	PW530080	B2221	128
MB891700	A2218	97, 98	MR272702	U3593	94	PW530081	B2222	128
MB891700	B2218	97, 98	MR297571	B2222	97	PW530082	B2221	128
MB891703	A2219	97, 98	MR297572	B2221	97	PW531064	Q2957	128
MB891703	B2219	97, 98	MR297573	B2222	97	* QLW1-34-700	B3249	89
MB891704	A2218	97, 98	MR297574	B2221	97	* QLW1-34-900	B3250	89
MB891704	B2218	97, 98	MR297575T	A2272	96	* QLY1-28-700	E3789	83
MB892584	E3560	100	MR297576T	A2271	96	* QLY1-34-700	B3261	88
MB892585	E3560	100	MR297577	B2222	97	* QLY1-34-900	B3262	88
* MB892682	Q2878	93, 95	MR297578	B2221	97	* S02V-28-700	2820	171, 175
MB910496	Q3590	94	MR316069	B2228	97	* S083-28-700	2186	82, 86
MB910497	Q3590	94	MR316069MT	A2228	96	* S083-28-700	E2186	82, 86
MB910844	Q2957	97	MR316070	B2227	97	S083-34-700	2735	82, 86
* MB910897	Q2957	96, 97, 128	MR316070MT	A2227	96	S083-34-700	E2735	82, 86
MB911284	Q2958	93	MR316393	B2222	97	* S083-34-710	2735	82, 86
* MB911360	B3192	96, 99	MR316394	B2221	97	* S083-34-710	E2735	82, 86
MB914897	Q2957	97	MR316549	E3560	100	S083-99-281	2186	82, 86
MB914963	A2219	97, 98	MR319842	E3228	92	S083-99-281	E2186	82, 86
MB914963	B2219	97, 98	* MR319842	E3228	95, 96, 162, 163	* S085-28-700	2614	82, 86, 92, 96
MB914964	A2218	97, 98	MR319950	E3560	100	S085-99-281	2614	82, 86
MB914964	B2218	97, 98	* MR319952	E3561	100	* S091-28-700	2186	82, 86
MB914965	A2219	97, 98	MR403040	Q2957	97	* S091-28-700	E2186	82, 86
* MB914965	B2218	96, 97, 98	MR448497	E3560	100	S091-99-281	2186	86
MB914965	B2219	97, 98	MR448498	E3560	100	S091-99-281	E2186	86
MB914966	A2218	97, 98	* MR455263	E3560	100	S10H-28-700	E4107	82
MB914966	B2218	97, 98	MR455623	E3560	100	S10H-28-700D	E4107	82
MC096225	3178	93	MR455673	U3592	94	S10H-34-700	A3218	82
MC096225	E3178	93	MR455674	U3592	94	* S10H-34-700A	A3218	82
* MC304889	3407	92	MR455675	U3592	94	S10H-34-900	A3219	82
* MC304890	3407	92	MR455677	U3592	94	* S10H-34-900A	A3219	82
* MC357240	3178	92, 93, 95, 100	MR455681	U3591	94	S130-34-700	2735	86
* MC357240	E3178	92, 93, 95	MR455682	U3591	94	S130-34-700	E2735	86
MC357241	3178	100	MR455683	U3593	94	* S24A-28-700A	2186	82, 86
* MC357241	E3178	92, 93, 95	MR455684	U3593	94	* S24A-28-700A	E2186	82, 86
MC802624	3143	92, 101	* MR455688	U3593	94	* S280-28-700	2186	82, 86
* MC813135	●4036	124	MR455762	Q2957	97	* S280-28-700	E2186	82, 86
MC814701V	5060	100	MR465688	U3593	94	* S31F-34-700	2735	82, 86
MC816000	3004	101	MR491303	Q3590	94	* S31F-34-700	E2735	82, 86
MC816100	3143	101	MR554760	E3560	100	* S41A-28-700	2820	171, 175
MC816202	3143	101	MR992435	2982	101	* S41K-28-700	2969	80
MR151227	E3594	95	MR992631	2983	101	* S46E-28-700	2814	110
MR151229	E2964	95	MT116007	3243	92	* S47T-28-700	2842	52, 54, 95, 96
* MR151231	E2964	95	MT116015	3241	92	SW604061	Q2947	98
MR151235	E2964	95	MT141246	3228	95	SW604061	U2947	98
MR151565	2614	96	MT141246	E3228	95	SW604062	B2228	97
MR197611	Q2957	97	MT141620	2254	95	SW604063	B2227	97
MR210463	3228	92	MT141620	●EL2254	95	SW604188	B2228	97
* MR210463	E3228	95, 96, 162, 163	MT141622	2254	95	SW604189	B2227	97
MR210464	3228	92	* MT141622	E2697	136	* T121174	1044	99
* MR210464	E3228	95, 96, 162, 163	MT141622	●EL2254	95	* T121268	1044	99
MR210611	2614	92	MT160820	3178	92	* T141246	3228	92, 95, 96
MR235591	Q3590	94	MT160820	E3178	92	* T141246	E3228	95, 96
MR235592	Q3590	94	* MT160820B	3178	92, 93, 95, 100	* T141620	E2048	93, 95, 96, 98
MR235593	U3592	94	MT160820B	E3178	92, 93, 95	* T45000N900	2612	52, 167, 171, 175
MR235594	U3592	94	MT160854	3260	92	* TD11-28-700B	E3789	83
MR235595	U3592	94	* MT381037	1123	53	TD11-28-700C	E3789	83
MR235596	Q3590	94	* MT381038	1123	53	* TD11-34-700B	B3265	83
MR235597	U3592	94	* MT381039	1123	53	TD11-34-700C	B3265	83
MR235611	U3591	94	MT400701	S1012	98	* TD11-34-900B	B3266	83
MR235612	U3591	94	MT400703	●S3009	98	TD11-34-900C	B3266	83
MR235613	Q3590	94	* MT400722	S1012	98	* TD13-28-700B	E3789	83
* MR235613	U3593	94	* MT400732	●S3009	98	TD13-28-700C	E3789	83
MR235614	Q3590	94	MT410923	2254	95	* TD13-34-700C	B3265	83
MR235614	U3593	94	MT410923	●EL2254	95	TD13-34-700D	B3265	83
MR235616	U3591	94	MZS41002	S1118	93	* TD13-34-900C	B3266	83
MR244217T	Q2947	96	MZS41004	S1118	93	TD13-34-900D	B3266	83
MR244447	Q2957	97	MZS41024	2992	93	UA3J-28-700A	E4125	87
MR244448	Q2957	97	MZS41029	S1118	93	* UA3J-34-70X	E3586	87

All items marked * are not shown on the contents of the catalogue. Written TOKICO No are just for your reference.

STOCK NO.

O.E.M NO.

KIT

STOCK NO.

O.E.M NO.

KIT

OEM NO.	TOKICO NO.	REF PAGE
UA3J-34-70X	E4124	87
* UB39-28-700	2795	87, 88, 89
* UB39-28-700	E2795	87, 88
UB39-34-700	2794	88
UB39-34-700	E2794	88
* UB39-34-710	E2794	87, 88
* UB39-99-281	2795	87, 88, 89
* UB39-99-281	E2795	87, 88
UB71-28-700A	2795	88
UB71-28-700A	E2795	88
UC86-28-700	2795	89
UH71-28-700	2795	87
UH71-28-700A	2795	88
UH71-28-700A	E2795	88
UH71-34-700A	2794	88
* UH71-34-700A	E2794	87, 88
UH71-34-70X	2794	87
UH71-34-70XA	2794	88
* UH71-34-70XA	E2794	87, 88
UH72-28-700	E2795	87
UH72-28-700A	2795	88
UH72-28-700A	E2795	88
UH72-34-700A	E2794	87
UH74-28-700	2795	89
UH74-28-700	3572	87
UH74-34-700	2794	89
UH74-34-70X	2794	89
UH74-34-70X	3586	87
UH75-28-700	E3572	87
UH75-28-700A	2795	89
UH75-34-700	E3586	87
UH75-34-700A	E3586	87
UP20-34-700A	E4123	56
UP21-28-700C	E4111	56
UR58-28-700	E4122	87
UR58-28-700C	E4122	87
* UR58-34-700B	E3586	87
UR58-34-700B	E4121	87
UR58-34-70X	E4121	87
UR61-28-700C	E4125	56, 87
UR61-34-70XC	E4124	56, 87
UR70-28-700	E4122	87
UR70-28-700A	E4122	87
UV9K-28-700	E4126	56
W023-28-700	2048	89
W023-28-700	E2048	89
W023-34-700	2657	89
W023-99-281	2048	89
W023-99-281	E2048	89
W023-99-341	2657	89
W208-36-700A	1201R	89
* W620-34-700	2835	73, 74
* W620-34-710	2835	73, 74
* W723-99-281	2254	
* W785-34-700	2657	89
* YL841-80-45BL	B3247	89
* YL841-80-45CH	B3247	89
* YL841-80-45DB	B3247	89
* YL841-80-80AJ	E3790	89
* YL841-80-80CF	E3790	89
* YL841-8K-001CH	B3248	89
* YL8Z1-81-24CA	B3248	89
* YL8Z1-81-25AA	E3790	89
* YL8Z1-81-34CA	B3247	89

OEM NO.	TOKICO NO.	REF PAGE
---------	------------	----------

OEM NO.	TOKICO NO.	REF PAGE
---------	------------	----------



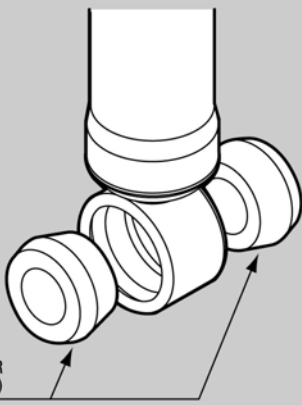
**MOUNTING-KIT
LISTING**

STOCK NO.

O.E.M. NO.

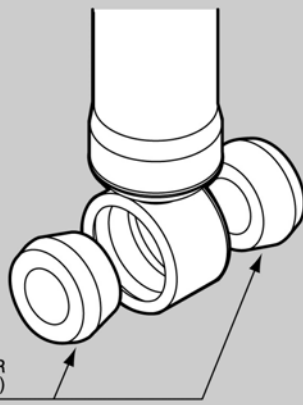
KIT

001



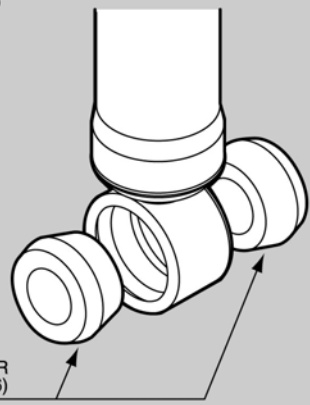
RUBBER
(4A1977)

002



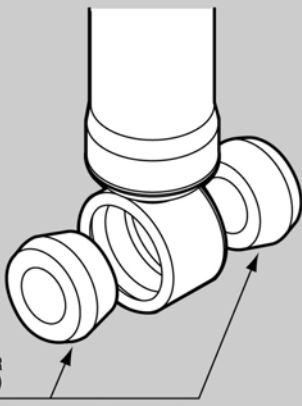
RUBBER
(4A1978)

003



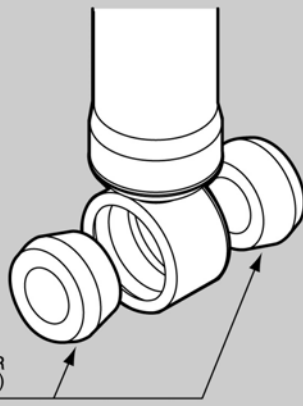
RUBBER
(4A1986)

004



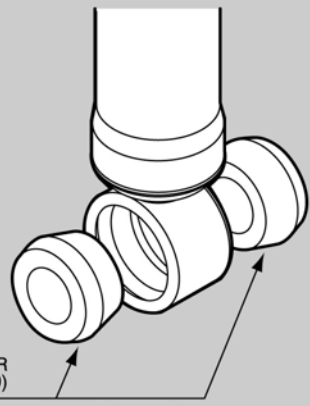
RUBBER
(4A1987)

005



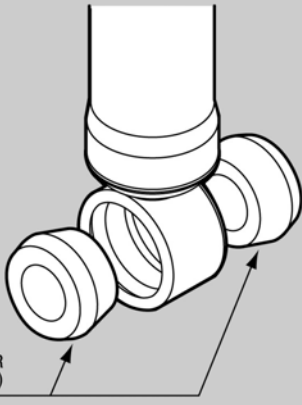
RUBBER
(4A1988)

006



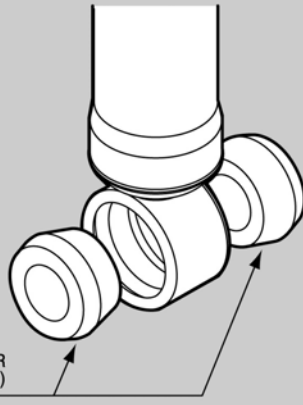
RUBBER
(4A1989)

007



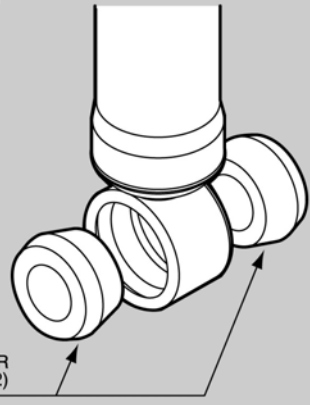
RUBBER
(4A1984)

011



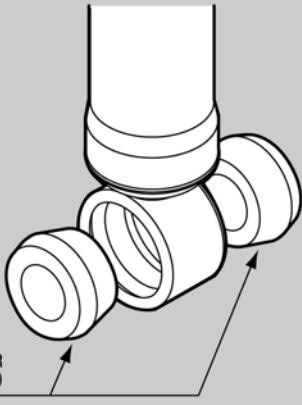
RUBBER
(4A1856)

012



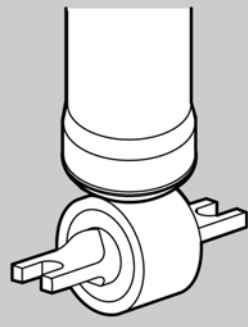
RUBBER
(4A1882)

013

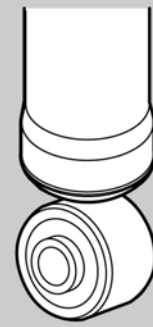


RUBBER
(4A1895)

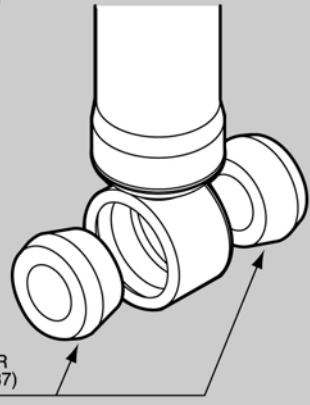
014



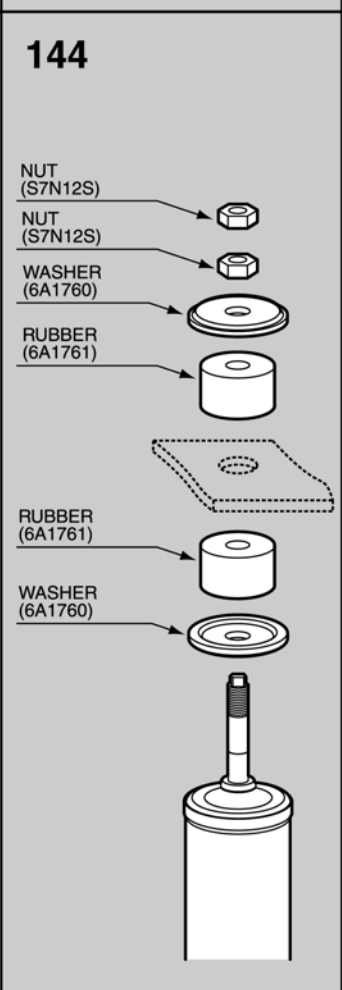
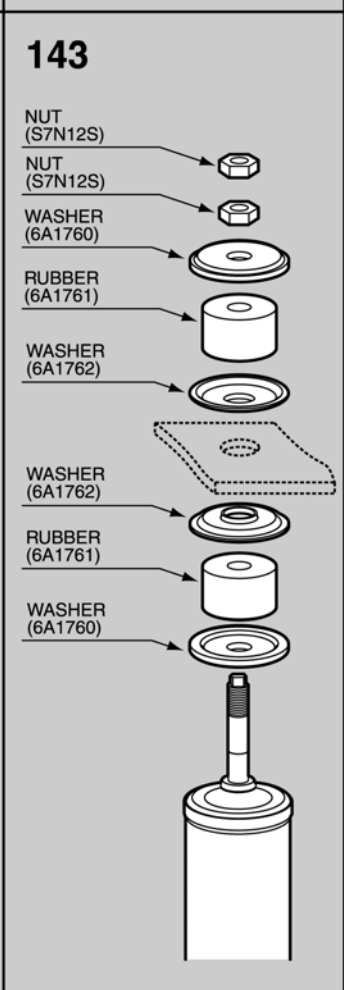
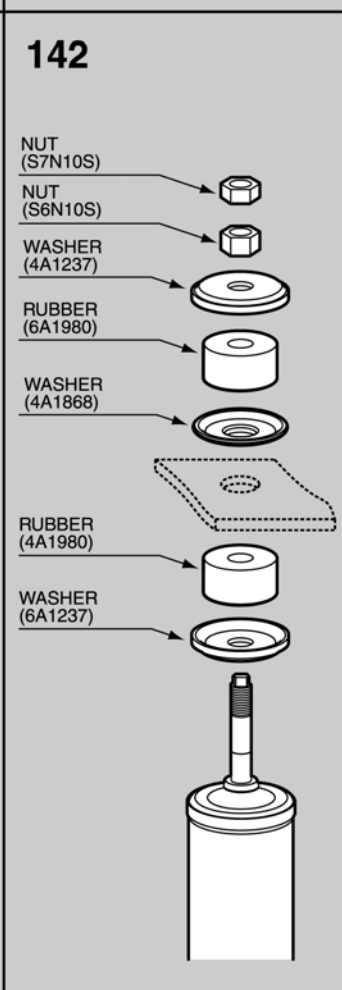
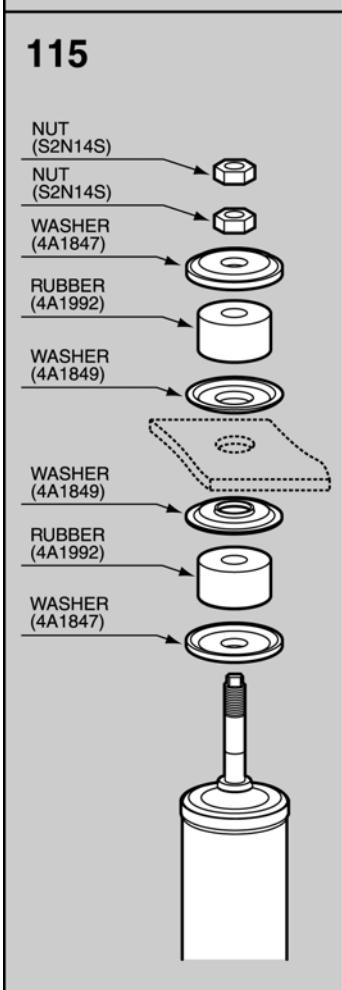
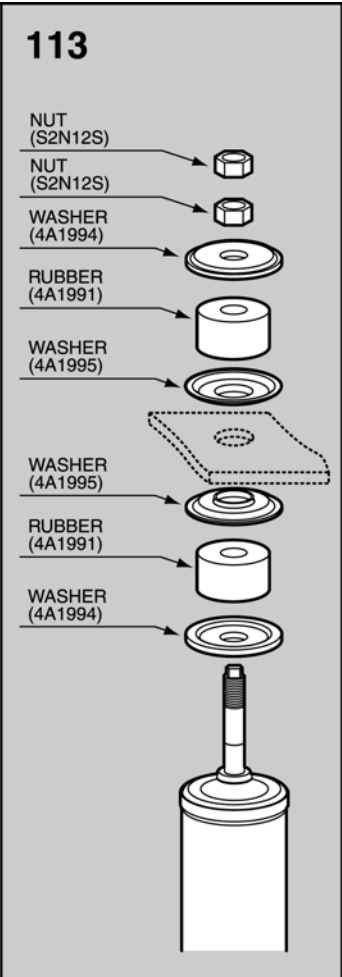
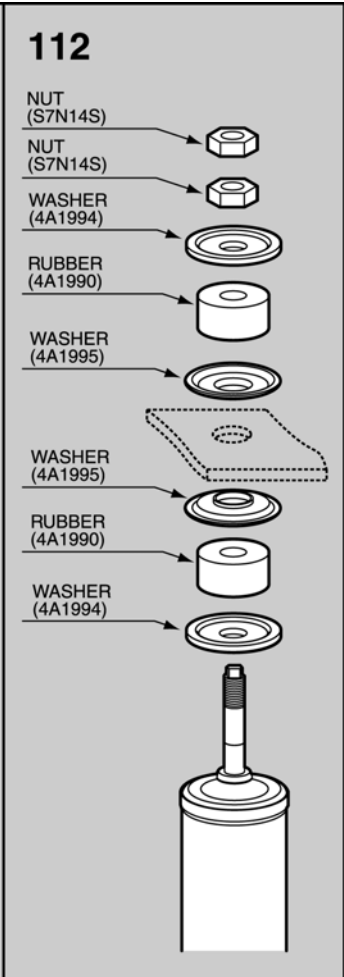
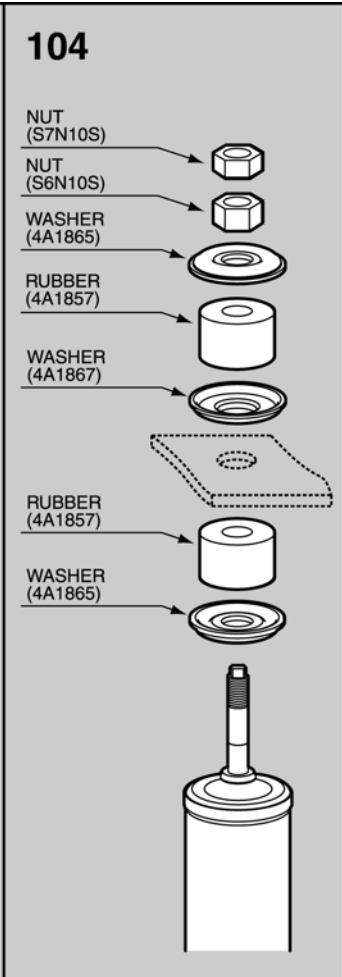
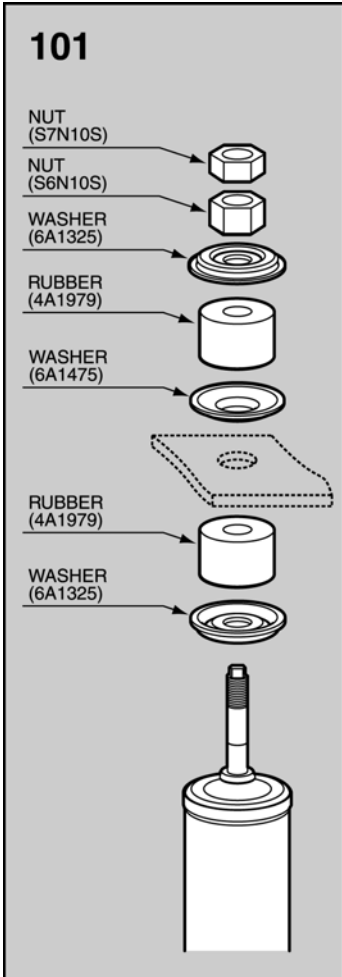
015



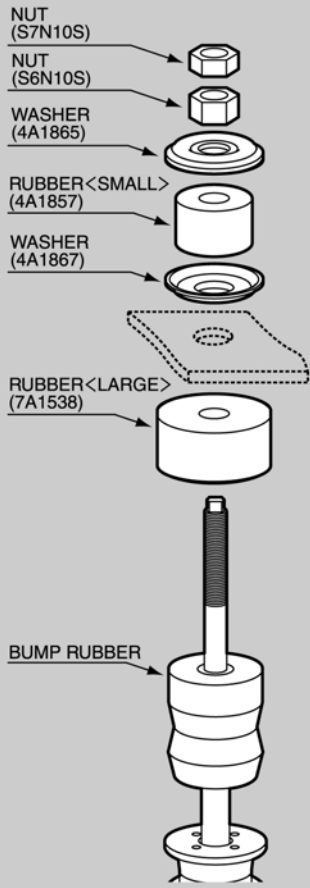
031



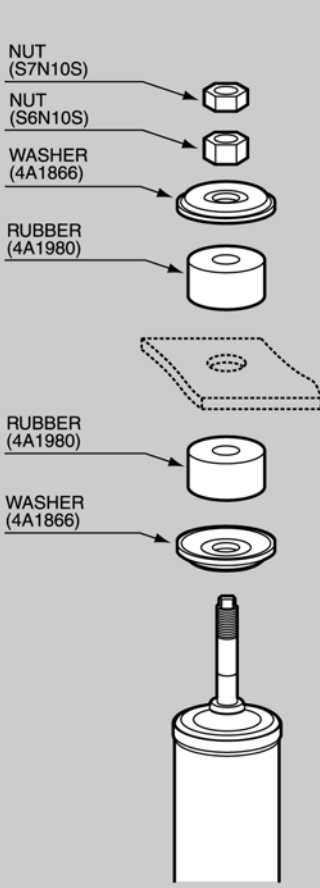
RUBBER
(4A14187)



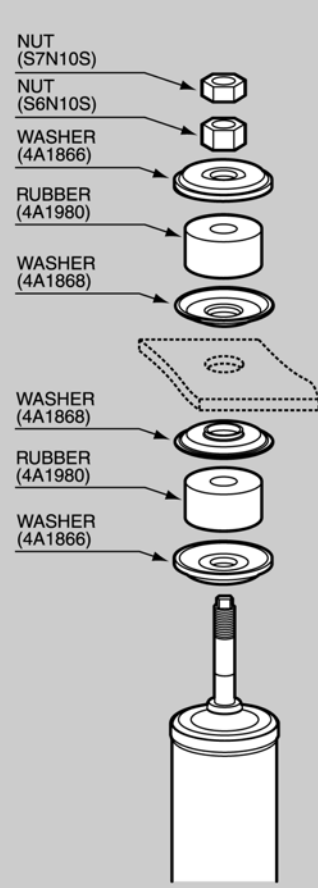
155



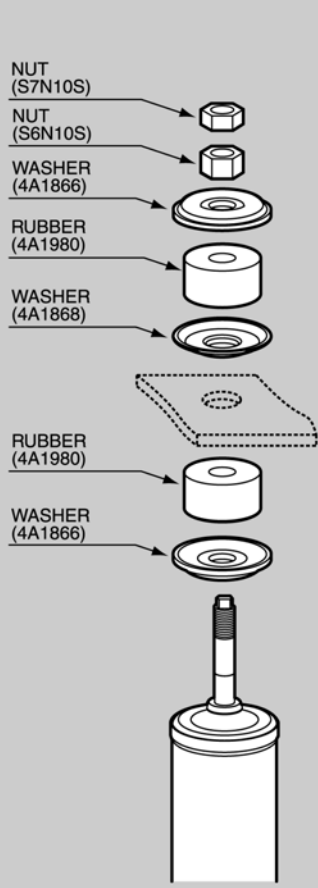
156



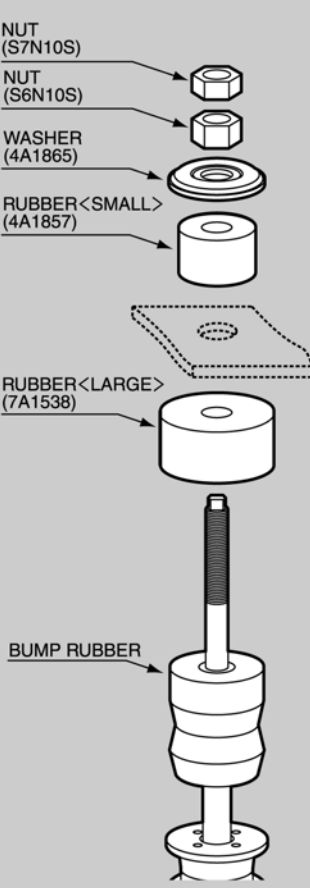
157



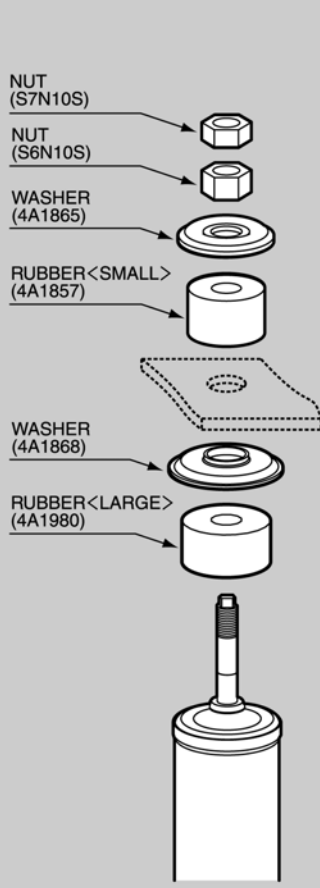
161



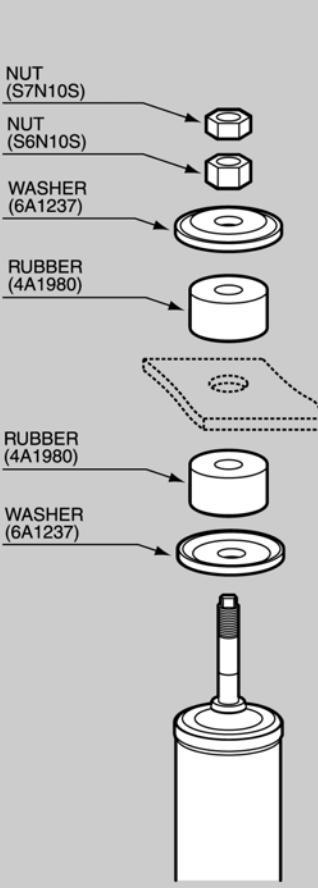
165



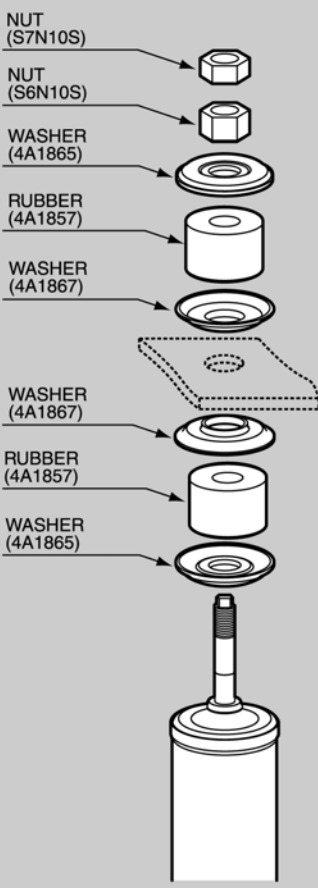
166

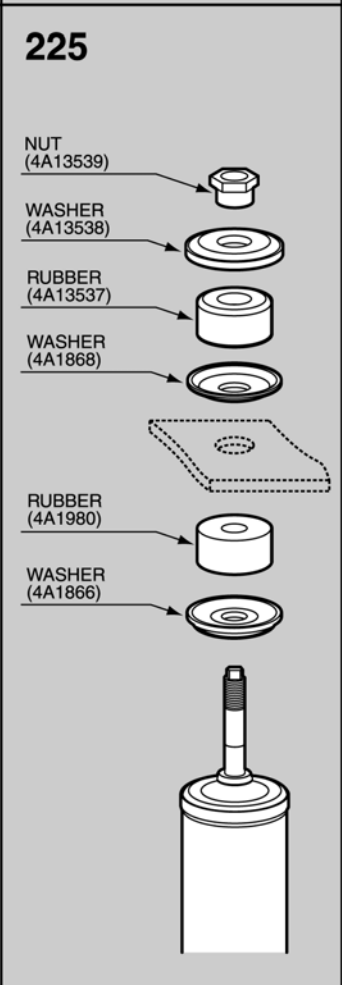
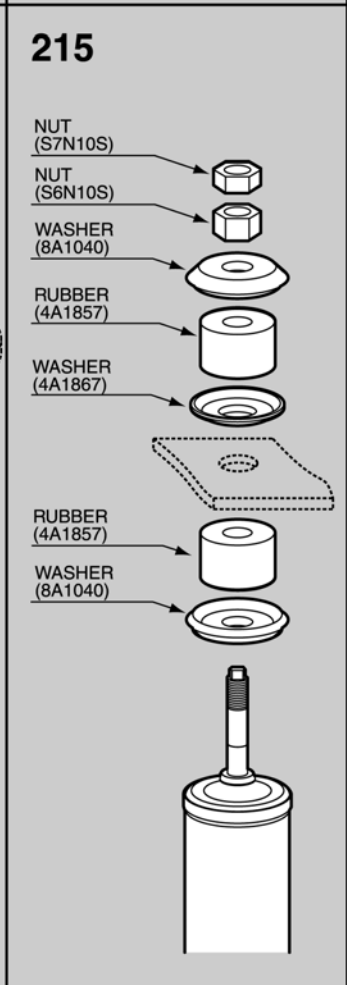
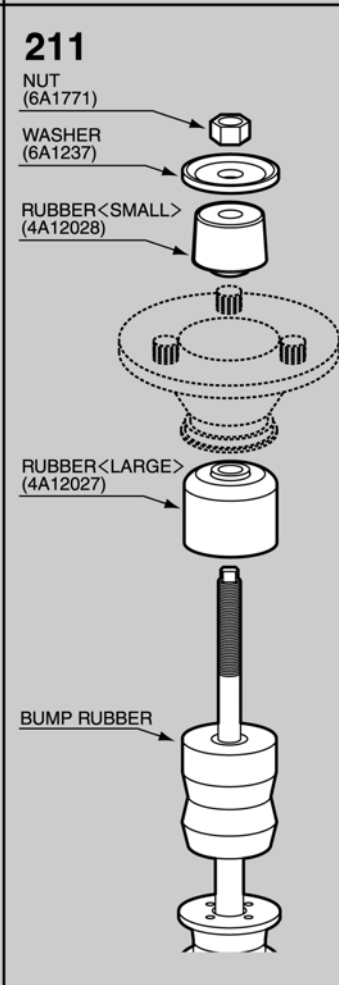
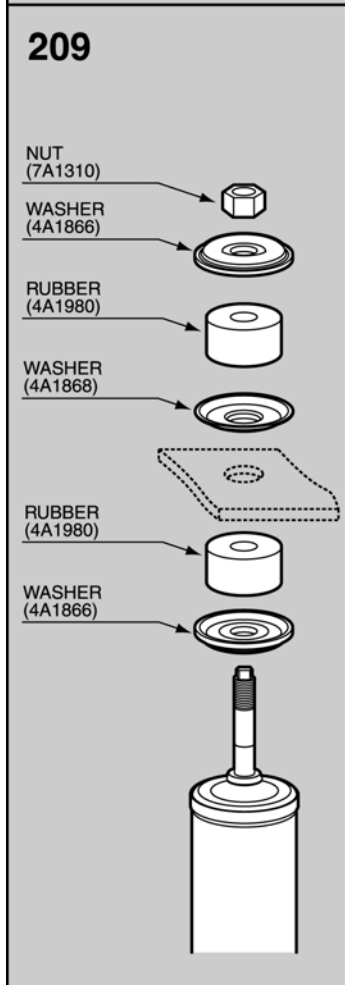
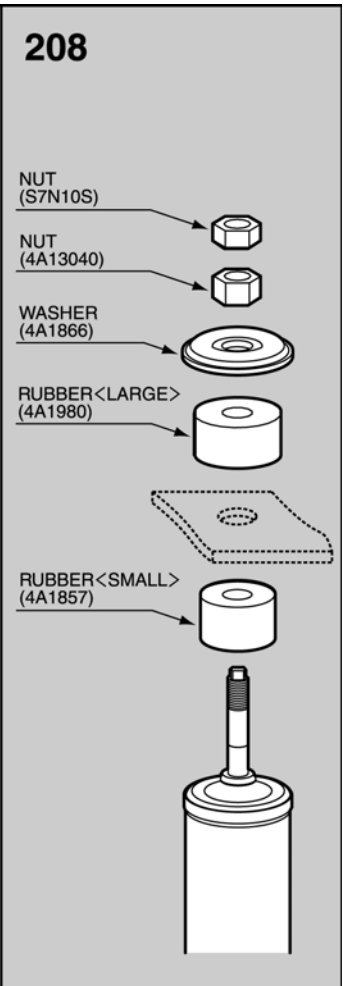
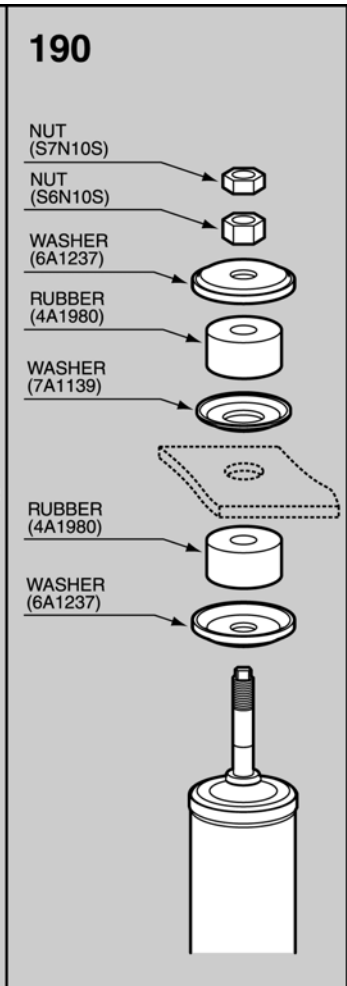
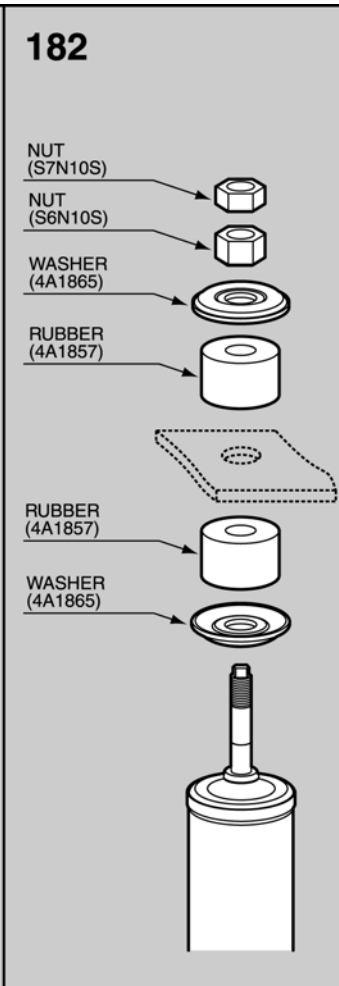
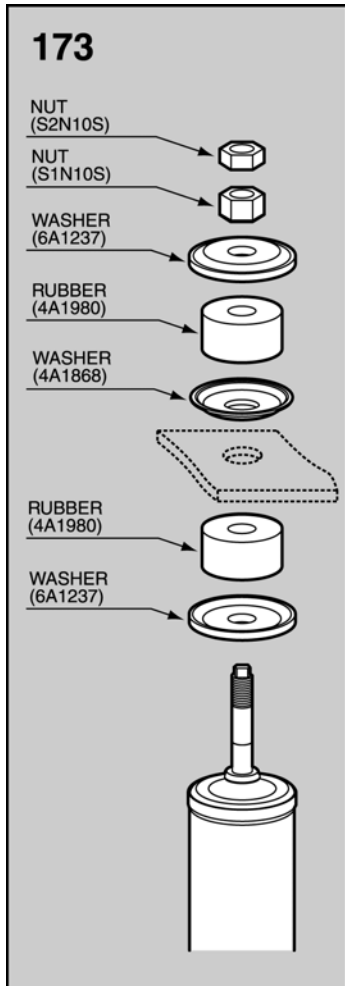


169

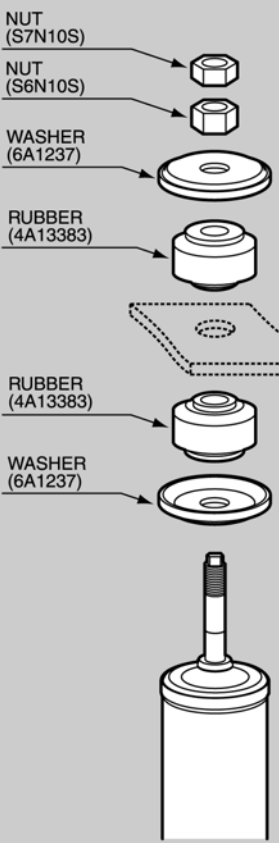


172

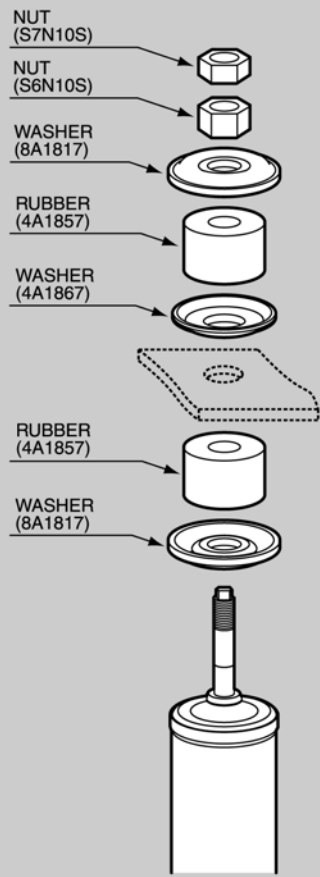




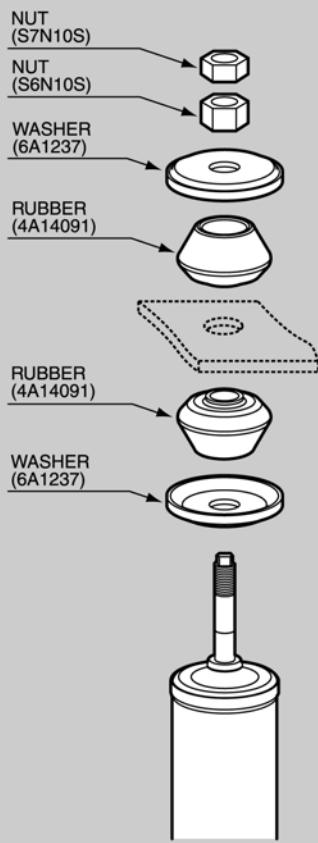
227



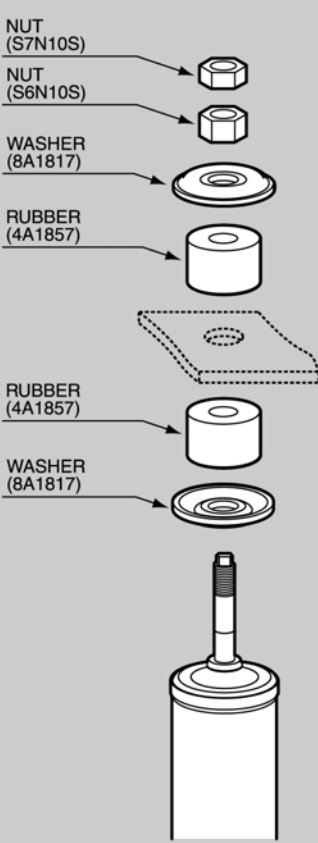
229



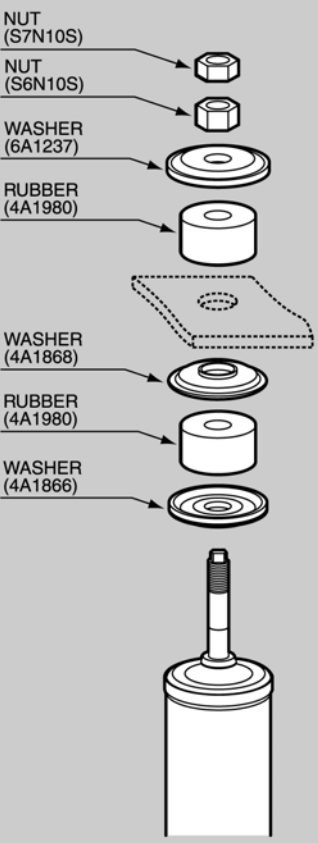
231



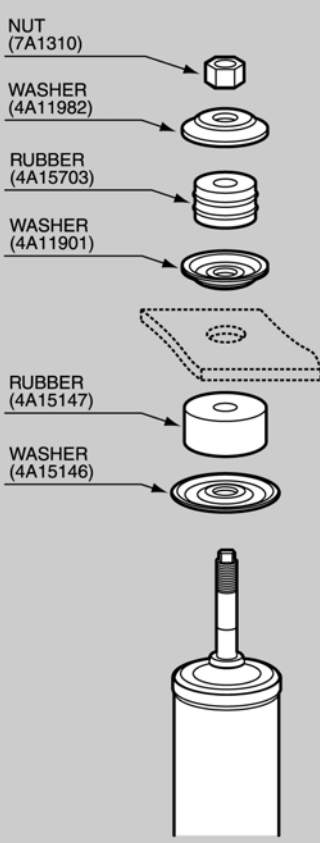
235



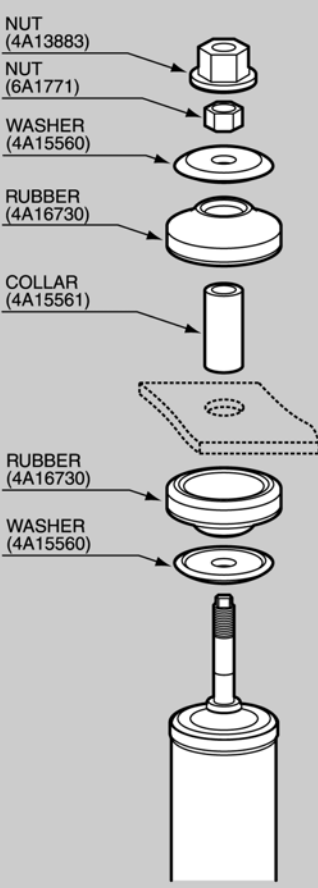
237



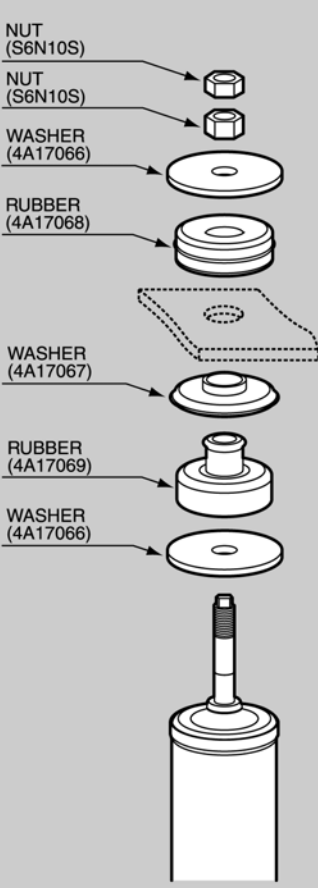
241

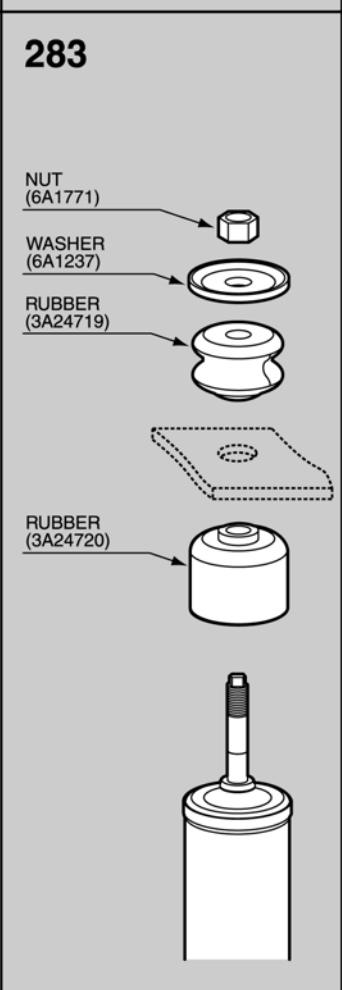
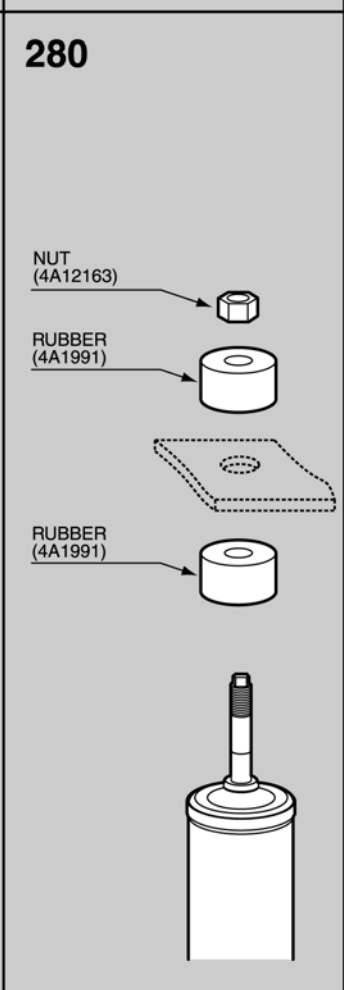
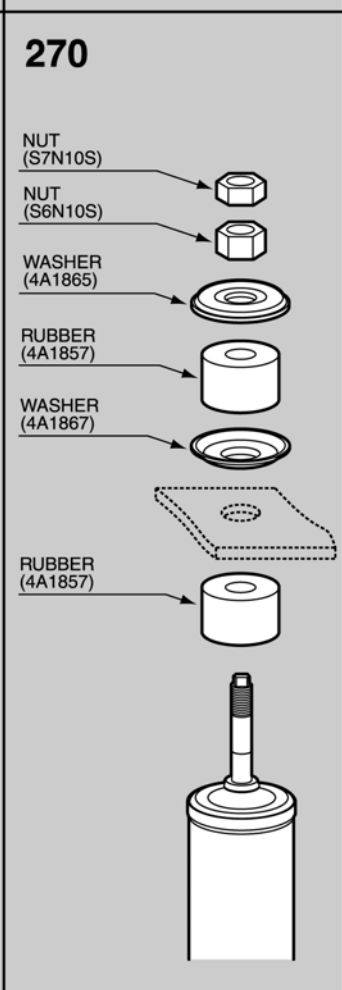
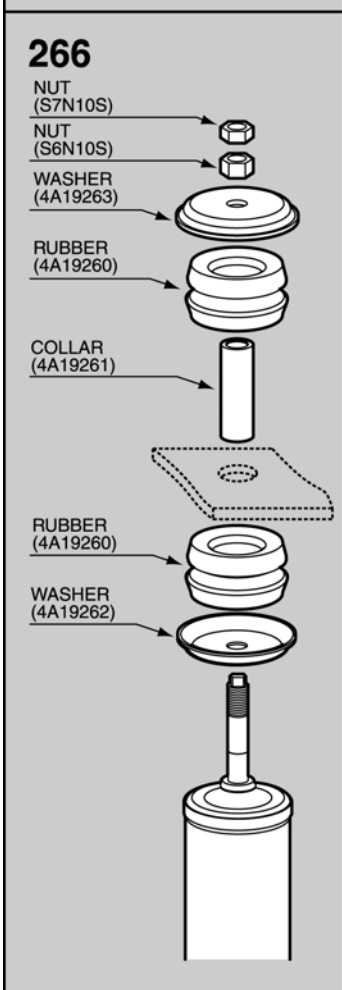
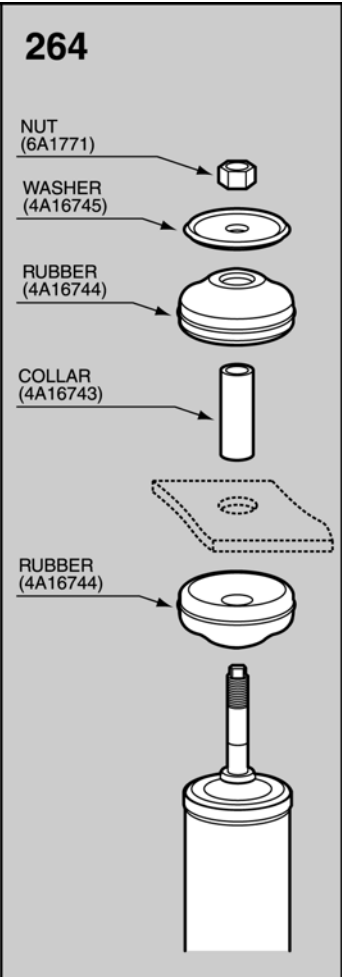
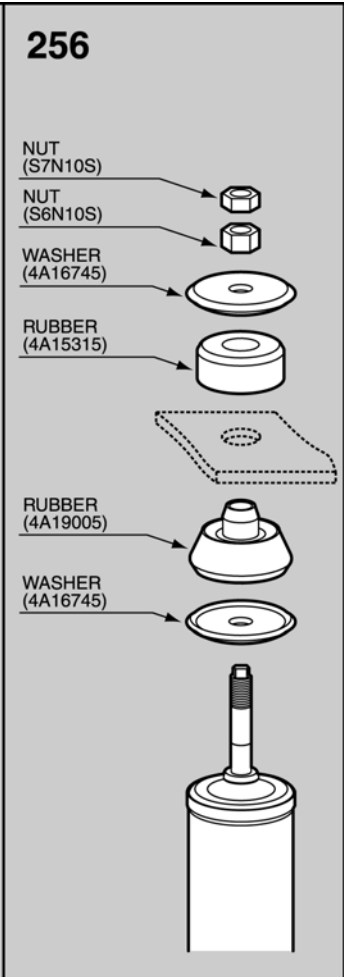
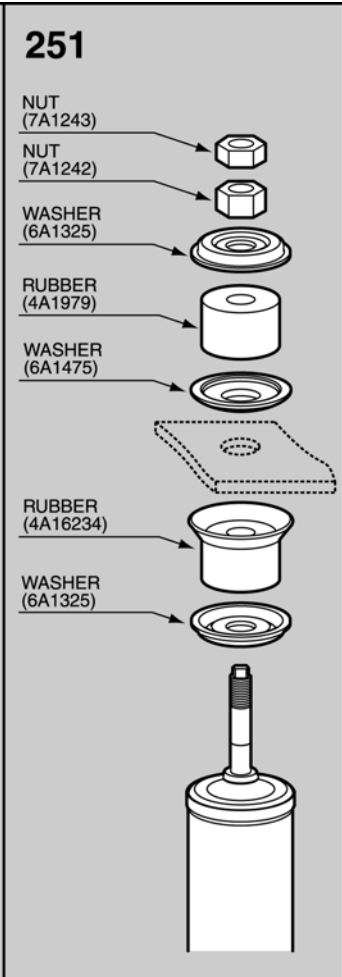
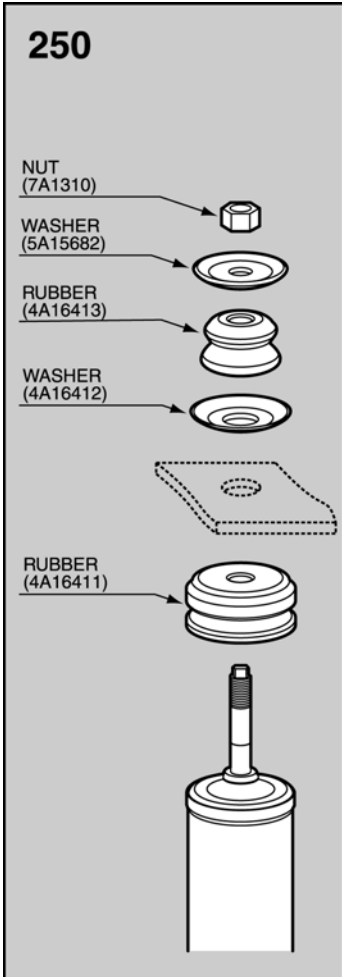


246



247



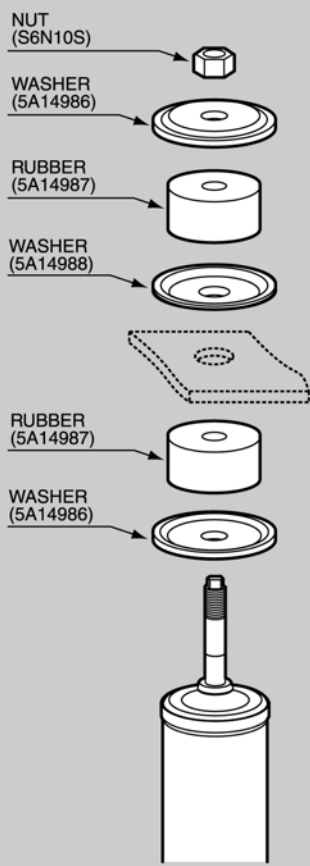


STOCK NO.

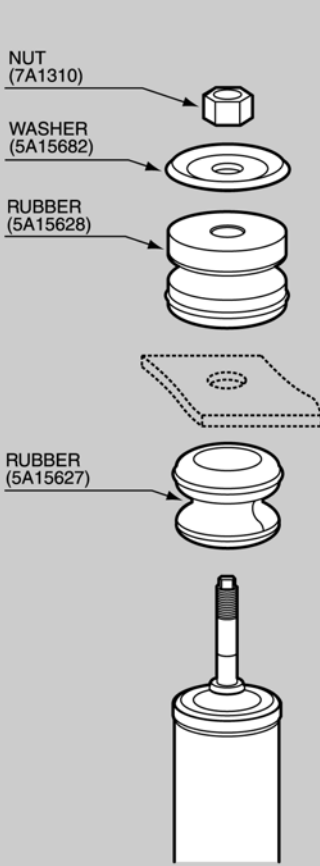
O.E.M. NO.

KIT

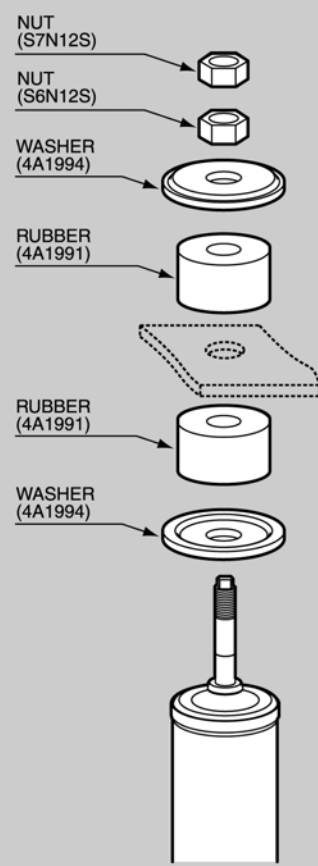
286



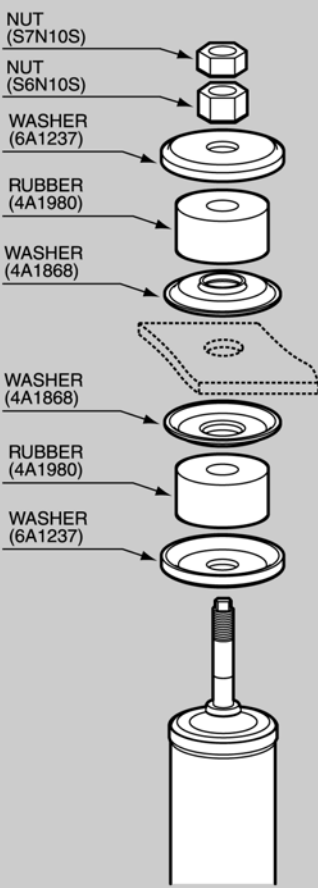
290



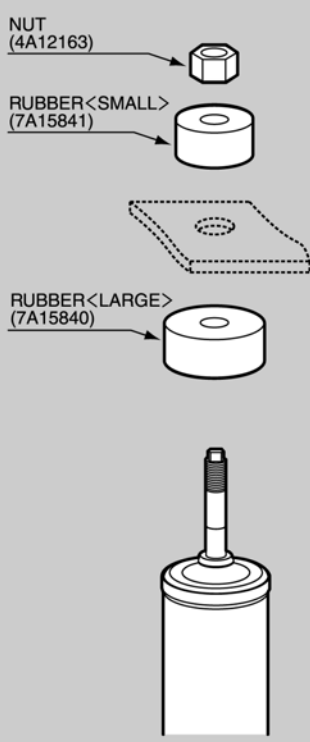
291



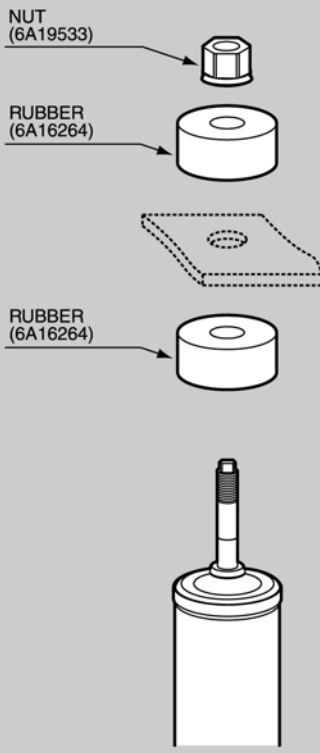
303



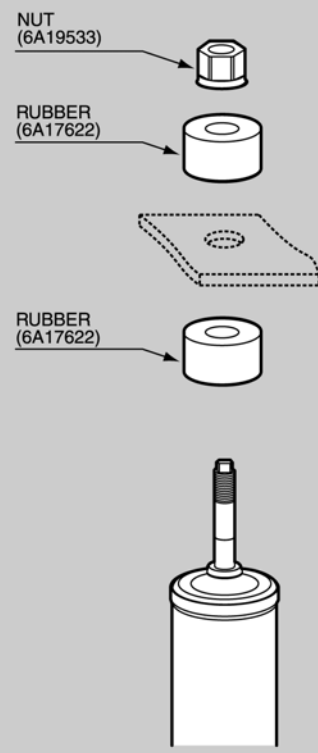
309



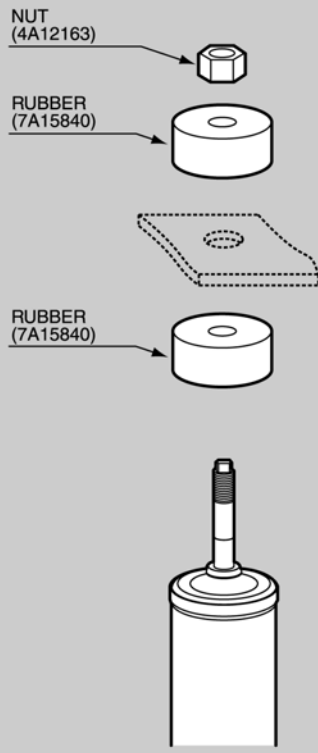
320



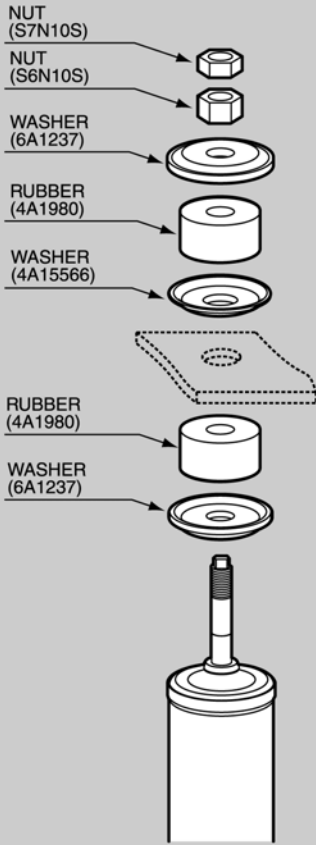
321



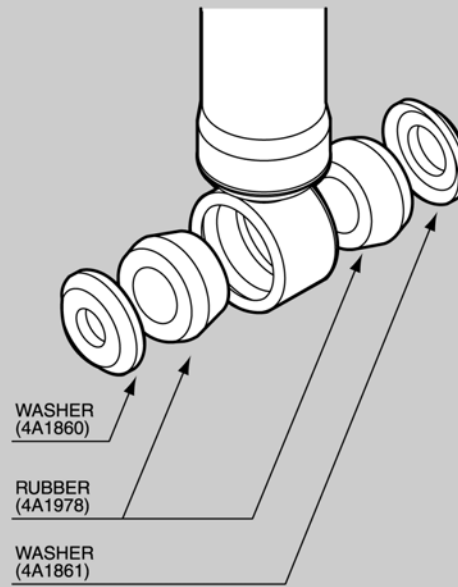
327



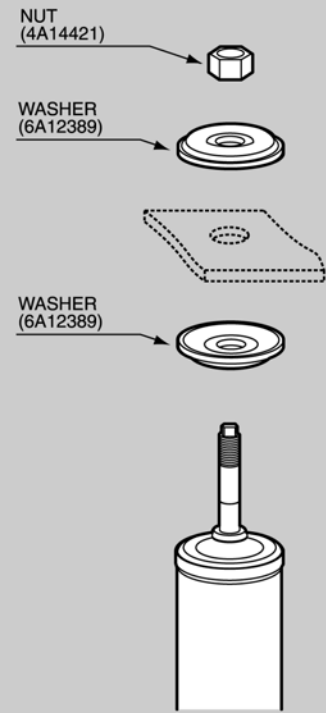
329



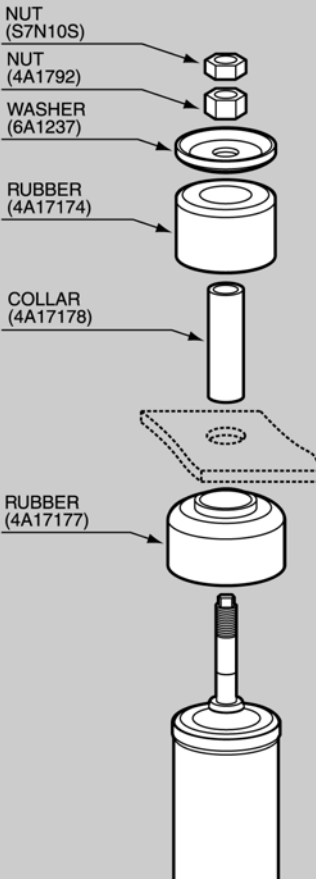
331



332



334



STOCK NO.

O.E.M. NO.

KIT

NEW ADDITIONS (Order by TOKICO NO.)

TOKICO NO.	MANUFACTURER	VEHICLE	TOKICO NO.	MANUFACTURER	VEHICLE	
3819	TOYOTA	DYNA/TOYOACE	161	U3813	NISSAN NAVARA	112
3820	TOYOTA	DYNA/TOYOACE	162	U3814	NISSAN NAVARA	112
3821	TOYOTA	DYNA/TOYOACE	161	U3823	HONDA CR-V	66
3822	TOYOTA	DYNA/TOYOACE	161	U3825	TOYOTA CROWN	159
4134	TOYOTA	DYNA/TOYOACE	161	U3826	TOYOTA CRESSIDA/MARK II/CHASER/CRESTA	158
B2244	TOYOTA	RAUM	172	U3828	TOYOTA COROLLA	152
		YARIS VERSO/FUN CARGO	177		COROLLA VERSO	152
B2292	HONDA	CITY	63	U3834	HONDA CR-V	66
B2293	HONDA	CITY	63	U3835	TOYOTA COROLLA	152
B2294	TOYOTA	OPA	171			
B2295	TOYOTA	OPA	171			
B2296	TOYOTA	RAUM	172			
B2297	TOYOTA	RAUM	172			
B2298	TOYOTA	bB/SCIONxB	140			
B2299	TOYOTA	COROLLA	151			
B2300	TOYOTA	COROLLA	151			
B3271	TOYOTA	COROLLA/ALTIS(ASIA/INDIA)	151			
B3272	TOYOTA	COROLLA/ALTIS(ASIA/INDIA)	151			
B3281	TOYOTA	IST	167			
B3282	TOYOTA	IST	167			
B3287	TOYOTA	COROLLA	152			
B3288	TOYOTA	COROLLA	152			
B3289	TOYOTA	COROLLA	152			
B3290	TOYOTA	COROLLA	152			
B3291	TOYOTA	PREMIO/ALLION	171			
B3292	TOYOTA	PREMIO/ALLION	171			
B3293	TOYOTA	IST	167			
B3294	TOYOTA	IST	167			
B3299	HONDA	CR-V	66			
B3300	HONDA	CR-V	66			
B3301	TOYOTA	COROLLA	152			
B3302	TOYOTA	COROLLA	152			
E20014	TOYOTA	CORONA/CALDINA	155			
E20015	HONDA	ACCORD/VIGOR	63			
E3407	MITSUBISHI	CANTER	92			
E3810	TOYOTA	HILUX SURF/4-RUNNER	166			
	TOYOTA	LAND CRUISER PRADO	170			
E3811	TOYOTA	LAND CRUISER PRADO	170			
E3815	NISSAN	NAVARA	112			
E3816	NISSAN	NAVARA	112			
E3817	NISSAN	NAVARA	112			
E3824	TOYOTA	RAV-4	173			
E4129	TOYOTA	LAND CRUISER	168			
E4130	TOYOTA	LAND CRUISER	168			
E4131	TOYOTA	LAND CRUISER	170			
E4132	TOYOTA	LAND CRUISER	170			
E4133	TOYOTA	LAND CRUISER	170			
U3805	TOYOTA	COROLLA/ALTIS(ASIA/INDIA)	151			

NEW ADDITIONS